

[54] FLUSH VALVE FOR TOILETS

3,702,012 11/1972 Bennett 4/392
4,002,321 1/1977 Schoepe et al. 4/378 X

[75] Inventors: Adolf Schoepe; Oscar R. Dufau, both of Fullerton, Calif.

Primary Examiner—James R. Largen
Attorney, Agent, or Firm—Freilich Hornbaker Rosen & Fernandez

[73] Assignee: Fluidmaster, Inc., Anaheim, Calif.

[**] Term: 14 Years

[57] CLAIM

[21] Appl. No.: 916,998

The ornamental design for a flush valve for toilets, as shown and described.

[22] Filed: Oct. 8, 1986

[52] U.S. Cl. D23/236

DESCRIPTION

[58] Field of Search D23/233-237,
D23/244-249; 4/378-404; 251/299

FIG. 1 is a perspective view taken from the top, one side and left end of a flush valve for toilets showing our new design;

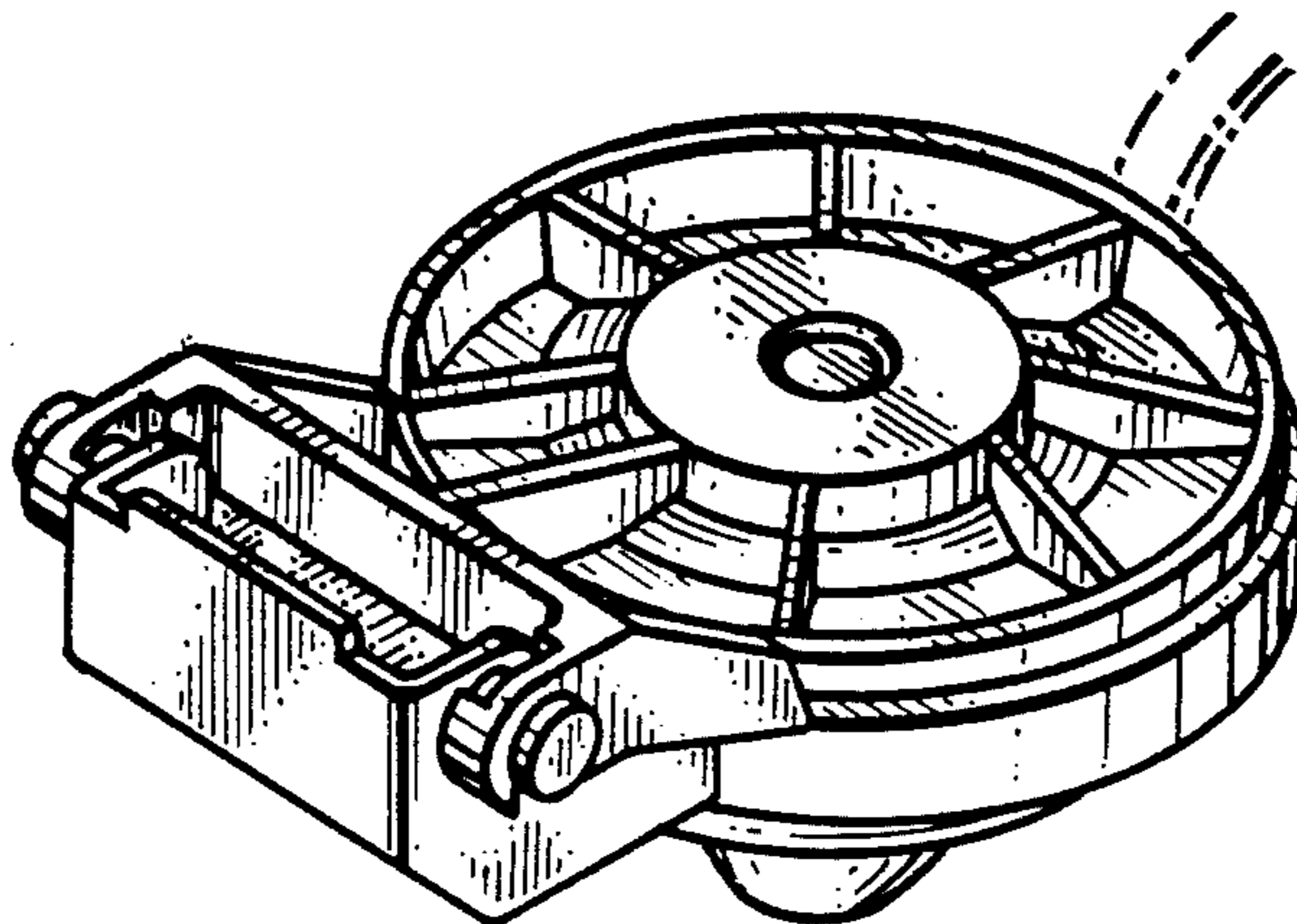
[56] References Cited

U.S. PATENT DOCUMENTS

D. 203,378	12/1965	Harold	D23/236
D. 238,424	1/1976	Schoepe	D23/236
D. 248,313	6/1978	Henry	D23/236
D. 248,404	7/1978	Henry	D23/236
2,741,775	4/1956	Schmidt	4/393
2,876,458	3/1959	Schmidt et al.	4/393
2,992,806	7/1961	Kanter et al.	4/393
3,167,787	2/1965	Connealy	4/393
3,369,259	2/1968	Harold	4/393

FIG. 2 is a top plan view thereof;
FIG. 3 is a right end elevational view thereof;
FIG. 4 is a bottom plan view thereof;
FIG. 5 is a left end elevational view thereof;
FIG. 6 is a side elevational view thereof, the opposite side being a mirror image of the side shown; and
FIG. 7 is another side elevational view thereof, showing the valve in an open position.

The fragmentary broken line showing of an actuating strap in FIGS. 1 through 7 is for purposes of illustration only and forms no part of the claimed design.



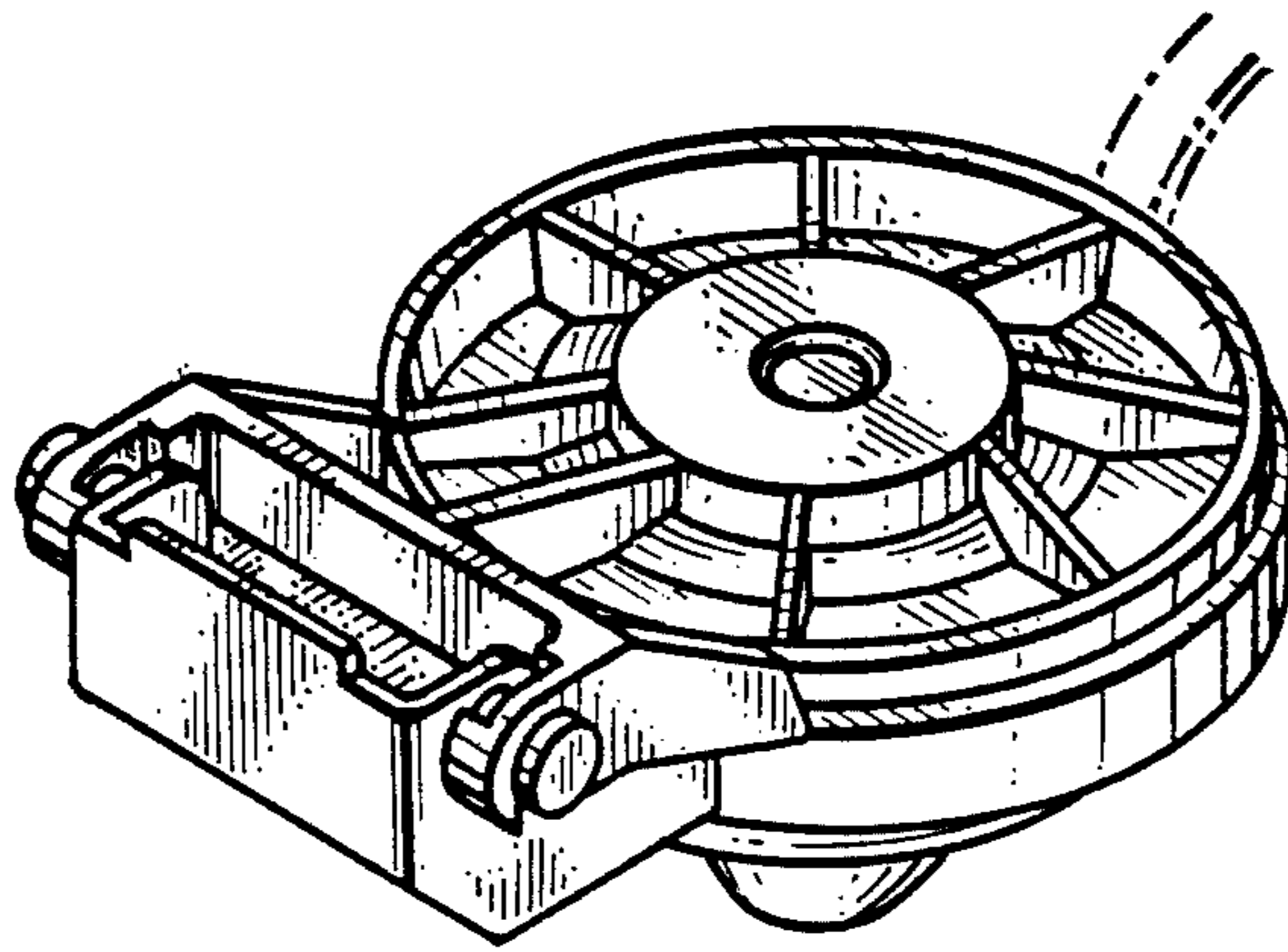


Fig. 1.

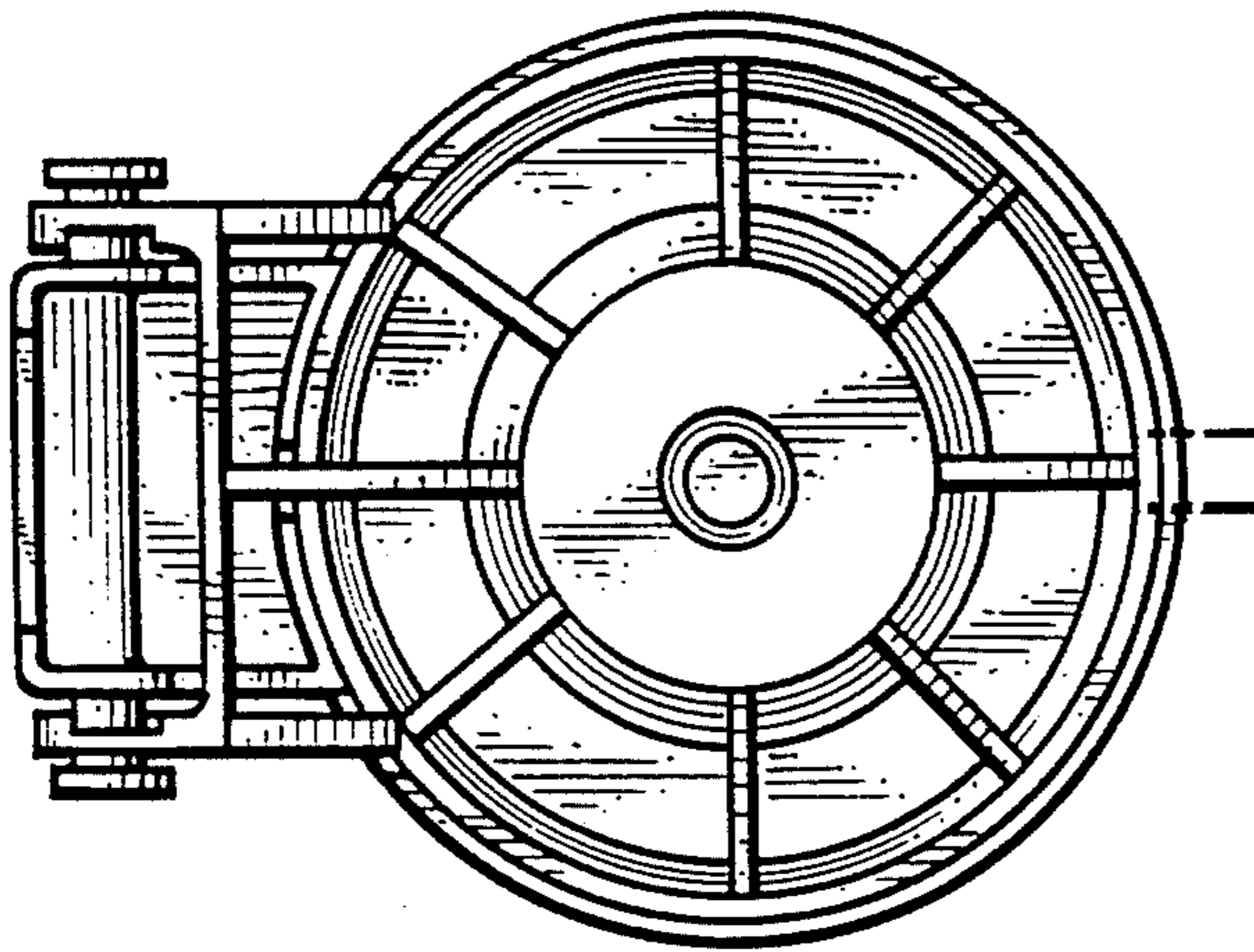


Fig. 2.

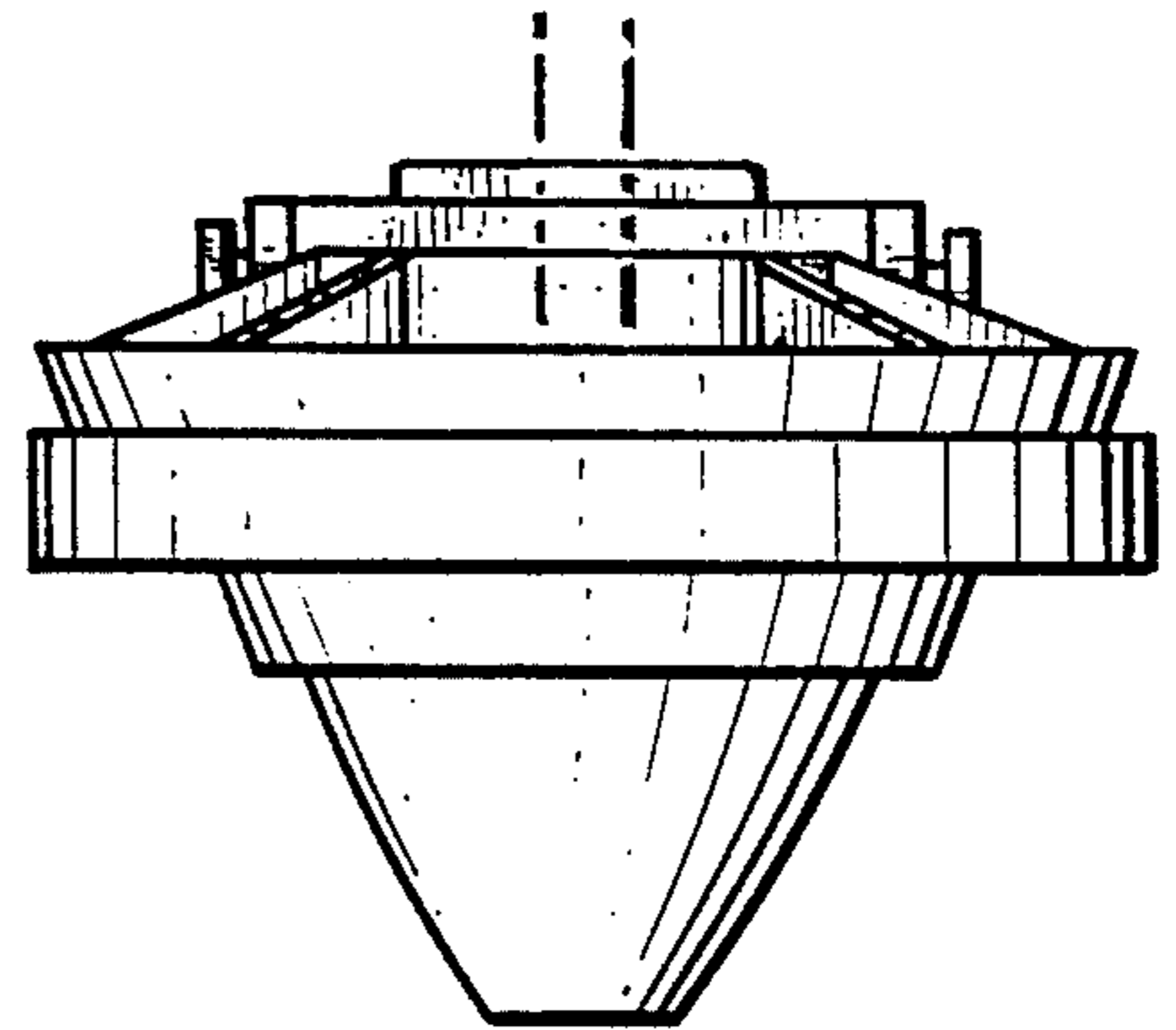


Fig. 3.

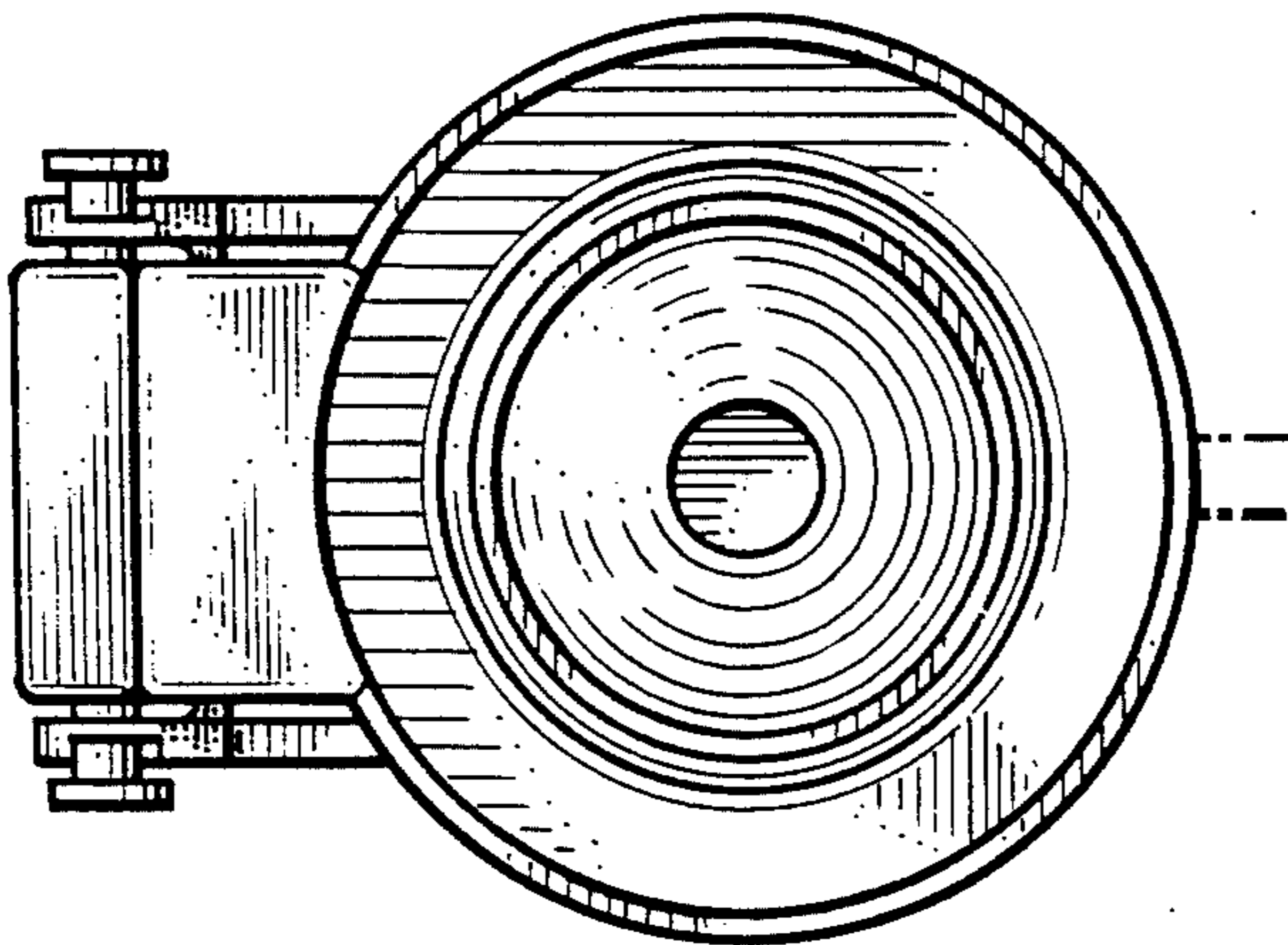


Fig. 4.

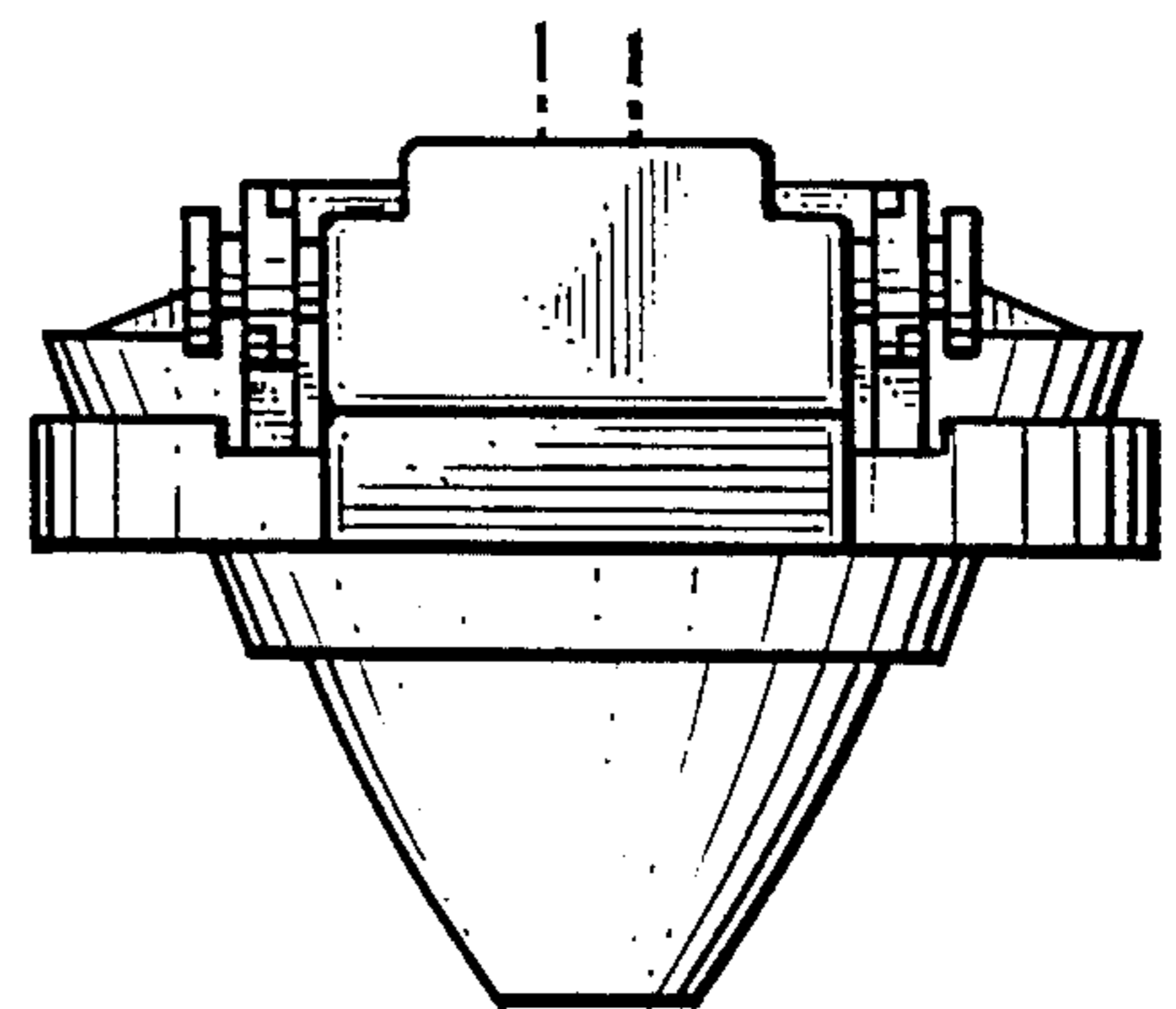


Fig. 5.

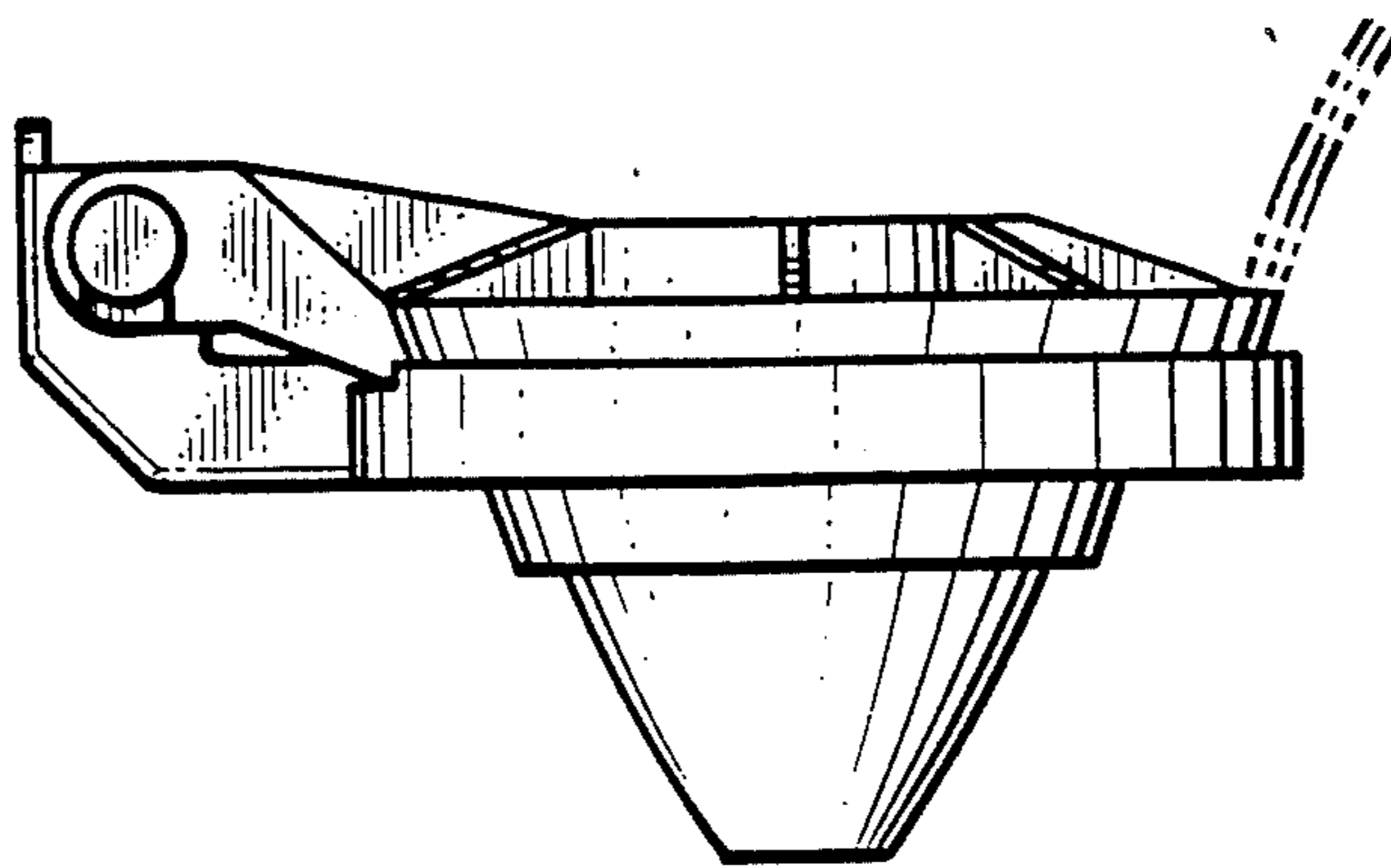


Fig. 6.

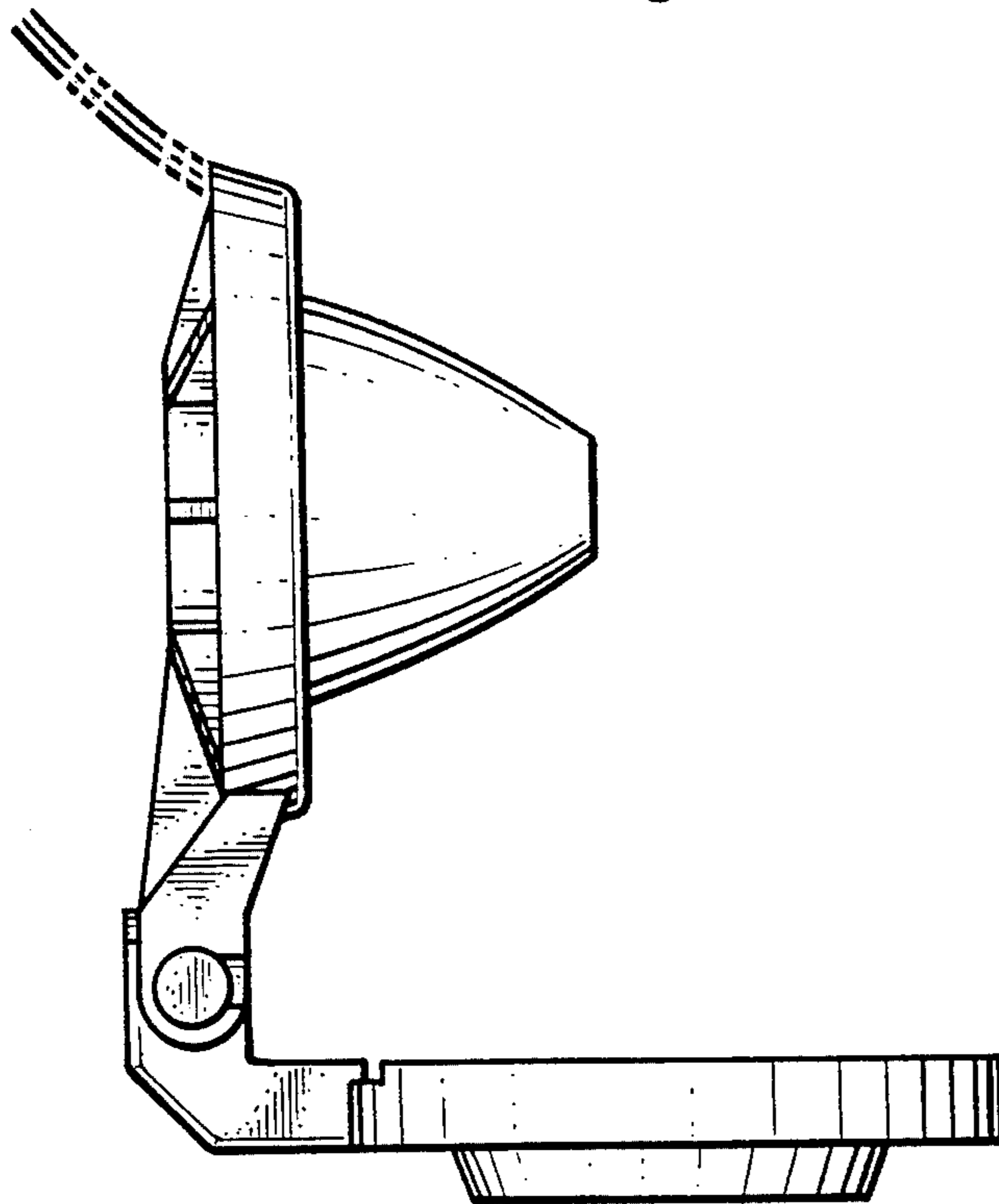


Fig. 7.