

United States Patent [19]

Hiraishi et al.

[11] Patent Number: **Des. 309,936**

[45] Date of Patent: **** Aug. 14, 1990**

[54] **FISHING REEL**

[75] Inventors: **Etsuo Hiraishi; Teruhisa Numata,**
both of Tokyo, Japan

[73] Assignee: **Ryobi Ltd., Hiroshima, Japan**

[**] Term: **14 Years**

[21] Appl. No.: **141,659**

[22] Filed: **Jan. 7, 1988**

[30] **Foreign Application Priority Data**

Jul. 21, 1987 [JP] Japan 62-29653
[52] U.S. Cl. **D22/141**
[58] Field of Search D22/141, 140; 242/230,
242/231, 232

[56]

References Cited

U.S. PATENT DOCUMENTS

D. 257,445 10/1980 Sakamoto et al. D22/141
D. 257,688 12/1980 Doi et al. D22/141
D. 300,766 4/1989 Inuma D22/141

Primary Examiner—A. Hugo Word
Assistant Examiner—Doris V. Coles
Attorney, Agent, or Firm—Sughrue, Mion, Zinn,
Macpeak & Seas

[57]

CLAIM

The ornamental design for a fishing reel, as shown.

DESCRIPTION

FIG. 1 is a left side elevational view of a fishing reel showing our new design;
FIG. 2 is a front elevational view thereof;
FIG. 3 is a right side elevational view thereof;
FIG. 4 is a top plan view thereof;
FIG. 5 is a rear elevational view thereof; and
FIG. 6 is a bottom plan view thereof.

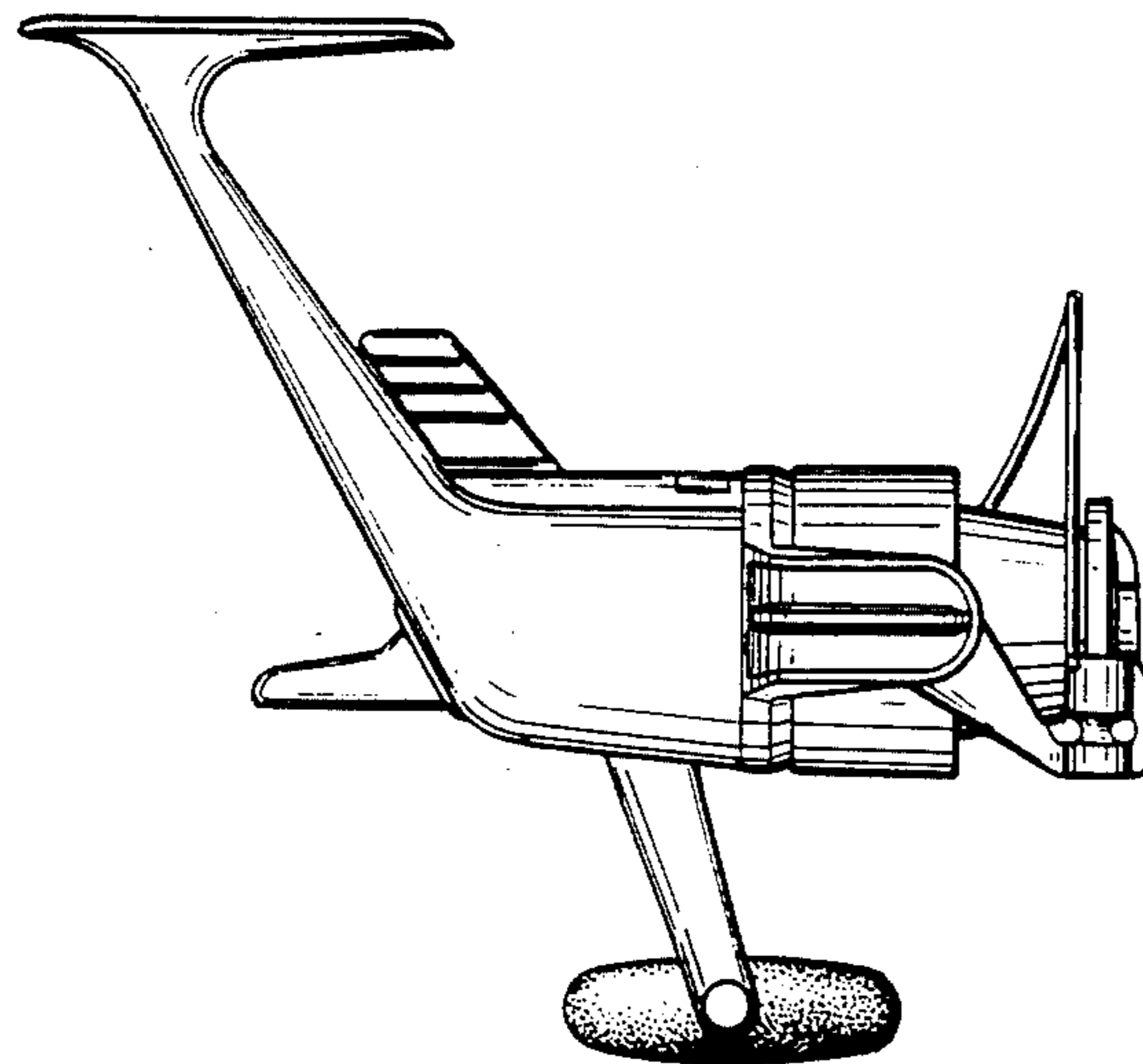


FIG. 1

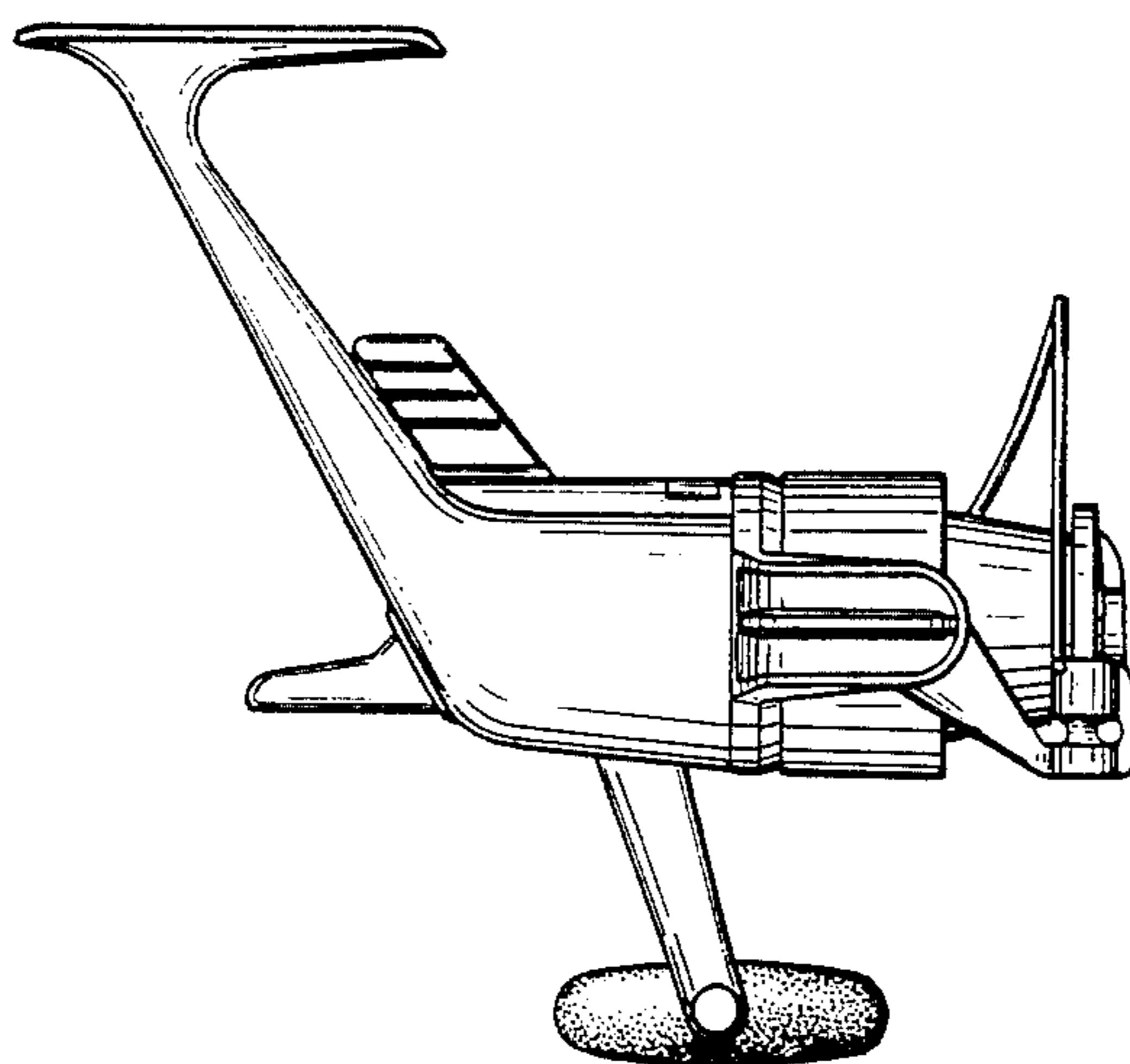


FIG. 2

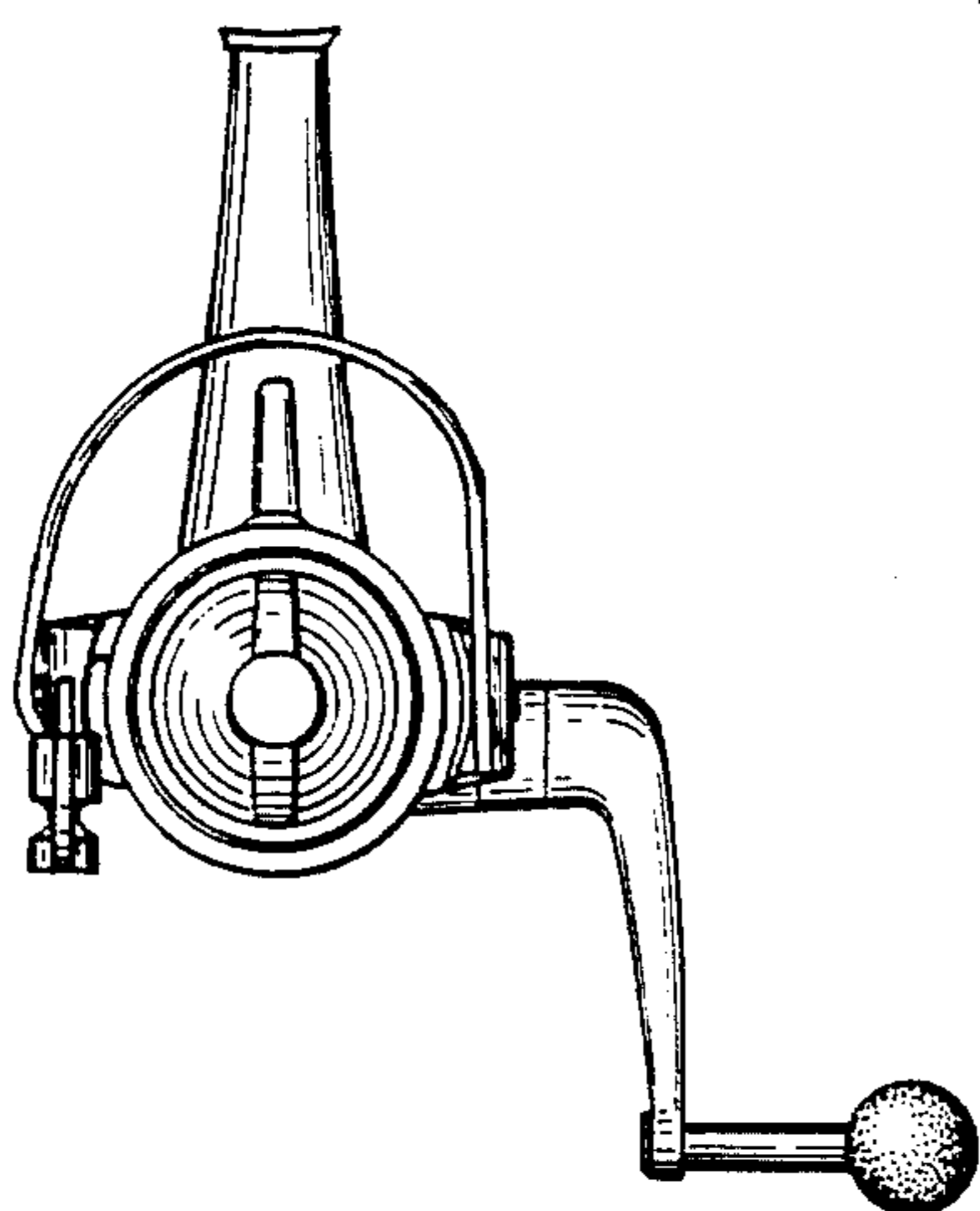


FIG. 3

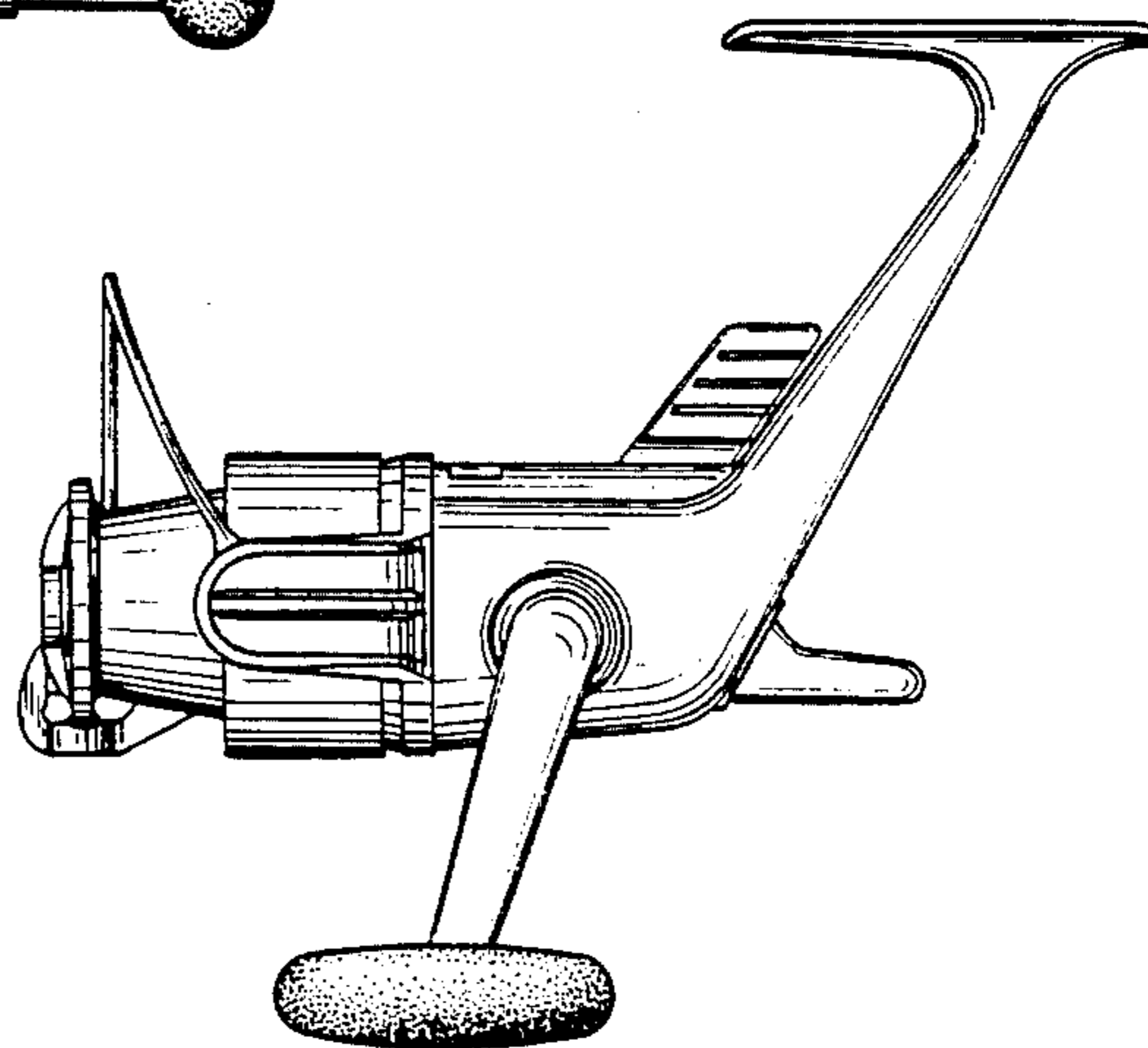


FIG. 4

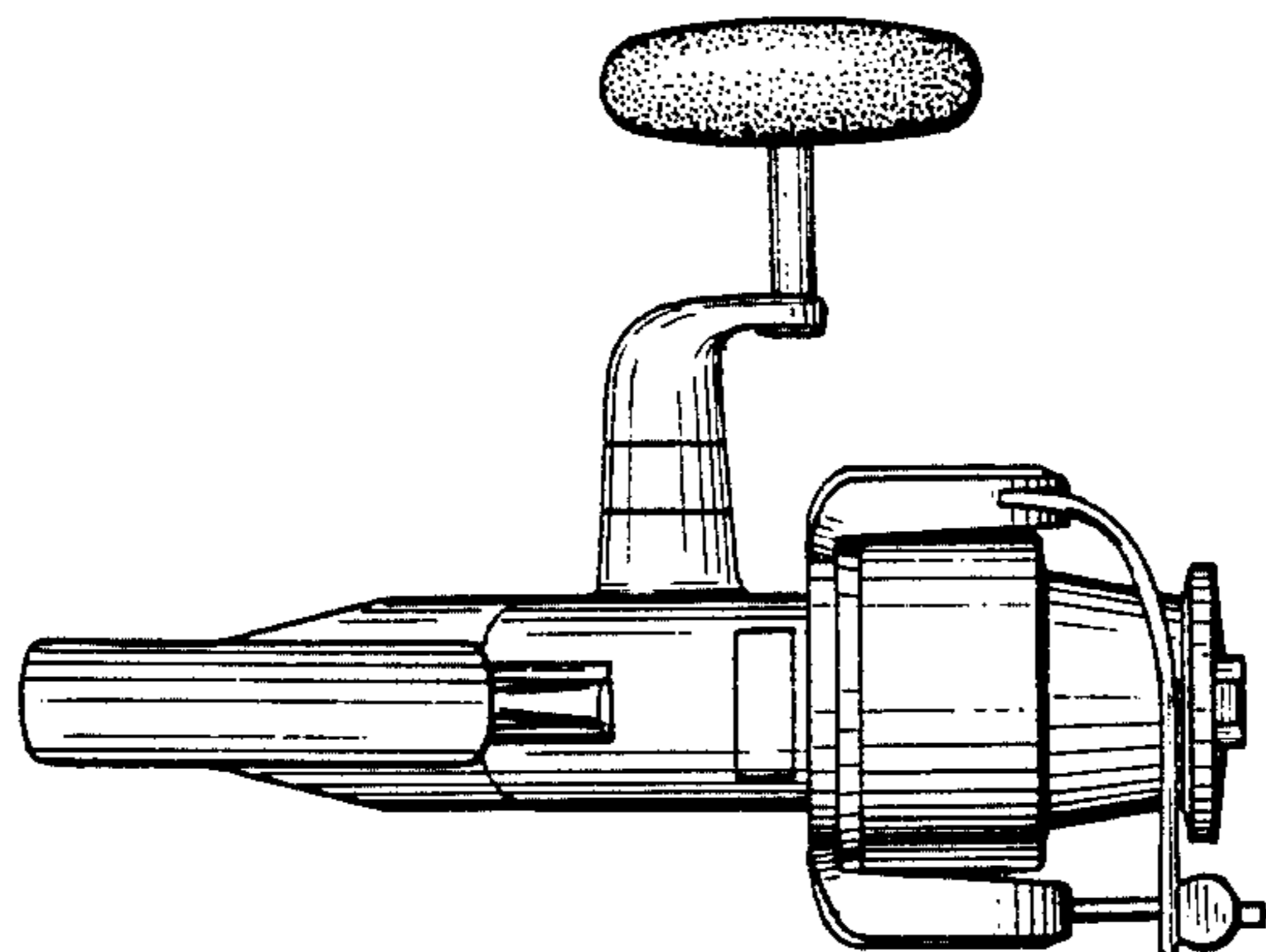


FIG. 5

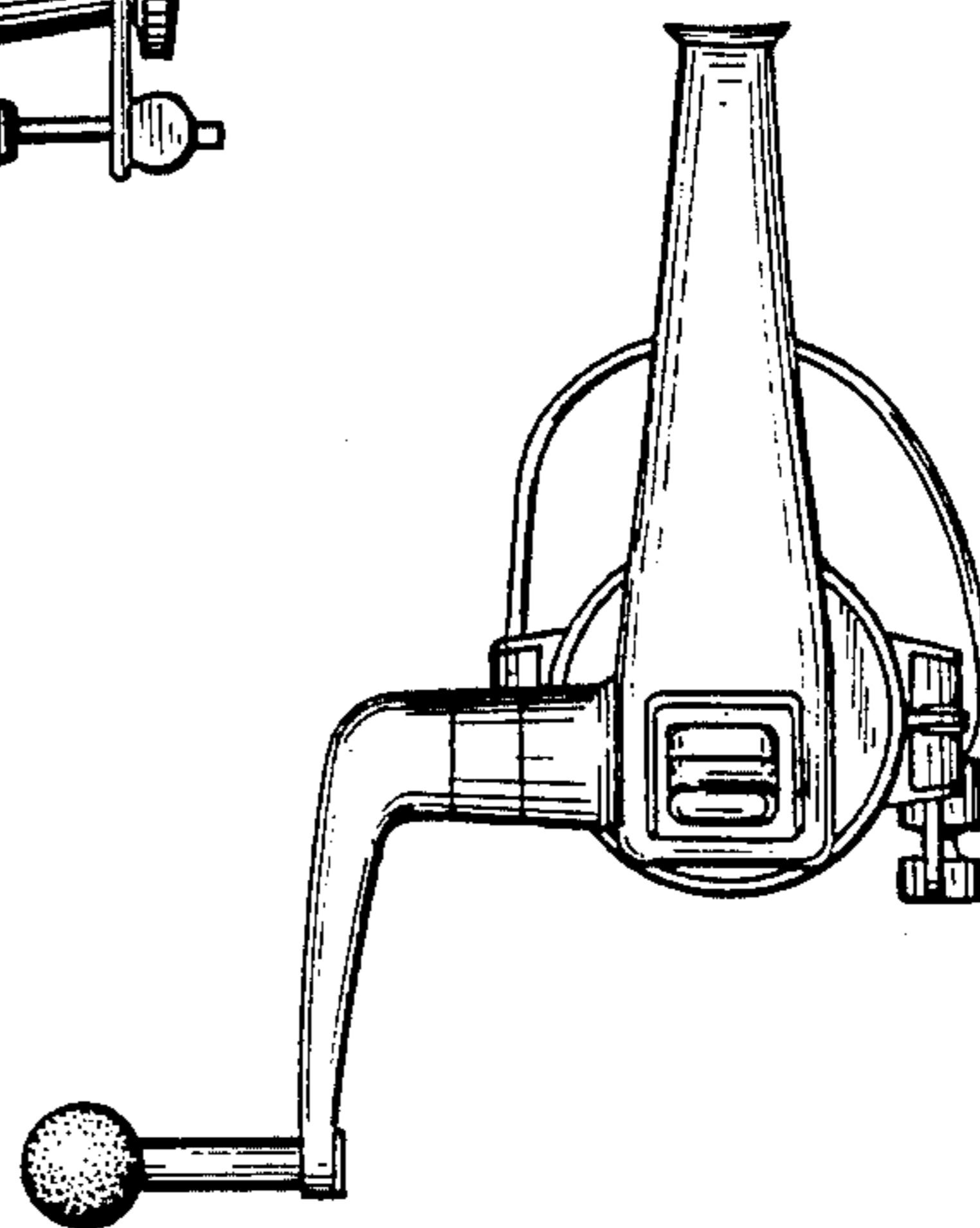


FIG. 6

