

[54] **GOLF CLUB HEAD**

[76] **Inventor: Kingso C. Lin**, 1632 Tower Ct.,
Newark, Ohio 43055

[**] **Term: 14 Years**

[21] **Appl. No.: 945,326**

[22] **Filed: Dec. 22, 1986**

[52] **U.S. Cl. D21/220**

[58] **Field of Search D21/214-220;**
273/167-175, 77 R, 163 R

[56] **References Cited**

U.S. PATENT DOCUMENTS

D. 276,644 12/1984 Solheim D21/220

OTHER PUBLICATIONS

Golf World, Nov. 11, 1983, p. 26, center, American
Sand Iron, top center, Third Wedge.

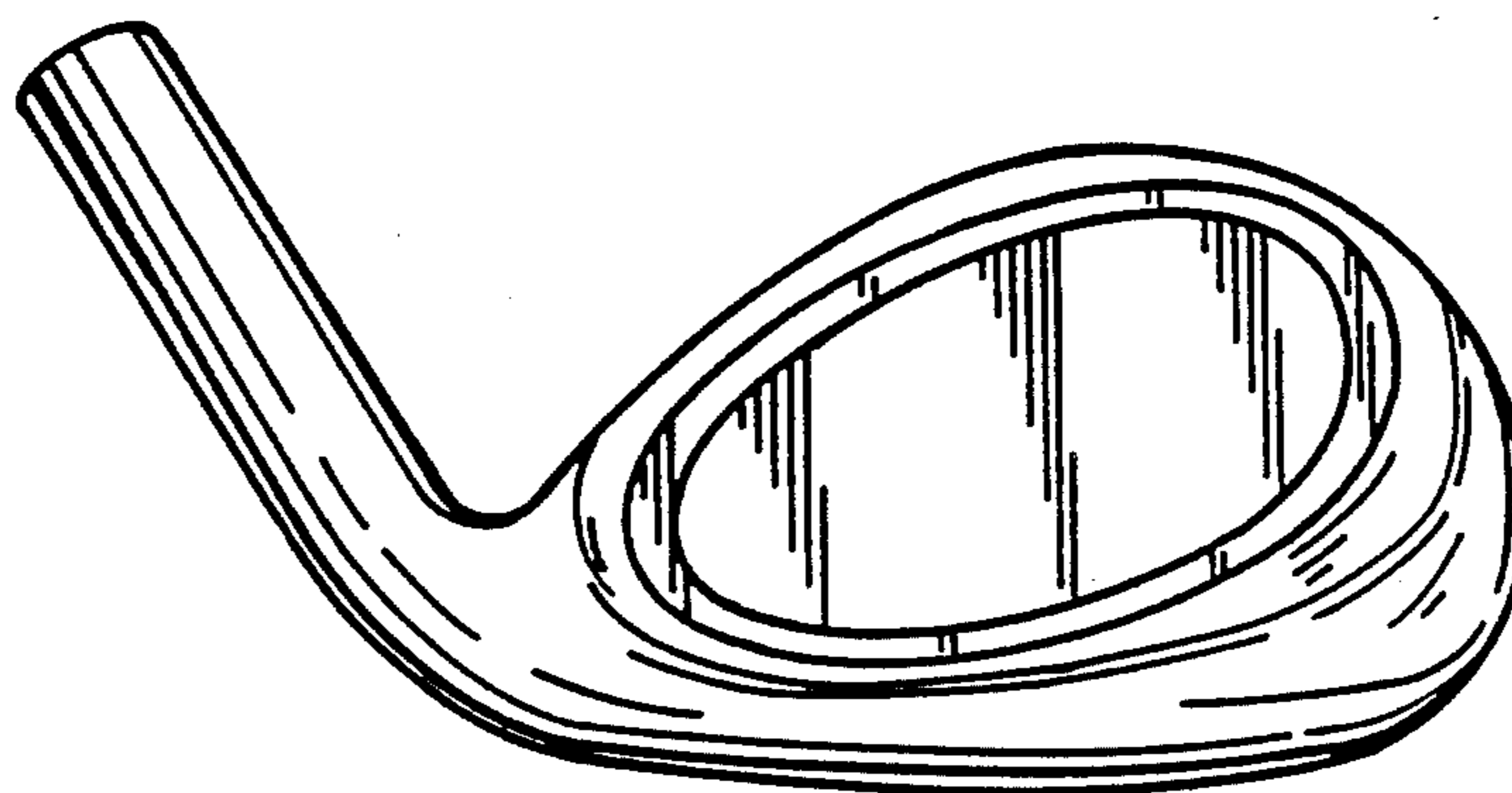
Primary Examiner—Melvin B. Feifer
Attorney, Agent, or Firm—Sidney W. Millard

[57] **CLAIM**

The ornamental design for a golf club head, as shown
and described.

DESCRIPTION

FIG. 1 is a front elevational view of a golf club head
showing my new design;
FIG. 2 is a right-hand side elevational view of FIG. 1.
FIG. 3 is a left-hand elevational view of FIG. 1.
FIG. 4 is a rear elevational view of FIG. 1.
FIG. 5 is a top view of FIG. 1 and;
FIG. 6 is a bottom view of FIG. 1.



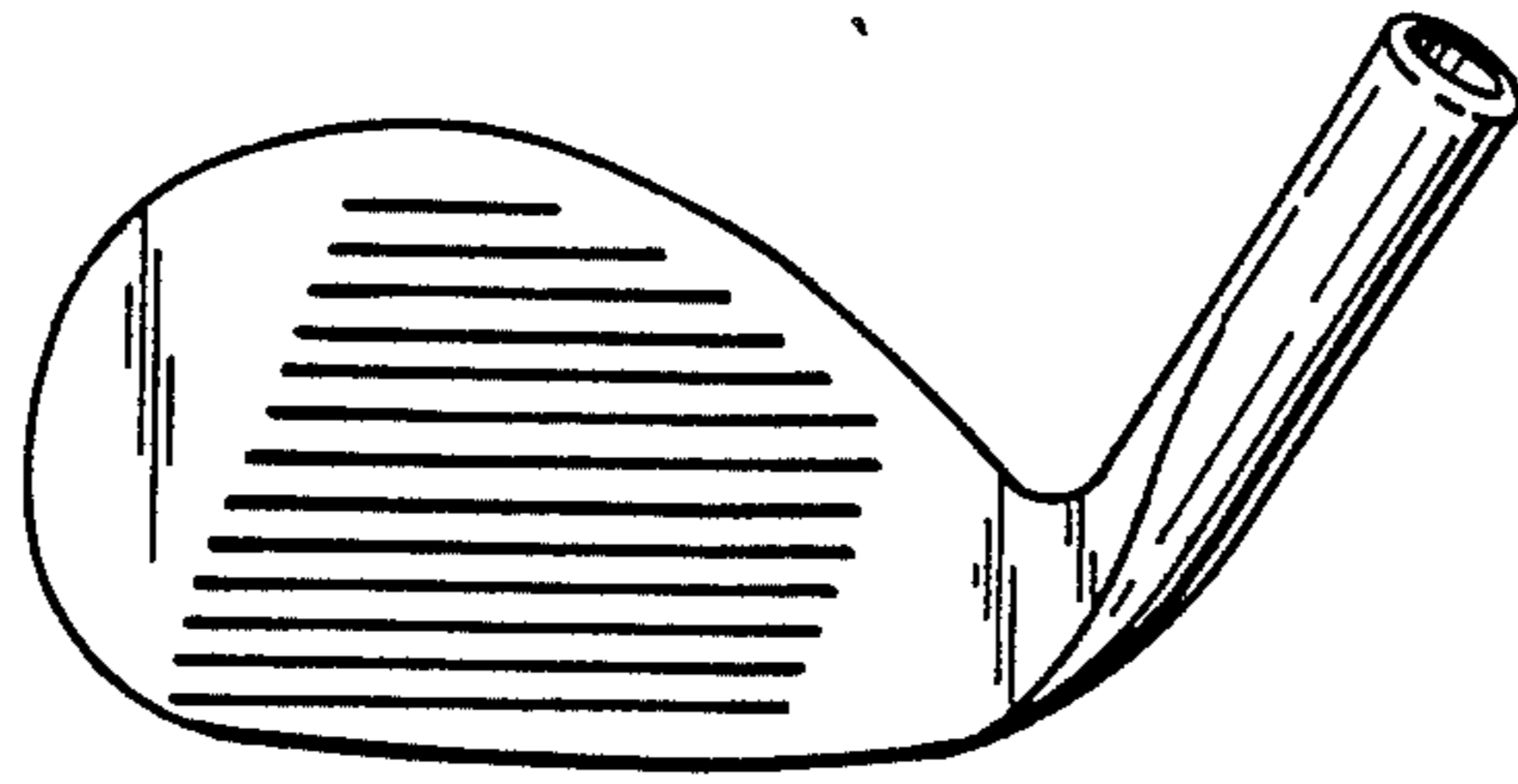


FIG. 1

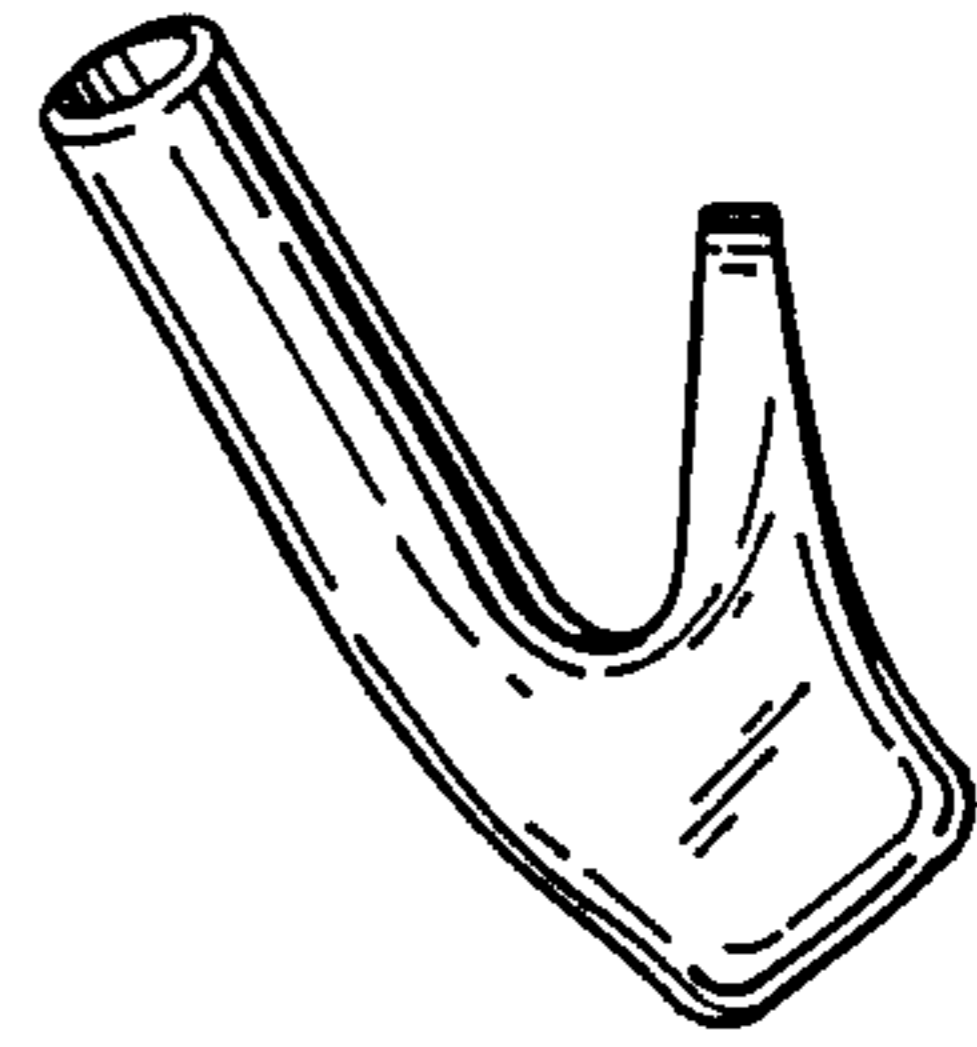


FIG. 2

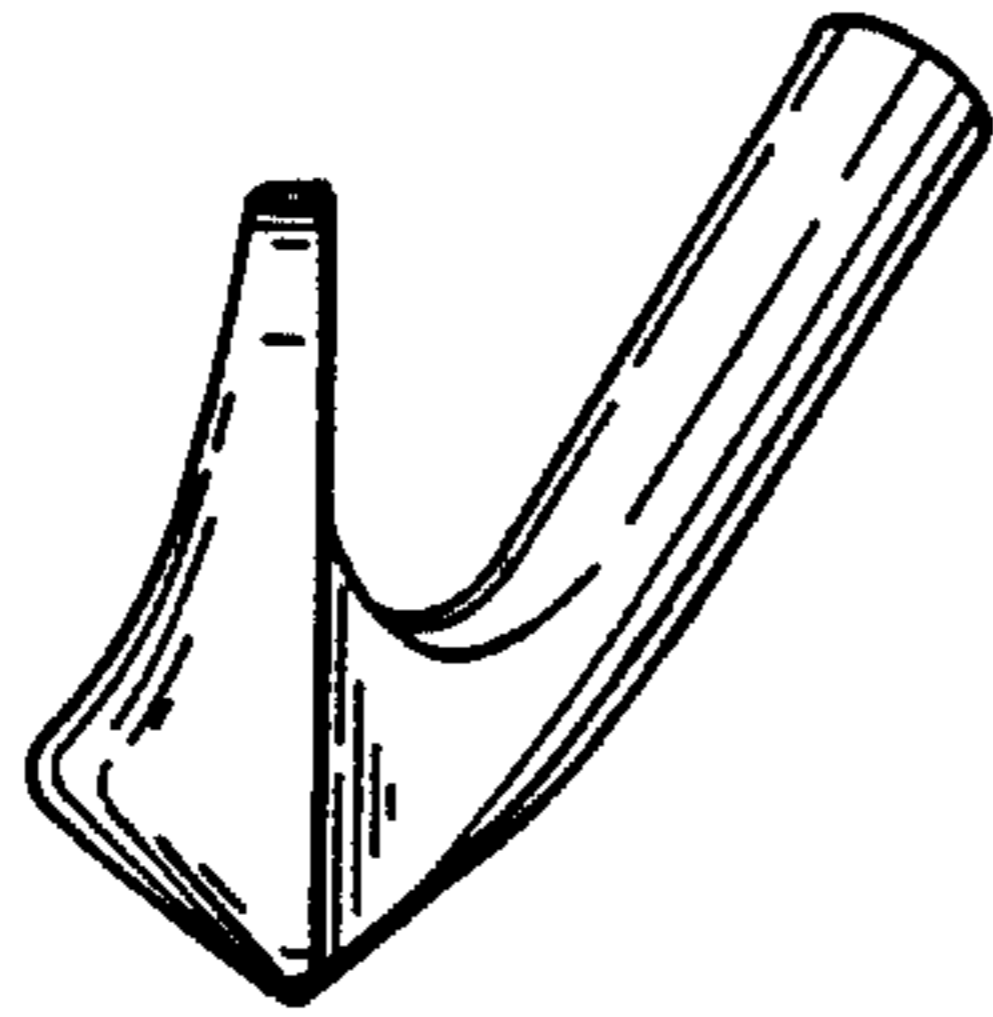


FIG. 3

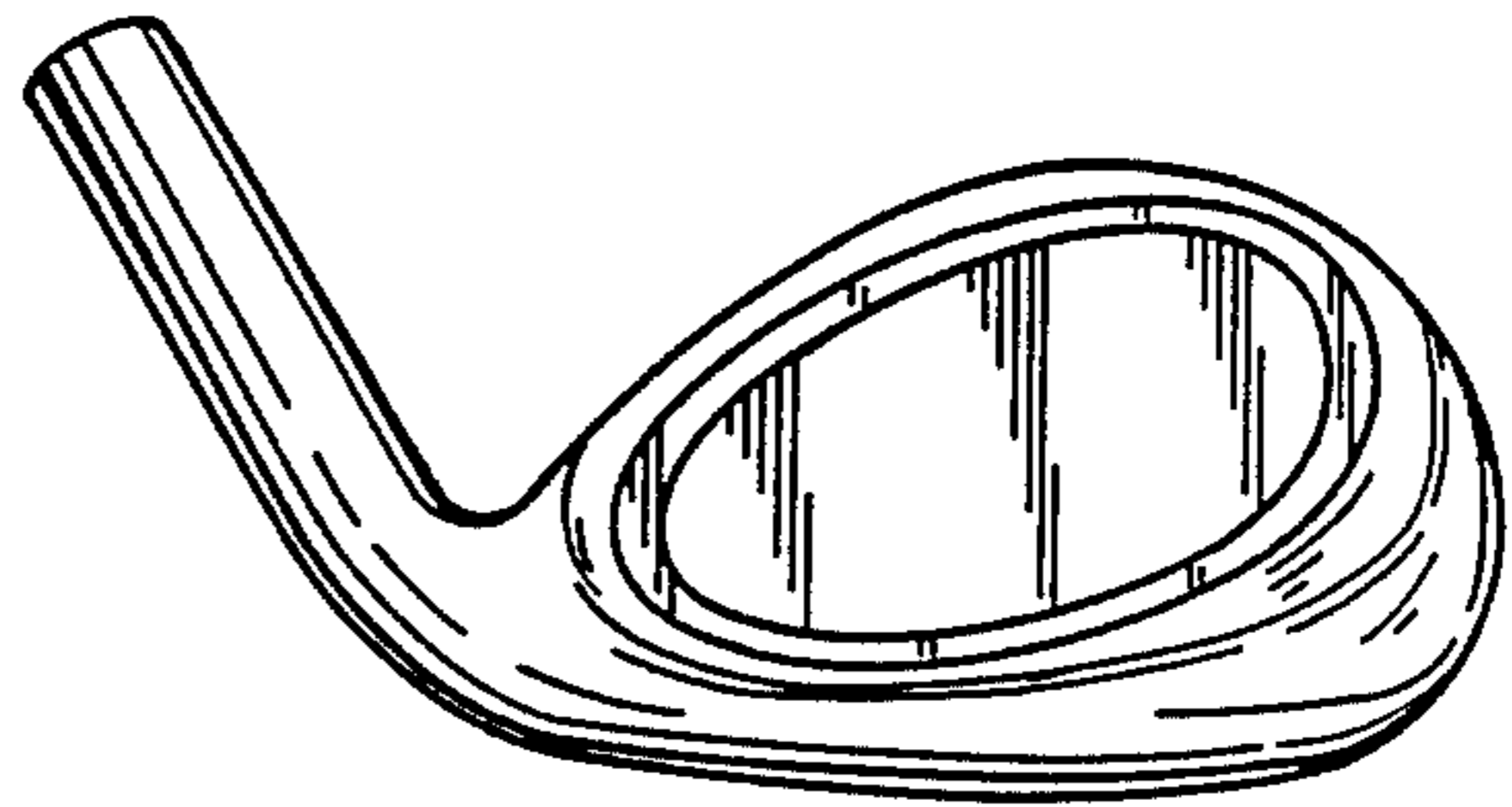


FIG. 4

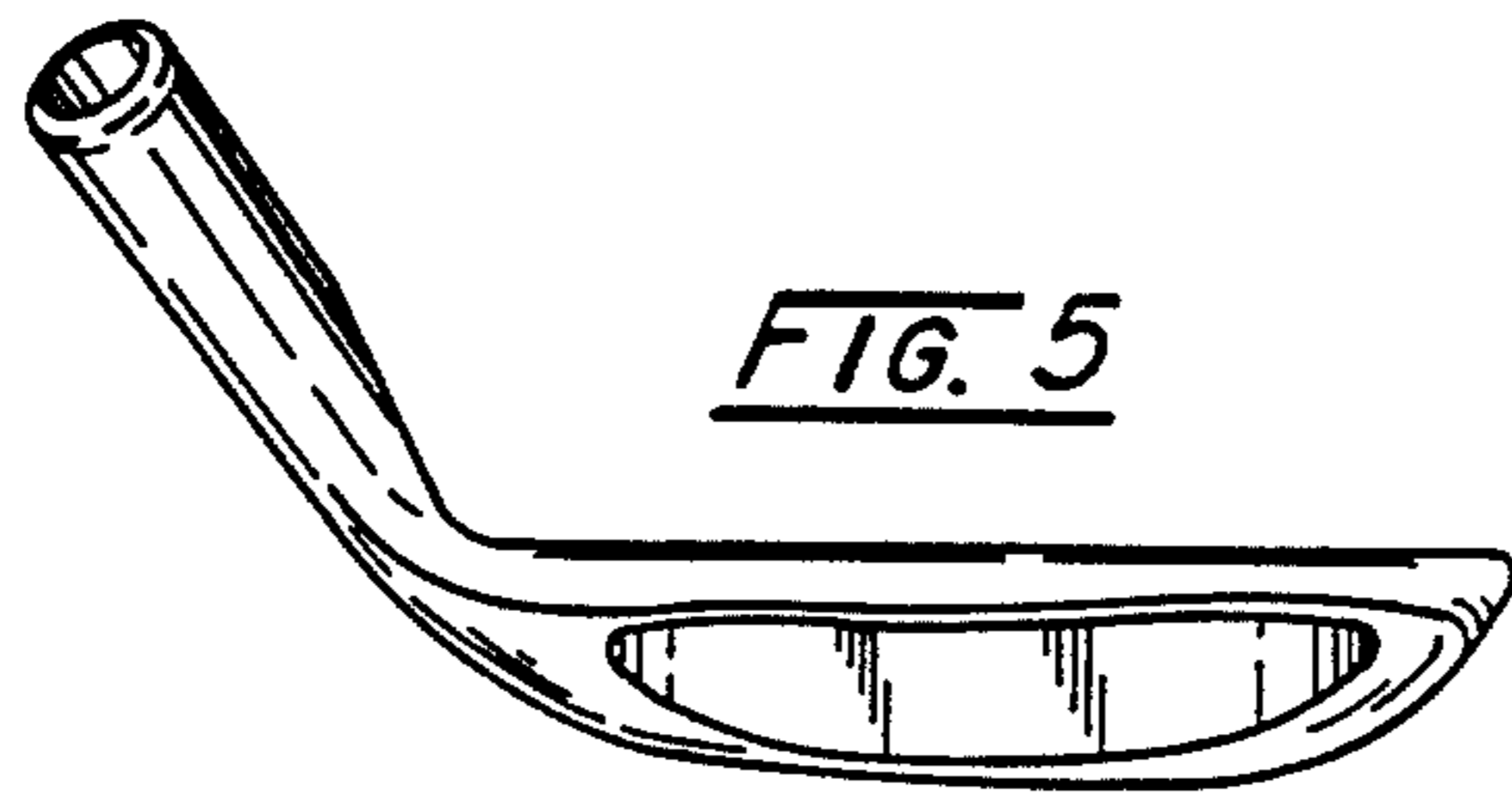


FIG. 5

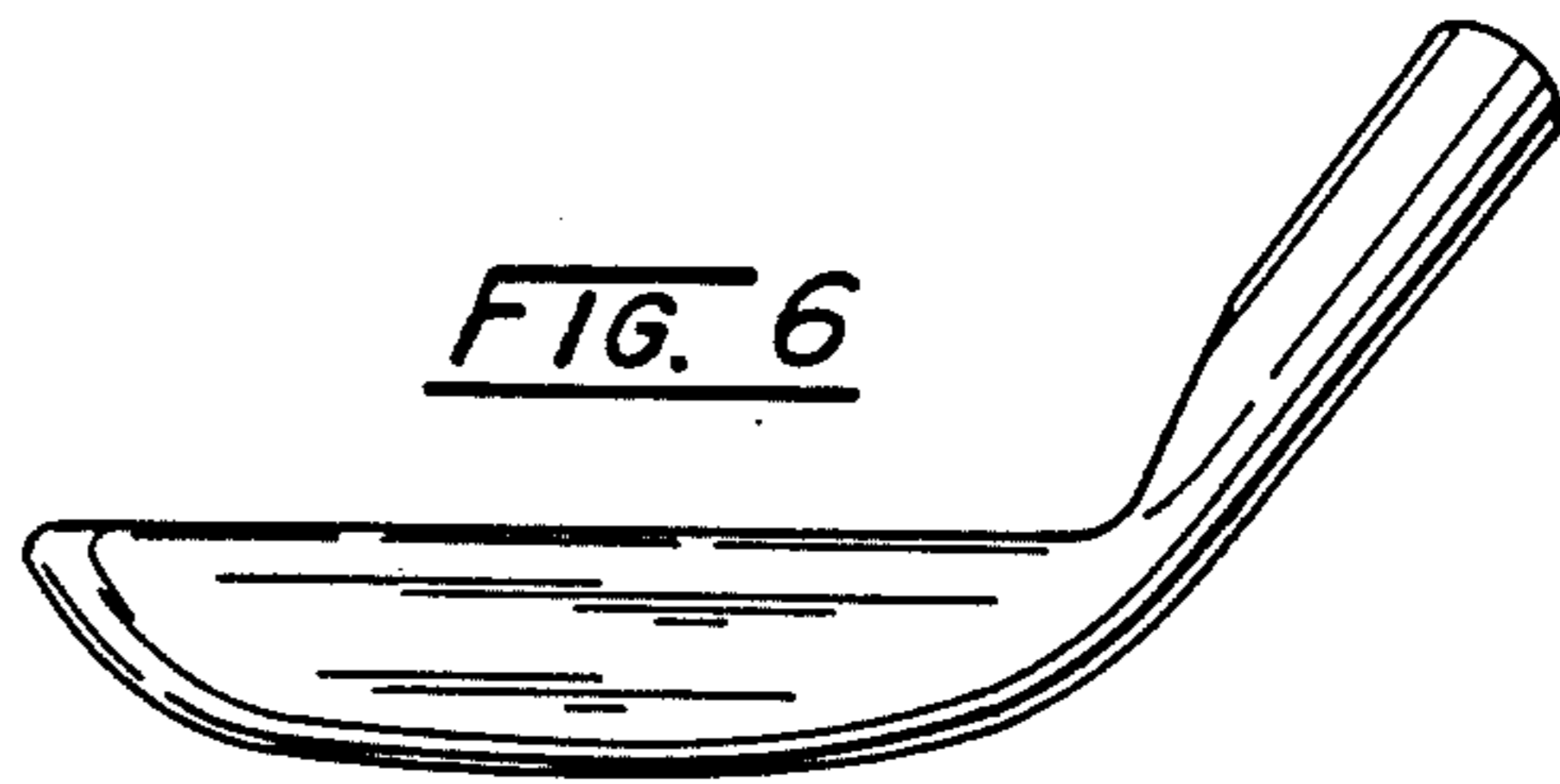


FIG. 6