

United States Patent [19]

Rivera, Jr. et al.

[11] Patent Number: **Des. 309,932**

[45] Date of Patent: **** Aug. 14, 1990**

[54] **STAND FOR A DOLL OR SIMILAR ARTICLE**

[75] Inventors: **Hector Rivera, Jr.**, Chicago; **Philip P. Kaiser**; **Philip P. Kaiser, Jr.**, both of Northbrook, all of Ill.

[73] Assignee: **Kaiser Manufacturing Co.**, Chicago, Ill.

[**] Term: **14 Years**

[21] Appl. No.: **880,330**

[22] Filed: **Jun. 30, 1986**

[52] U.S. Cl. **D21/189**

[58] Field of Search **D21/189; D7/70; D8/354, D8/373; 248/176, 346, 107; 446/268; D24/48**

[56] **References Cited**

U.S. PATENT DOCUMENTS

18,419 11/1889 Schilling 446/268
666,227 1/1901 Bradbury 248/107

2,269,609 1/1942 Taylor 248/107

FOREIGN PATENT DOCUMENTS

8203702 4/1984 Netherlands 248/176

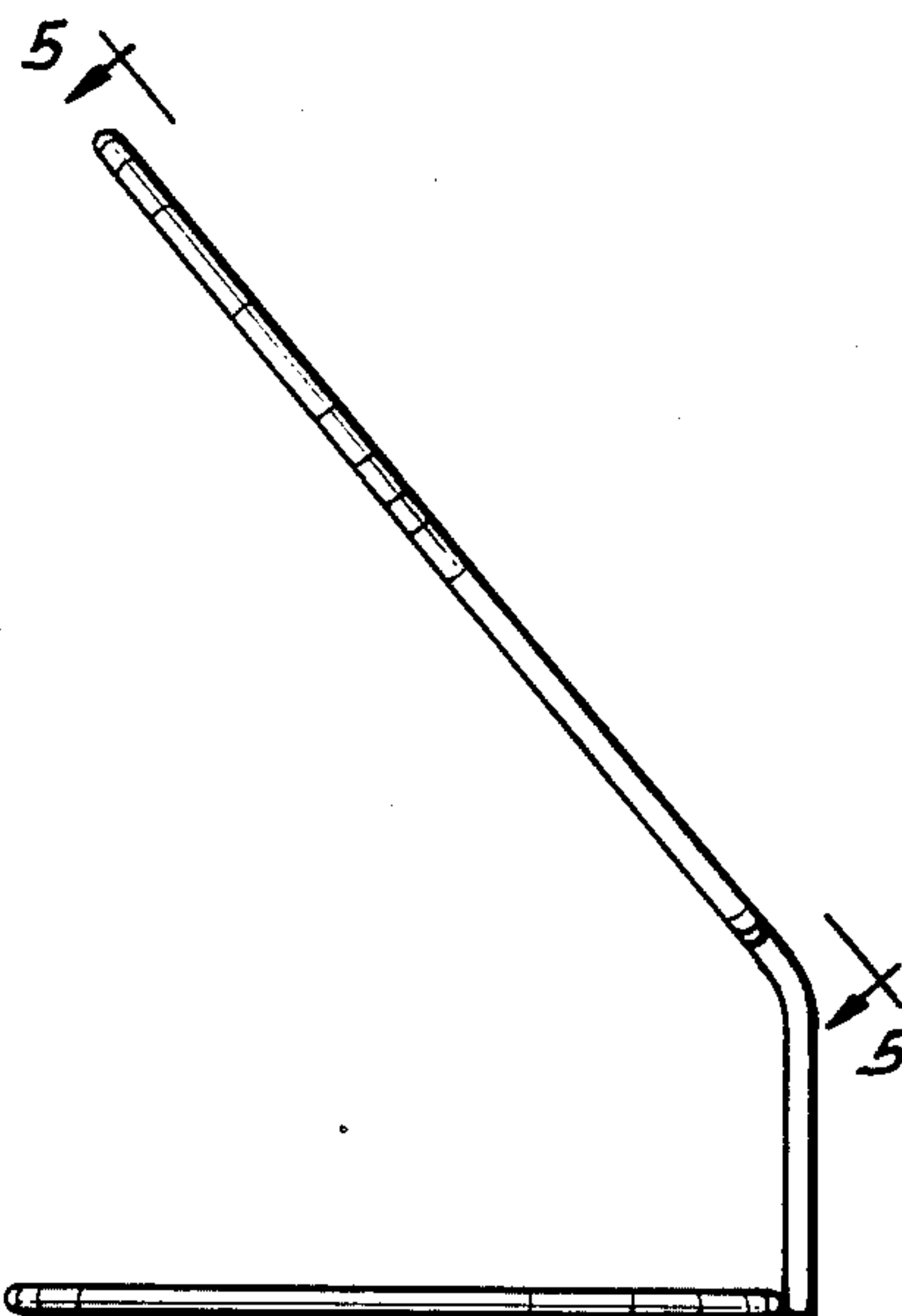
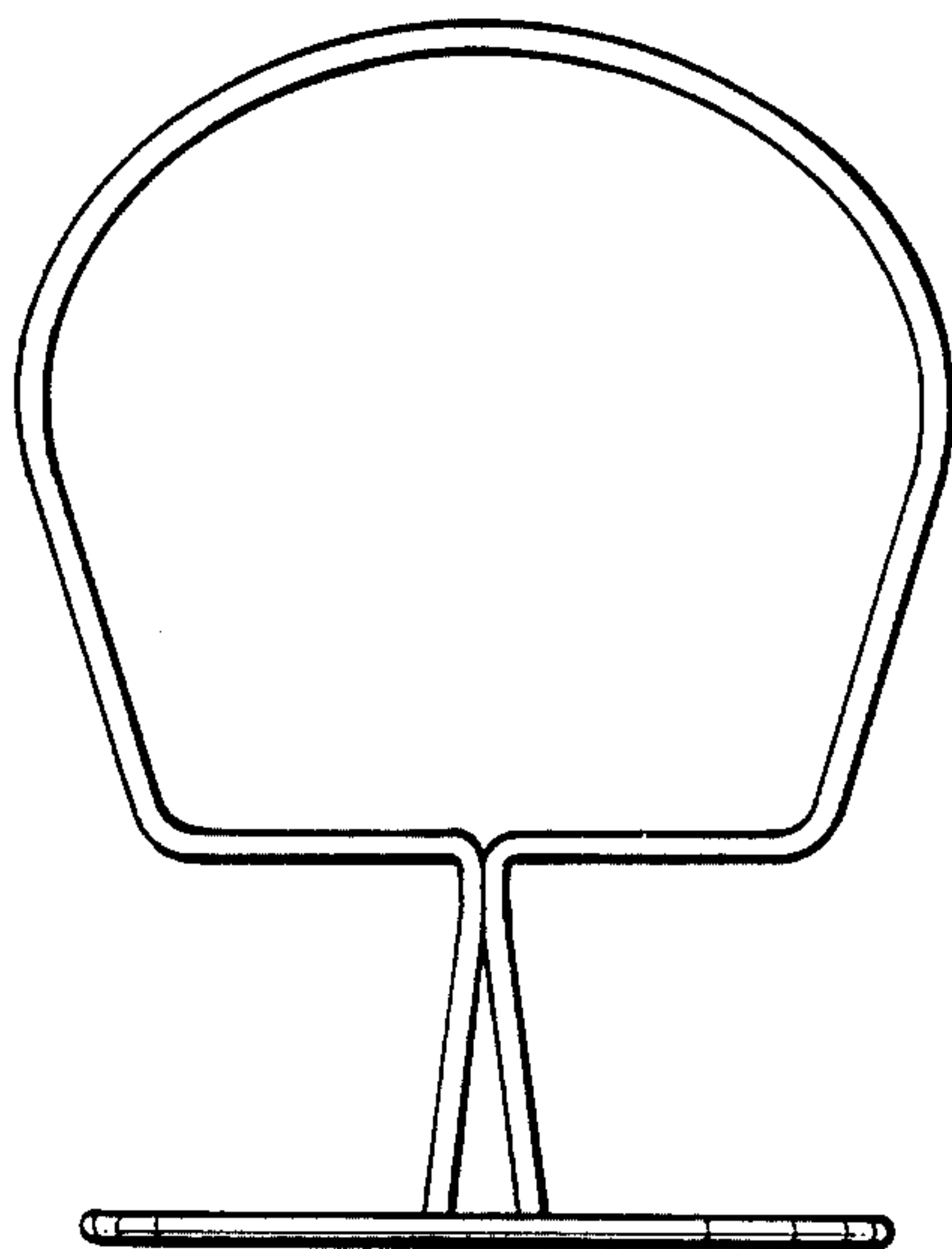
Primary Examiner—Melvin B. Feifer
Assistant Examiner—W. Krawczewicz
Attorney, Agent, or Firm—Eugene I. Snyder

[57] **CLAIM**

The ornamental design for a stand for a doll or similar article, as shown.

DESCRIPTION

FIG. 1 is a front view of a stand for a doll or similar article showing my new design; FIG. 2 is a rear view thereof; FIG. 3 is a side elevational view thereof; FIG. 4 is a top plan view thereof; and FIG. 5 is a fragmentary view thereof taken from 5—5 in FIG. 3.



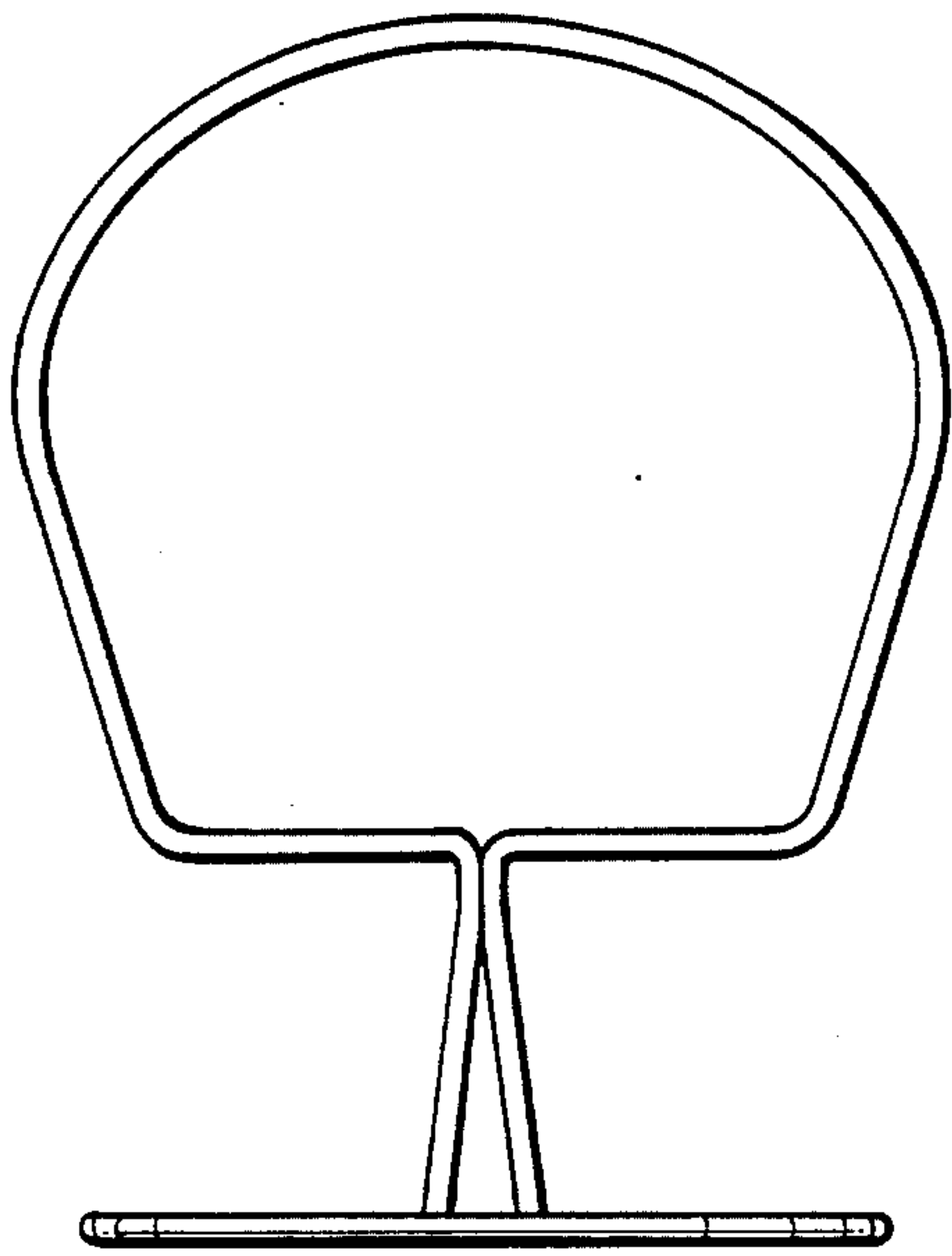


FIG. 1

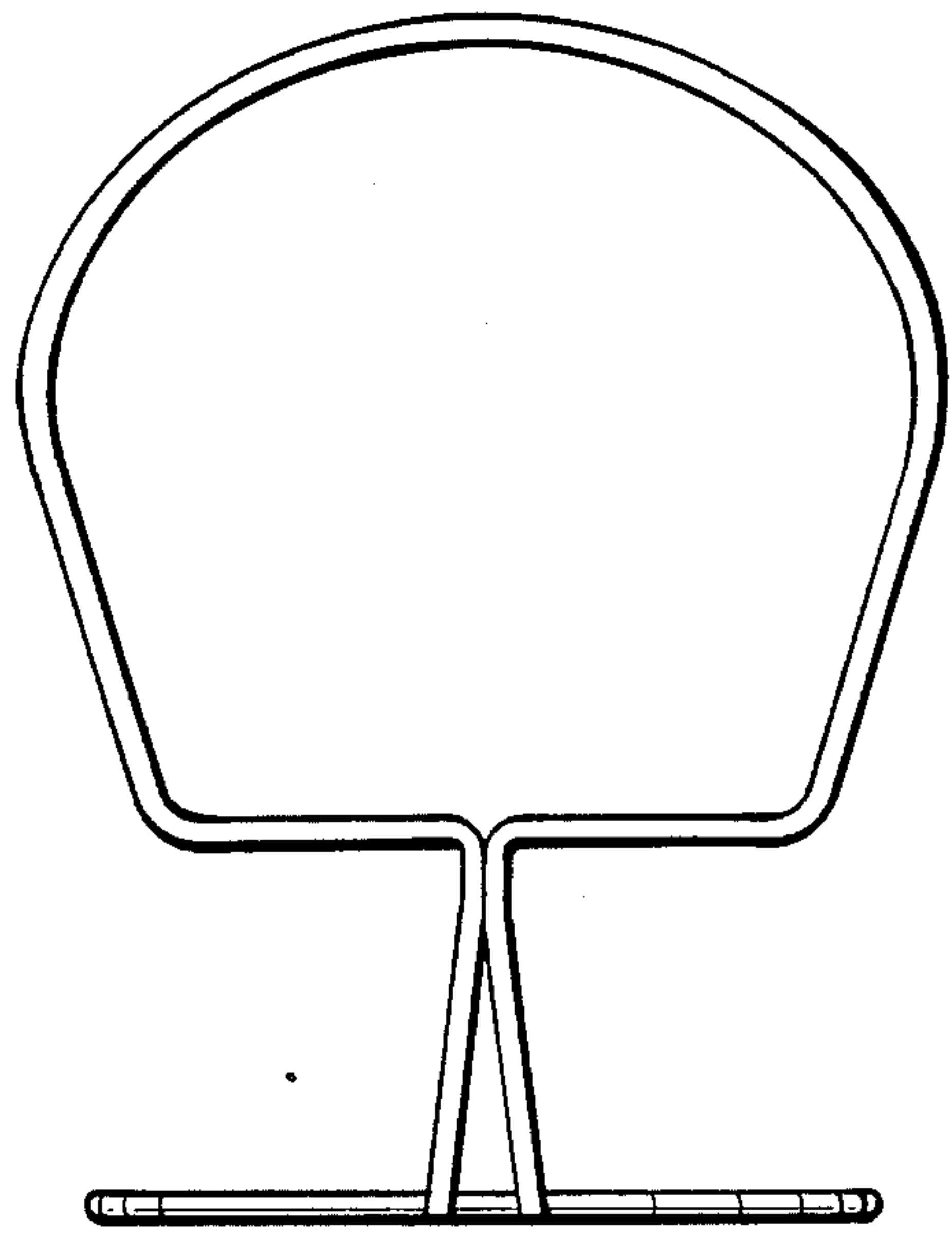


FIG. 2

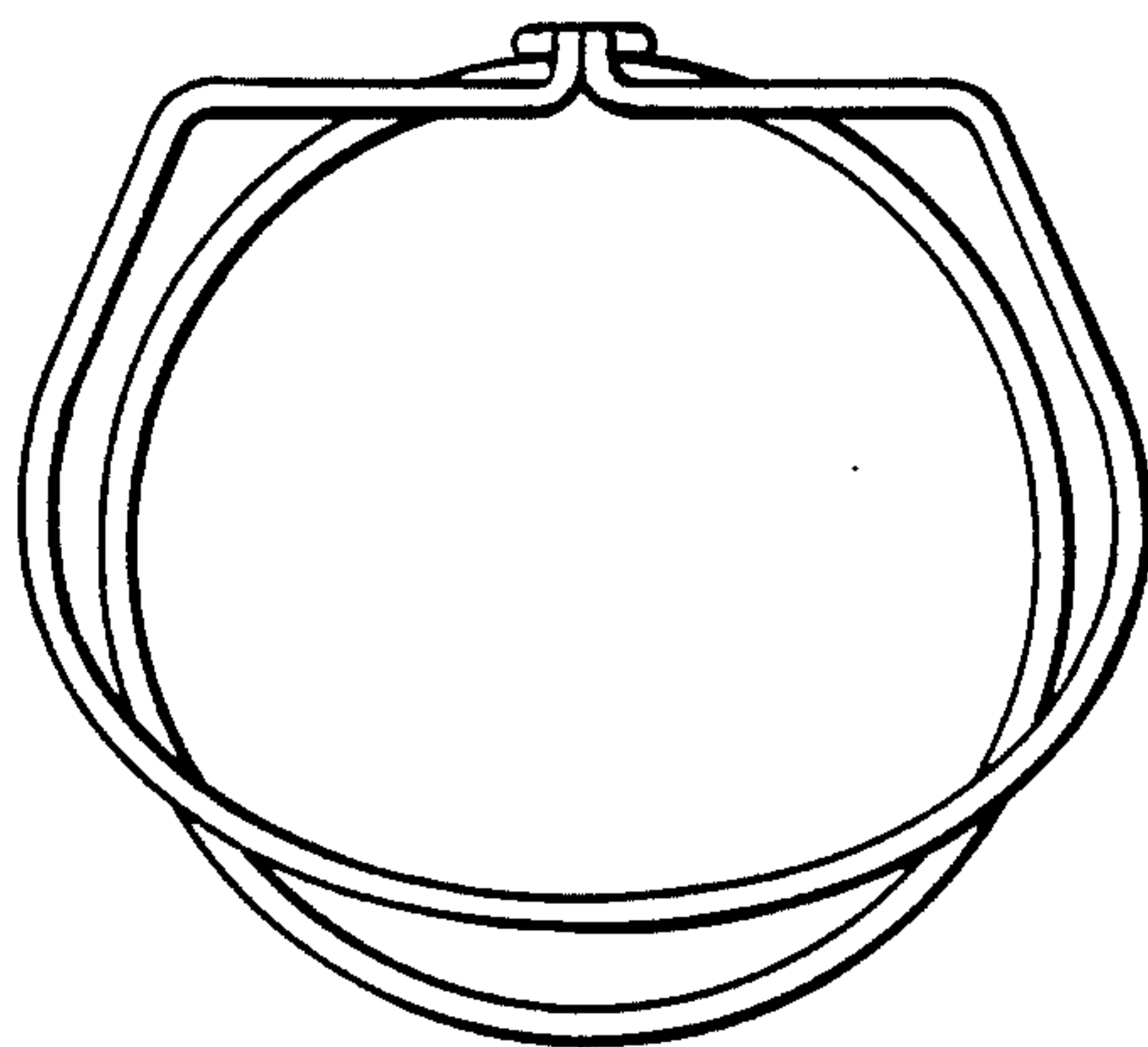


FIG. 4

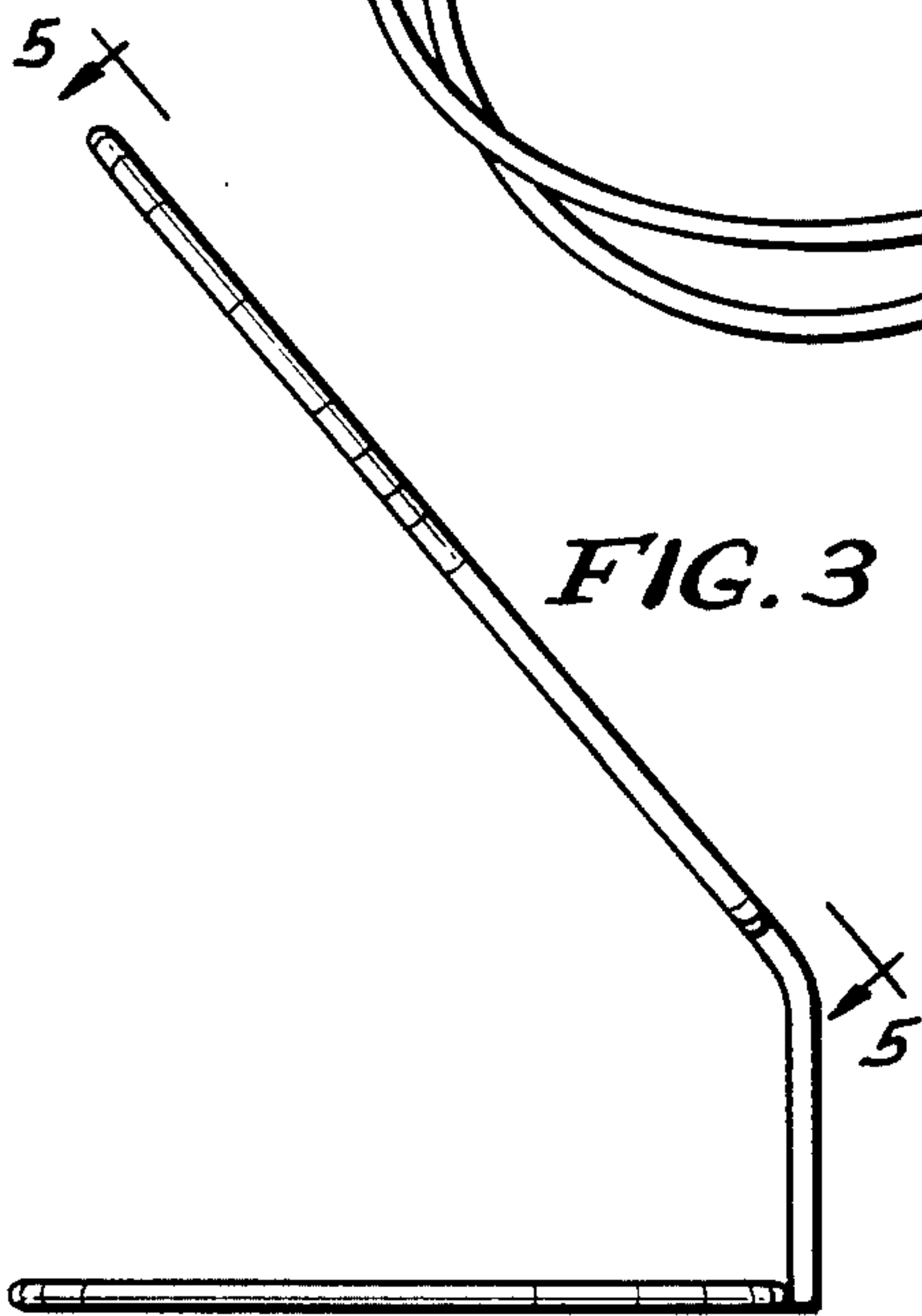


FIG. 3

FIG. 5

