

[54] **WHEEL HOUSE FOR A TOY SHIP**

D. 295,642 5/1988 Olsen ..... D21/108  
D. 295,644 5/1988 Takahashi ..... D21/141

[75] **Inventor: Flemming H. Olsen, Espergaerde, Denmark**

*Primary Examiner*—Charles A. Rudemaker  
*Attorney, Agent, or Firm*—Kane, Dalsimer, Sullivan, Kurucz, Levy, Eisele and Richard

[73] **Assignee: Interlego A.G., Baar, Switzerland**

[\*\*] **Term: 14 Years**

[57] **CLAIM**

[21] **Appl. No.: 277,909**

The ornamental design for wheel house for a toy ship, as shown and described.

[22] **Filed: Nov. 29, 1988**

**DESCRIPTION**

[52] **U.S. Cl. .... D21/141; D21/108; D21/130**

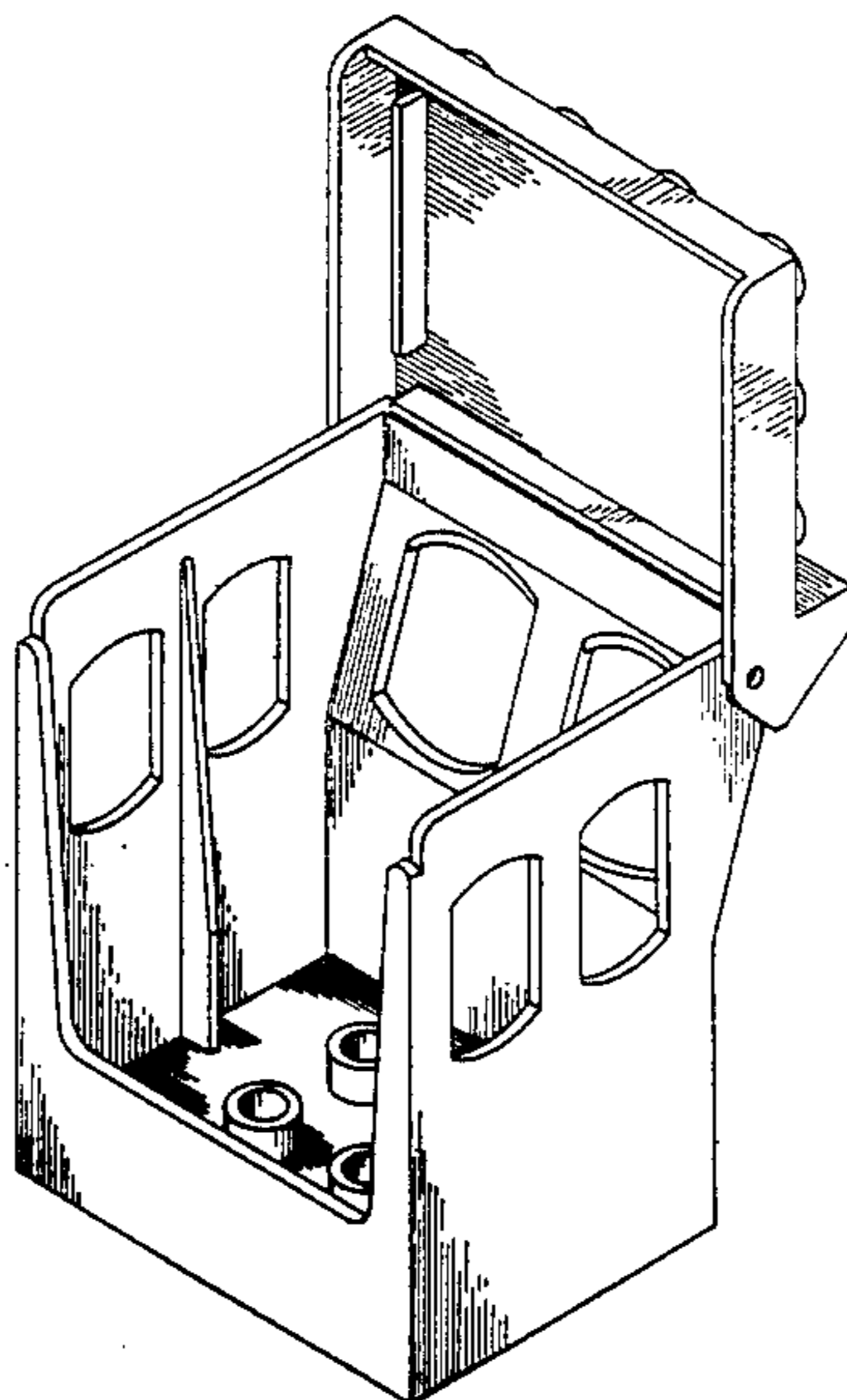
FIG. 1 is a top perspective view of a wheel house for a toy ship in an open position showing my new design; FIG. 2 is a top perspective view thereof; FIG. 3 is bottom perspective view thereof; FIG. 4 is a front elevational view thereof; FIG. 5 is a rear elevational view thereof; FIG. 6 is a top plan view thereof; FIG. 7 is a bottom plan view thereof; FIG. 8 is a side elevational view thereof, the side opposite being a mirror image.

[58] **Field of Search ..... D21/59, 108, 130, 141; 446/85, 93, 120, 122, 124, 153, 160, 476**

[56] **References Cited**

**U.S. PATENT DOCUMENTS**

D. 87,647 8/1932 Scarponi ..... D21/130  
D. 161,861 2/1951 Mueller ..... D21/130  
D. 202,100 8/1965 Hance ..... D21/130



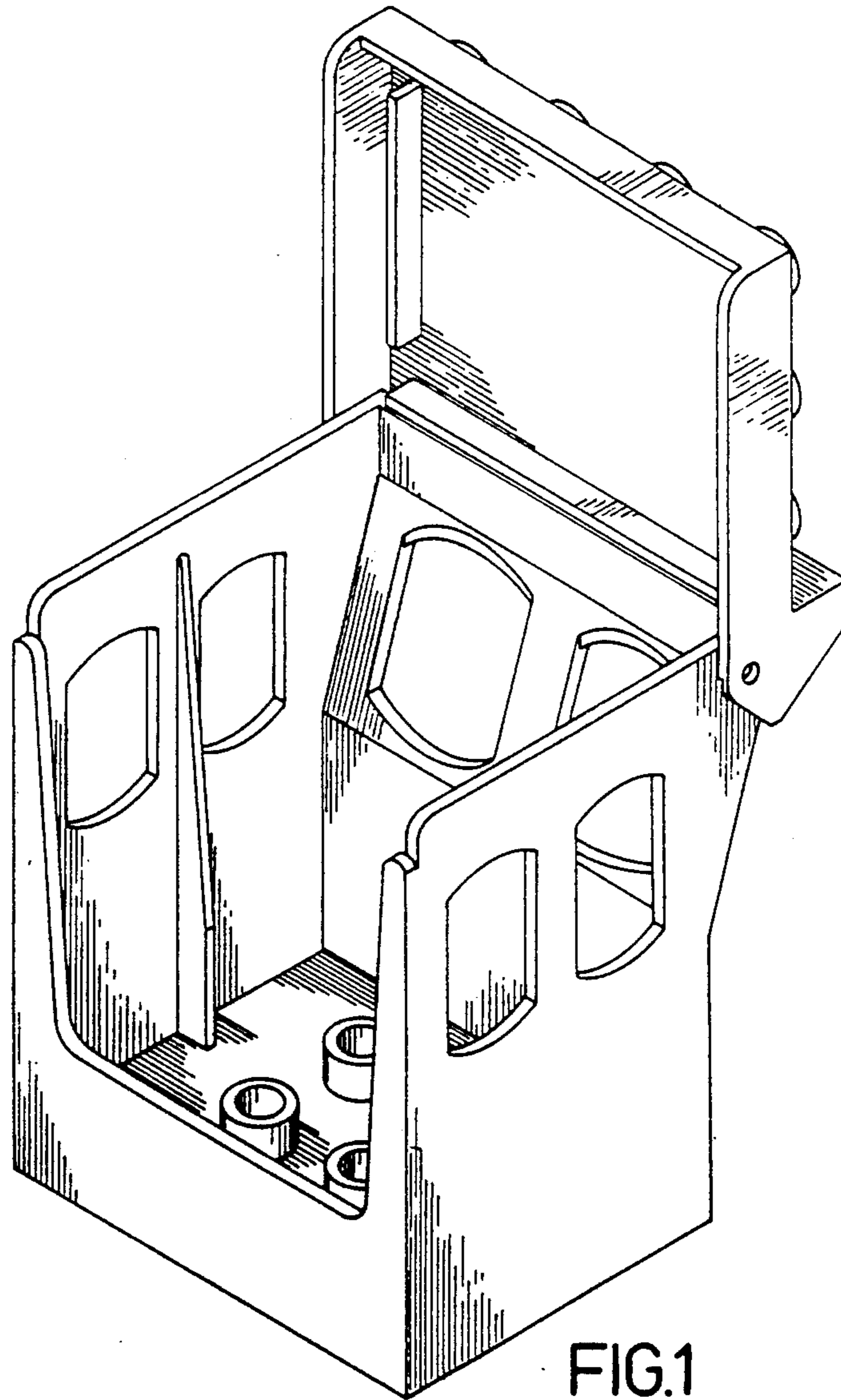


FIG.1

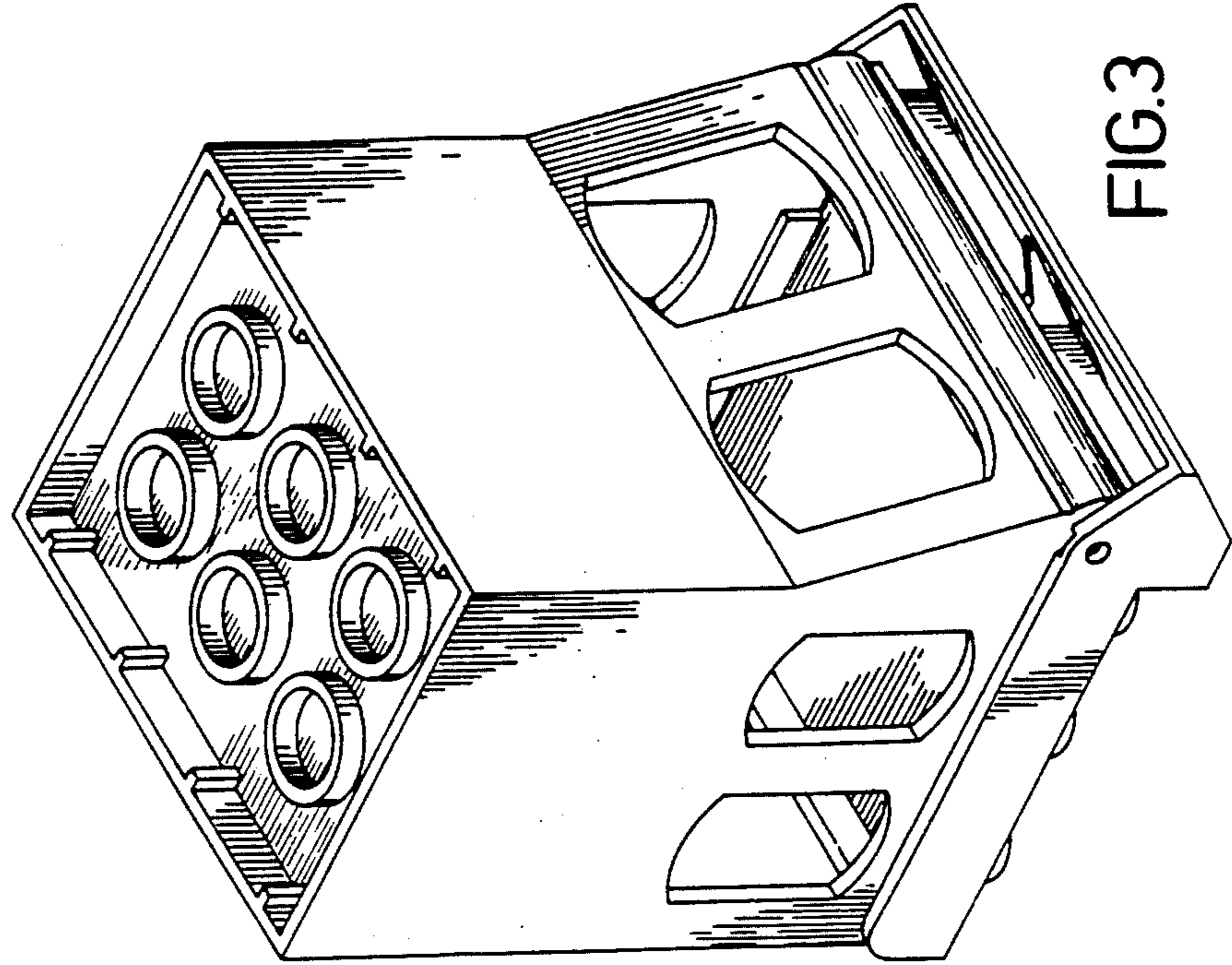


FIG. 3

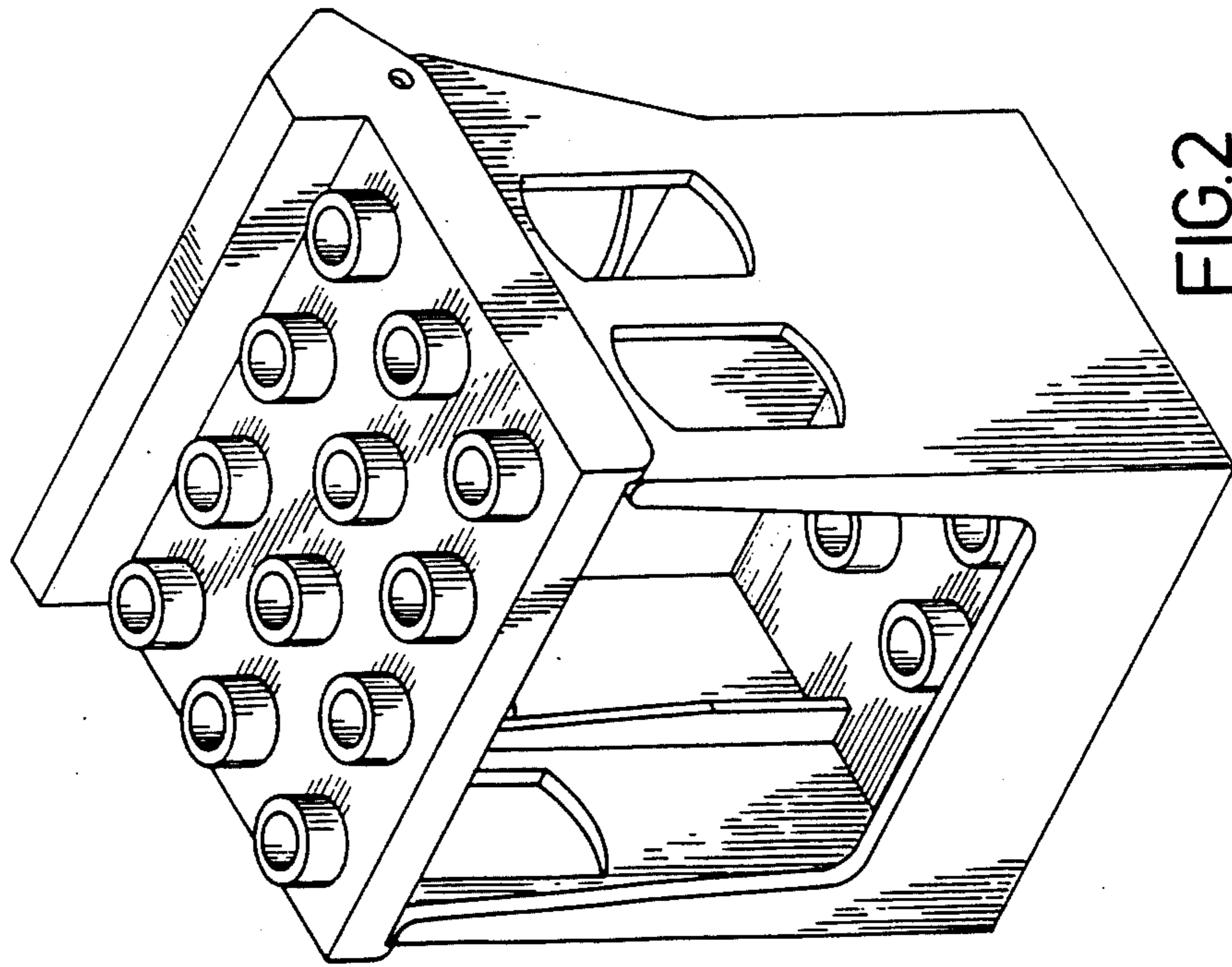


FIG. 2

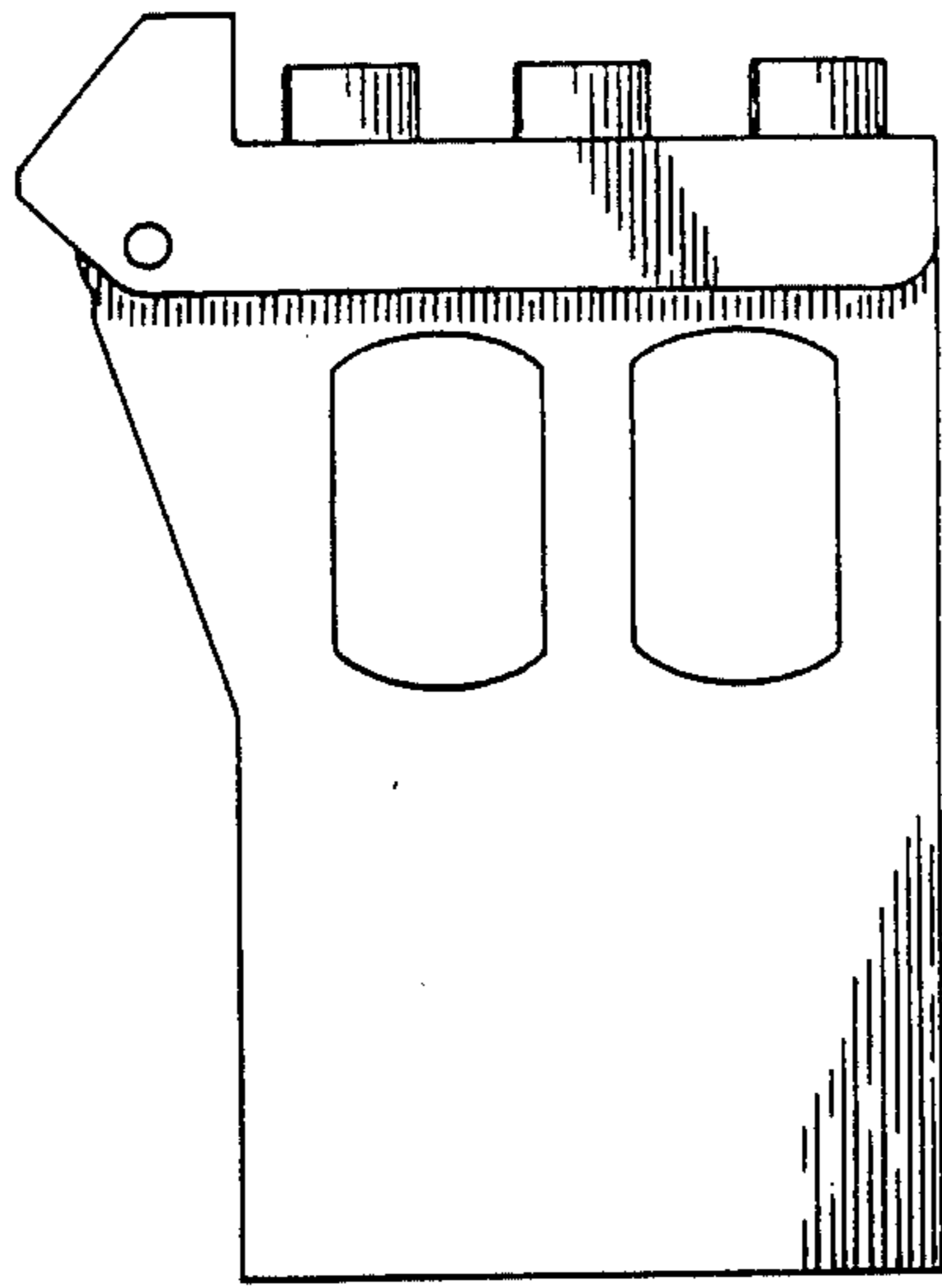


FIG. 8

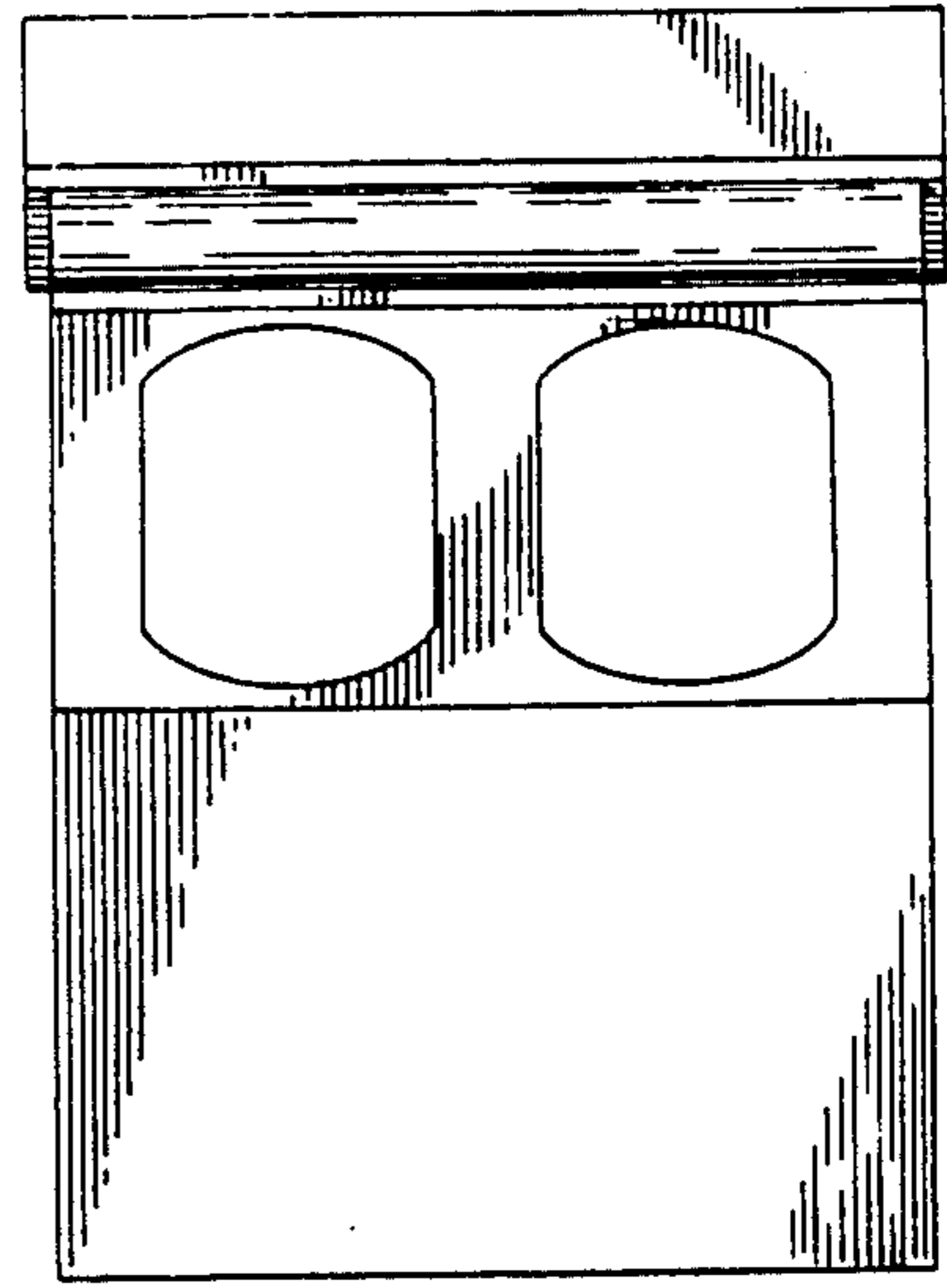


FIG. 4

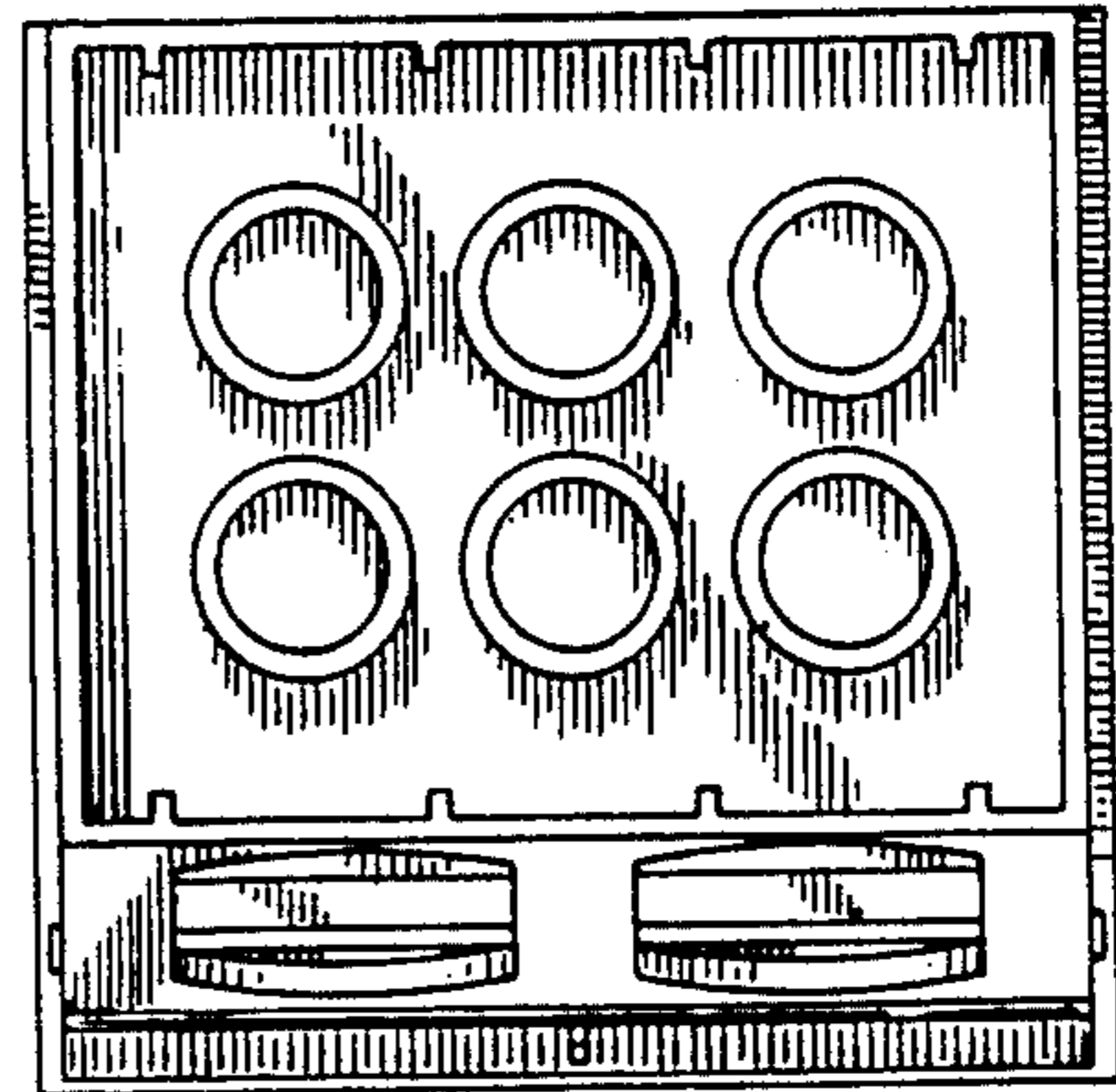


FIG. 7

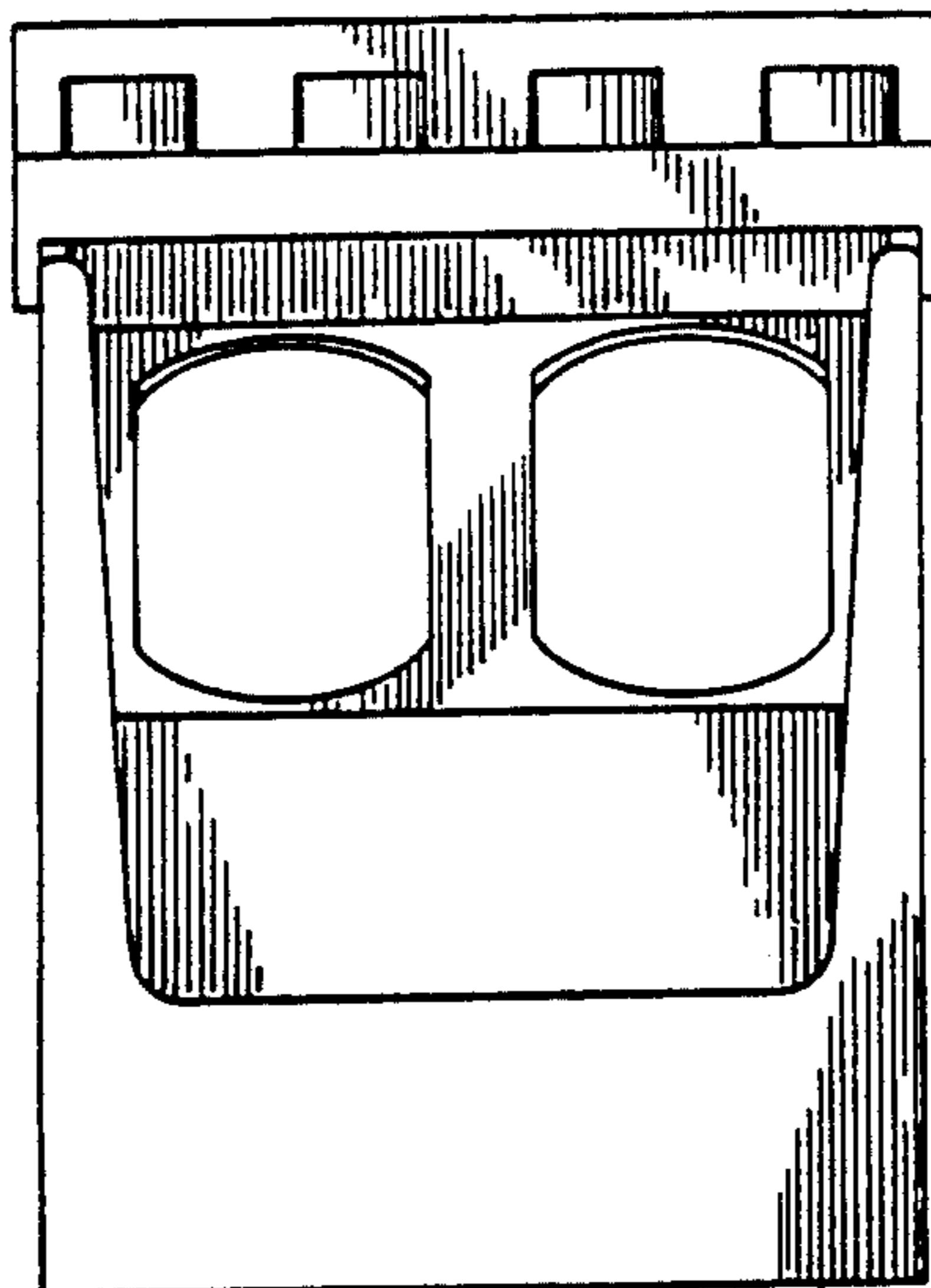


FIG. 5

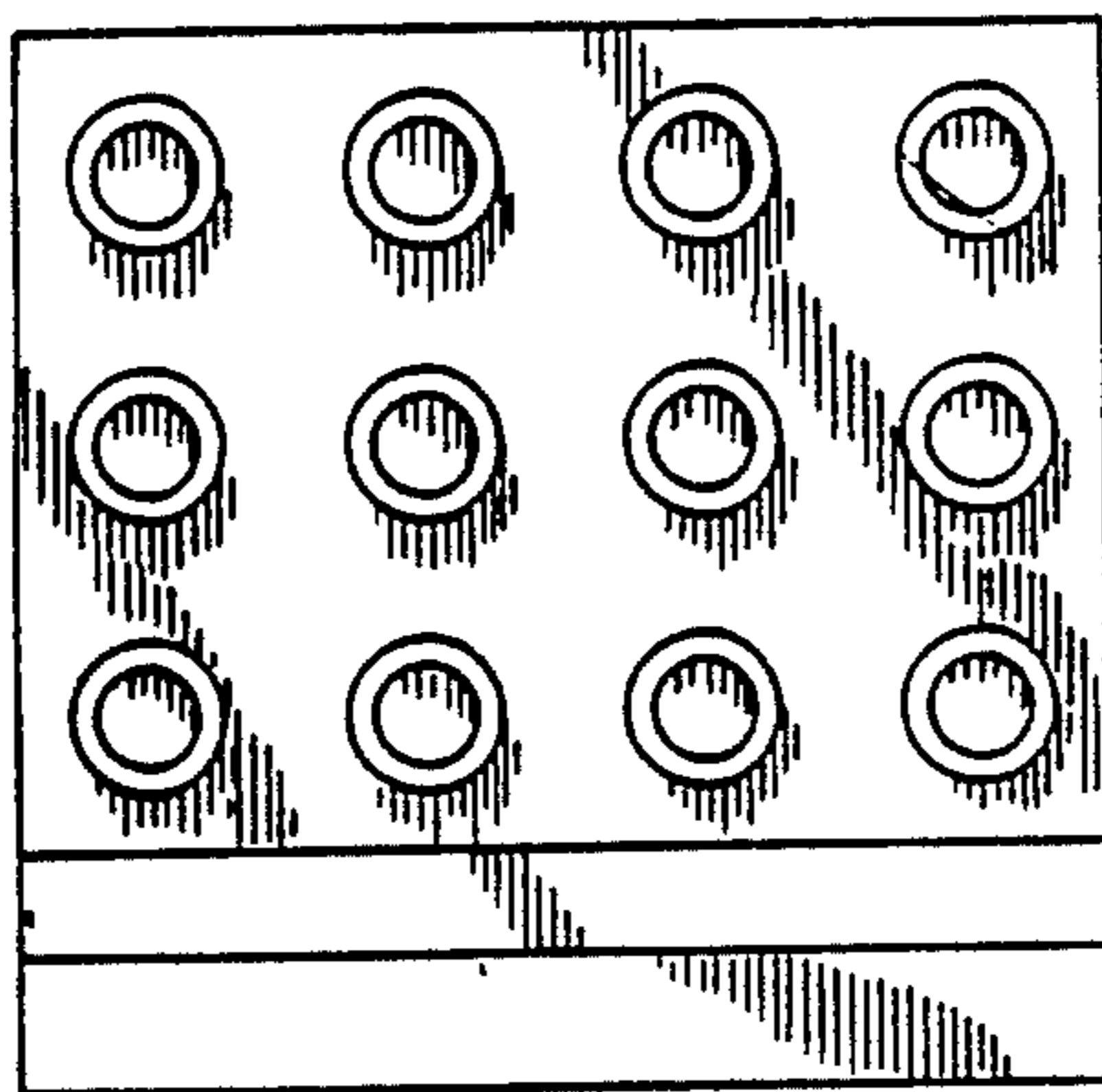


FIG. 6