

[54] PUZZLE

[76] Inventors: George A. Petrucelli, 569 Crocus Rd., Venice, Fla. 34293; Calvin D. Grade, 228 Mayberry St., North Point, Fla. 34287

[\*\*] Term: 14 Years

[21] Appl. No.: 254,786

[22] Filed: Oct. 7, 1988

[52] U.S. Cl. .... D21/106

[58] Field of Search ..... D21/104-107; 273/158, 153 R

[56] References Cited

U.S. PATENT DOCUMENTS

|            |         |           |       |         |
|------------|---------|-----------|-------|---------|
| D. 246,922 | 1/1978  | Heign     | ..... | D21/106 |
| D. 292,809 | 11/1987 | Koosman   | ..... | D21/106 |
| 4,005,869  | 2/1977  | Maldonado | ..... | 273/158 |

OTHER PUBLICATIONS

Uncles Puzzle flier, Heritage Forge, RCUD, 3-1-9-1987, p. 2, #7, Lance Puzzle.

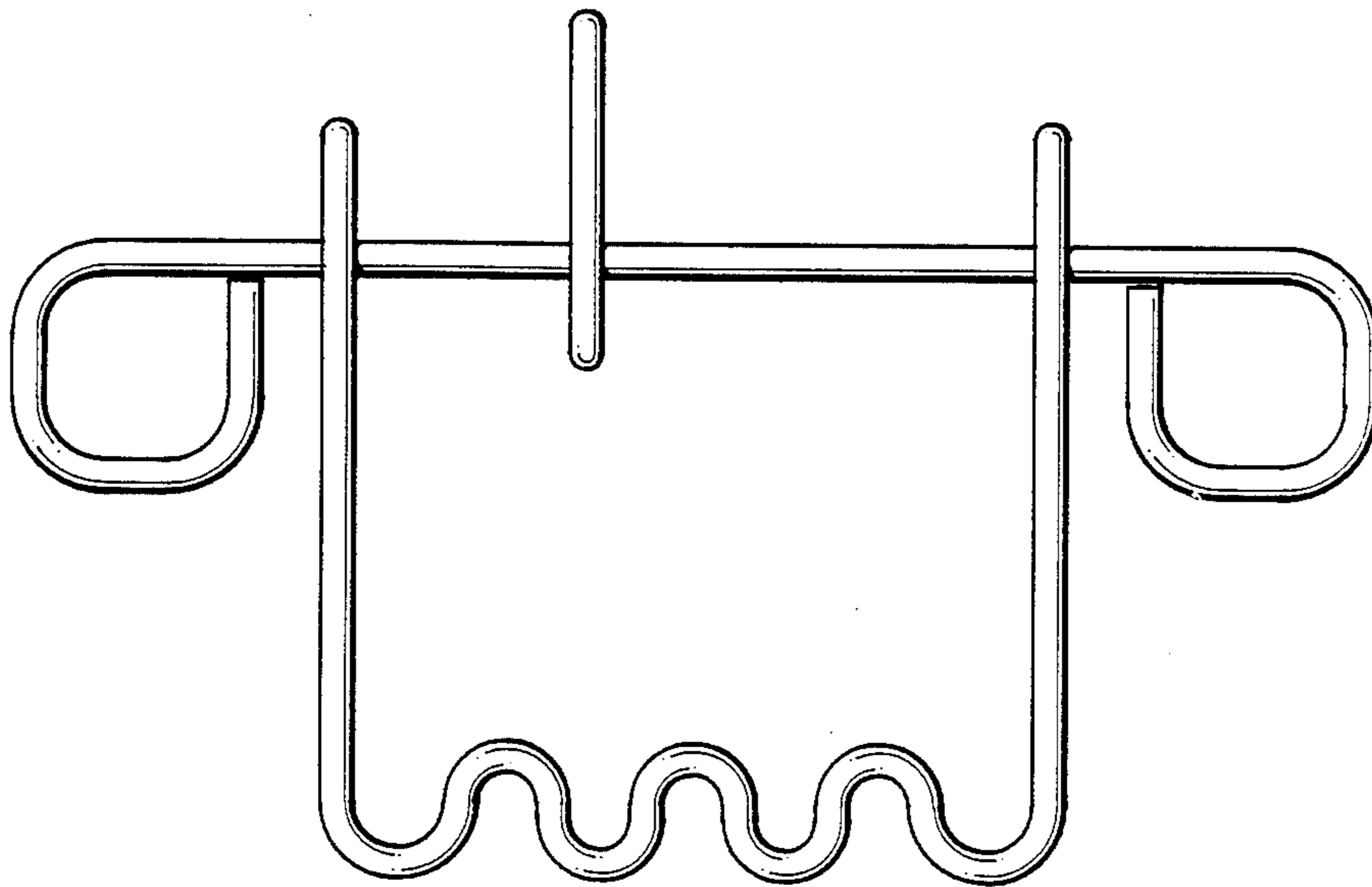
Primary Examiner—Charles A. Rademaker  
Attorney, Agent, or Firm—Jerry T. Kearns

[57] CLAIM

The ornamental design for a puzzle, as shown and described.

DESCRIPTION

FIG. 1 is a front elevational view of a puzzle showing our new design;  
FIG. 2 is a rear elevational view thereof;  
FIG. 3 is a left side elevational view thereof;  
FIG. 4 is a right side elevational view thereof;  
FIG. 5 is a top plan view thereof; and,  
FIG. 6 is a bottom plan view thereof.



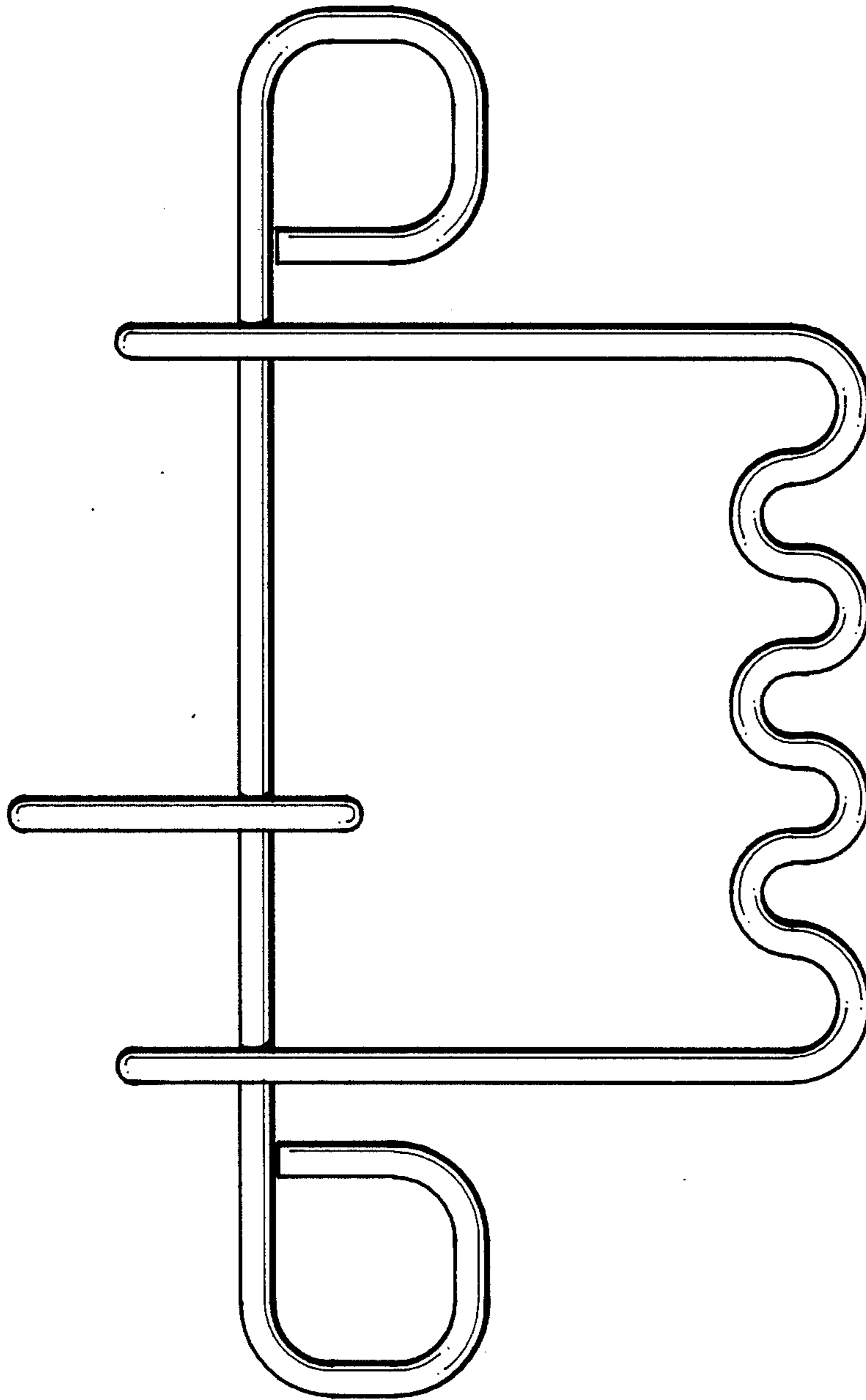


Fig. 1

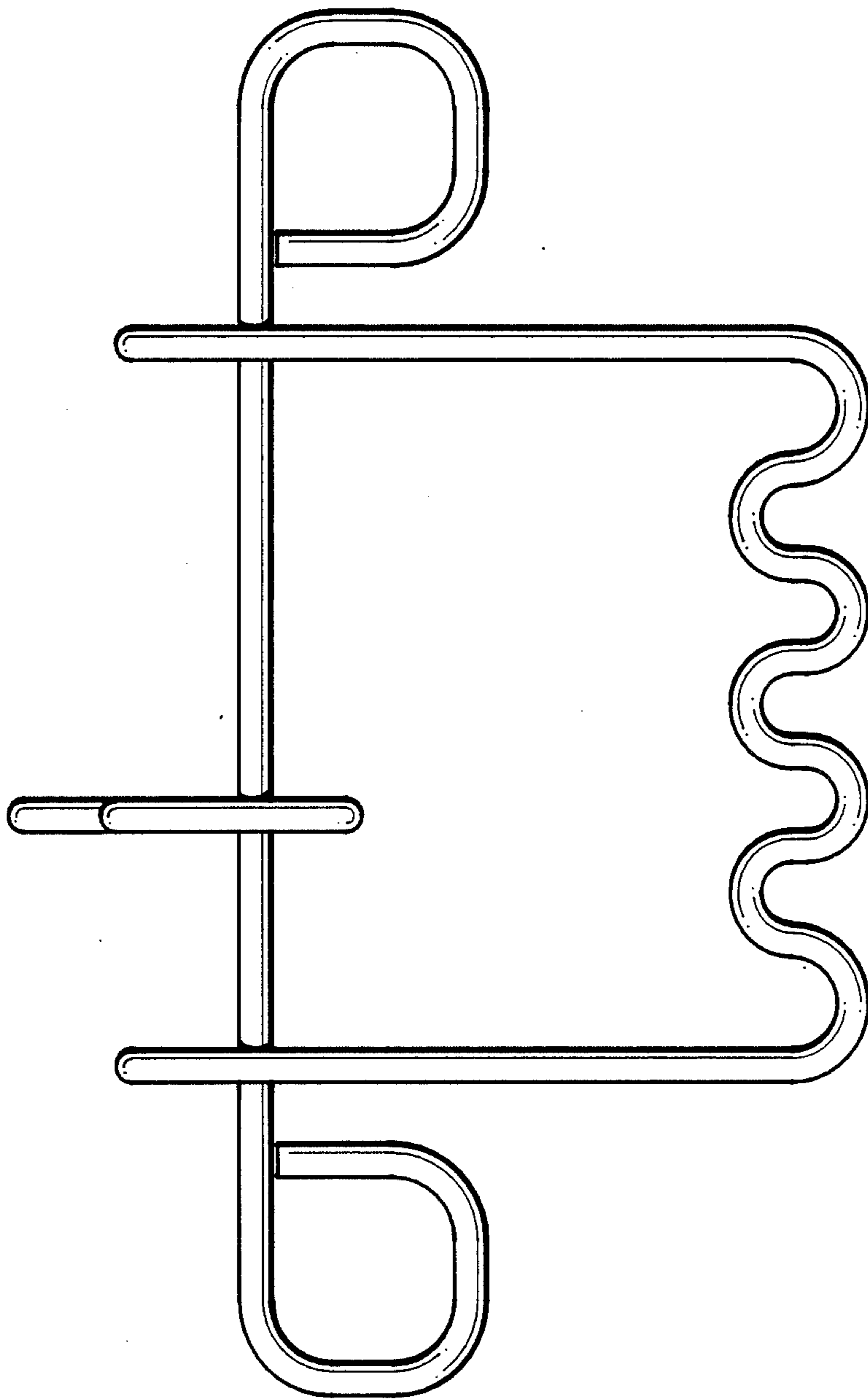


Fig. 2

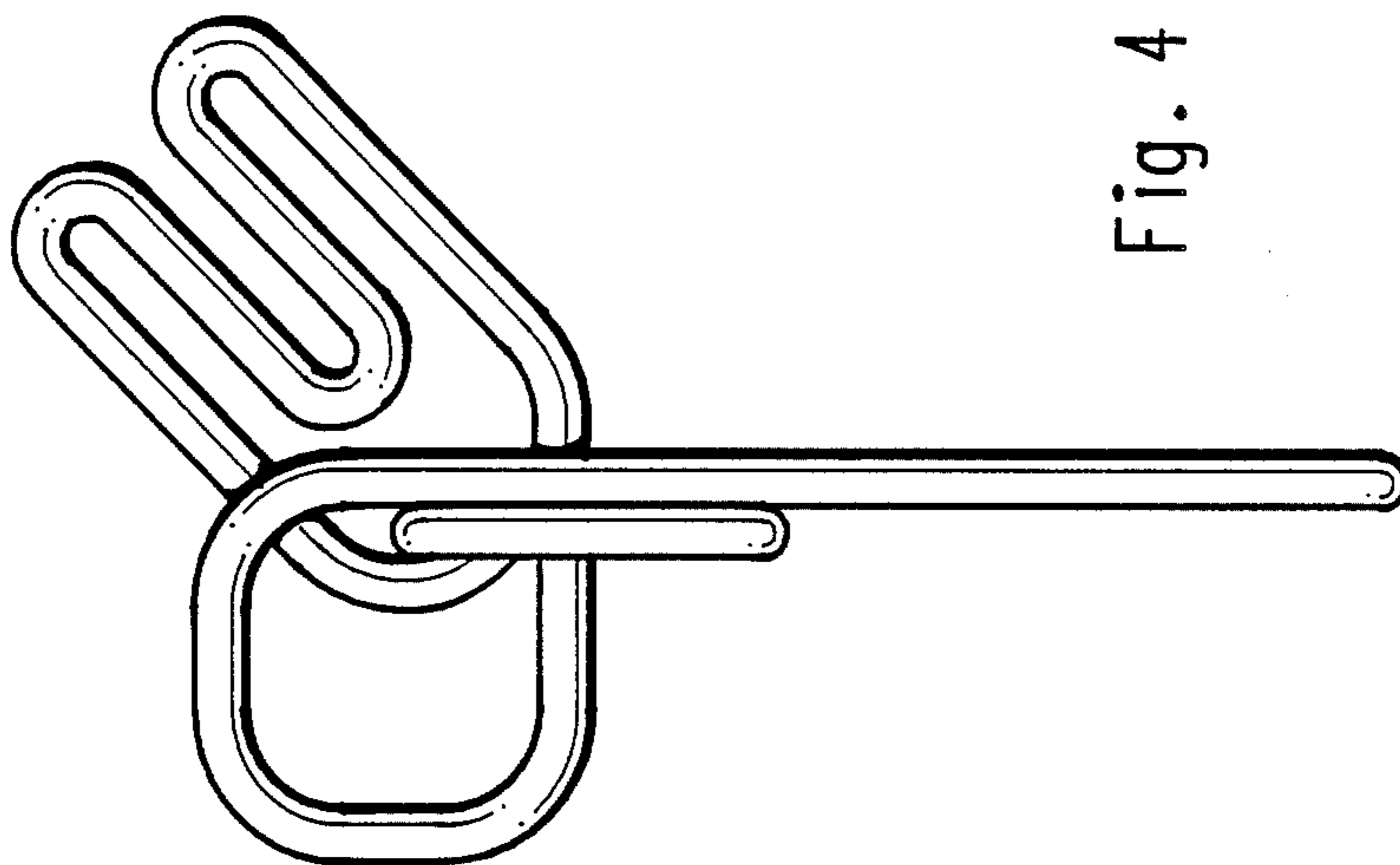


Fig. 4

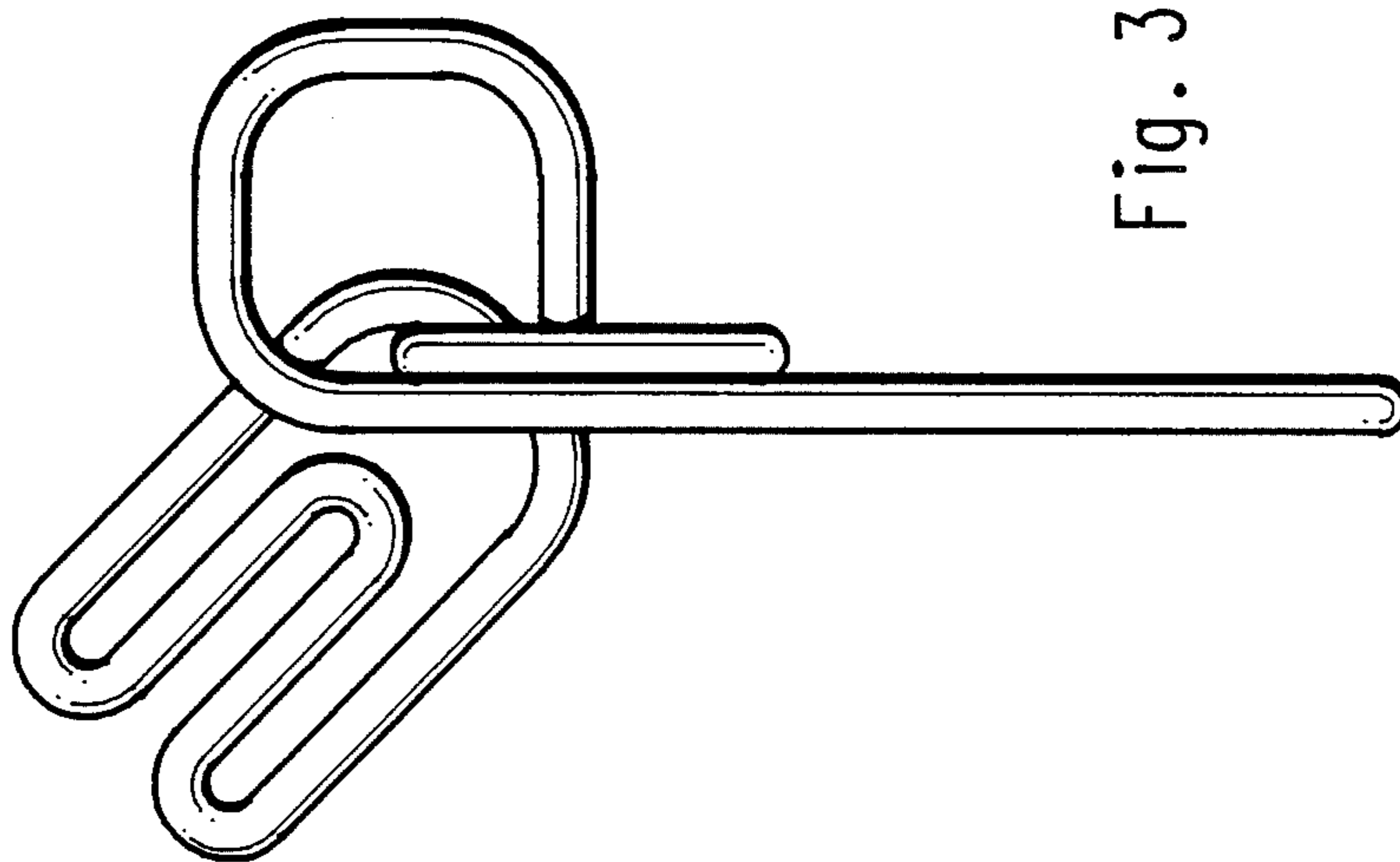


Fig. 3

