

[54] **TWO SIDED SIGN**

[75] **Inventor: Daniel W. Leo, Sr., New York, N.Y.**

[73] **Assignee: Ledan, Inc., New York, N.Y.**

[**] **Term: 14 Years**

[21] **Appl. No.: 235,634**

[22] **Filed: Aug. 24, 1988**

[52] **U.S. Cl. D20/42**

[58] **Field of Search D20/10, 27, 29, 40, D20/42; 40/539, 572, 584, 606, 607; 206/44 R, 44 B, 45.2, 45.21, 45.23, 45.24, 45.25**

[56] **References Cited**

U.S. PATENT DOCUMENTS

D. 111,576 10/1938 Applegate, Jr. et al. D20/10

D. 165,422 12/1951 Hammond D20/42

Primary Examiner—Wallace R. Burke

Assistant Examiner—Marcus Jackson

Attorney, Agent, or Firm—Charles E. Temko

[57] **CLAIM**

The ornamental design for a two sided sign, as shown and described.

DESCRIPTION

FIG. 1 is a perspective view of a two-sided sign showing my new design;

FIG. 2 is a top plan view thereof;

FIG. 3 is a side elevational view thereof, the opposite side being the same;

FIG. 4 is a front elevational view thereof;

FIG. 5 is a bottom plan view thereof.

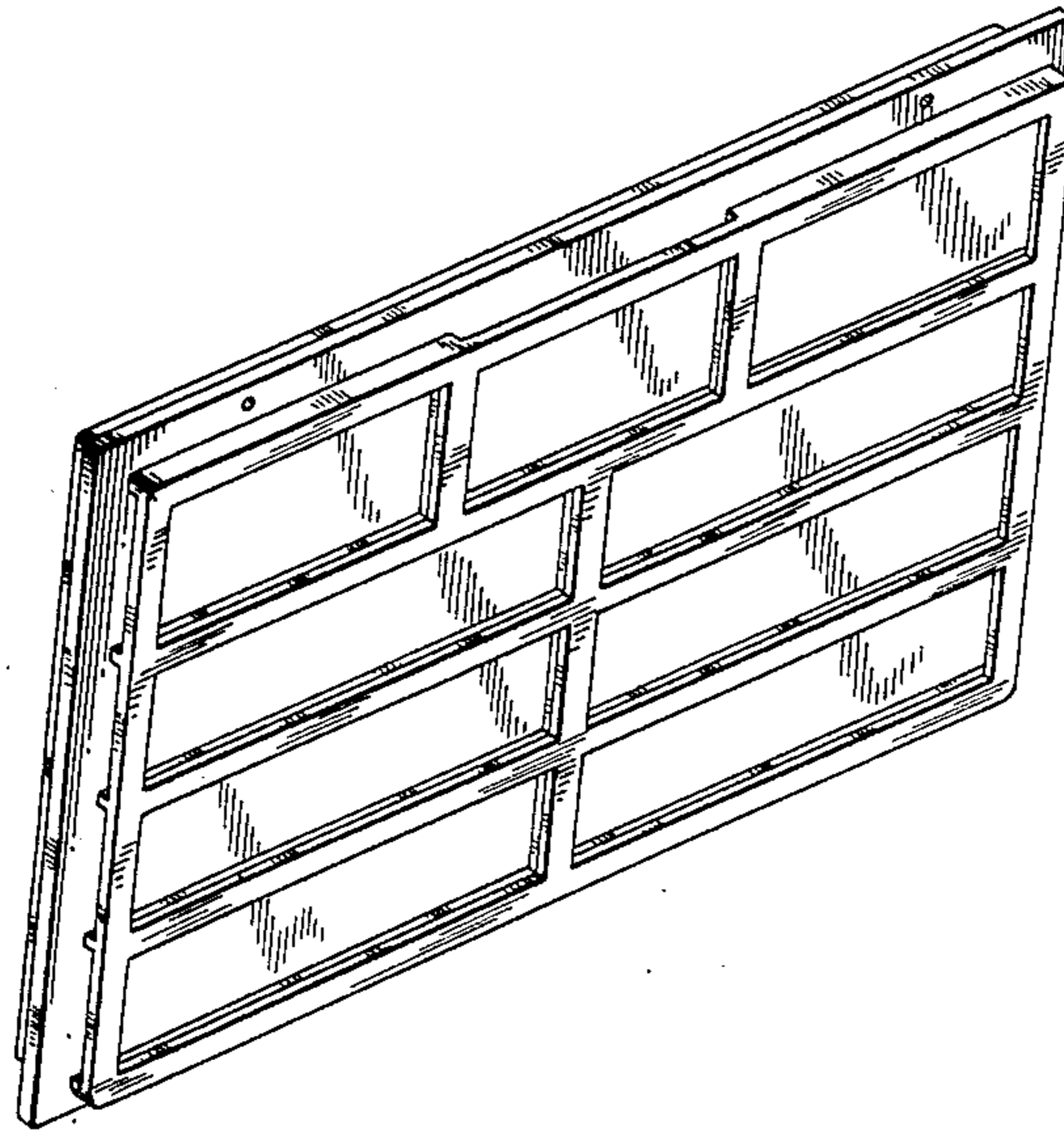


FIG. 1

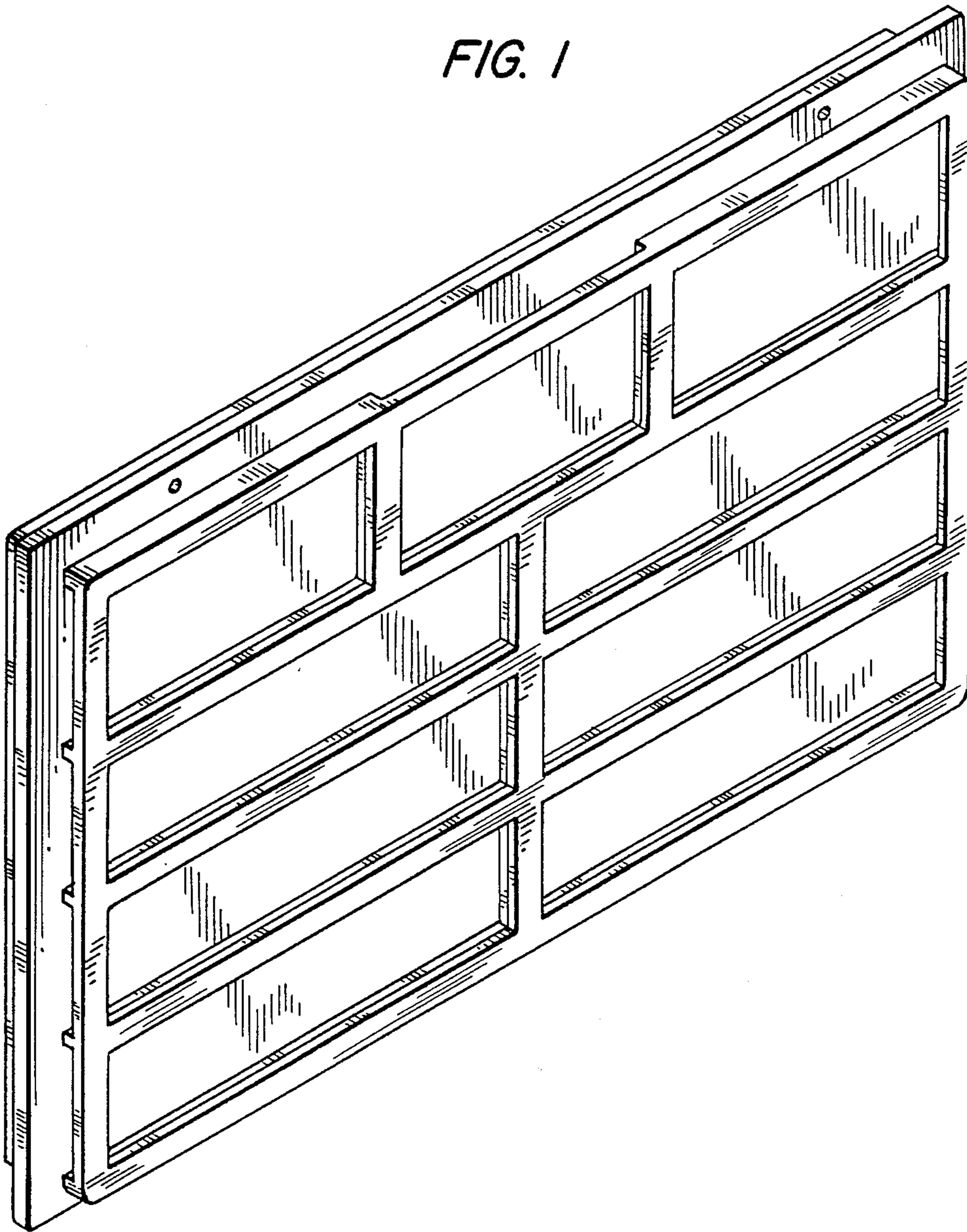


FIG. 2

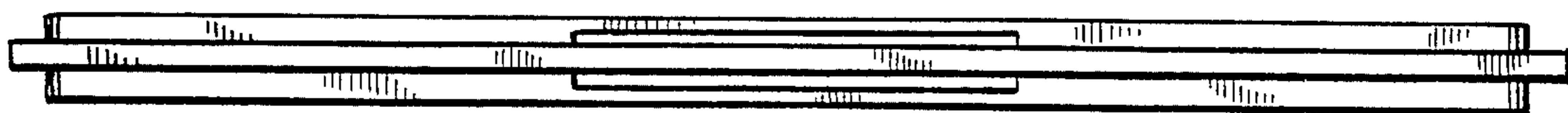


FIG. 4

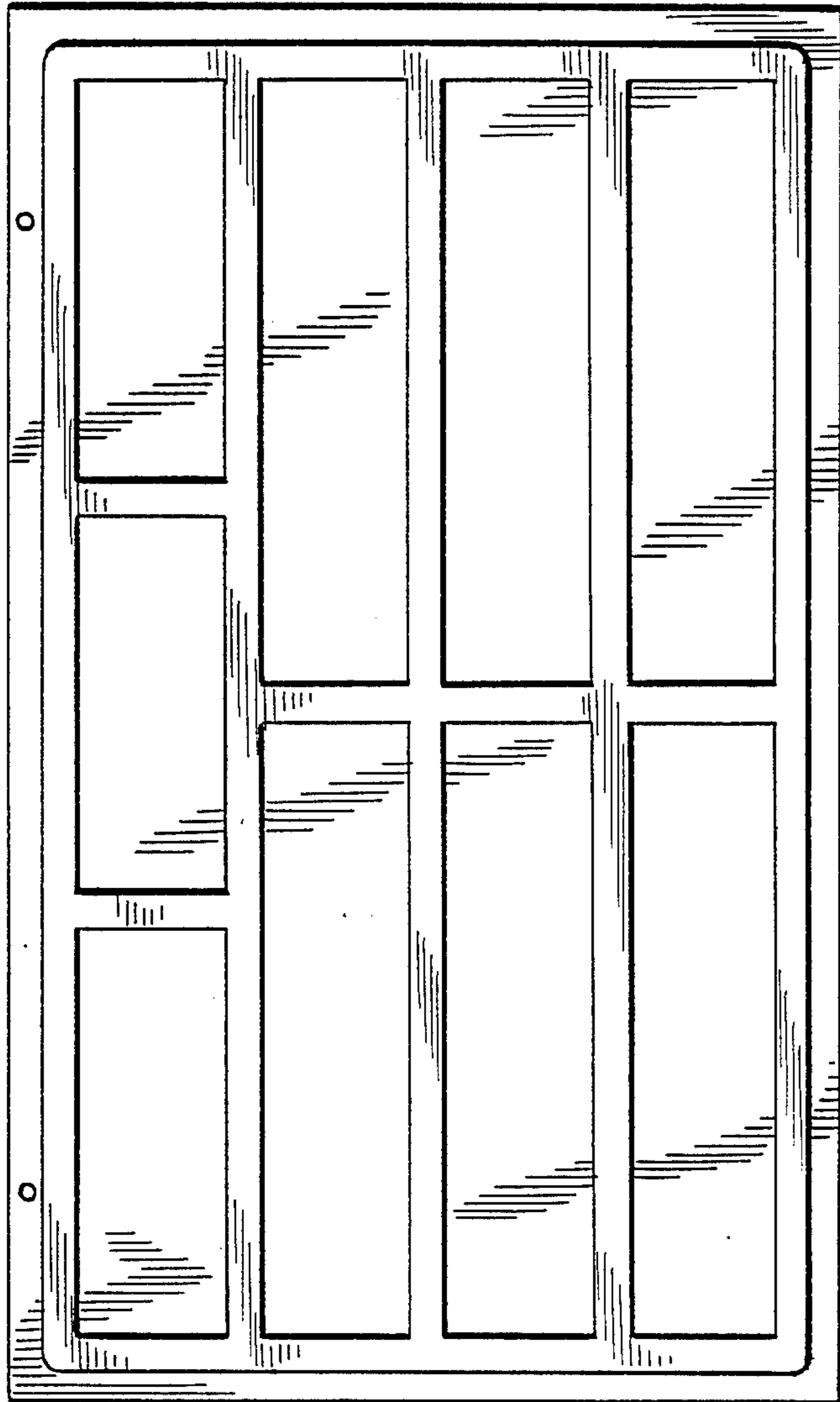


FIG. 3

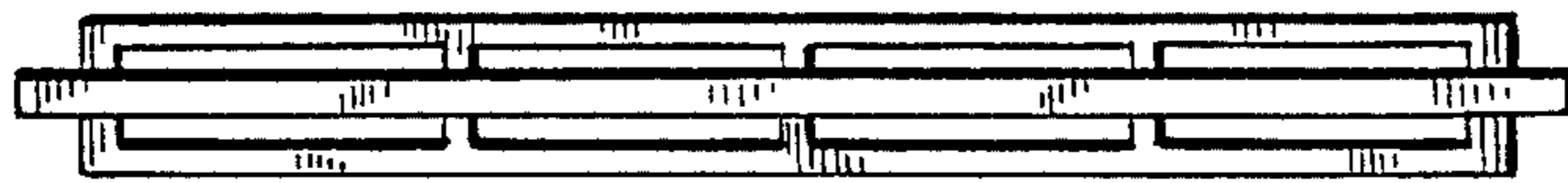


FIG. 5

