

United States Patent [19]

Beirise et al.

[11] Patent Number: **Des. 309,917**

[45] Date of Patent: **** Aug. 14, 1990**

[54] **WALL-MOUNTABLE CARD FILE**

[75] Inventors: **Jean Beirise; John Coons**, both of Cincinnati, Ohio

[73] Assignee: **Herman Miller, Inc.**, Zeeland, Mich.

[**] Term: **14 Years**

[21] Appl. No.: **41,584**

[22] Filed: **Apr. 22, 1987**

[52] U.S. Cl. **D19/76; D19/75; D19/90**

[58] Field of Search **D19/75, 76, 90, 100, D19/65; 40/379, 382, 383; 211/88, 50, 55, 181, 57.1**

[56] **References Cited**

U.S. PATENT DOCUMENTS

D. 28,053 12/1897 Ordway D19/91 X
D. 33,293 10/1940 Woehr D19/91
D. 55,221 5/1920 Weeks D19/92 X
D. 92,372 5/1934 Roscoe D19/76

D. 146,949 6/1947 Saltz D19/76
2,472,567 6/1949 Bruen D19/76 X
4,343,405 8/1982 Virte et al. 211/88
4,578,379 2/1986 Wallo 211/50

FOREIGN PATENT DOCUMENTS

100548 3/1937 Australia D19/90

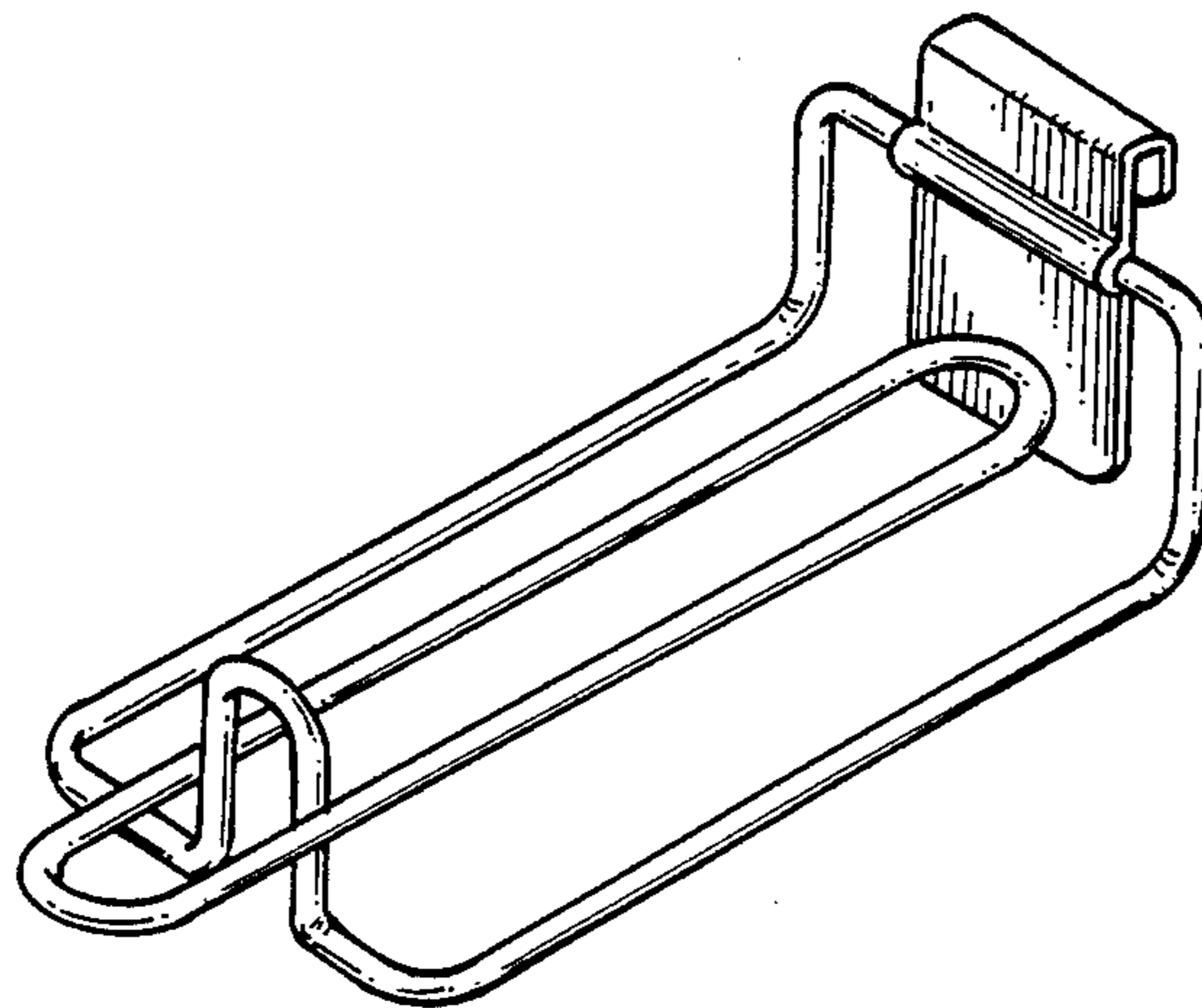
Primary Examiner—Bruce W. Dunkins
Assistant Examiner—Martha Thompson
Attorney, Agent, or Firm—Varnum, Riddering, Schmidt & Howlett

[57] **CLAIM**

The ornamental design for a wall-mountable card file, as shown and described.

DESCRIPTION

FIG. 1 is a perspective view of a wall-mountable card file showing our new design;
FIG. 2 is a rear elevational view;
FIG. 3 is a left side elevational view; and
FIG. 4 is a top plan view thereof.



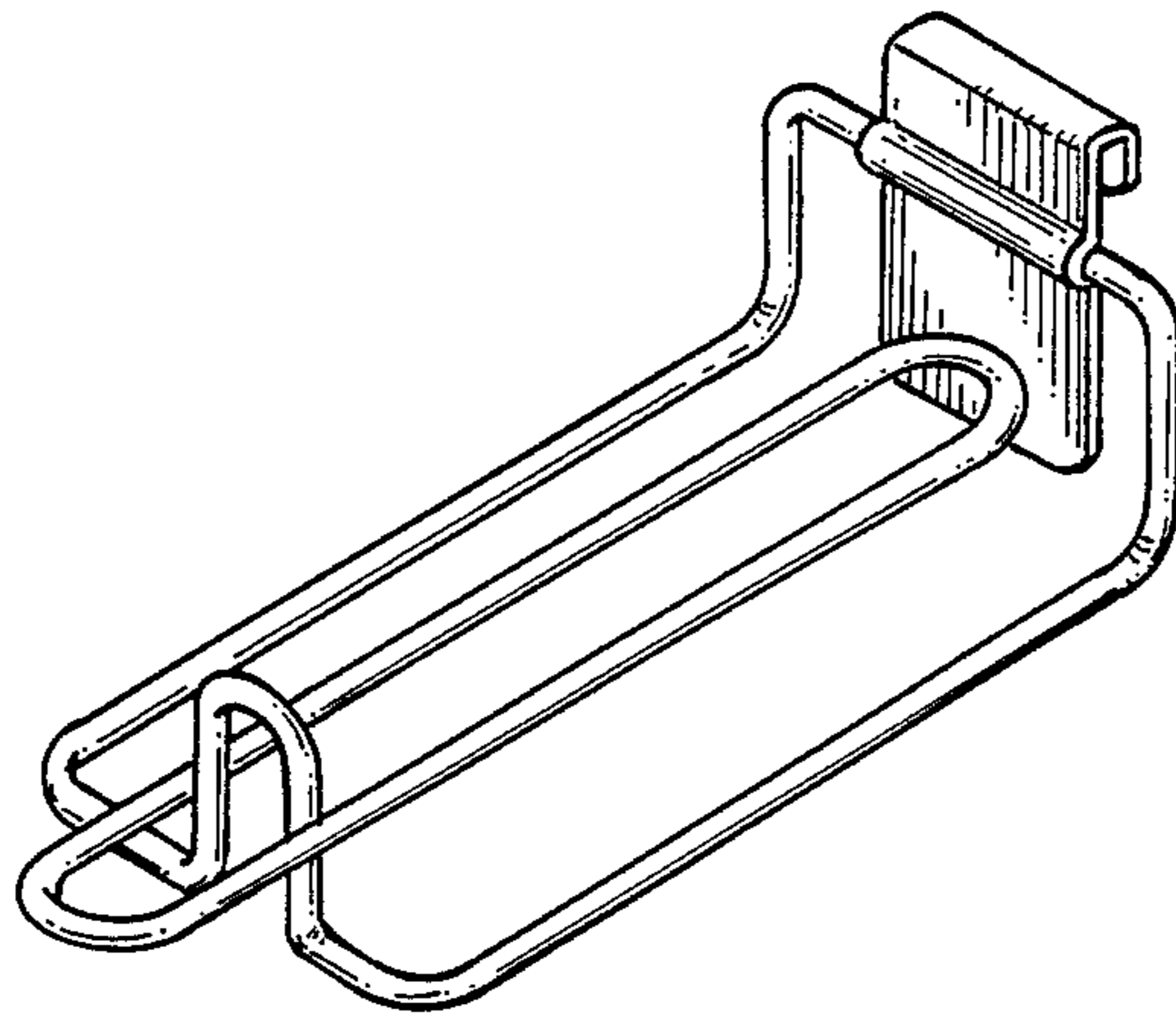


FIG. 1

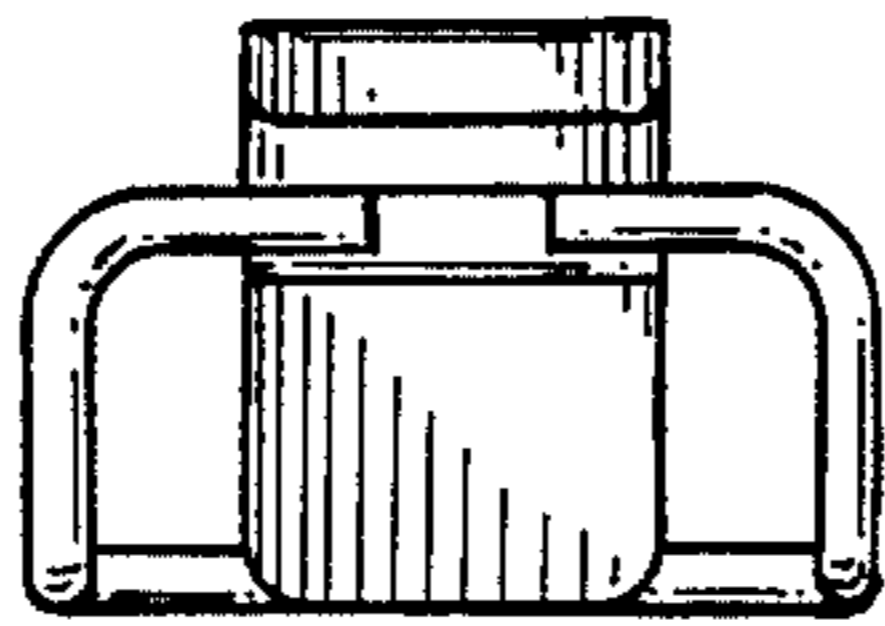


FIG. 2

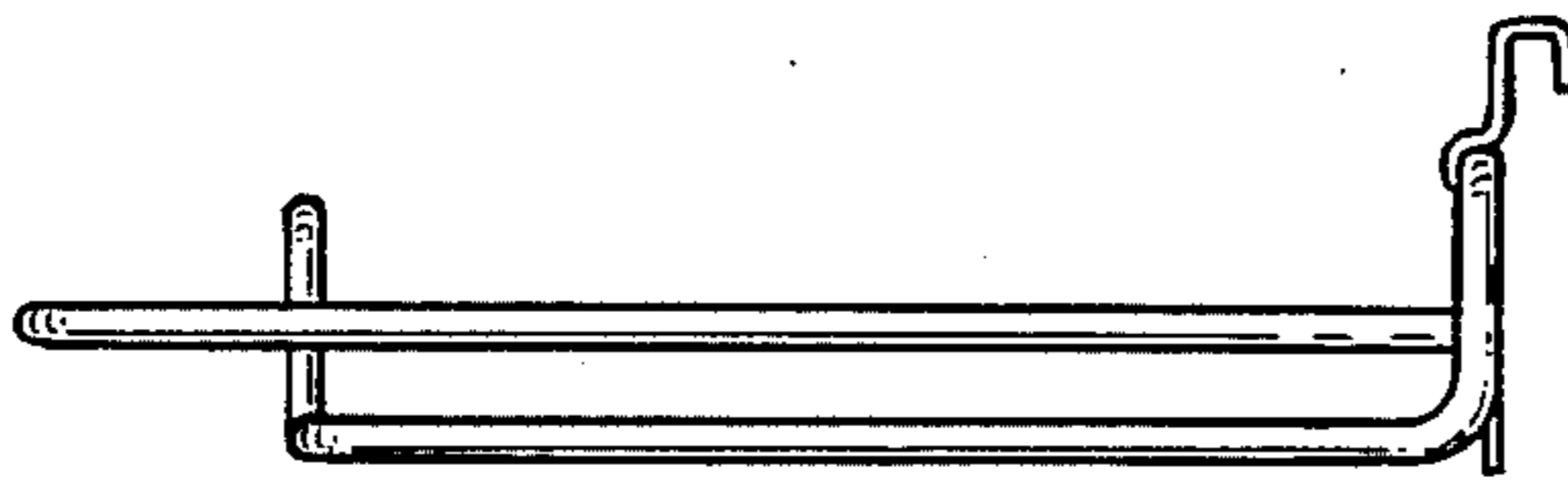


FIG. 3

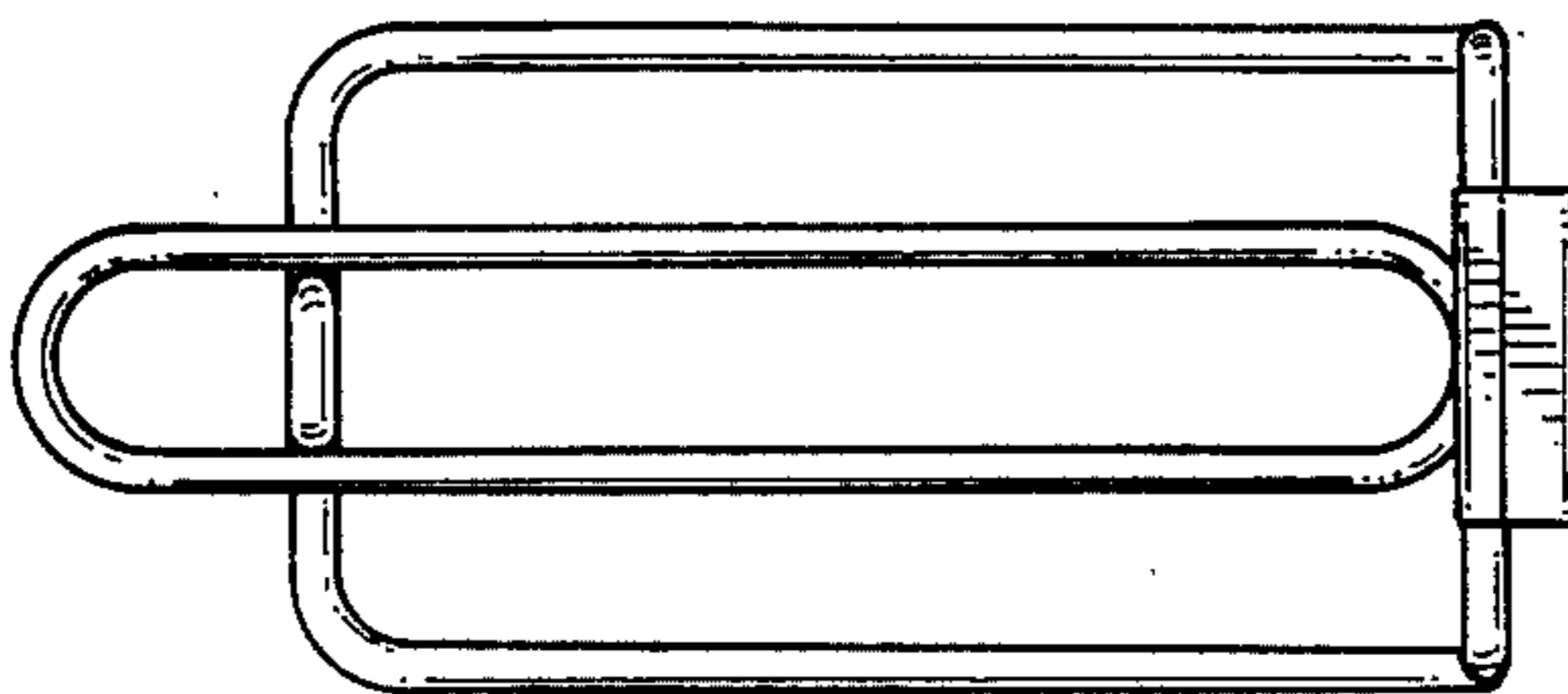


FIG. 4