

[54] **PUNCH**

[75] **Inventor: Kazuyoshi Higashi, Yao, Japan**

[73] **Assignee: Sakuraseiki Co., Ltd., Osaka, Japan**

[**] **Term: 14 Years**

[21] **Appl. No.: 22,359**

[22] **Filed: Mar. 5, 1987**

[30] **Foreign Application Priority Data**

Sep. 6, 1986 [JP] Japan 61-136854

[52] **U.S. Cl. D19/72**

[58] **Field of Search D19/72; 83/167, 467,
83/468, 588, 618, 560**

[56] **References Cited**

U.S. PATENT DOCUMENTS

D. 256,479	8/1980	Manusch	D19/72
D. 289,883	5/1987	Penaluna	D19/72 X
3,859,726	1/1975	Mitsunari	D19/72 X
4,288,018	9/1981	Taniguchi	83/618
4,466,322	8/1984	Mori	83/618
4,594,927	6/1986	Mori	83/588

Primary Examiner—Bruce W. Dunkins
Assistant Examiner—Martha Thompson
Attorney, Agent, or Firm—Birch, Stewart, Kolasch & Birch

[57] **CLAIM**

The ornamental design for a punch, as shown and described.

DESCRIPTION

FIG. 1 is a top perspective view of a punch with the lid member in a closed position, showing my new design; FIG. 2 is a front perspective view with the lid member in an opened position; FIG. 3 is a rear elevational view of FIG. 2; FIG. 4 is a top plan view of FIG. 1; FIG. 5 is a rear elevational view of FIG. 1; FIG. 6 is a side elevational view of FIG. 1, the opposite side being a mirror image thereof; FIG. 7 is a front elevational view of FIG. 1; FIG. 8 is a bottom plan view of FIG. 1; and FIG. 9 is a cross-sectional view taken in the direction of arrows 9—9 in FIG. 3.

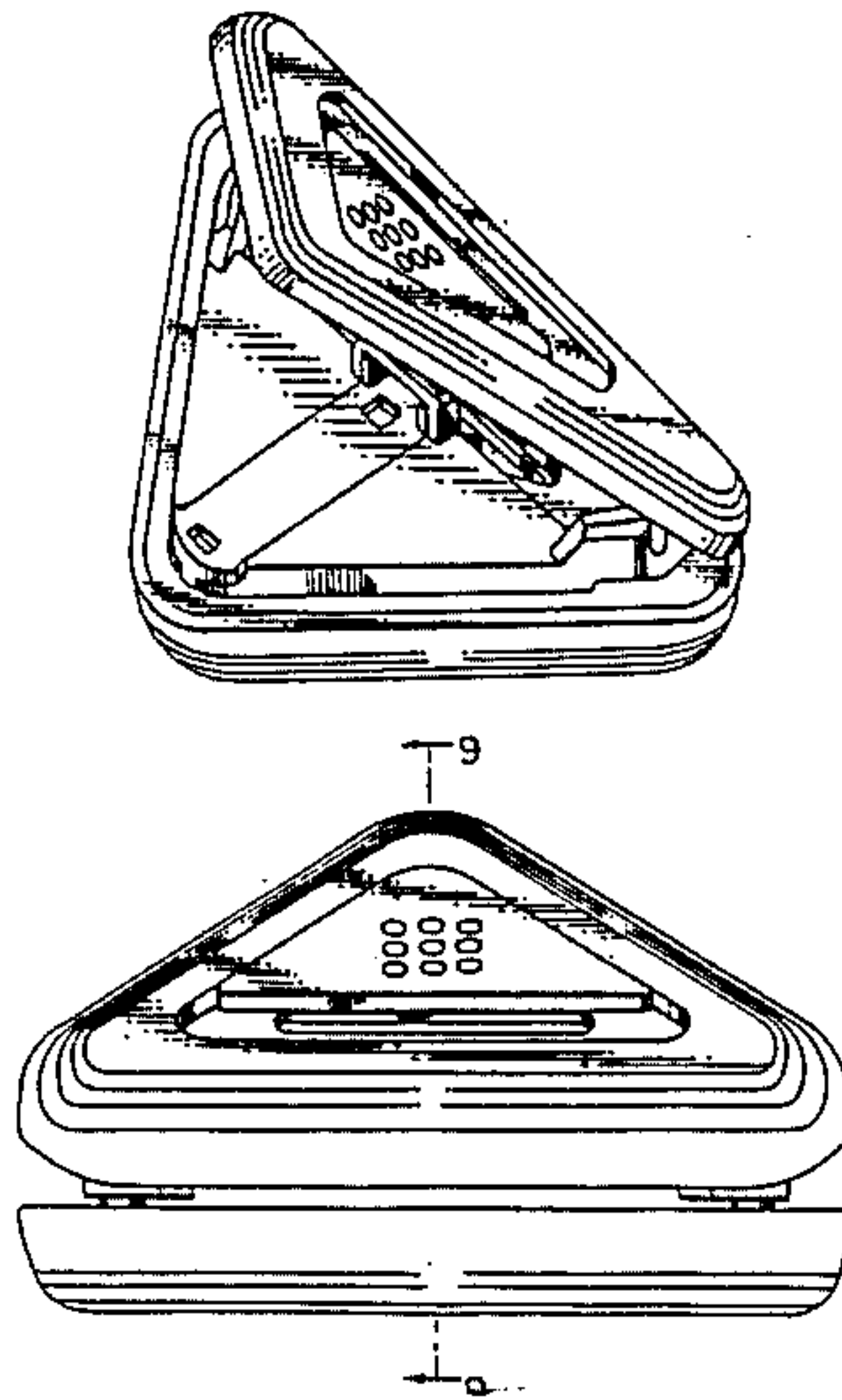


FIG. 1

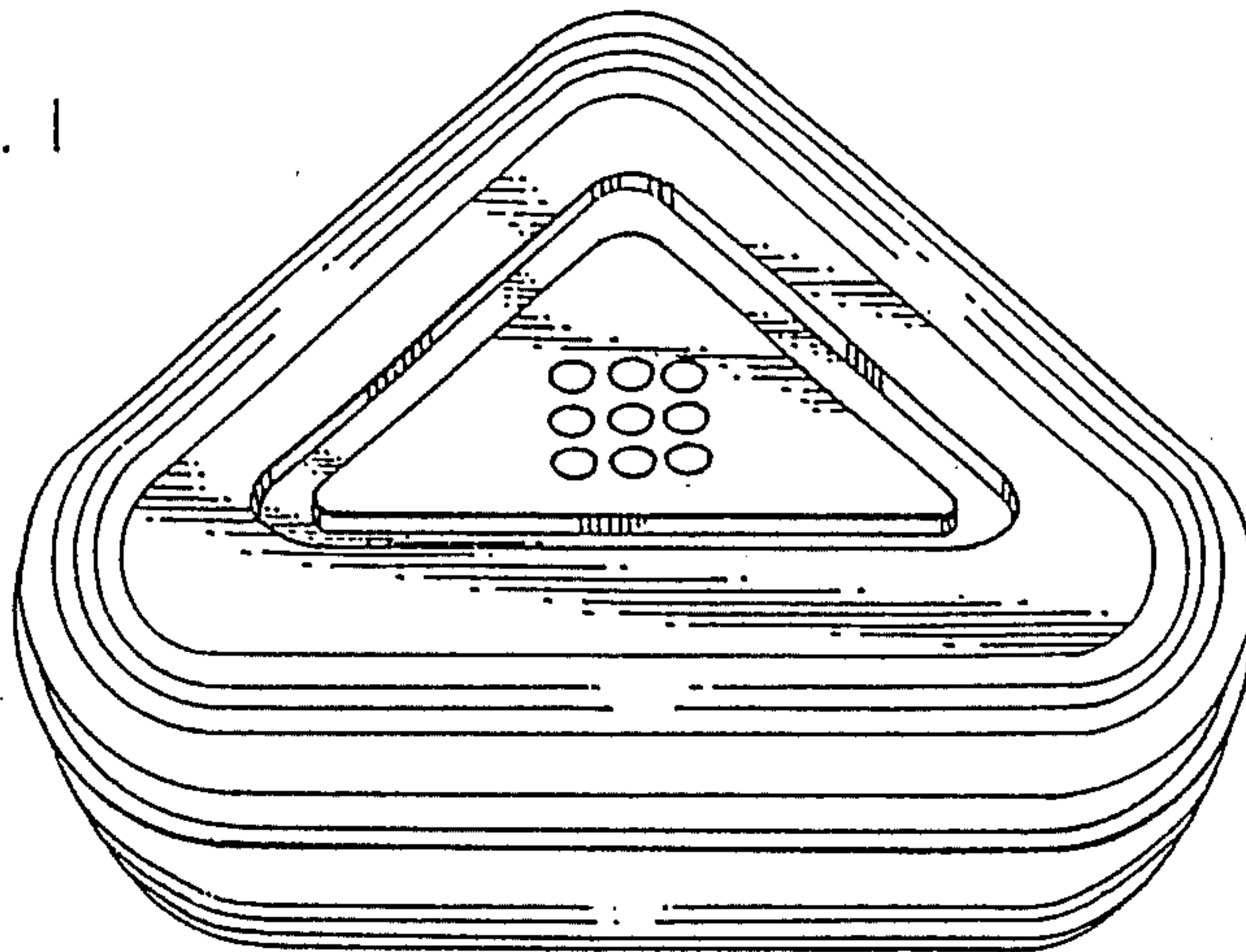


FIG. 2

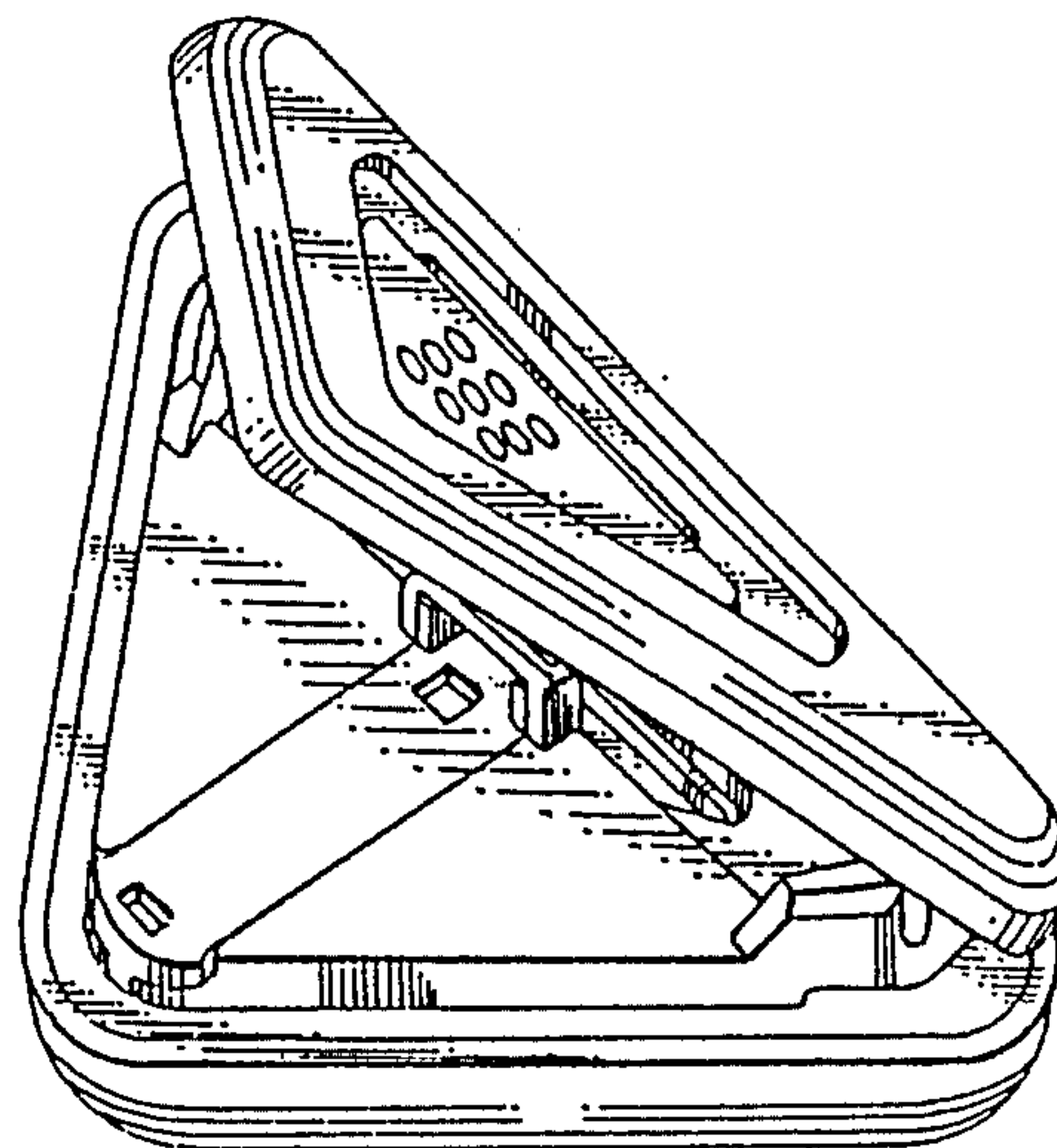


FIG. 3

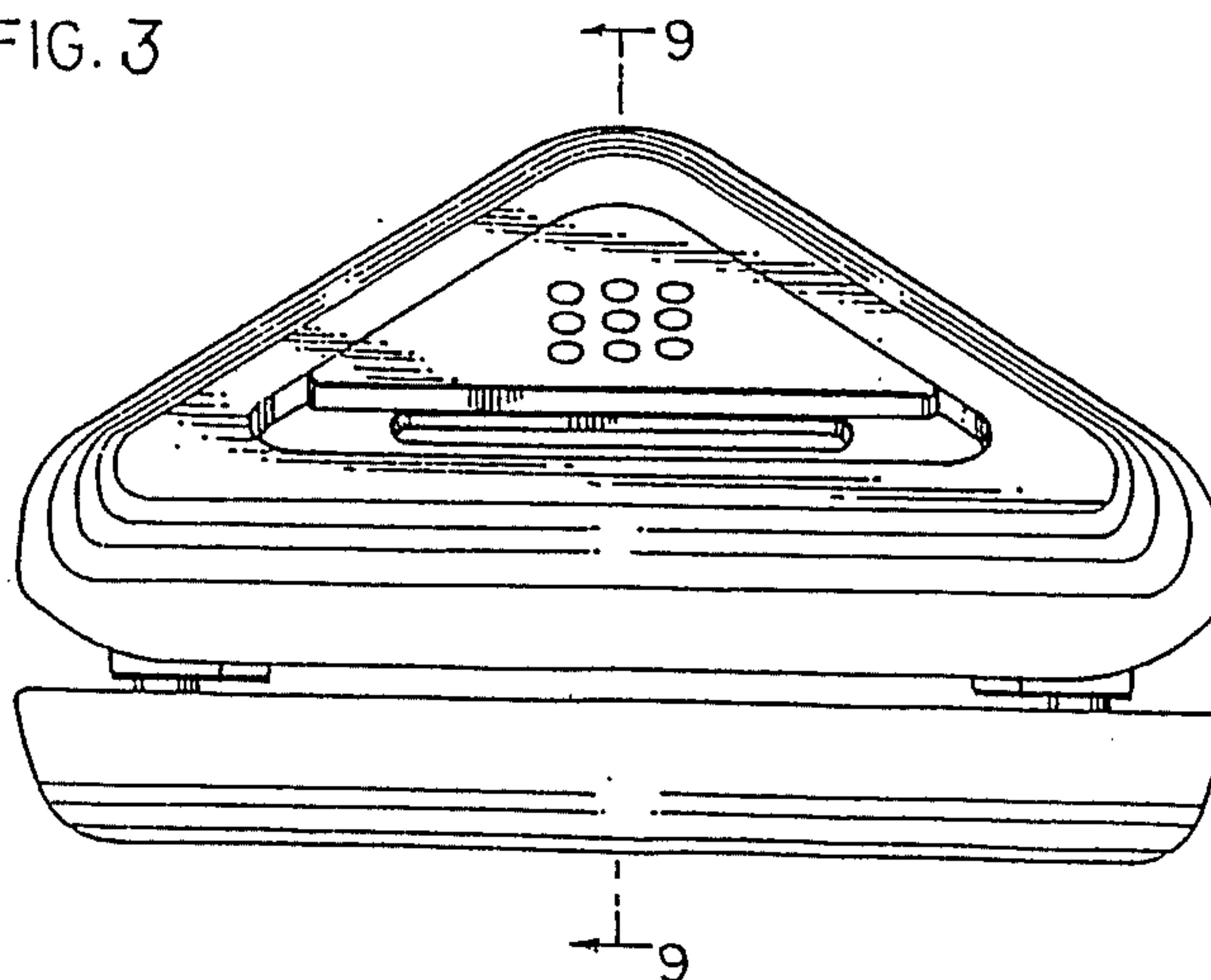


FIG. 4

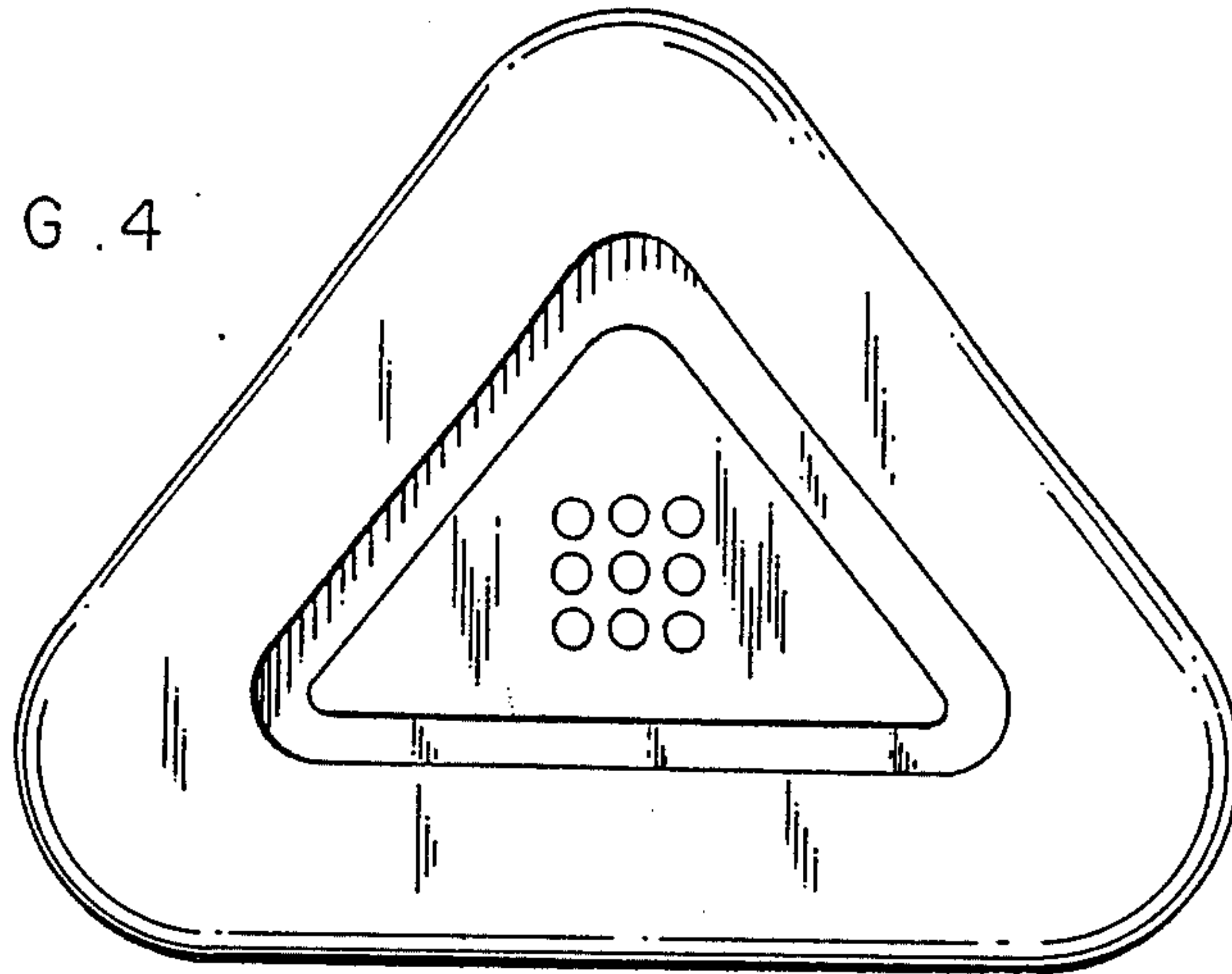


FIG. 5

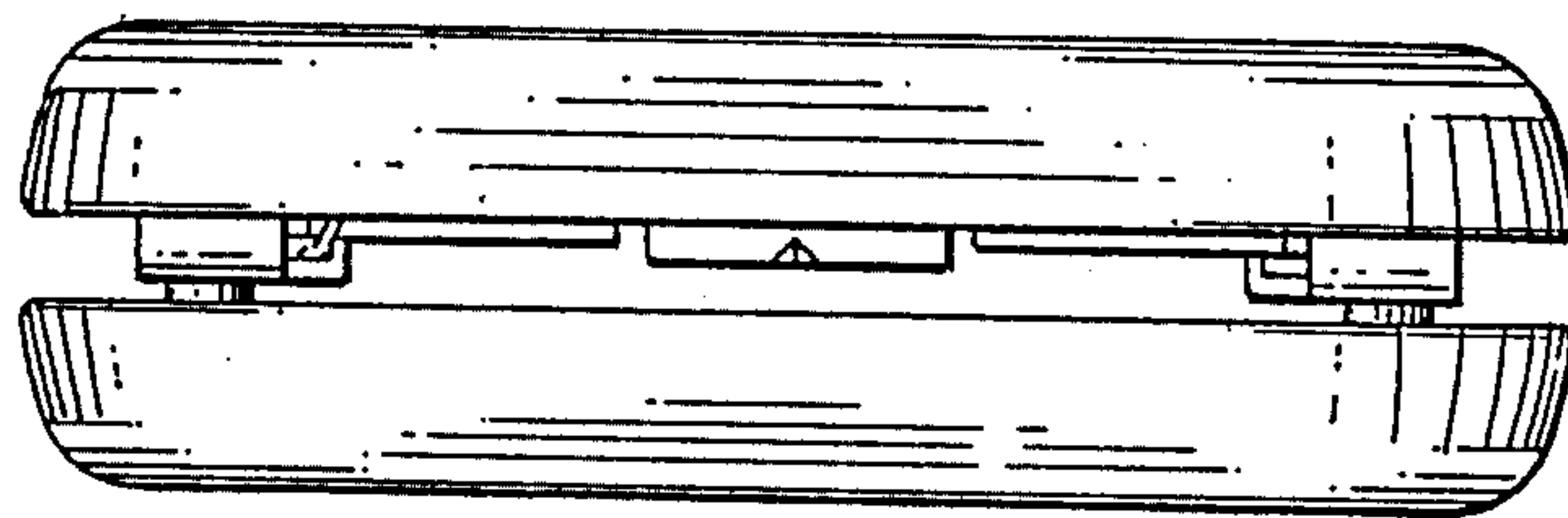


FIG. 6

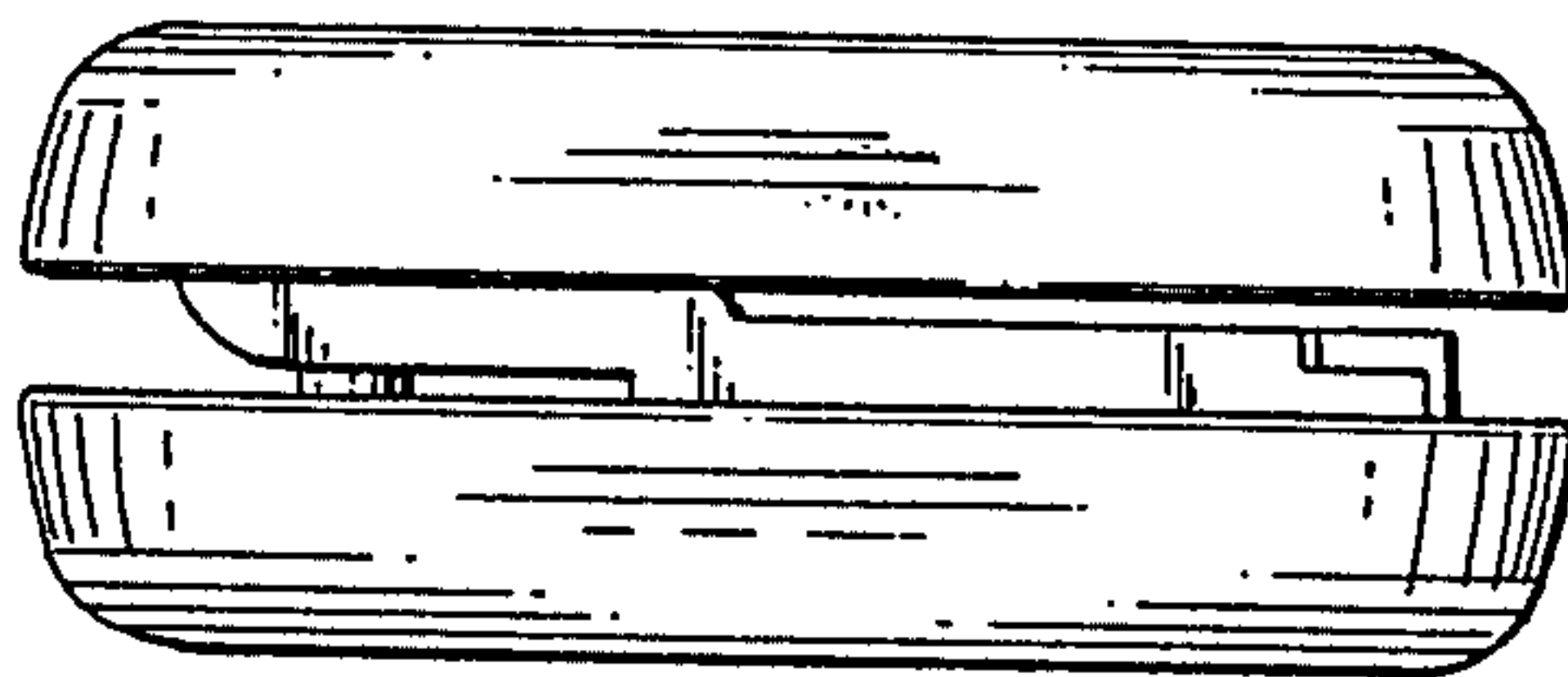


FIG. 7

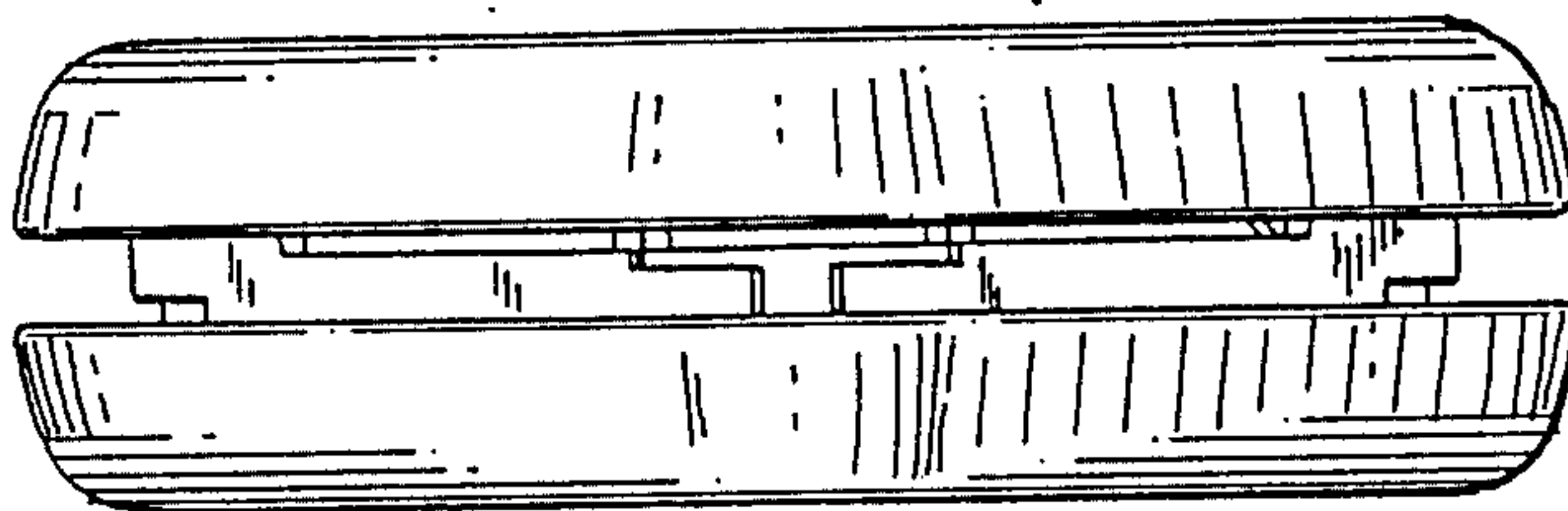


FIG. 8

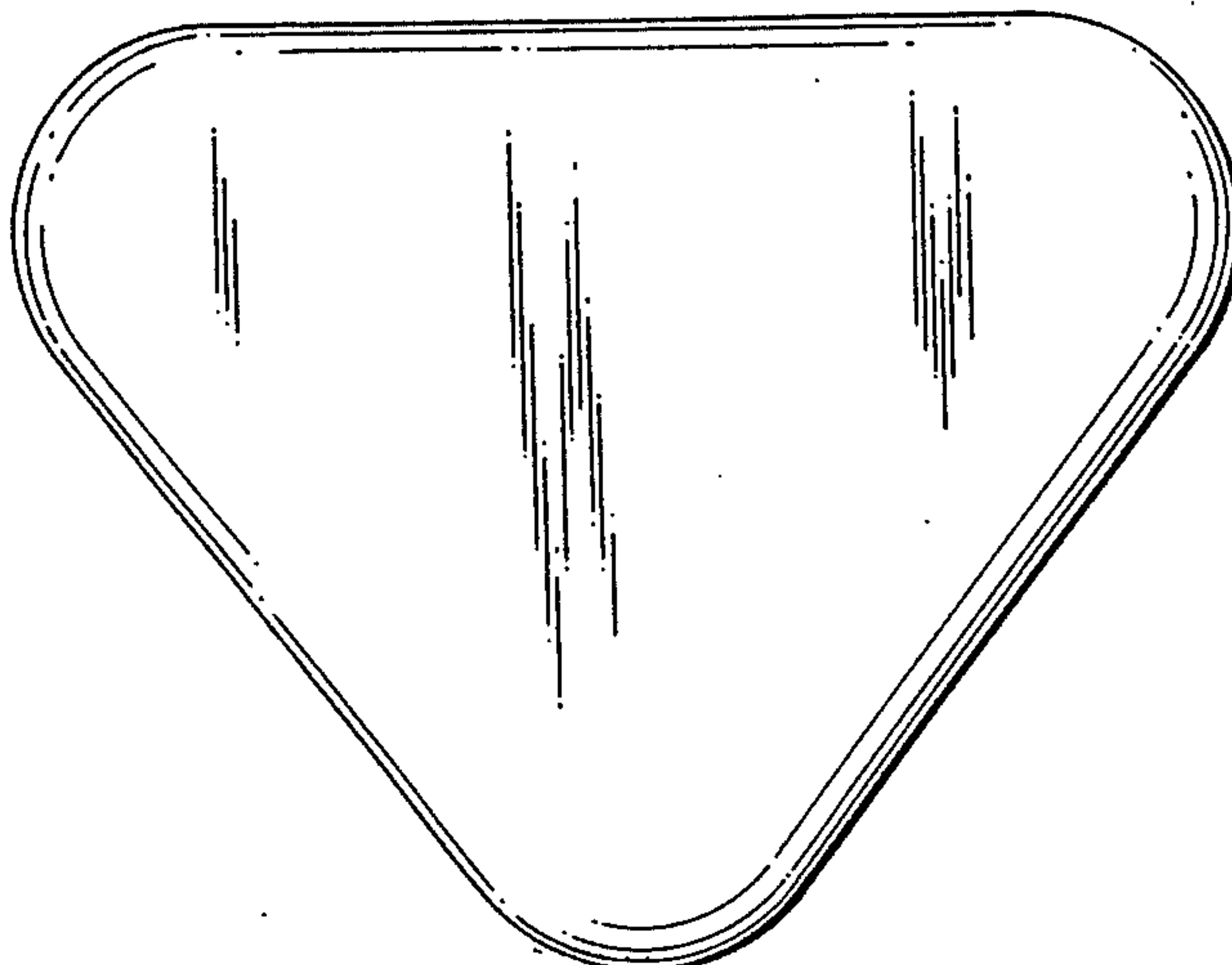


FIG. 9

