

[54] SORTING AND INSPECTING TEST BOX

[75] Inventors: Kris Kagelmann-Holtz; Gene Mihleisen, both of Milwaukee, Wis.; Tracy M. Gibbons, Chicago, Ill.

[73] Assignee: Manpower Inc., Milwaukee, Wis.

[**] Term: 14 Years

[21] Appl. No.: 10,574

[22] Filed: Feb. 3, 1987

[52] U.S. Cl. D19/59

[58] Field of Search D19/60, 61, 62, 63, D19/64, 59; D21/14, 33, 34; D9/414, 418, 432, 341, 347, 345, 420, 425, 424; D28/76, 77, 83, 99; D3/30.1; D24/31; 206/387, 385, 347, 44.11, 44.12, 44.13, 44.14, 45.14, 45.19, 45.31; 229/120.02, 557, 561

[56] References Cited

U.S. PATENT DOCUMENTS

D. 267,726 1/1983 Ehrenreich D19/59
3,620,367 11/1971 Stembel 206/387

Primary Examiner—James M. Gandy
Assistant Examiner—Pamela J. Schmidt
Attorney, Agent, or Firm—Quarles & Brady

[57] CLAIM

The ornamental design for a sorting and inspecting test box, as shown.

DESCRIPTION

FIG. 1 is a top perspective view of a sorting and inspecting test box showing our new design; FIG. 2 is a front elevational view thereof; FIG. 3 is a top plan view thereof; FIG. 4 is a right side elevational view thereof; FIG. 5 is a left side elevational view thereof; FIG. 6 is a rear elevational view thereof; FIG. 7 is a bottom plan view thereof; and FIG. 8 is a cross sectional view taken along line 8—8 of FIG. 2.

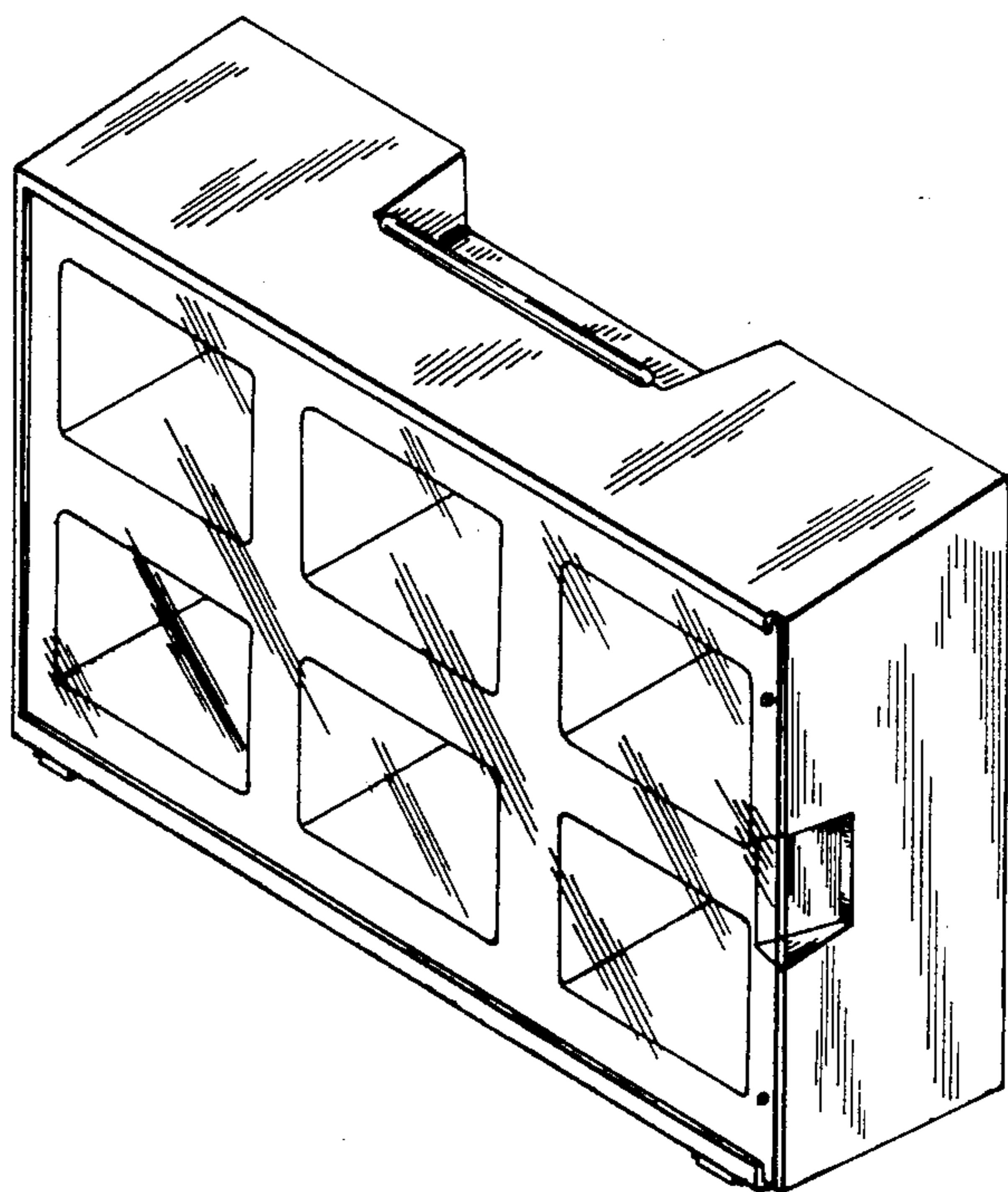
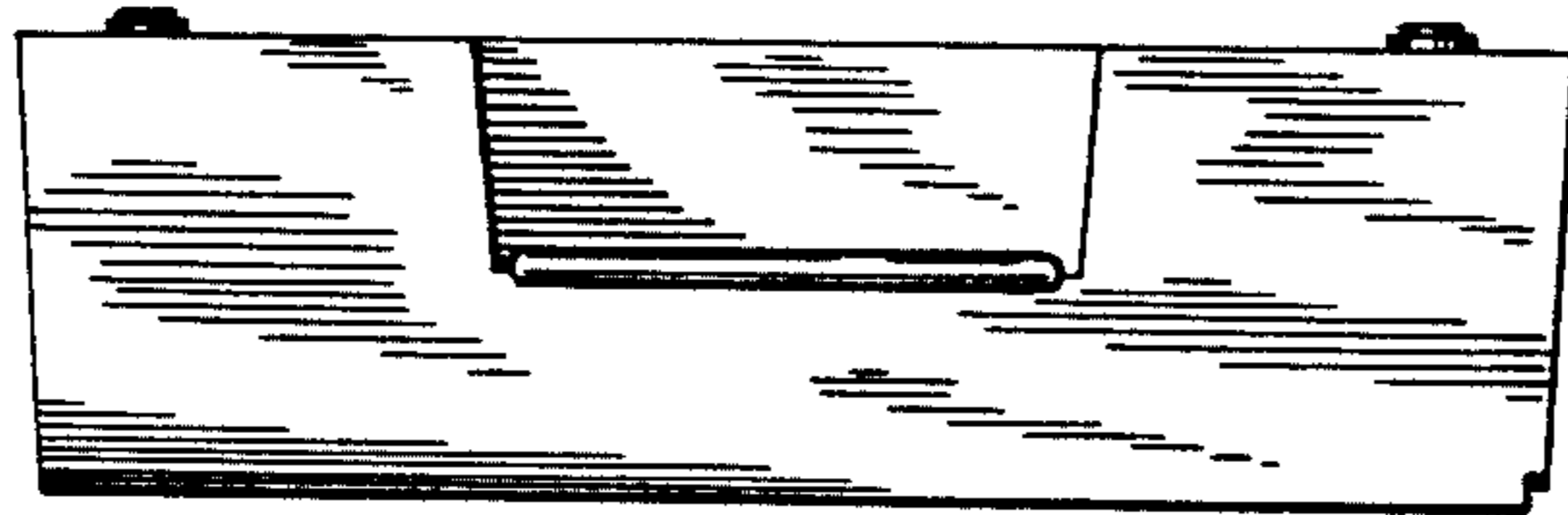


FIG. 1

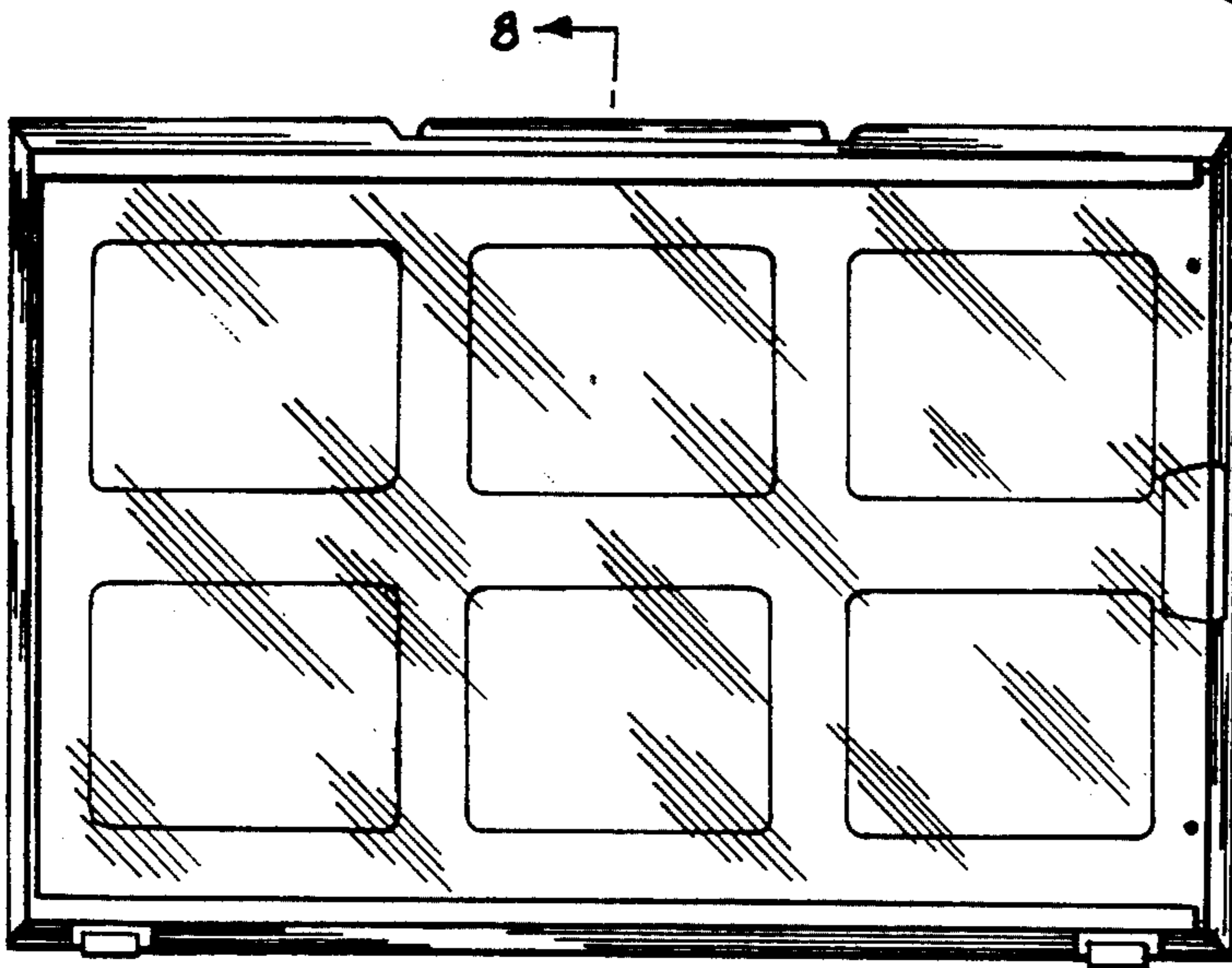
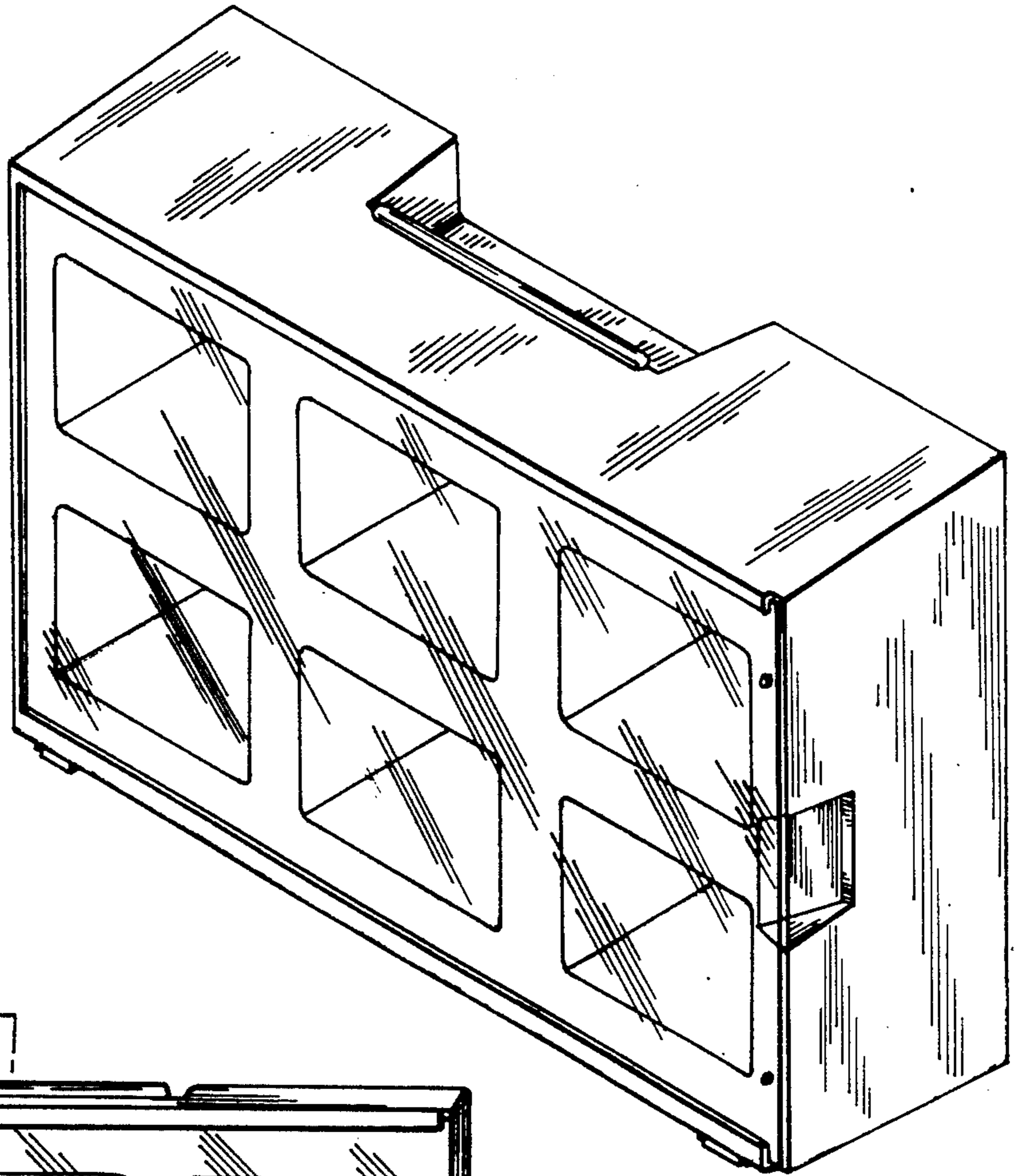


FIG. 2

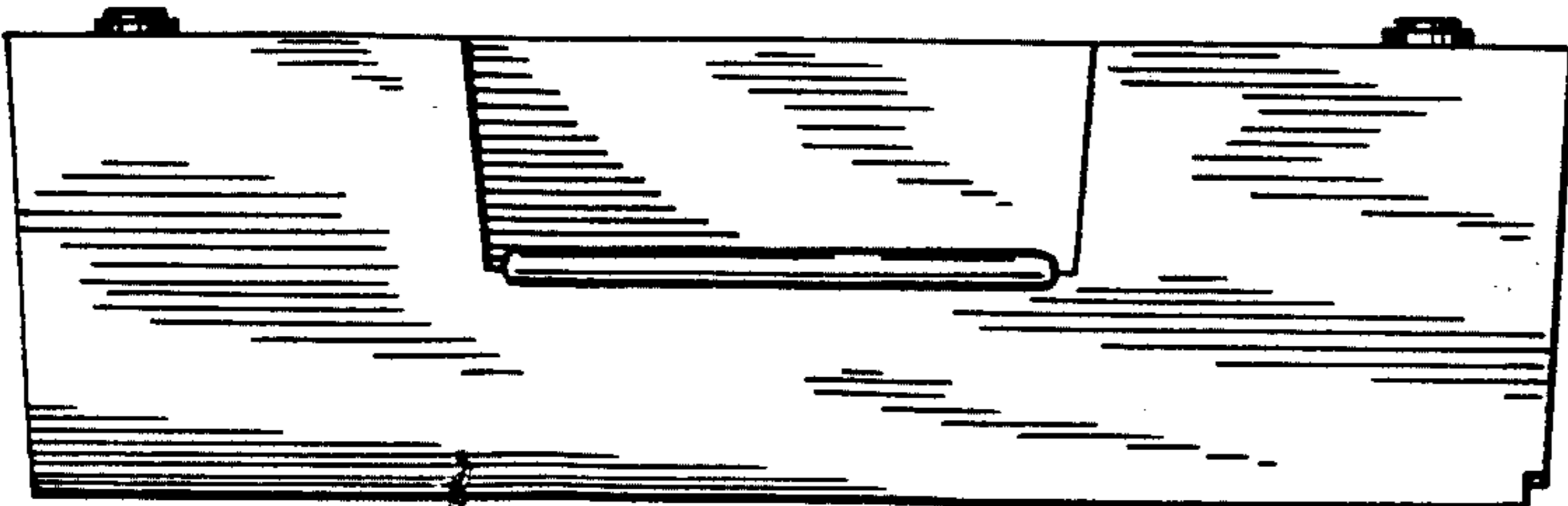


FIG. 3

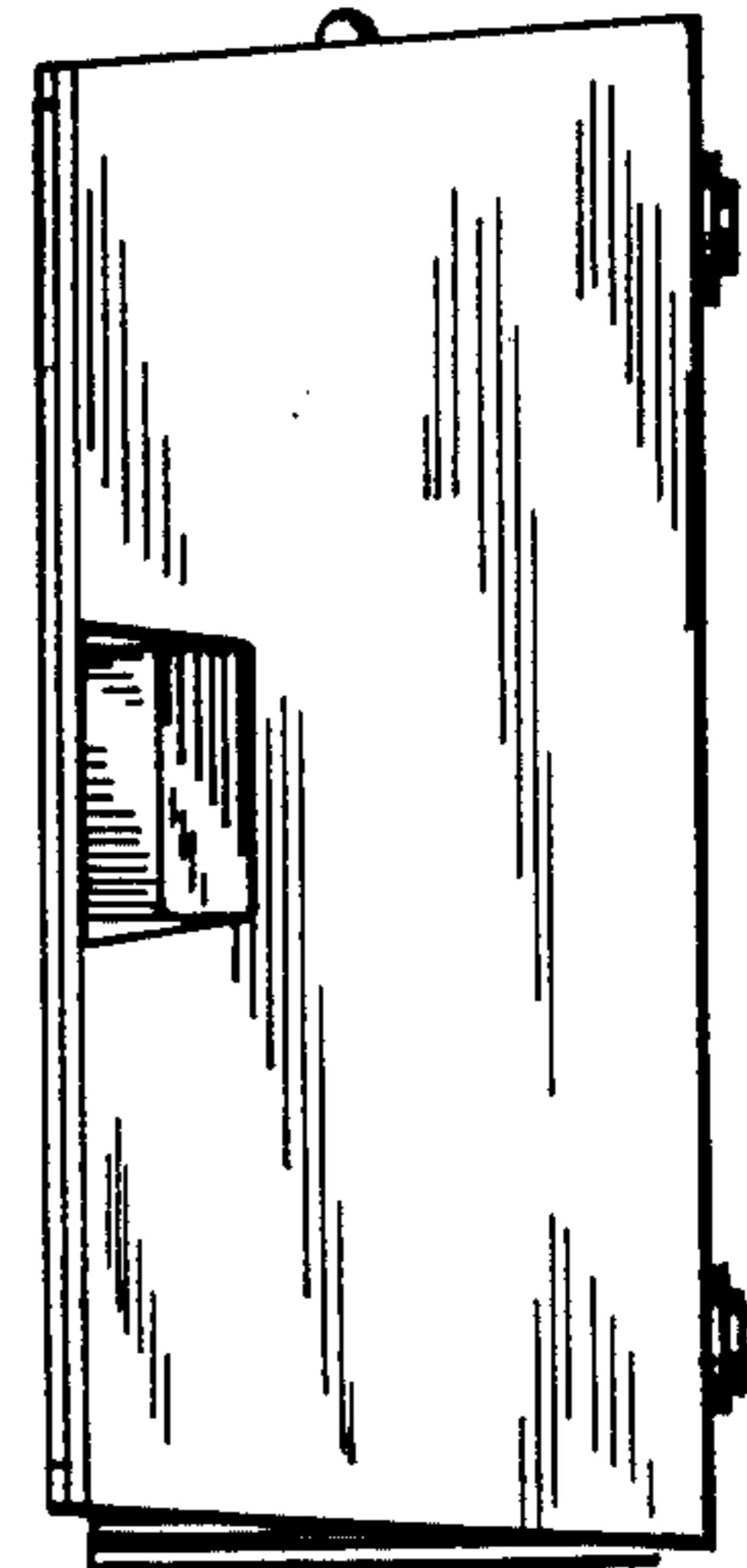


FIG. 4

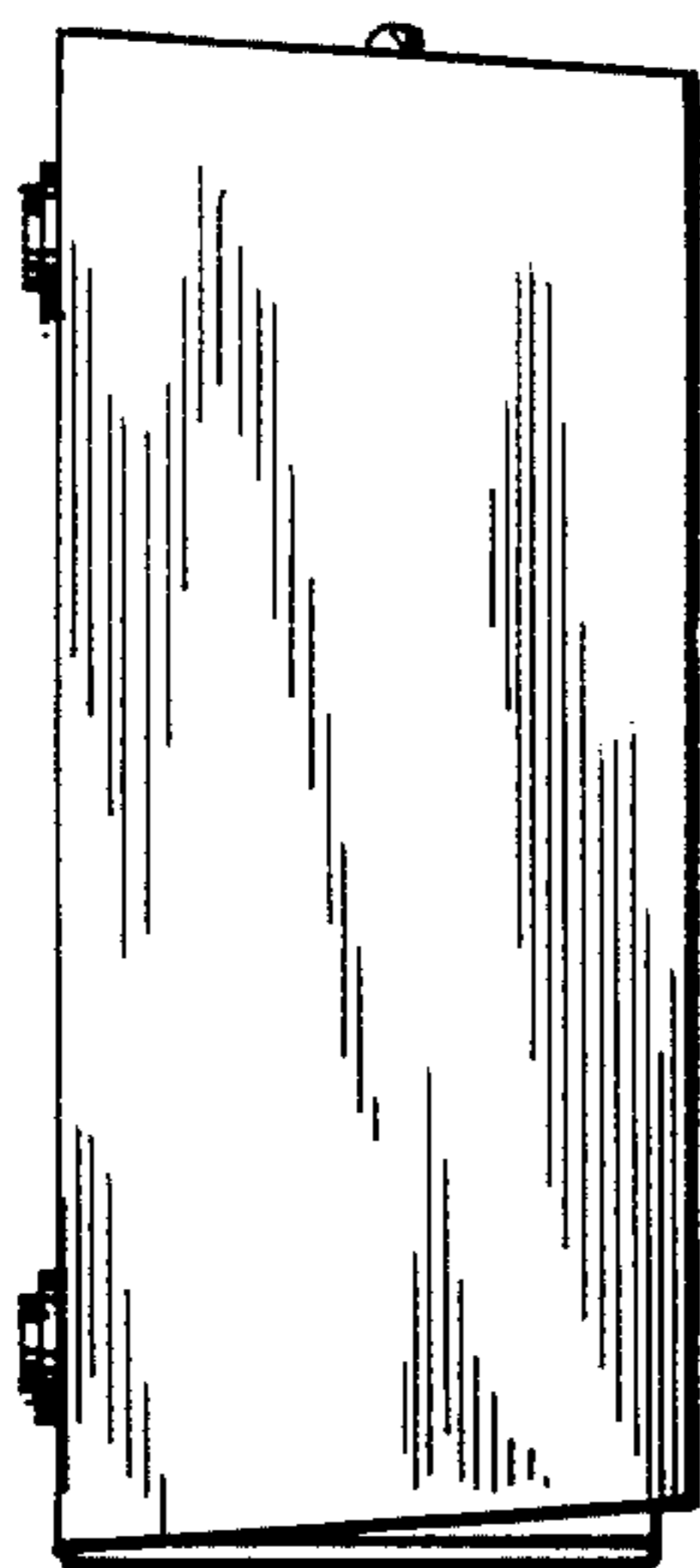


FIG. 5

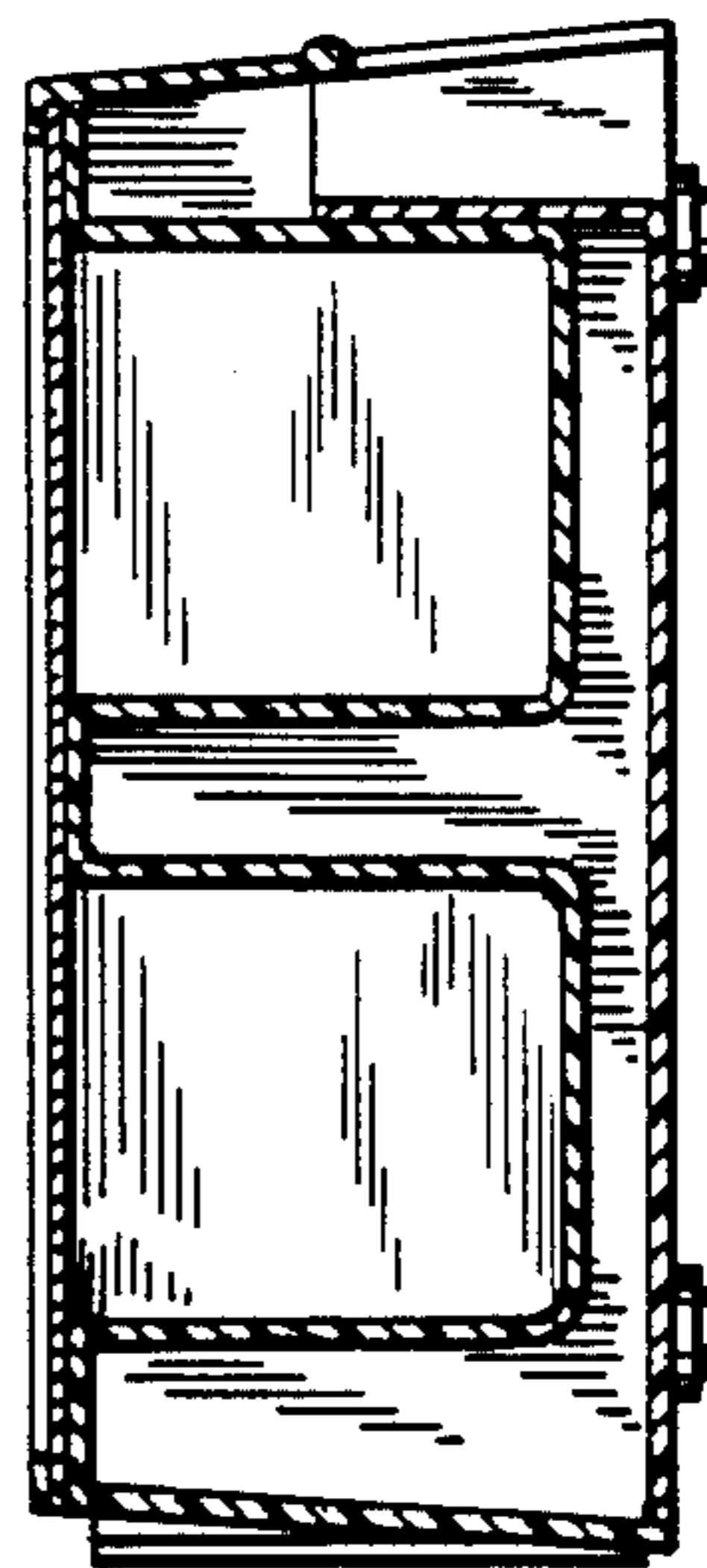


FIG. 8

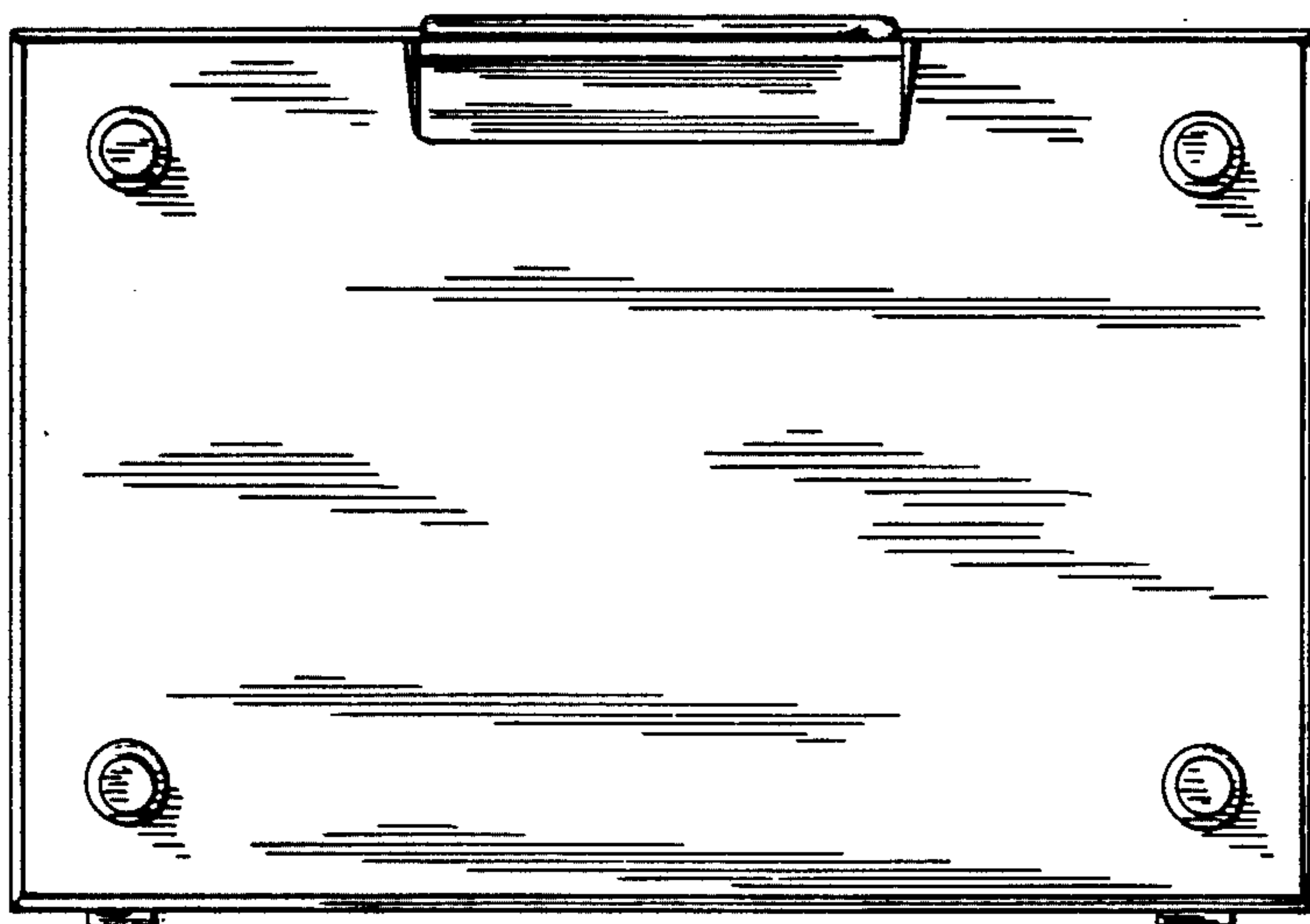


FIG. 6

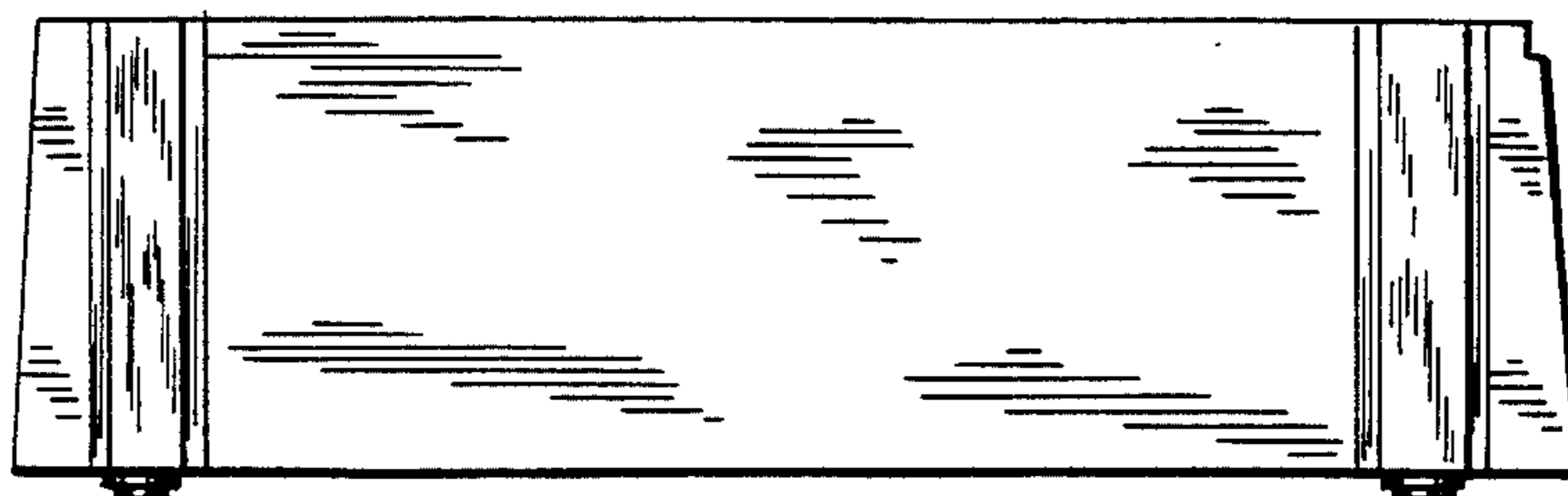


FIG. 7