

[54] **SORTER FOR COPYING MACHINE**

[75] **Inventor: Tomohiko Hirata, Kawasaki, Japan**

[73] **Assignee: Canon Kabushiki Kaisha, Tokyo, Japan**

[**] **Term: 14 Years**

[21] **Appl. No.: 236,781**

[22] **Filed: Aug. 26, 1988**

[30] **Foreign Application Priority Data**

Mar. 1, 1988 [JP] Japan 63-8325
[52] **U.S. Cl.** **D18/42**
[58] **Field of Search** **D18/36-44;**
D14/110-114; 271/287; 355/322, 323

[56] **References Cited**

U.S. PATENT DOCUMENTS

D. 295,184 4/1988 Aoyama D18/42
D. 299,832 2/1989 Hara D18/42

OTHER PUBLICATIONS

Sharp Copier Brochure; SF-450 Collator.
Canon Plain Paper Copier Brochure; back cover NP--
Sorter III.
The Office; 7/1985; p. 105; Minolta Sorter; left hand
side.

Primary Examiner—Nelson C. Holtje
Assistant Examiner—Caron D. Veynar
Attorney, Agent, or Firm—Fitzpatrick, Cella, Harper &
Scinto

[57] **CLAIM**

The ornamental design for a sorter for copying machine, as shown and described.

DESCRIPTION

FIG. 1 is a right side elevational view of a sorter for copying machine showing my new design;
FIG. 2 is a left side elevational view thereof;
FIG. 3 is a top plan view thereof;
FIG. 4 is a bottom plan view thereof;
FIG. 5 is a front elevational view thereof;
FIG. 6 is a rear elevational view thereof;
FIG. 7 is a right, front perspective view thereof.

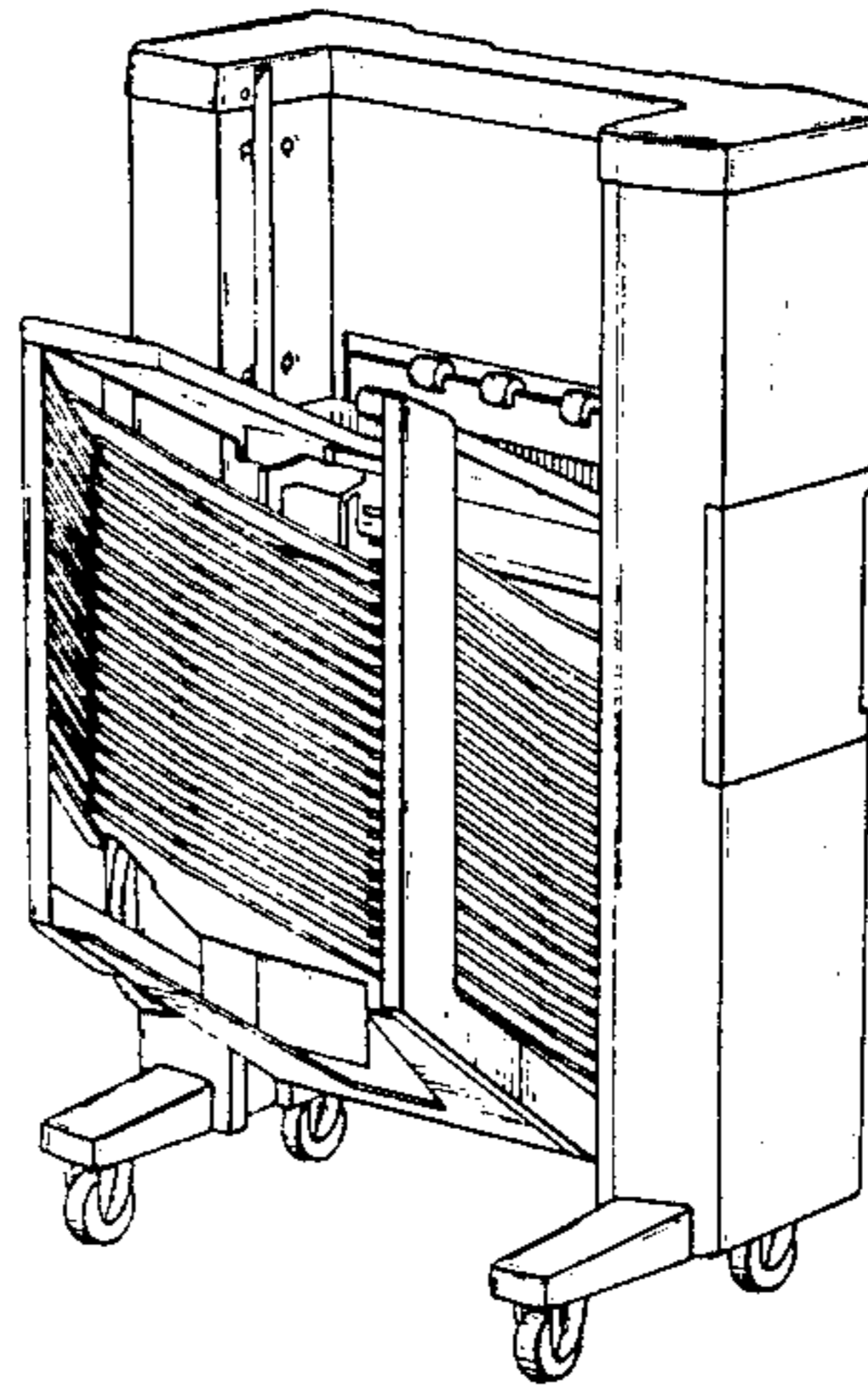


FIG. 1

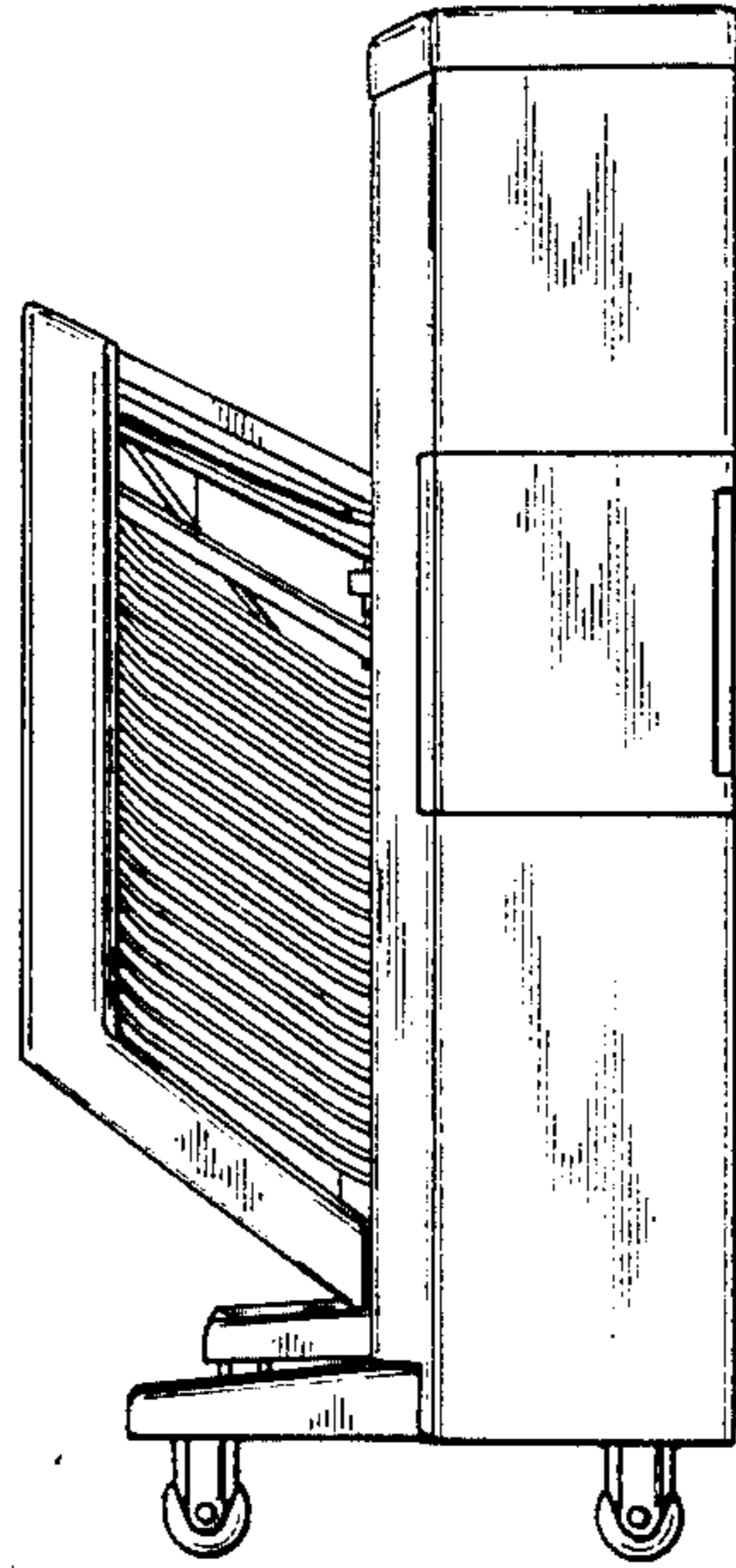


FIG. 2

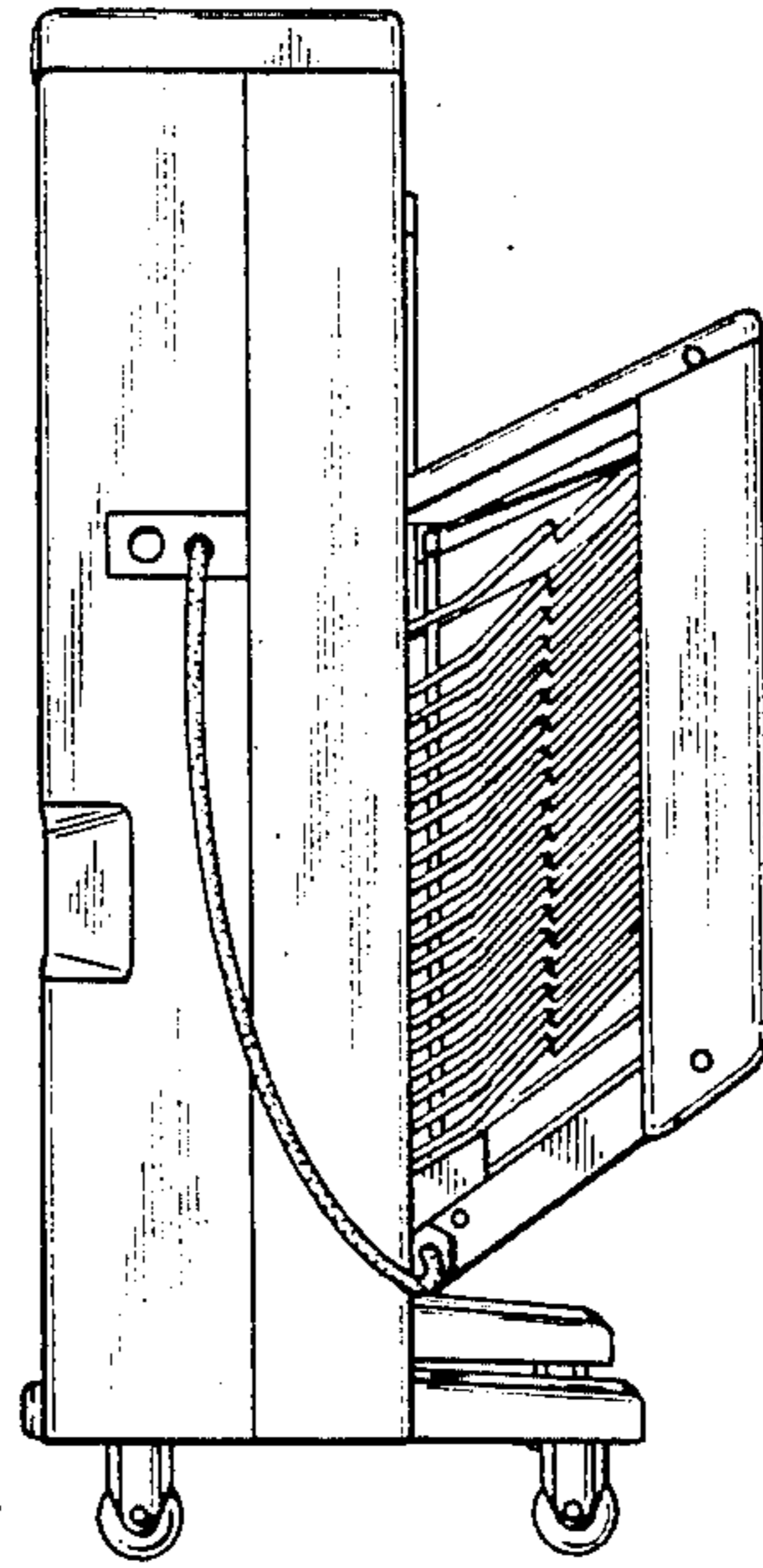


FIG. 3

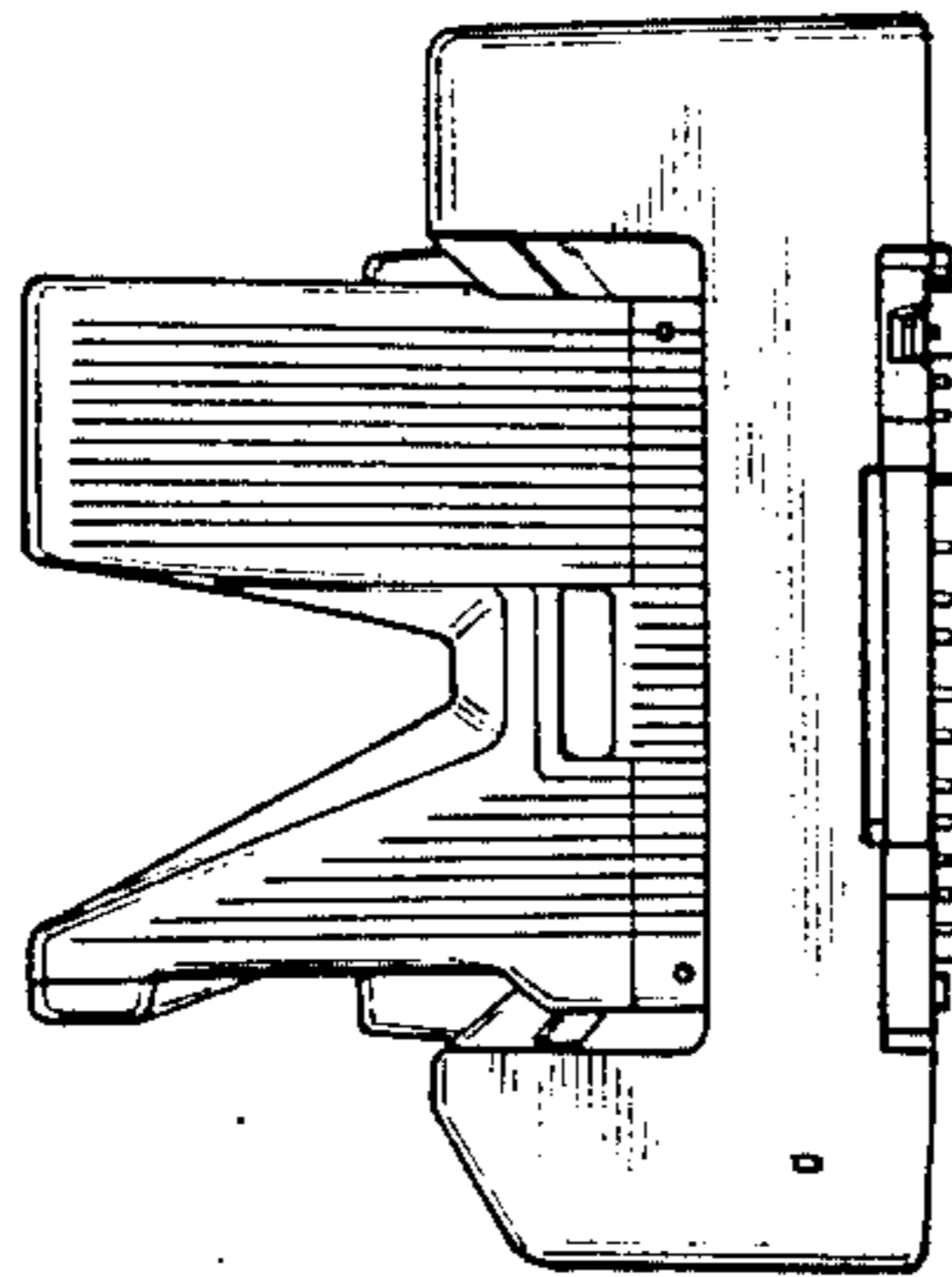


FIG. 4

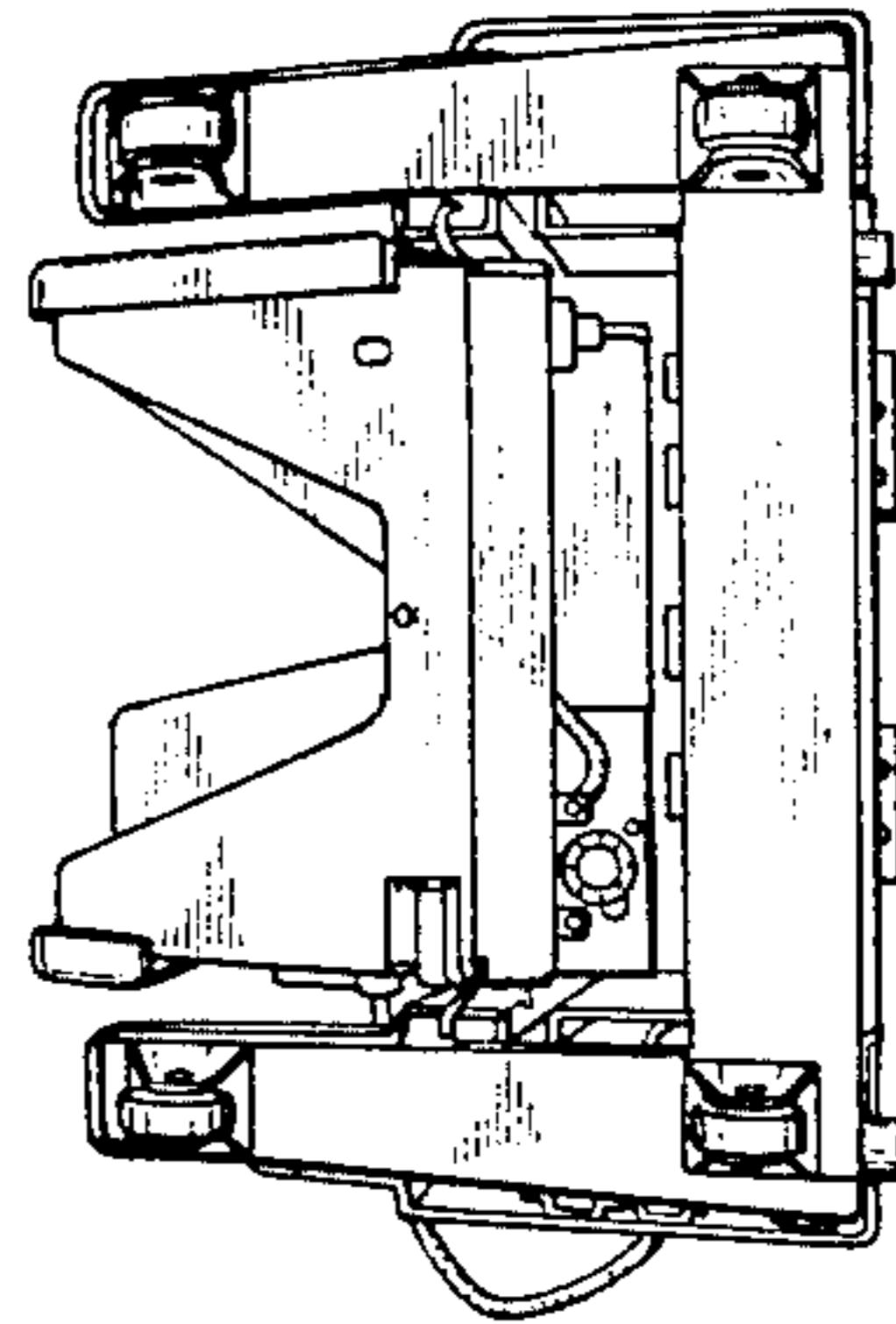


FIG. 5

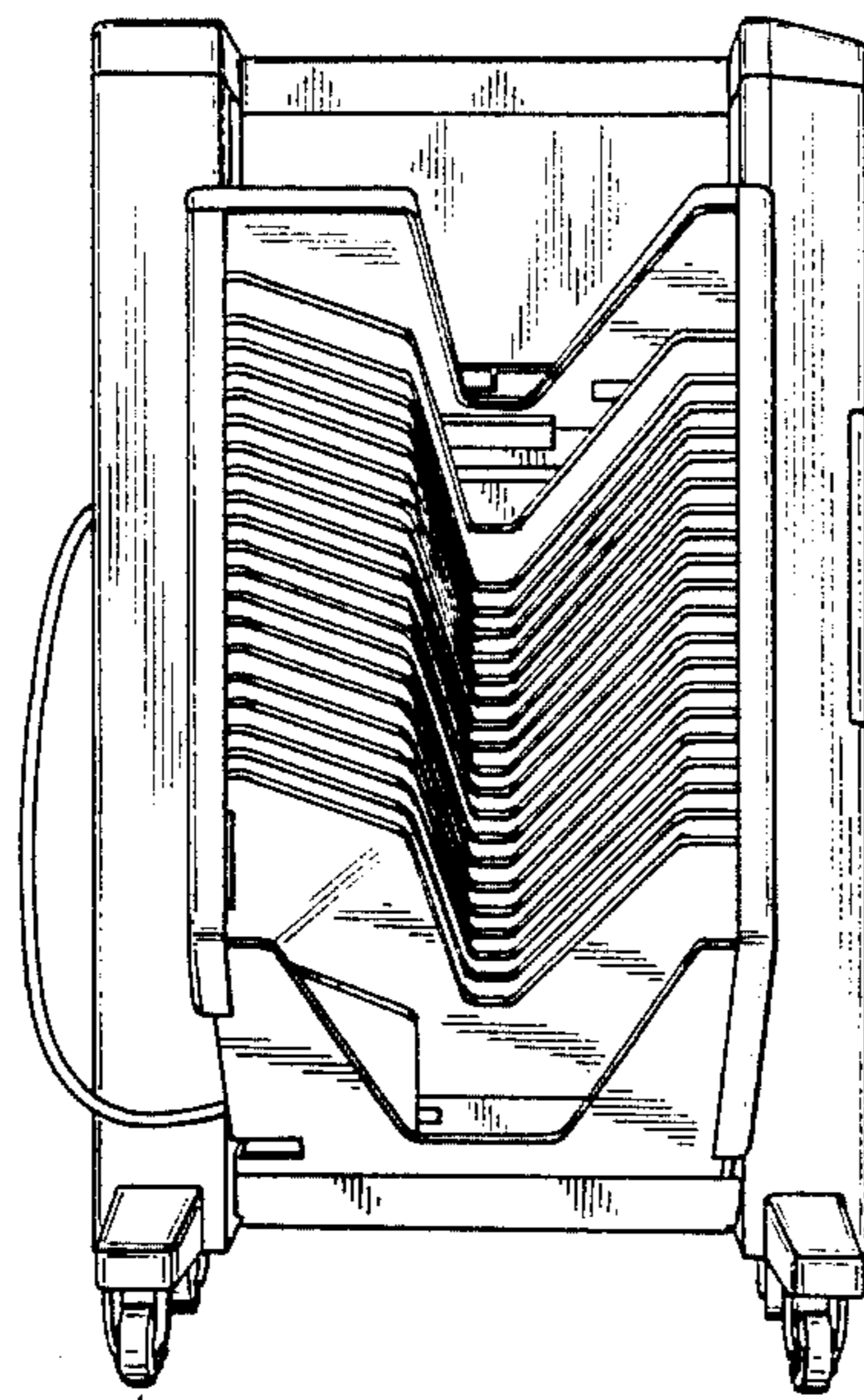


FIG. 6

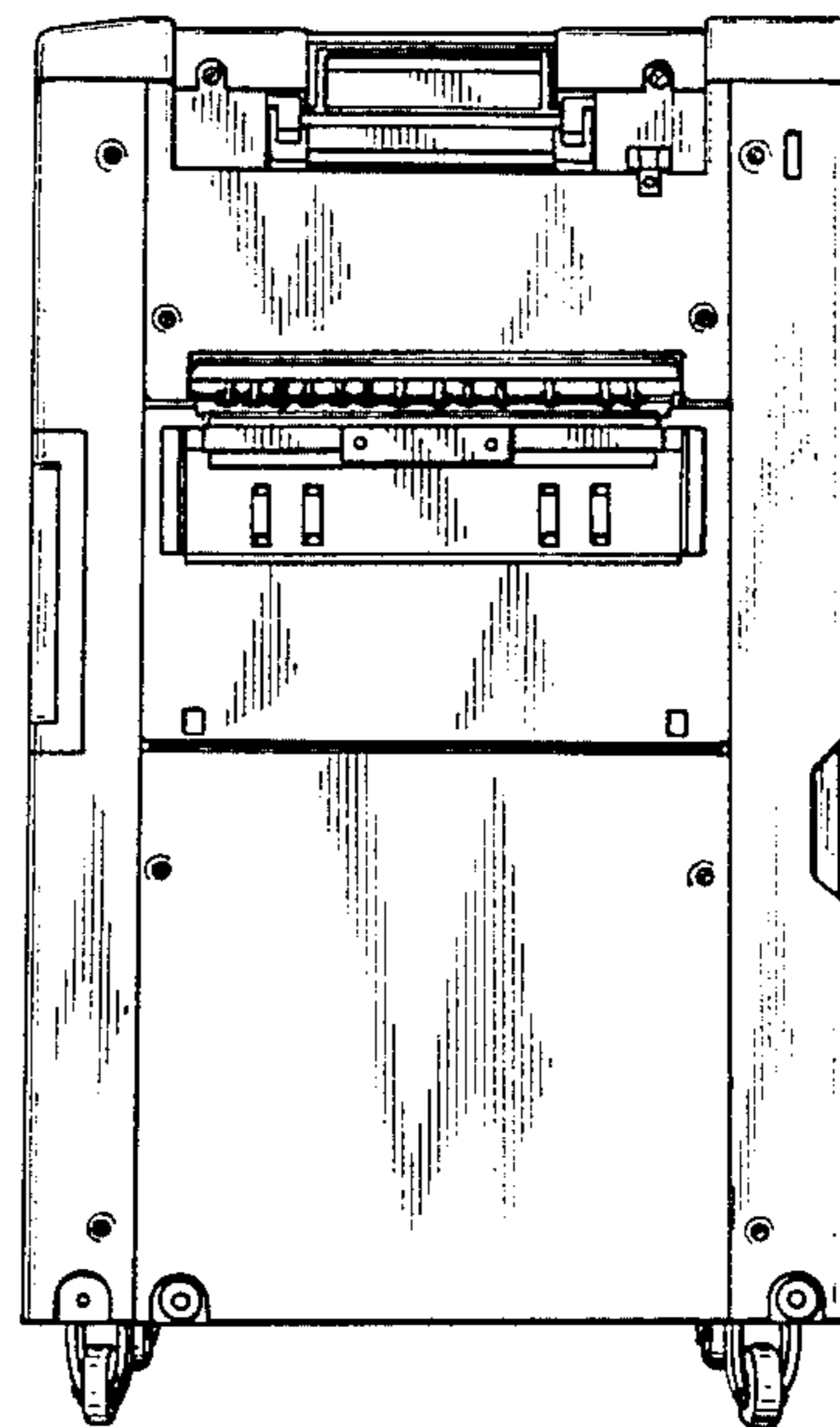


FIG. 7

