

[54] **PROCESS UNIT FOR COPYING MACHINE**

[75] **Inventors: Shigeo Koyama, Ibaragi; Eiji Etoh, Osaka, both of Japan**

[73] **Assignee: Mita Industrial Co., Ltd., Osaka, Japan**

[**] **Term: 14 Years**

[21] **Appl. No.: 320,722**

[22] **Filed: Mar. 8, 1989**

[30] **Foreign Application Priority Data**

Nov. 11, 1988 [JP] Japan 63-44378

[52] **U.S. Cl. D18/40**

[58] **Field of Search D18/40, 43; 355/245, 355/260**

[56] **References Cited**

U.S. PATENT DOCUMENTS

D. 286,542 11/1986 Saito D18/43

4,523,615 6/1985 Feenstra et al. 355/260

4,596,455 6/1986 Kohyama et al. 355/260

FOREIGN PATENT DOCUMENTS

0230033 7/1987 European Pat. Off. 355/260

0200280 11/1984 Japan 355/260

0279870 12/1986 Japan 355/260

0127775 6/1987 Japan 355/260

Primary Examiner—Bruce W. Dunkins
Assistant Examiner—Caron D. Veynar
Attorney, Agent, or Firm—Jordan and Hamburg

[57] **CLAIM**

The ornamental design for a process unit for copying machine, as shown and described.

DESCRIPTION

FIG. 1 is a front elevational view of a process unit for copying machine showing our new design;

FIG. 2 is a top plan view thereof;

FIG. 3 is a rear elevational view thereof;

FIG. 4 is a bottom plan view thereof;

FIG. 5 is a right side elevational view thereof;

FIG. 6 is a left side elevational view thereof;

FIG. 7 is a right front perspective view thereof.

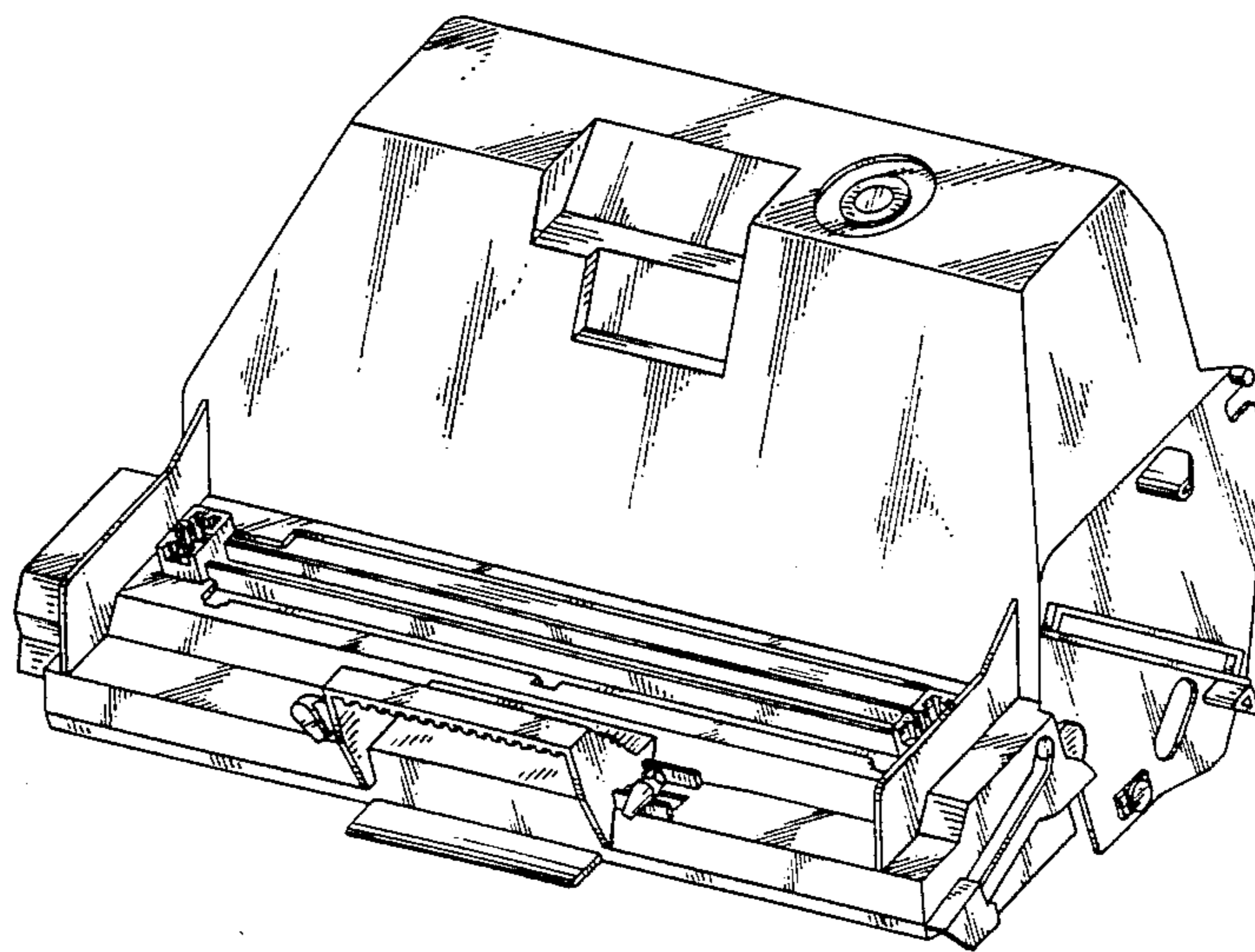


FIG. 1

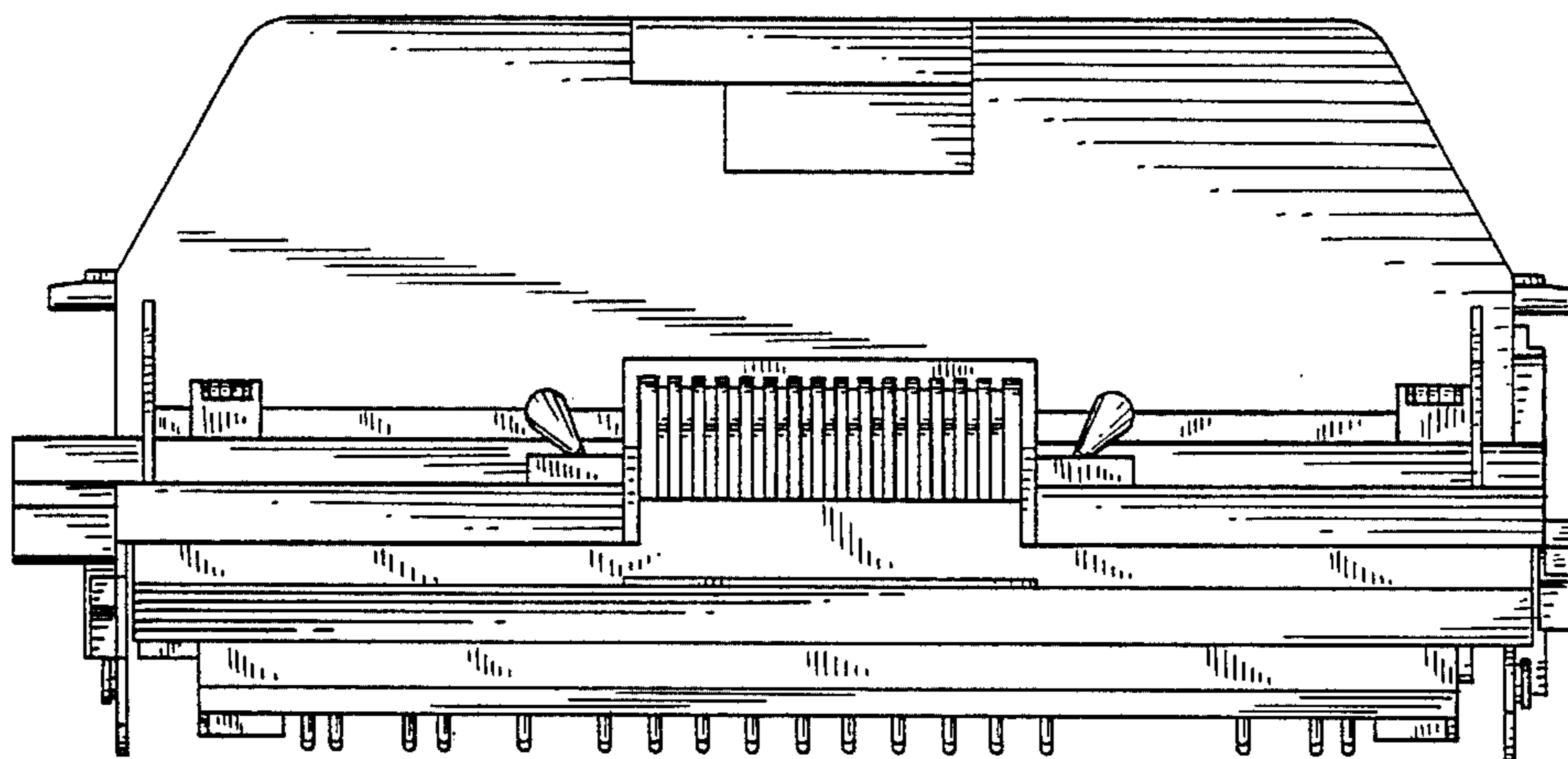


FIG. 2

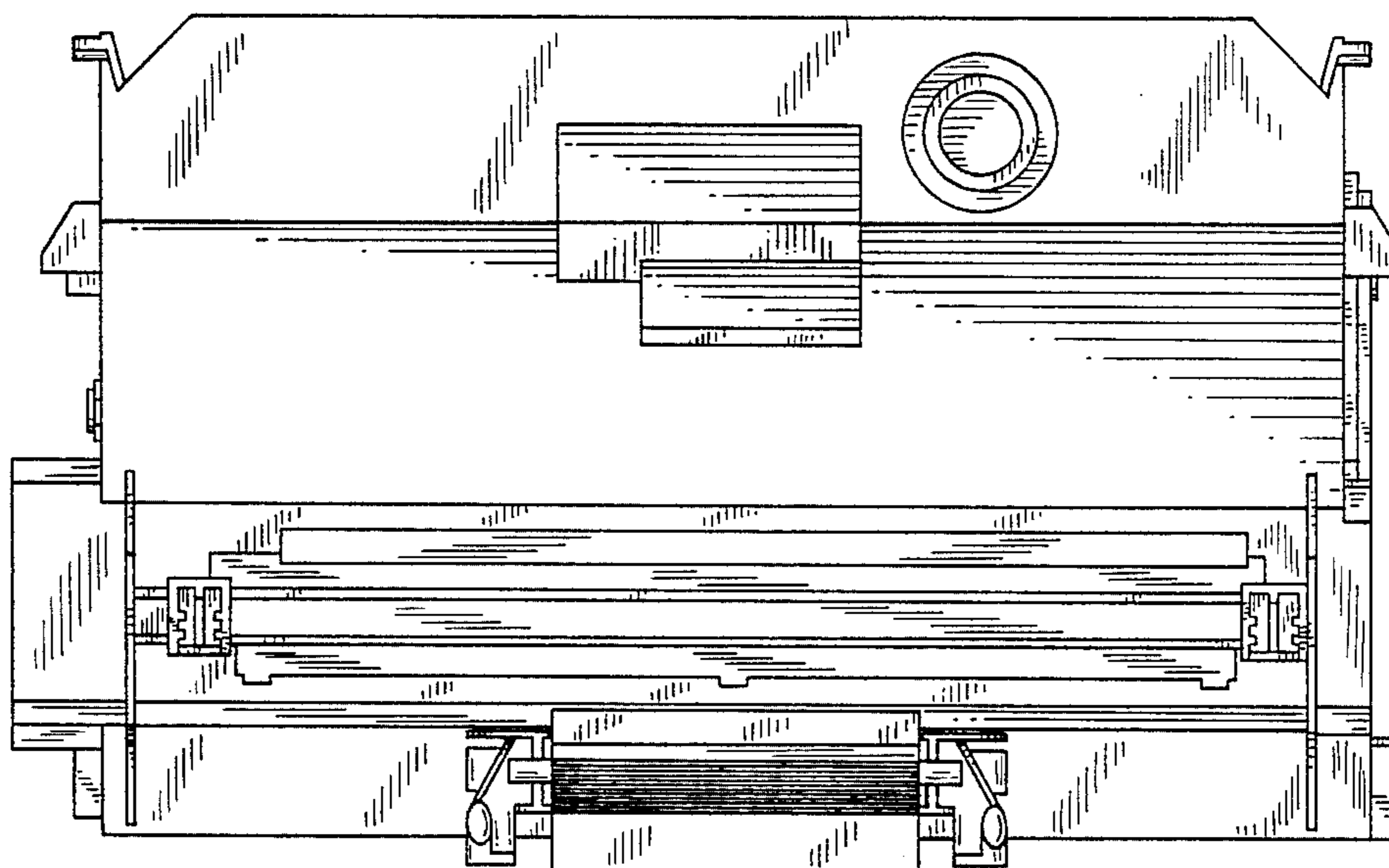


FIG. 3

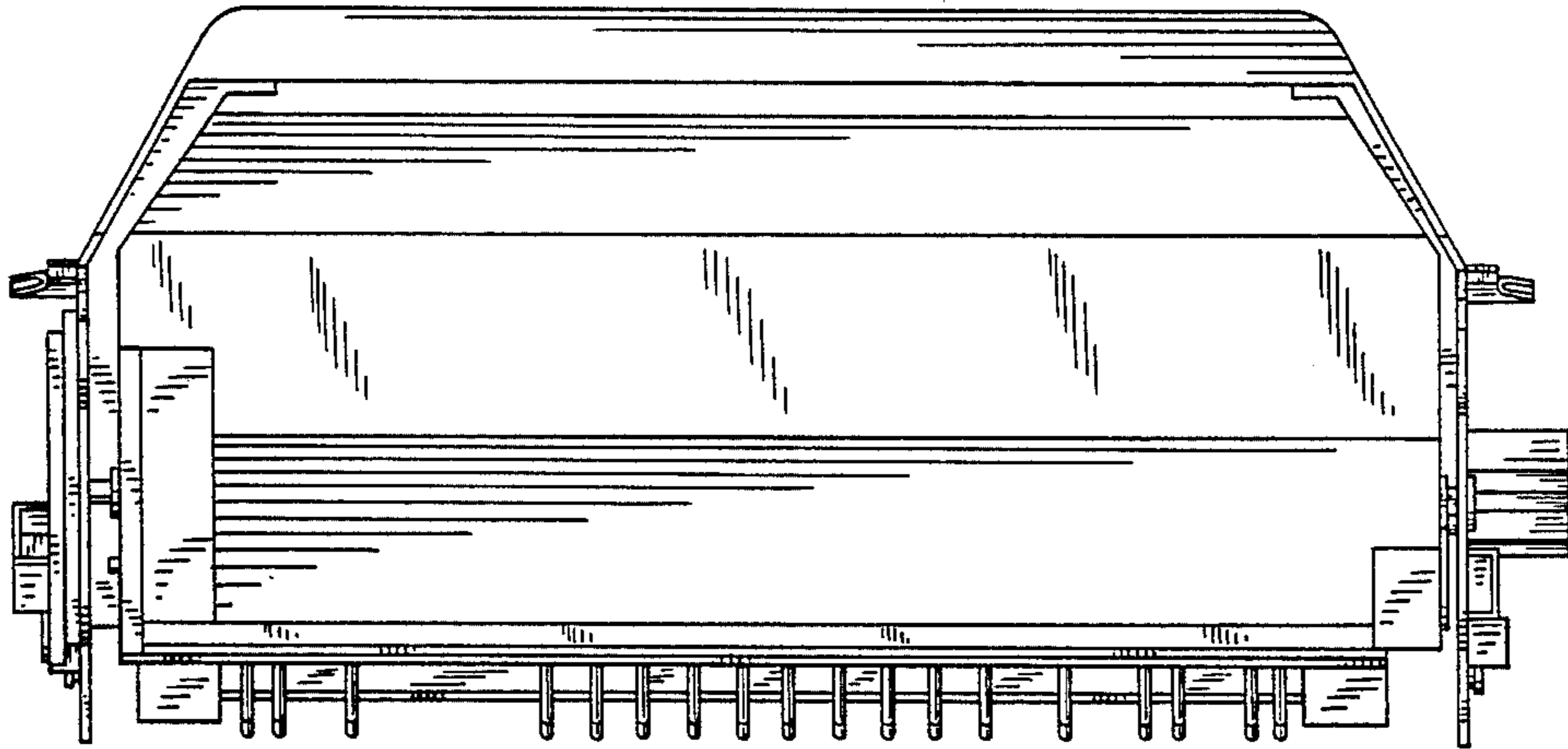


FIG. 4

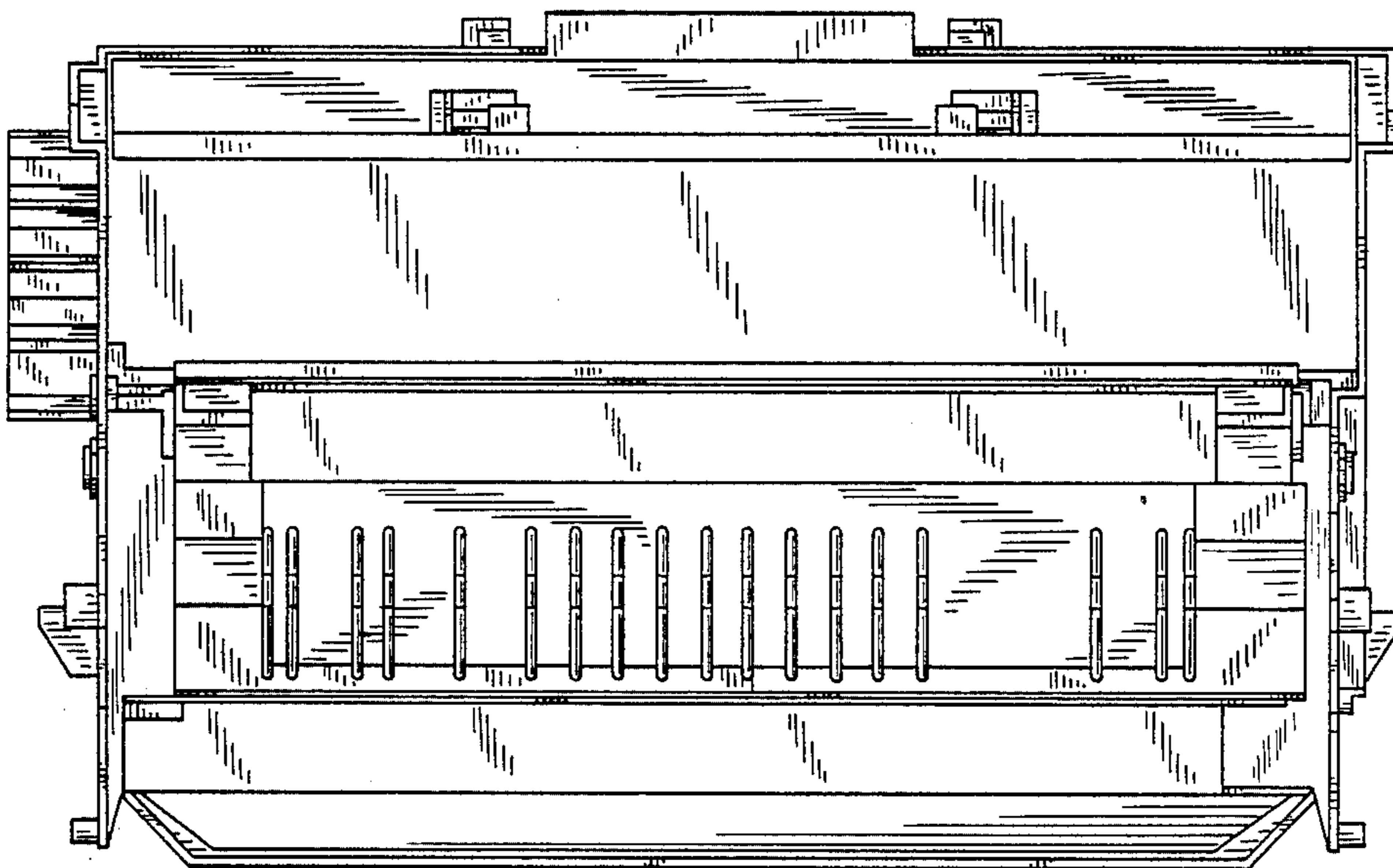


FIG. 5

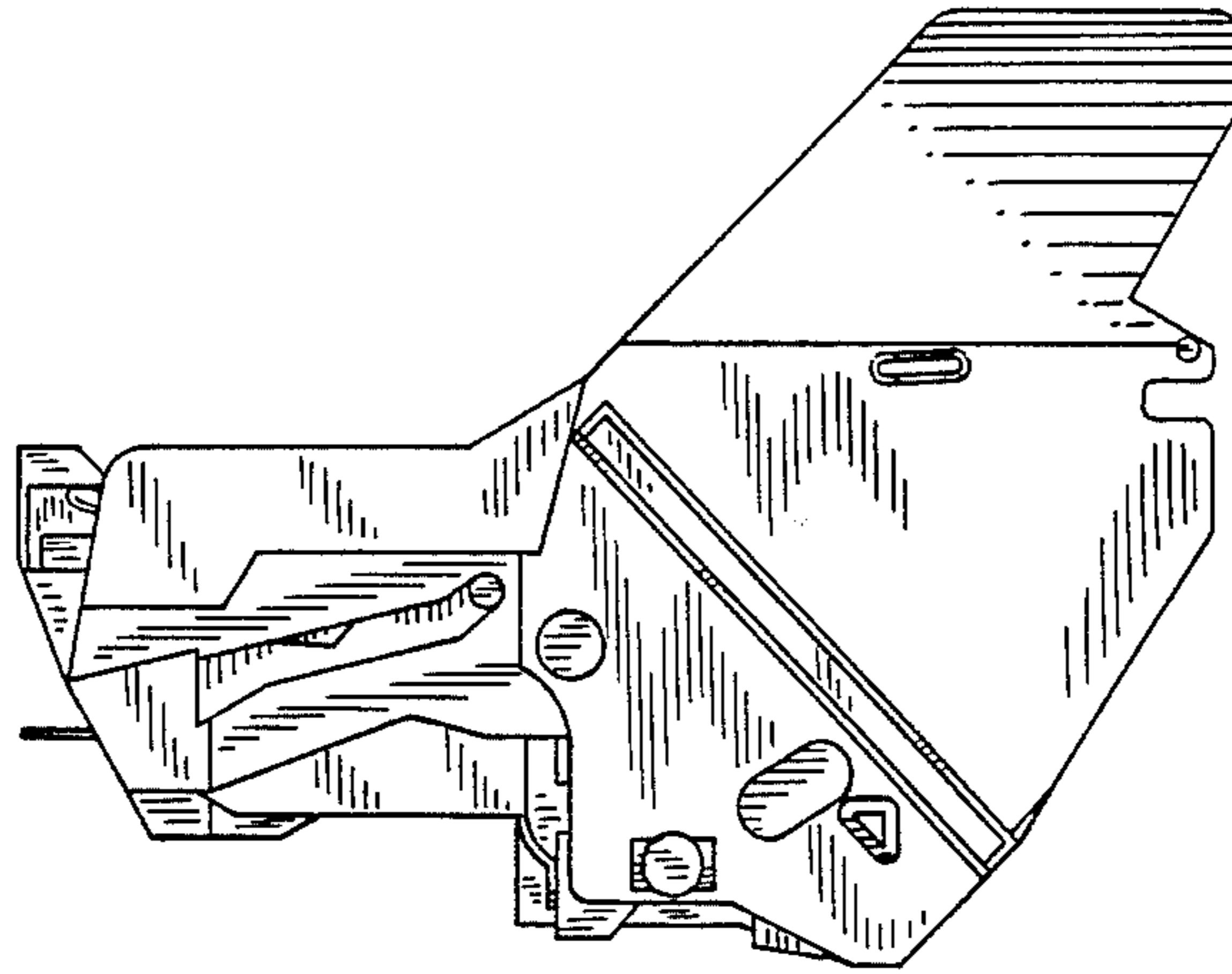


FIG. 6

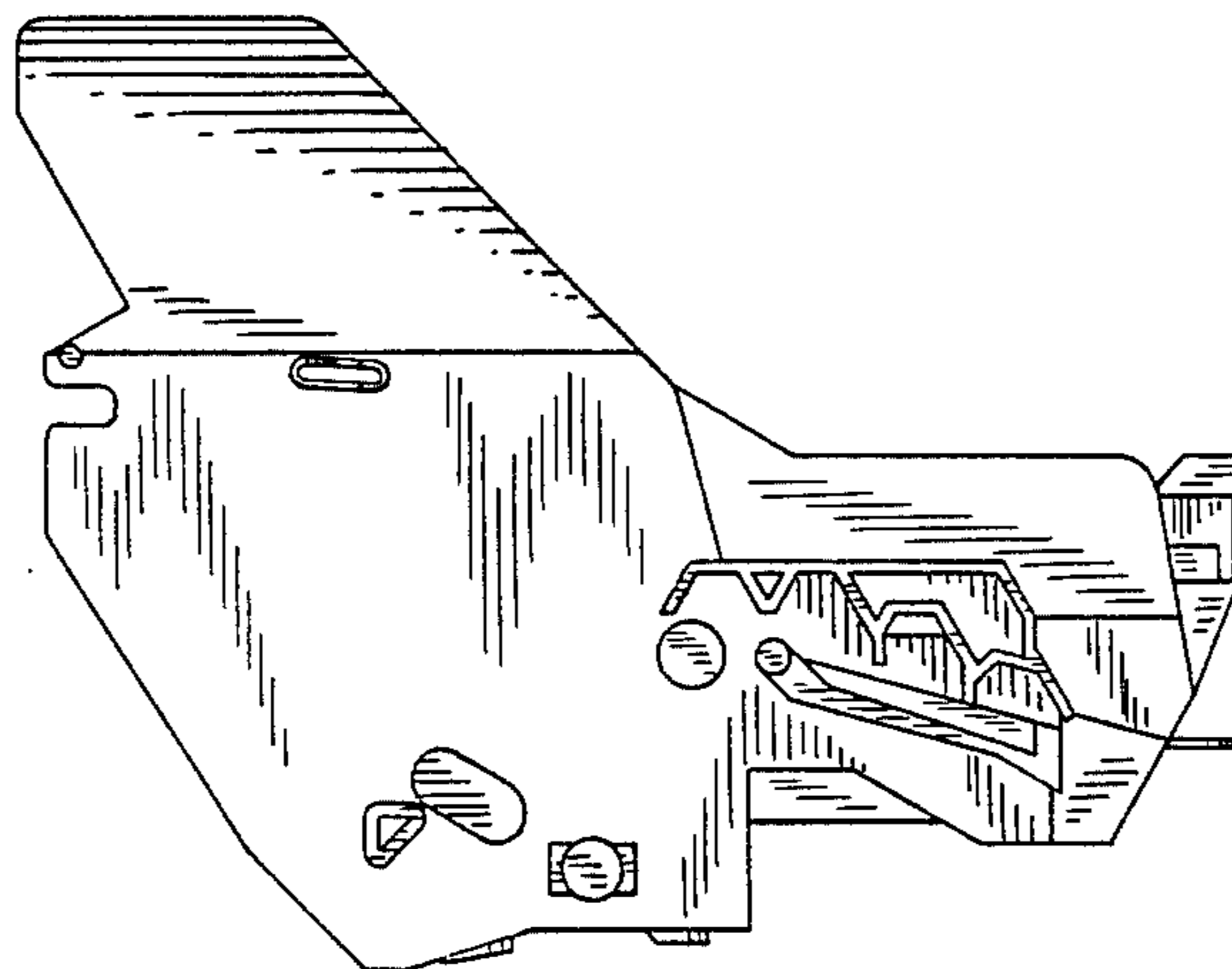


FIG. 7

