

[54] ELECTRONIC CASH REGISTER OR SIMILAR ARTICLE

[75] Inventor: Bruce A. Quinn, Beavercreek, Ohio

[73] Assignee: NCR Corporation, Dayton, Ohio

[\*\*] Term: 14 Years

[21] Appl. No.: 189,505

[22] Filed: May 2, 1988

[52] U.S. Cl. .... D18/4; D14/105

[58] Field of Search ..... D18/3, 4; D14/100, 105, D14/106, 113; 235/1 D, 1 E, 2, 4, 7 R, 10, 375, 379, 380, 419; 364/404, 405

- D. 264,600 5/1982 Yamasaki et al. .... D18/4
- D. 278,831 5/1985 Bressler et al. .... D18/3
- D. 287,592 1/1987 Perissinotto ..... D14/105
- D. 287,593 1/1987 Perissinotto ..... D14/105
- 2,798,429 7/1957 Werner et al. .... 101/336
- 3,752,957 8/1973 Oldenburg ..... 235/7 R
- 4,322,796 3/1982 Uchida et al. .... 364/405

Primary Examiner—Nelson C. Holtje  
Assistant Examiner—Caron D. Veynar  
Attorney, Agent, or Firm—Wilbert Hawk, Jr.; Albert L. Sessler, Jr.

[57] CLAIM

The ornamental design for an electronic cash register or similar article, as shown and described.

DESCRIPTION

FIG. 1 is a front elevational view of an electronic cash register or similar article showing my new design;  
FIG. 2 is a rear elevational view thereof;  
FIG. 3 is a right side elevational view thereof;  
FIG. 4 is a left side elevational view thereof;  
FIG. 5 is a top plan view thereof;  
FIG. 6 is a bottom plan view thereof;  
FIG. 7 is a right, front perspective view thereof.

[56] References Cited

U.S. PATENT DOCUMENTS

- D. 146,028 12/1946 Hooe et al. .... D14/112
- D. 175,356 8/1955 Koons ..... D18/7
- D. 192,938 5/1962 Barberis ..... D18/4
- D. 198,584 7/1964 Rindsfuesser ..... D18/4
- D. 204,413 4/1966 Crease et al. .... D18/4
- D. 210,489 3/1968 Abend et al. .... D18/4
- D. 226,632 4/1973 Jackson ..... D18/4

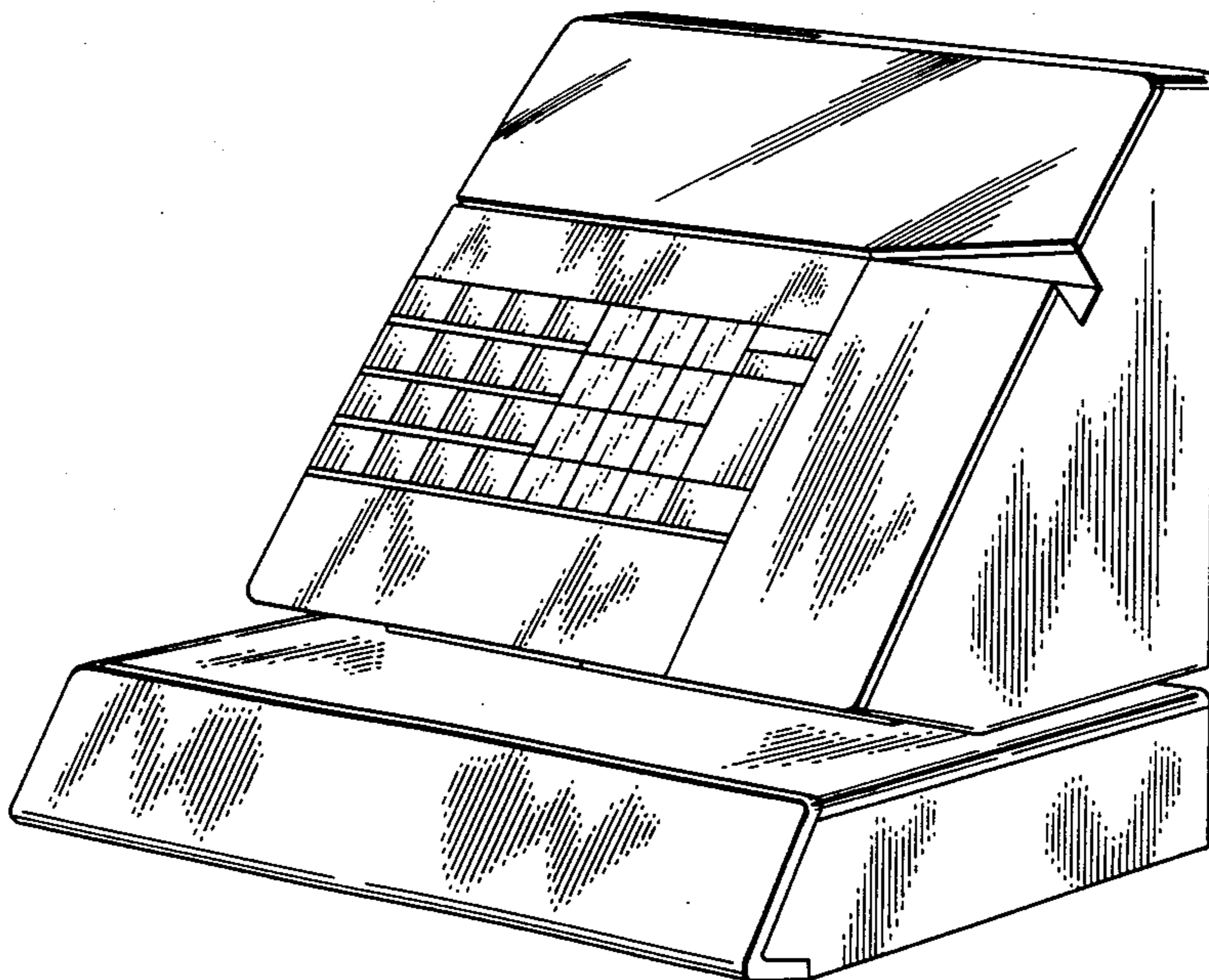


FIG. 1

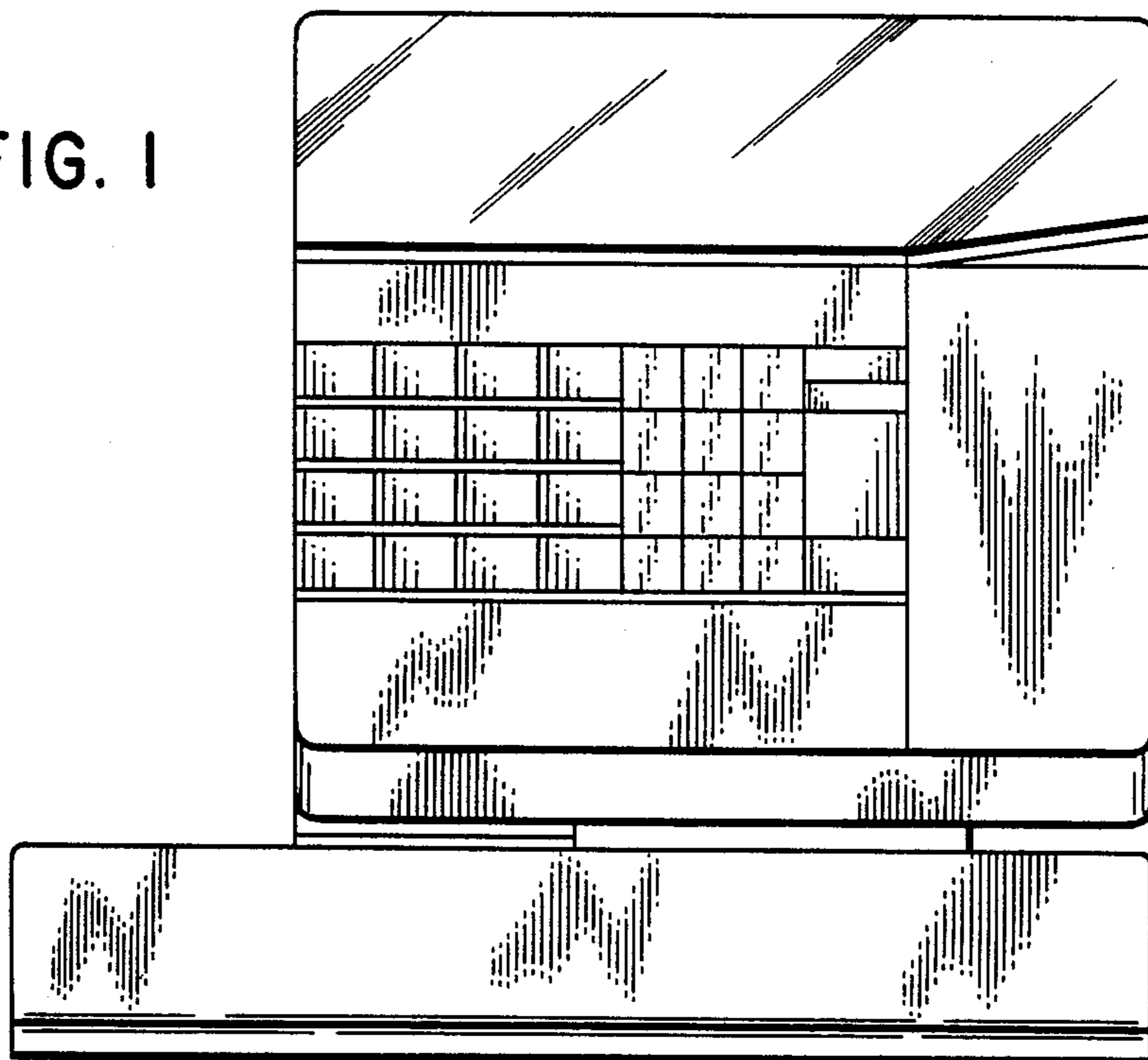


FIG. 2

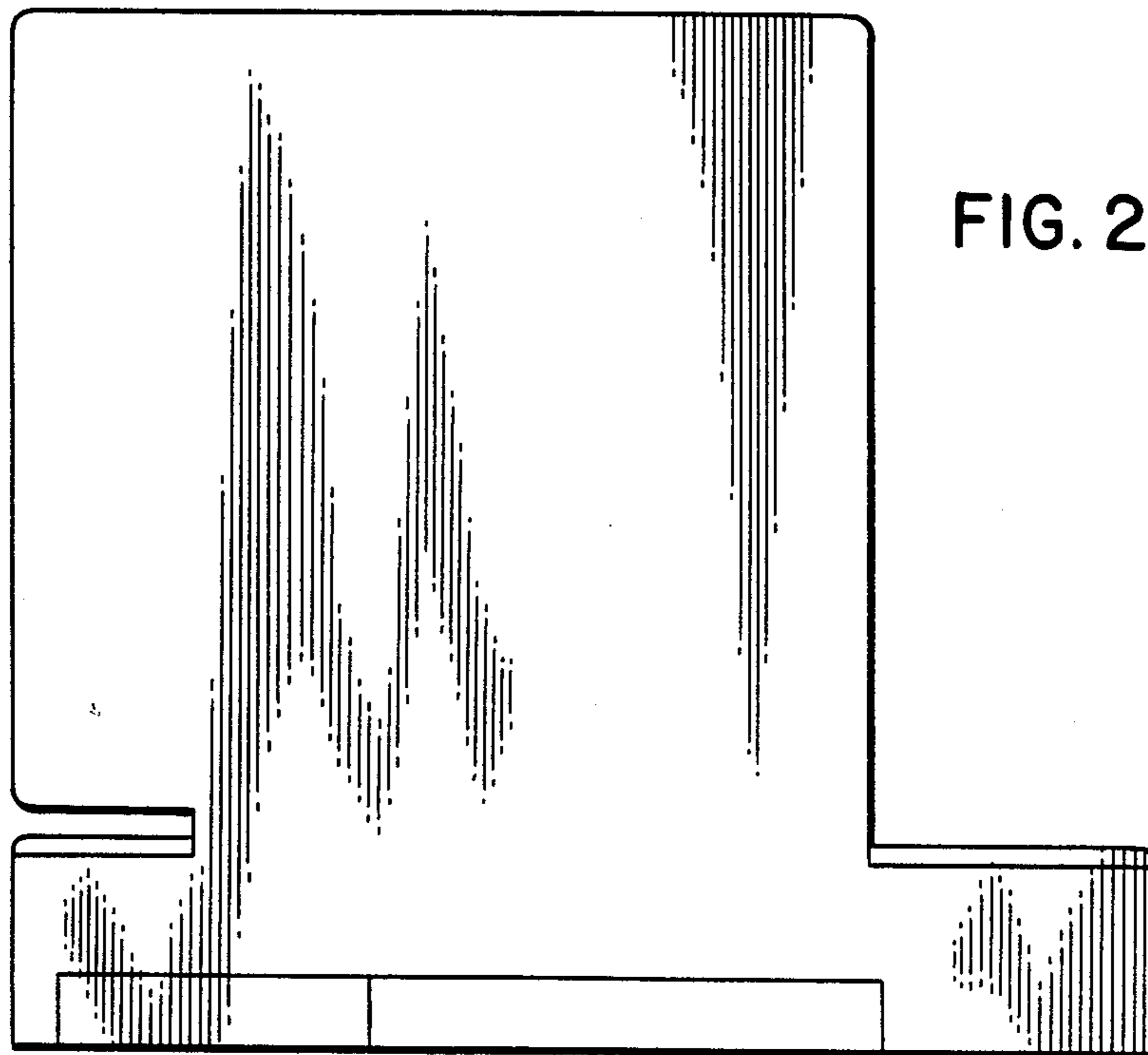


FIG. 3

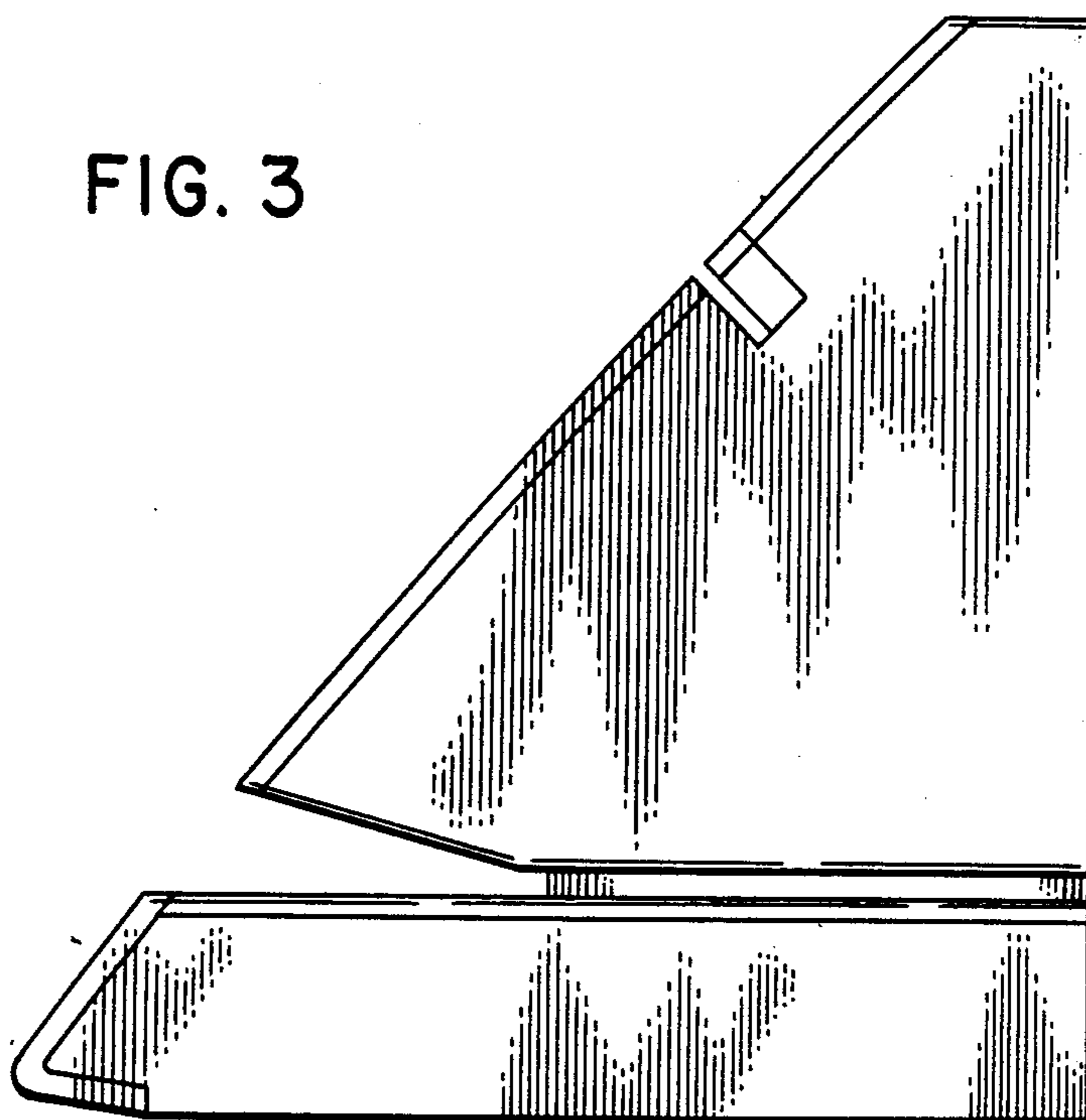


FIG. 4

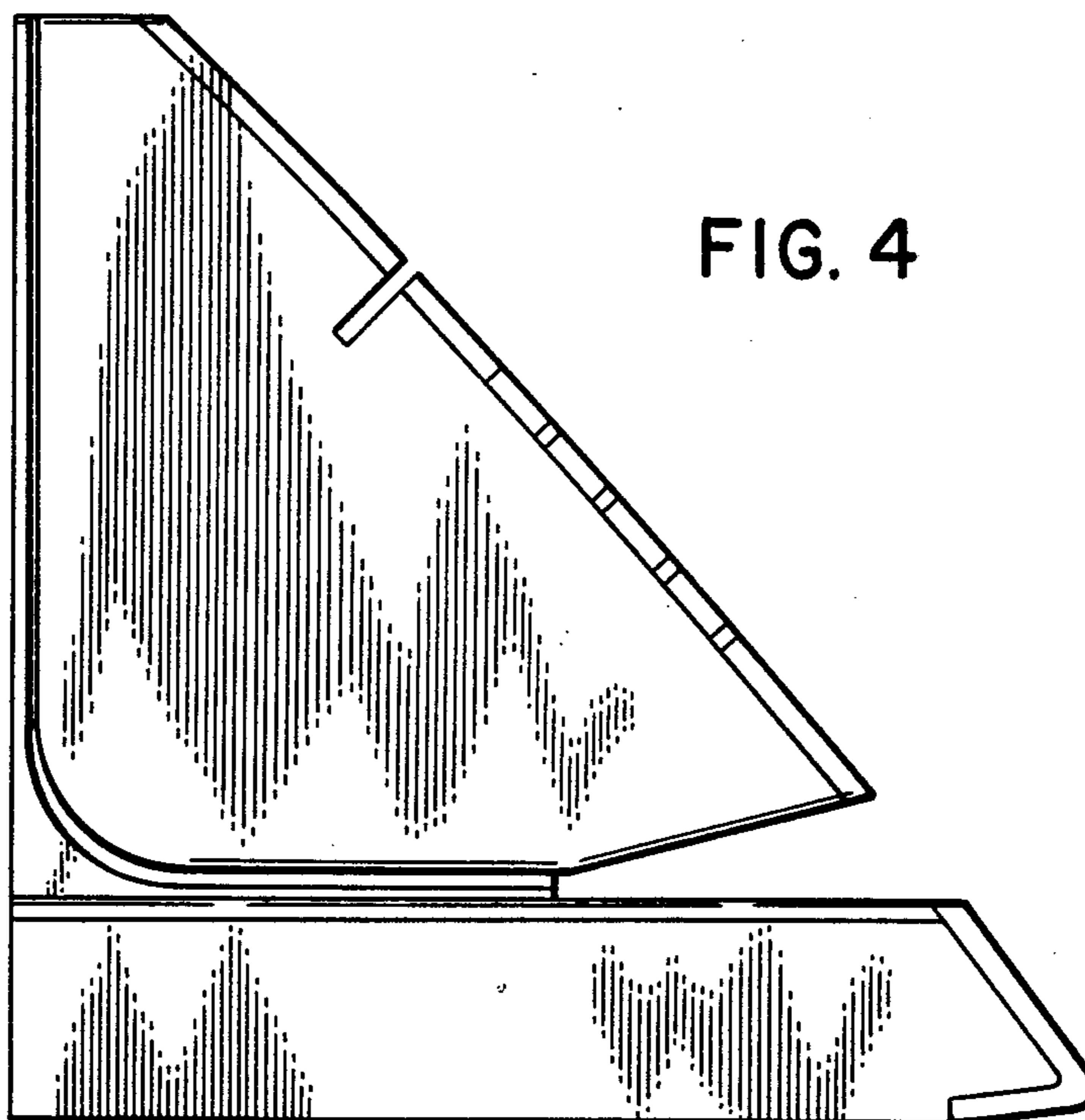


FIG. 5

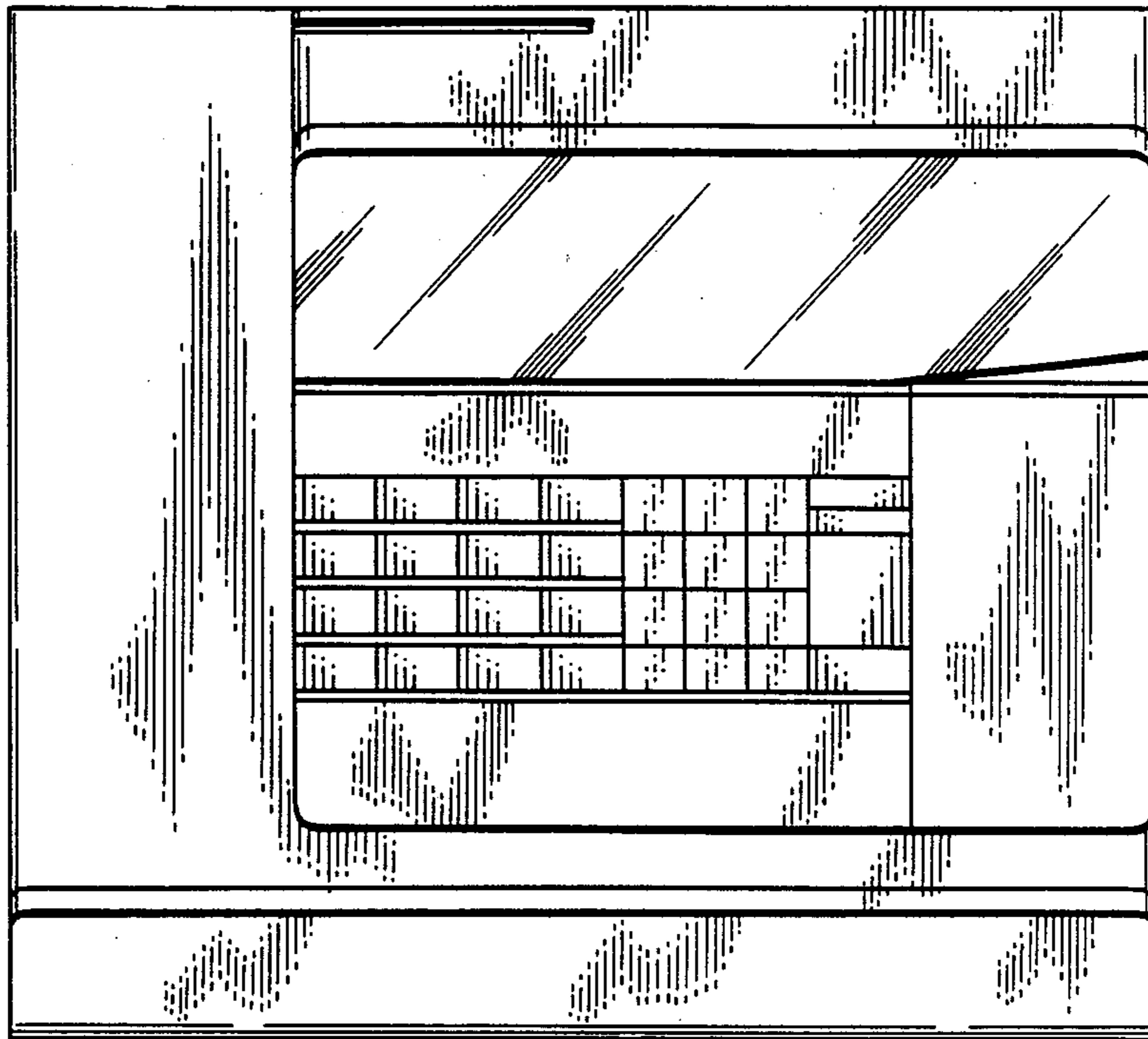
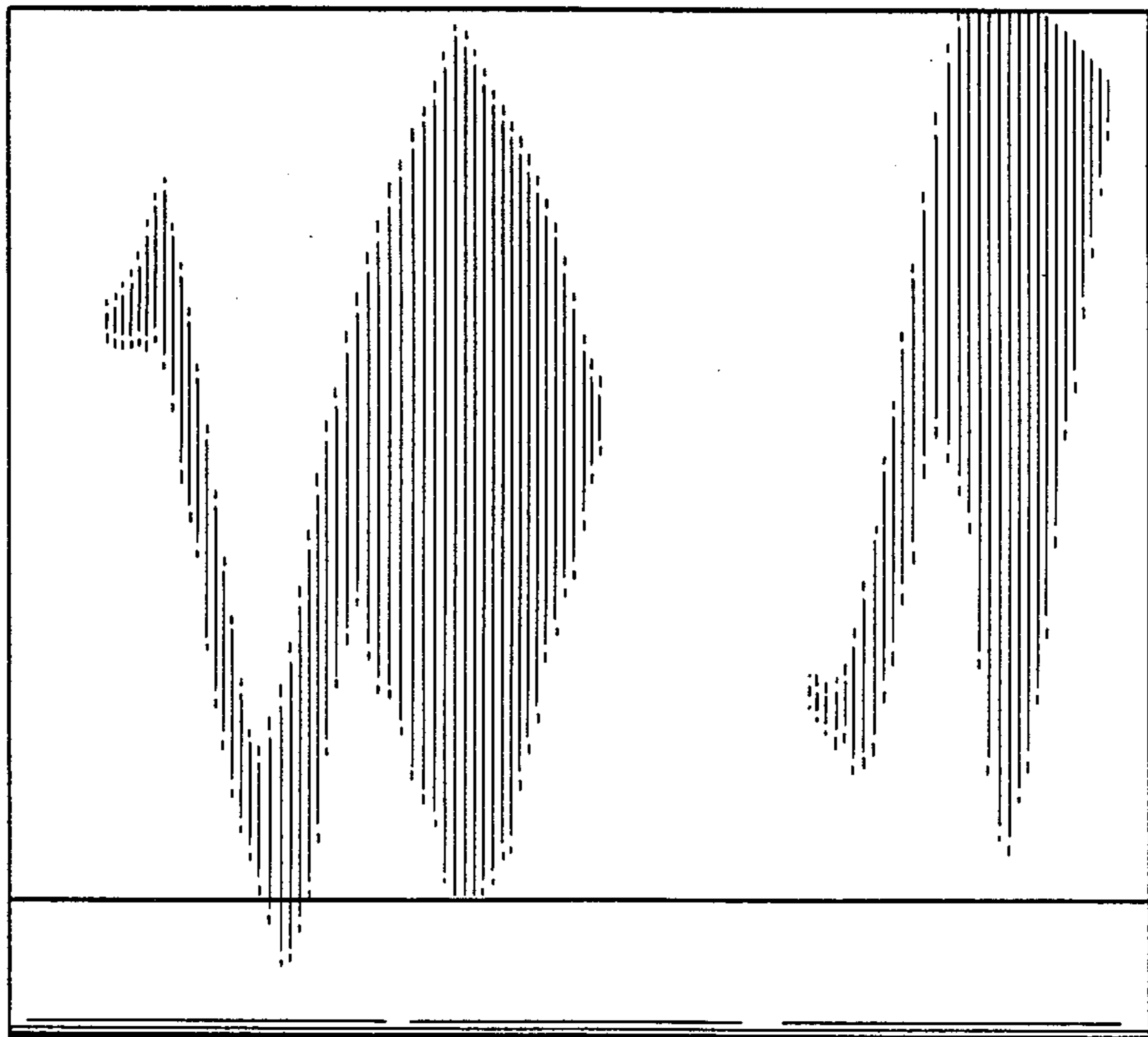


FIG. 6



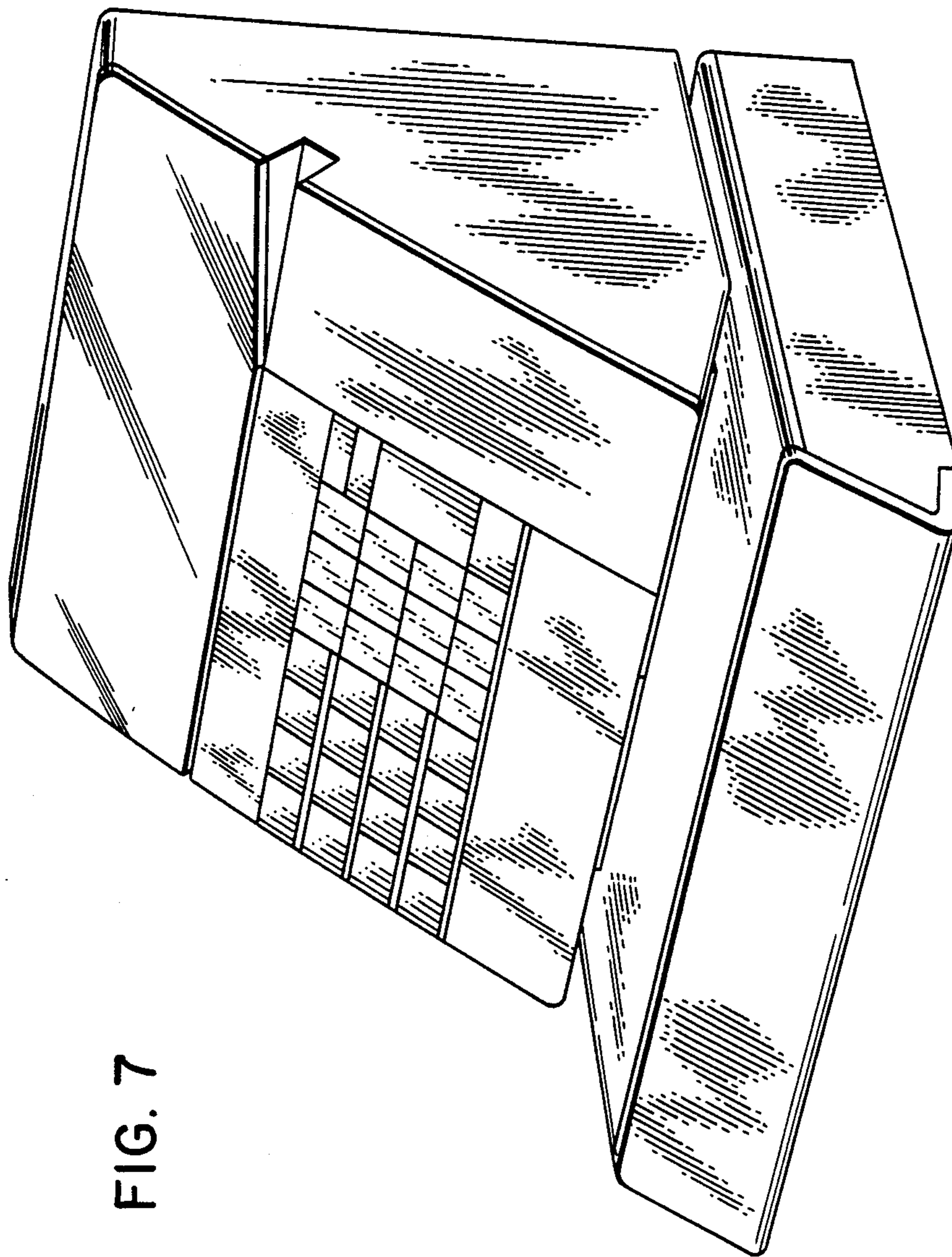


FIG. 7