

[54] DISTRIBUTOR FOR A CONCRETE SCREED

[76] Inventor: Donald R. Morrison, 9827 Mt. Holly Rd., Rte. 6, Box 634, Charlotte, N.C. 28208

[\*\*] Term: 14 Years

[21] Appl. No.: 221,193

[22] Filed: Jul. 19, 1988

[52] U.S. Cl. .... D15/28

[58] Field of Search ..... D15/10, 11, 27, 28; 404/102, 114, 118, 119, 124

[56] References Cited

U.S. PATENT DOCUMENTS

D. 198,175	5/1964	Ten Eyck .....	D15/27
1,623,142	4/1927	Walsh .	
3,252,390	5/1966	Martinson .....	404/102
3,463,063	4/1968	Caron et al. .	
3,832,079	8/1974	Moorhead .	
4,449,845	5/1984	Carrillo .....	404/118
4,466,757	8/1984	Allen .	

OTHER PUBLICATIONS

Copy of AWS Manufacturing Inc. product bulletin for Curl Edge Form (undated).

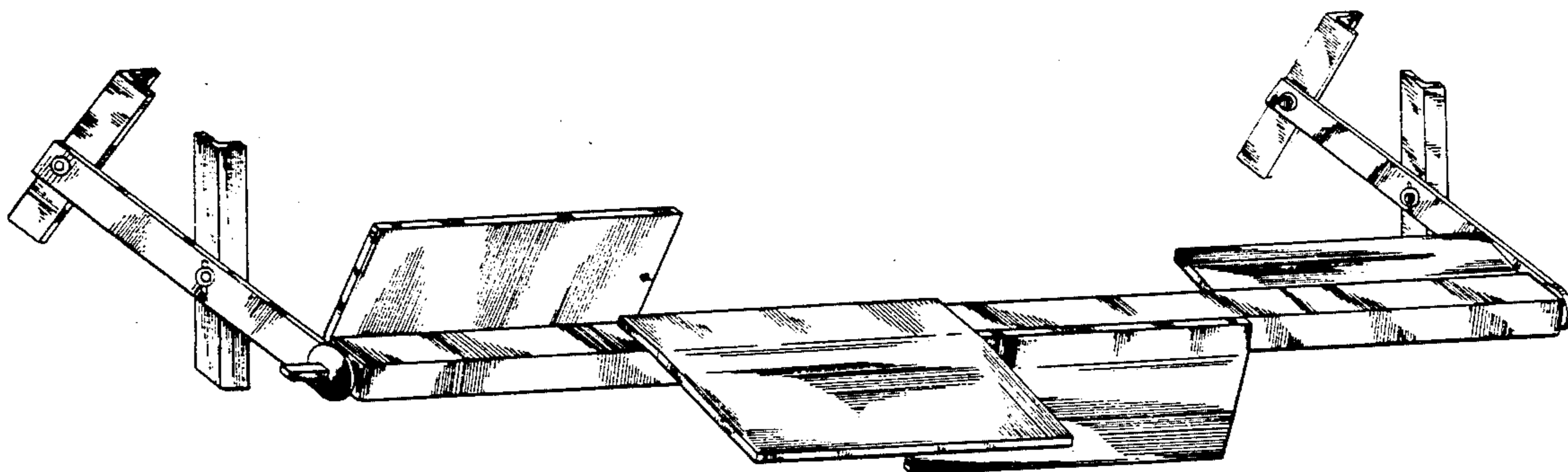
Primary Examiner—B. J. Bullock  
Assistant Examiner—Sandra Morris  
Attorney, Agent, or Firm—Olive & Olive

[57] CLAIM

The ornamental design for a distributor for a concrete screed, as shown and described.

DESCRIPTION

FIG. 1 is a perspective view of a distributor for a concrete screed, showing my new design; FIG. 2 is an enlarged left side elevational view thereof; FIG. 3 is a front elevational view thereof; FIG. 4 is a rear elevational view thereof; FIG. 5 is a top plan view thereof, shown broken away for illustrative purposes only; FIG. 6 is a bottom plan view thereof, shown broken away for illustrative purposes only; FIG. 7 is an enlarged right side elevational view thereof.



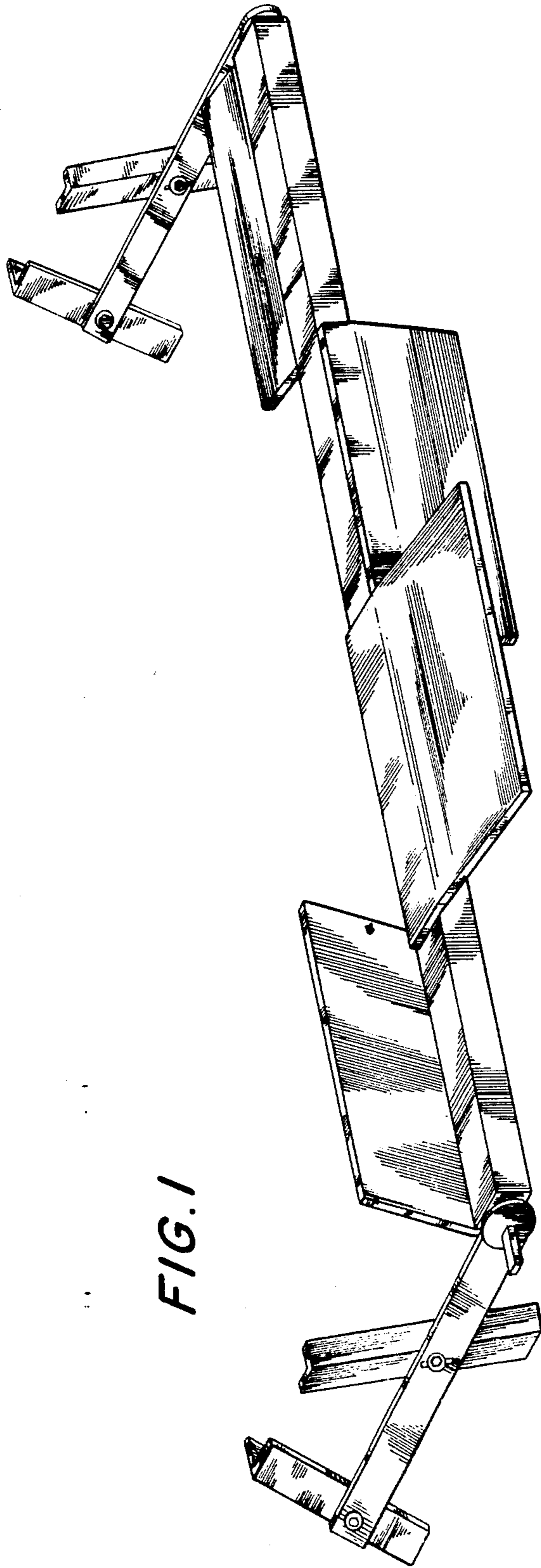


FIG. 1

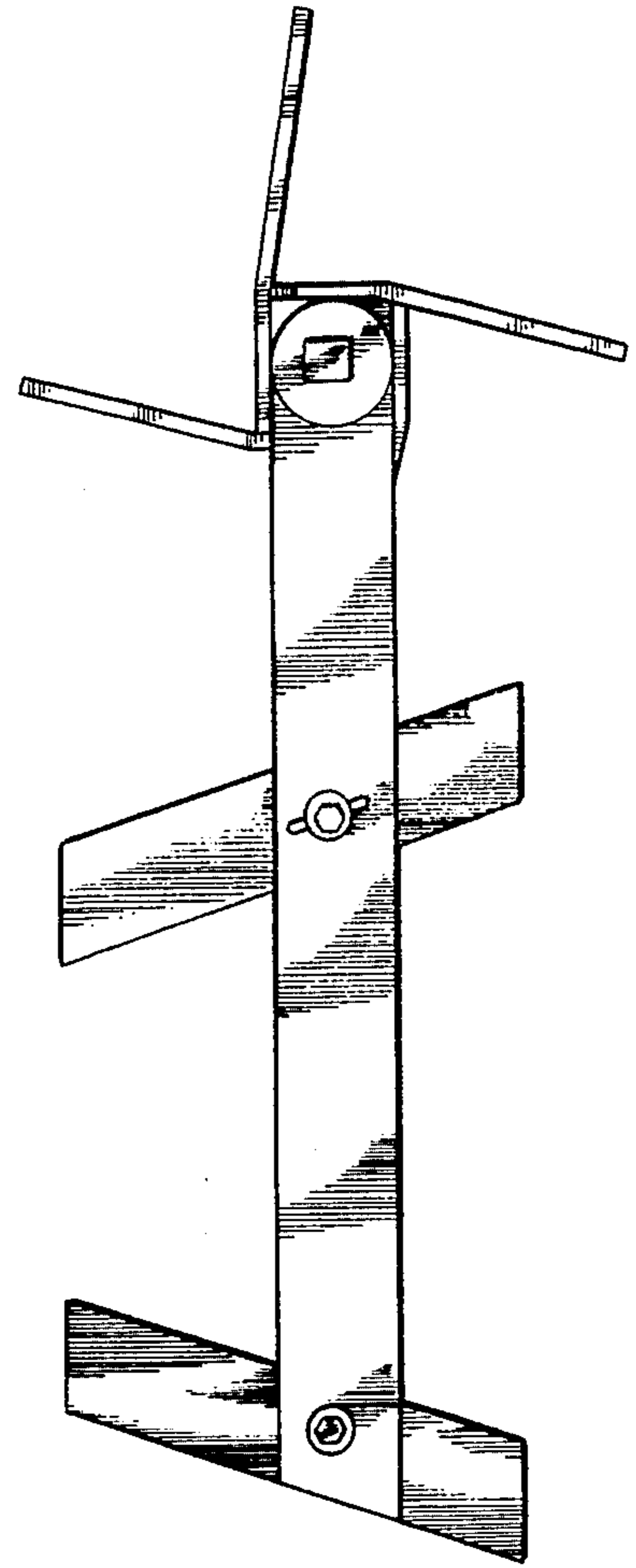


FIG. 2

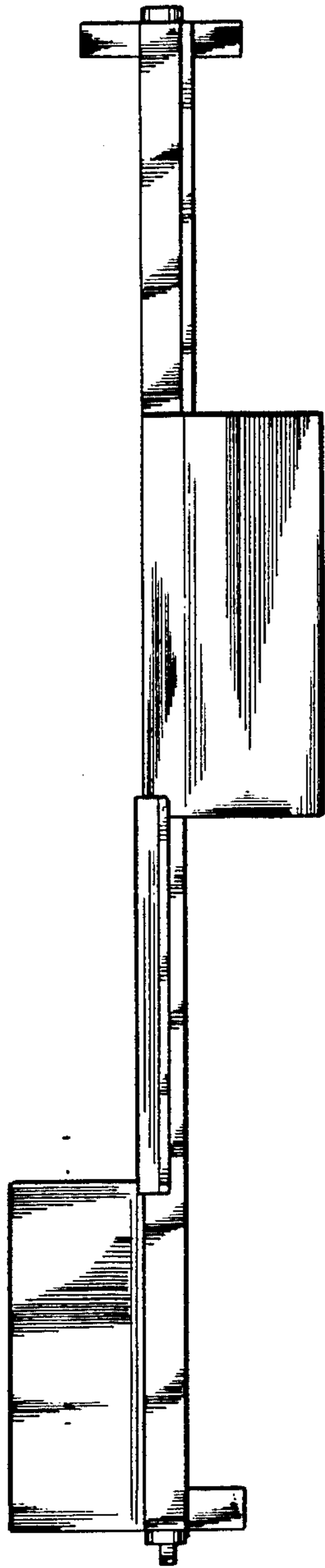


FIG. 3

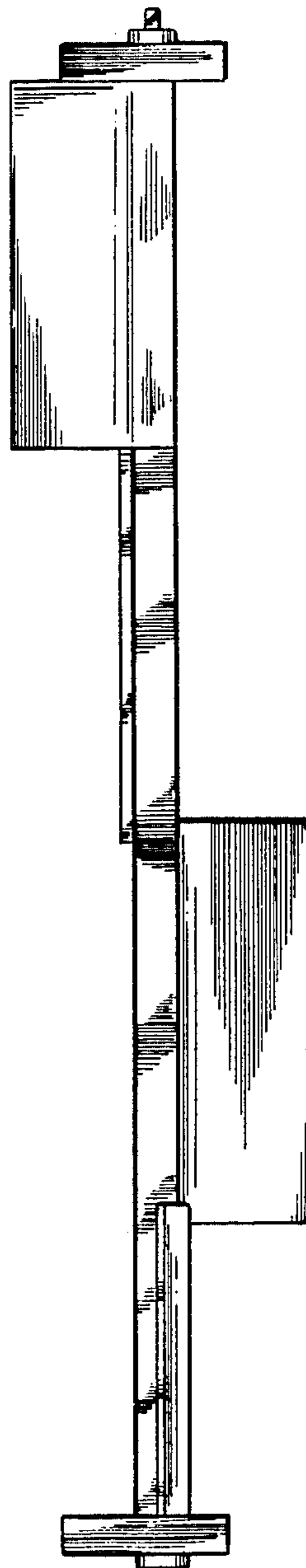


FIG. 4

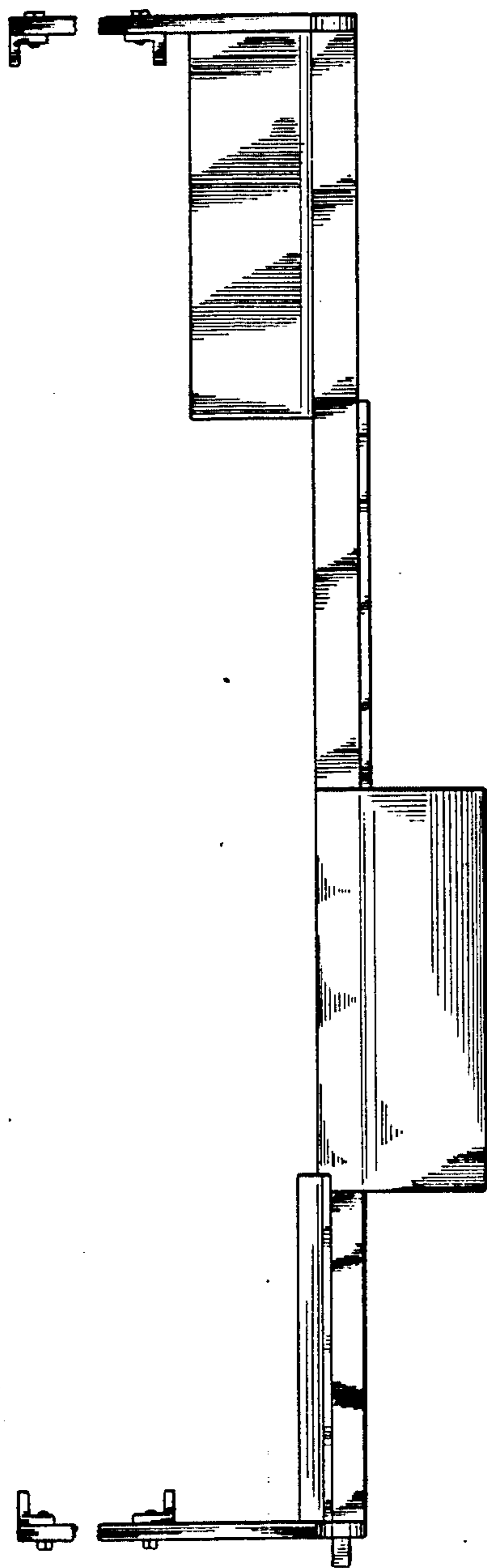


FIG. 5

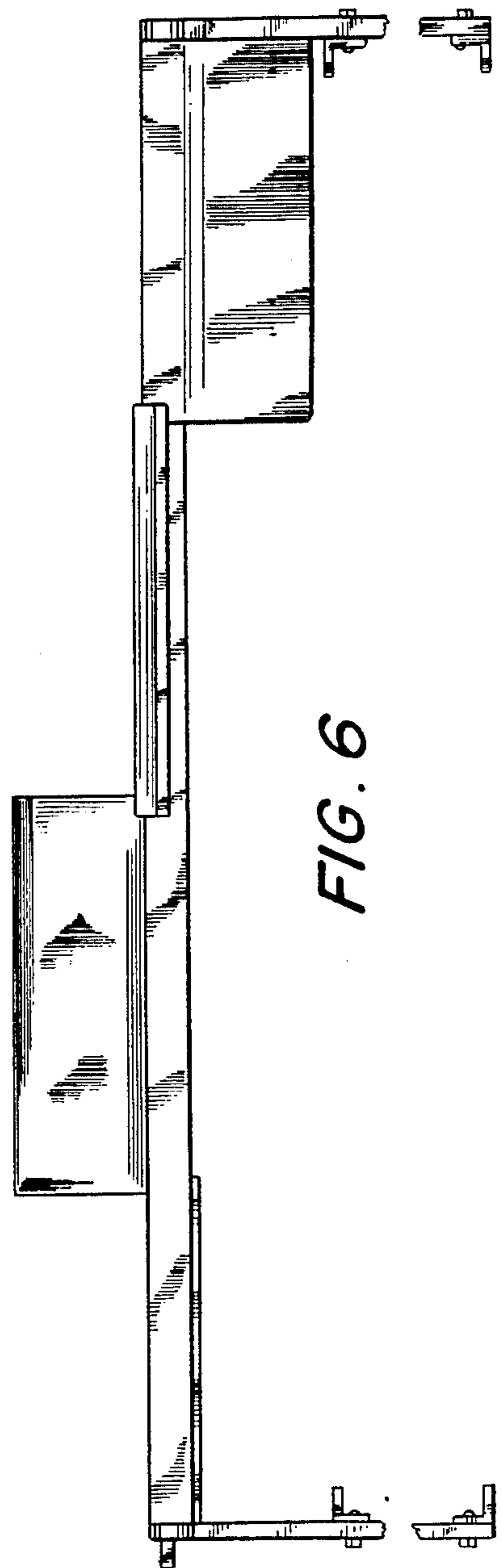


FIG. 6

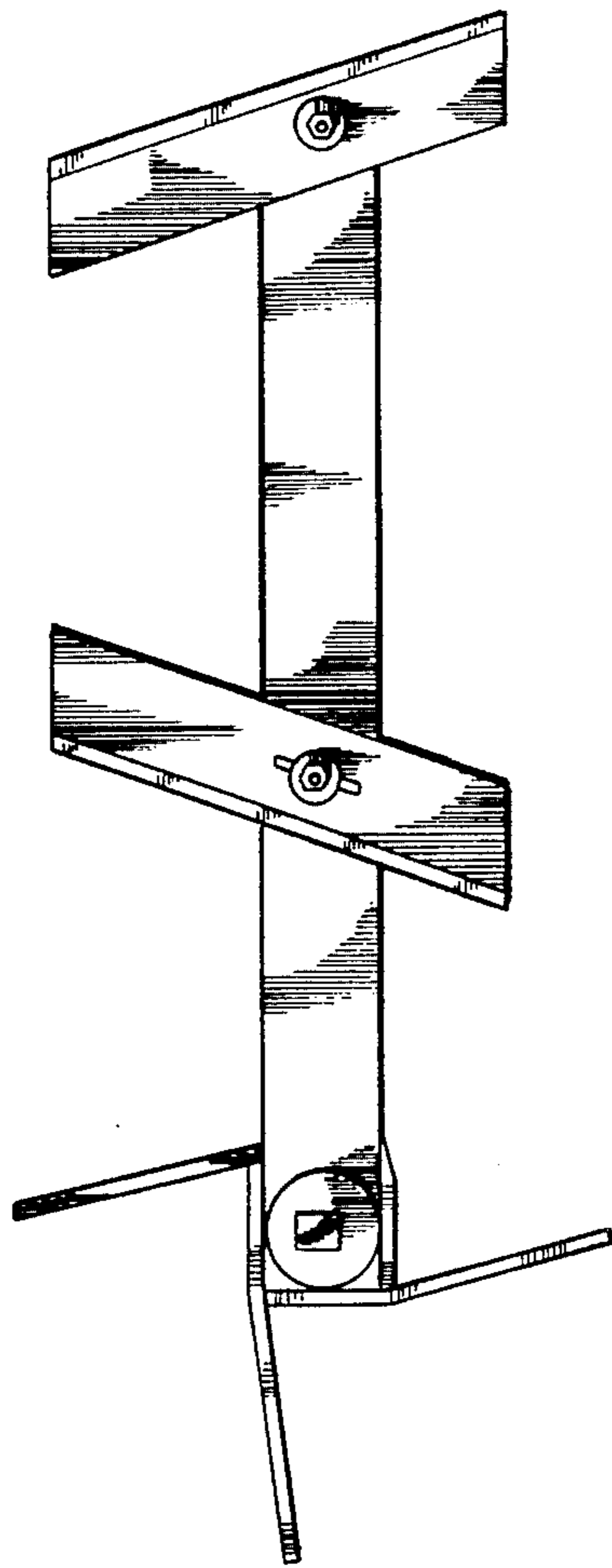


FIG. 7