

[54] **HOUSING FOR LAWN TRIMMERS OR THE LIKE**

[75] **Inventors: Dallas W. Jones, New Hartford; Lauren J. Young, Poland; Richard P. Nadeau, Frankfort, all of N.Y.**

[73] **Assignee: Trim-A-Lawn Corporation, Utica, N.Y.**

[**] **Term: 14 Years**

[21] **Appl. No.: 152,583**

[22] **Filed: Feb. 5, 1988**

[52] **U.S. Cl. D15/17**

[58] **Field of Search D15/14, 16, 17; 56/17.5, 255, 294, 320.1, 320.2**

[56] **References Cited**

U.S. PATENT DOCUMENTS

D. 177,553	5/1956	Cataline	D15/14
2,760,327	8/1956	Bovee	56/320.2
2,857,727	10/1958	Cole	56/255
3,391,524	7/1968	Nickoloff	56/320.2
3,496,707	2/1970	Kobey	56/17.5
3,563,014	2/1971	Krewson	56/17.5
3,574,272	4/1971	Krewson	56/320.2
3,805,499	4/1974	Woelffer	56/320.2
4,107,907	8/1978	Rutherford	56/320.2
4,232,505	11/1980	Walto	56/320.1

4,378,668	5/1983	Gullett	56/255
4,466,235	8/1984	Cole	56/125
4,711,077	12/1987	Kutsukake	56/255

OTHER PUBLICATIONS

Atlas Aire—Atlas Tool & Manufacturing Co. Catalog, p. 5, Mower, top right.

Primary Examiner—B. J. Bullock
Assistant Examiner—Sandra Morris
Attorney, Agent, or Firm—Shlesinger & Myers

[57] **CLAIM**

The ornamental design for a housing for lawn trimmers or the like, as shown and described.

DESCRIPTION

FIG. 1 is a perspective view of a housing for lawn trimmers or the like, showing our new design, the motor and wheels shown in broken lines are for illustrative purposes only and form no part of the claimed design;

FIG. 2 is a right side elevational view thereof;

FIG. 3 is a left side elevational view thereof;

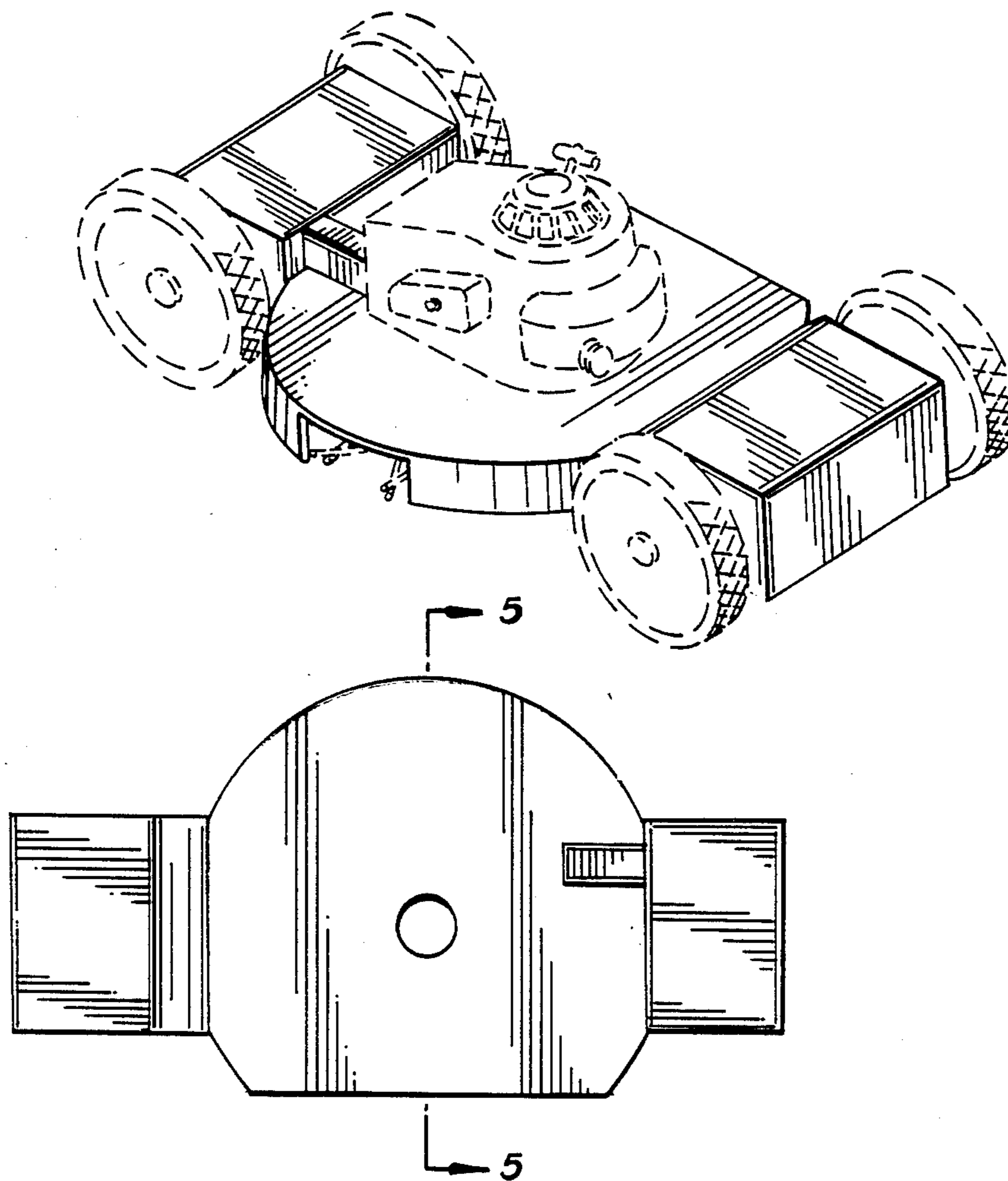
FIG. 4 is a top plan view thereof;

FIG. 5 is a cross-sectional view taken along lines 5—5 in FIG. 4;

FIG. 6 is a rear elevational view thereof;

FIG. 7 is a front elevational view thereof;

FIG. 8 is a bottom plan view thereof.



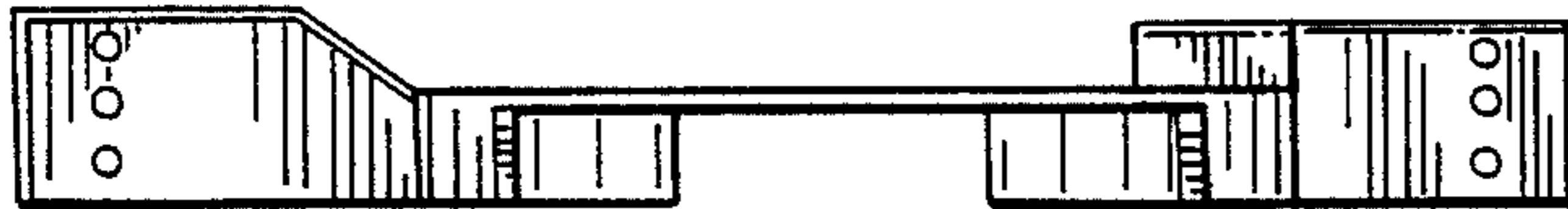
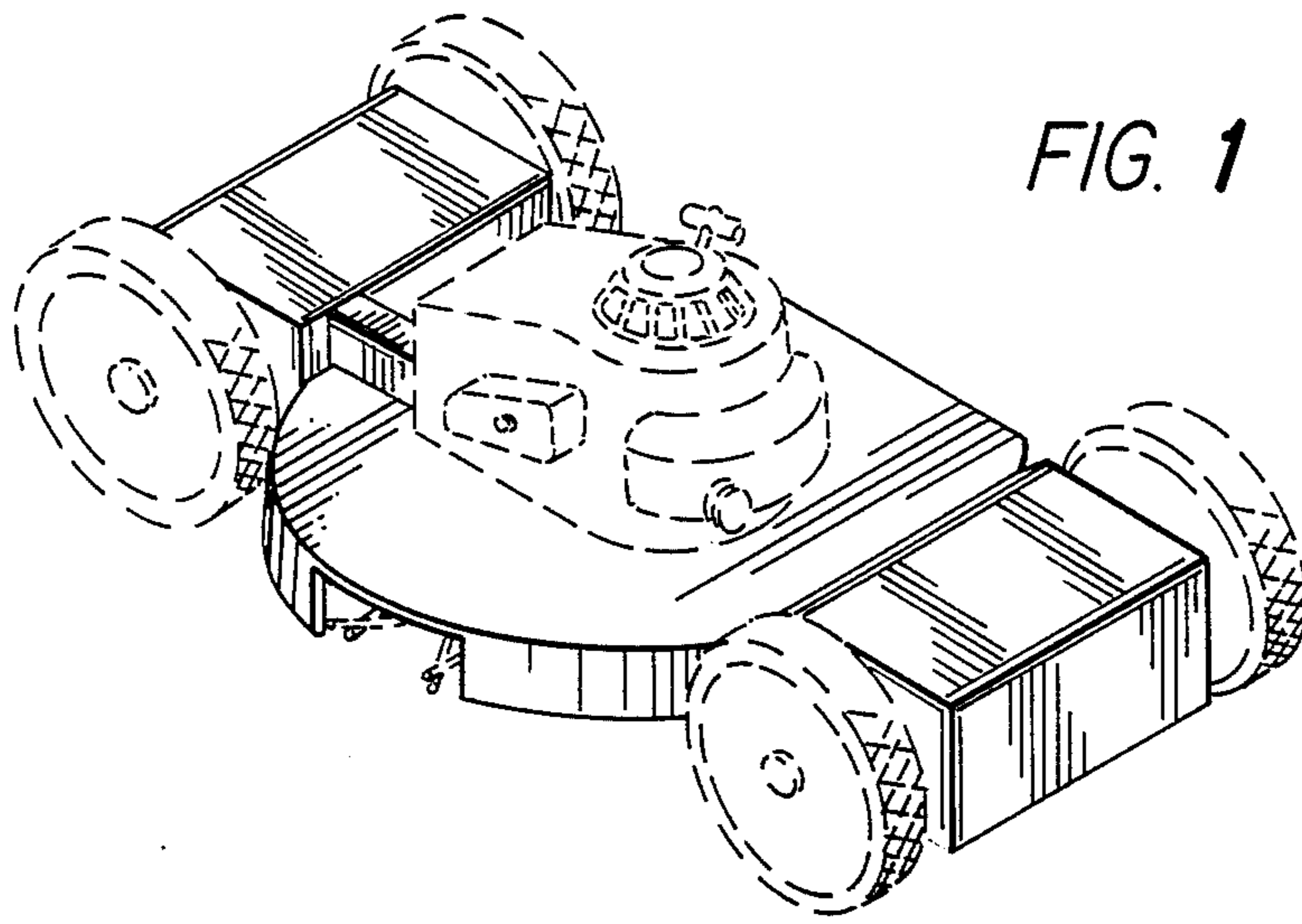


FIG. 2



FIG. 3

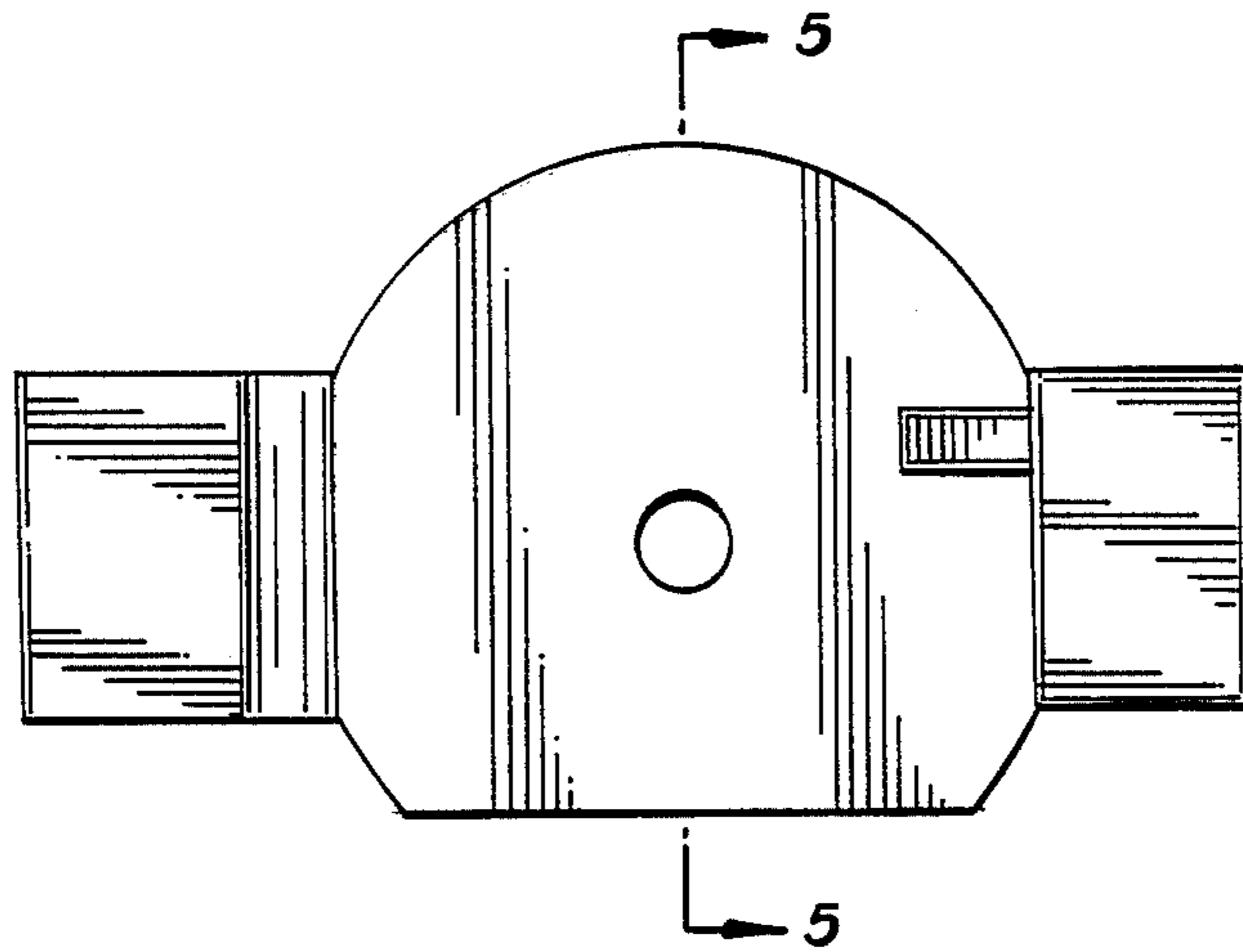


FIG. 4



FIG. 5

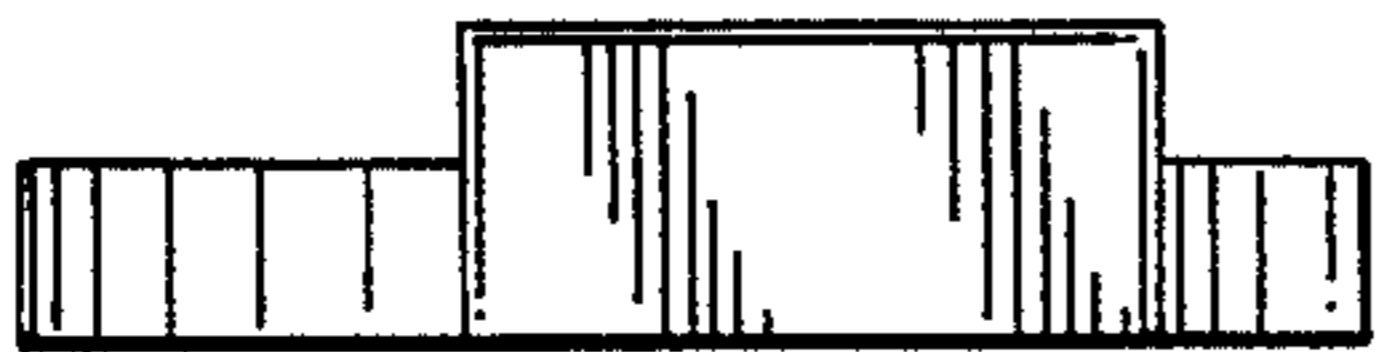


FIG. 6

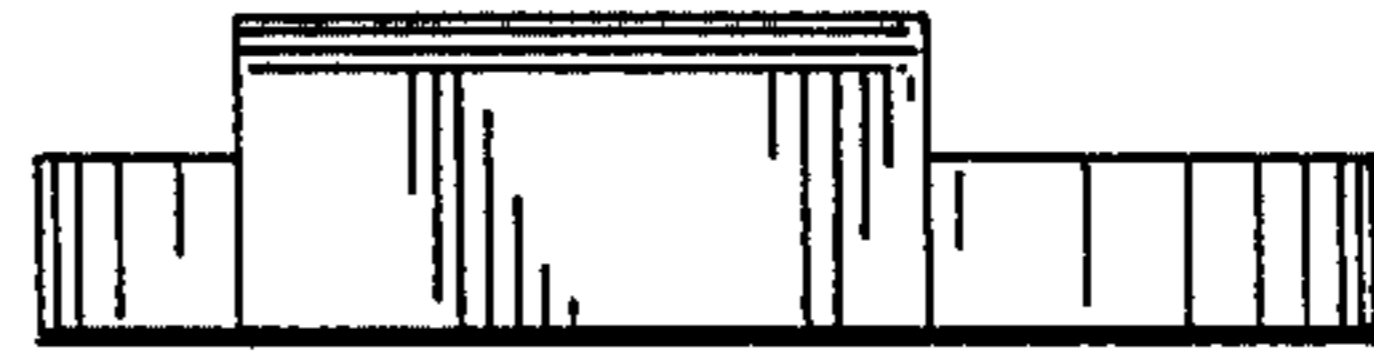


FIG. 7

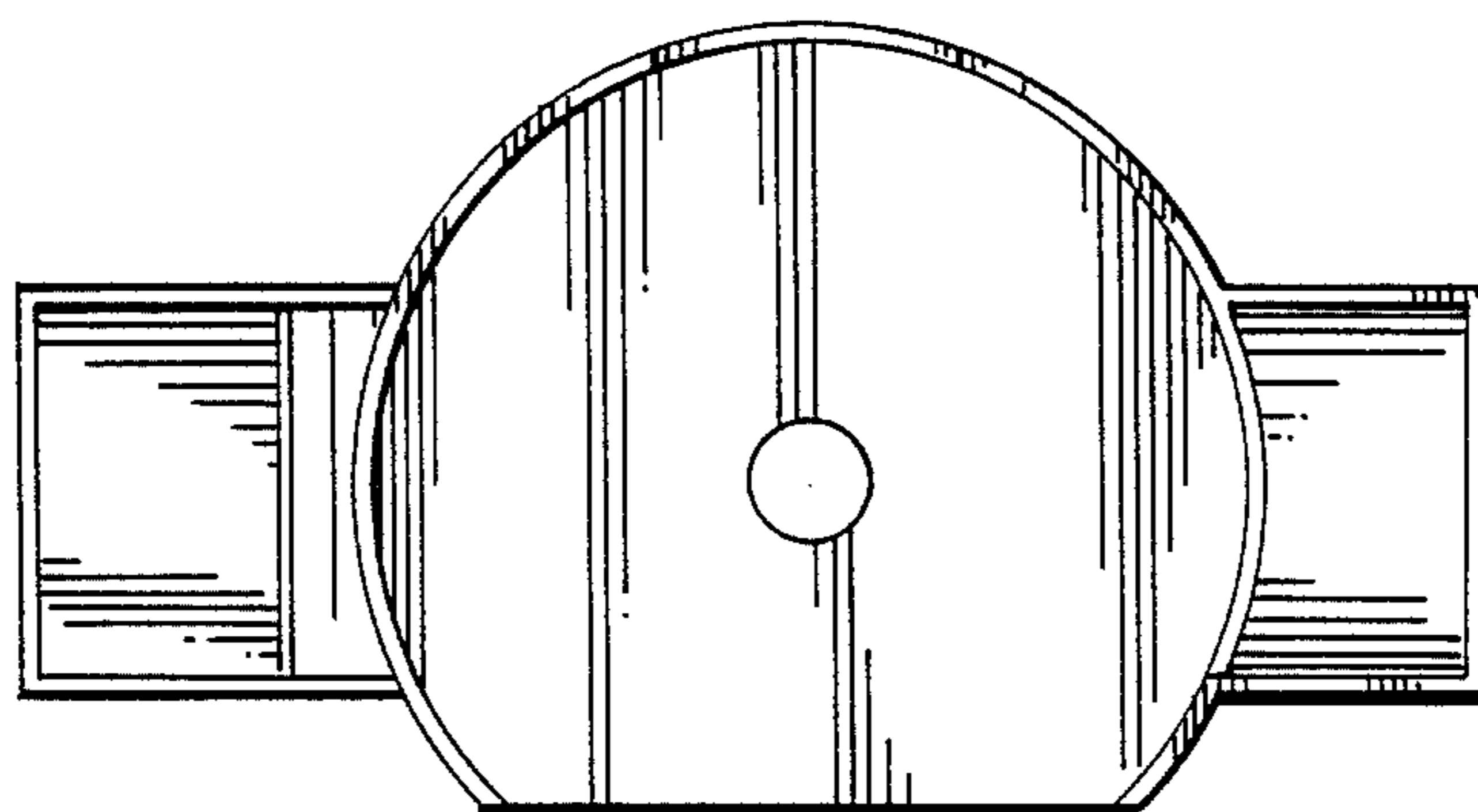


FIG. 8