

[54] DISPLAY MONITOR

[75] Inventor: David L. Schaum, Woodstock, N.Y.

[73] Assignee: International Business Machines Corporation, Armonk, N.Y.

[**] Term: 14 Years

[21] Appl. No.: 922,446

[22] Filed: Oct. 21, 1986

[52] U.S. Cl. D14/113

[58] Field of Search D14/100, 102, 105, 106, D14/107, 109, 113, 114; D13/40, 41; 312/208; 340/700, 720, 815.06, 815.14; 364/130, 144, 708

[56] References Cited

U.S. PATENT DOCUMENTS

D. 274,726	7/1984	Caven	D14/113
D. 279,007	5/1985	Empson et al.	D14/113
D. 284,967	8/1986	Wiseman	D14/113
D. 290,363	6/1987	Conway et al.	D14/113
D. 291,575	8/1987	Wiseman	D14/113
D. 291,805	9/1987	Sharp	D14/113
4,640,485	2/1987	Day et al.	248/1 X

OTHER PUBLICATIONS

Byte-9—1983, p. 401—Fujitsu Display Monitor on right.

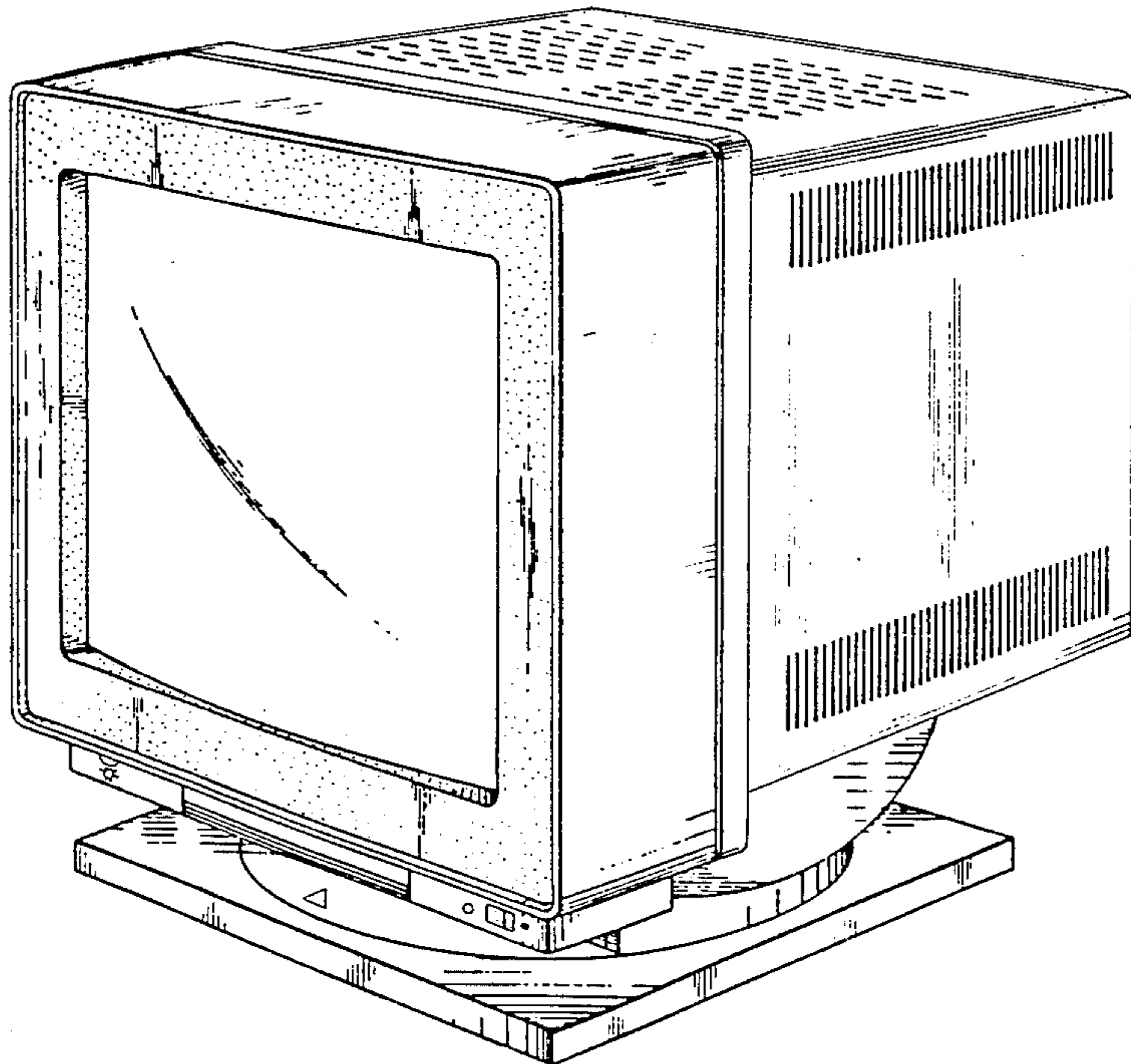
Primary Examiner—Susan J. Lucas
Assistant Examiner—Freda S. Nunn
Attorney, Agent, or Firm—George E. Clark

[57] CLAIM

The ornamental design for display monitor, as shown and described.

DESCRIPTION

FIG. 1 is a front, right side perspective view of a display monitor showing my new design;
FIG. 2 is a front, left side perspective view thereof;
FIG. 3 is a front perspective view thereof;
FIG. 4 is a rear perspective view thereof;
FIG. 5 is a left side perspective view thereof;
FIG. 6 is a right side perspective view thereof;
FIG. 7 is a top, rear, left side perspective view thereof;
FIG. 8 is a top plan view thereof;
FIG. 9 is a bottom plan view thereof.



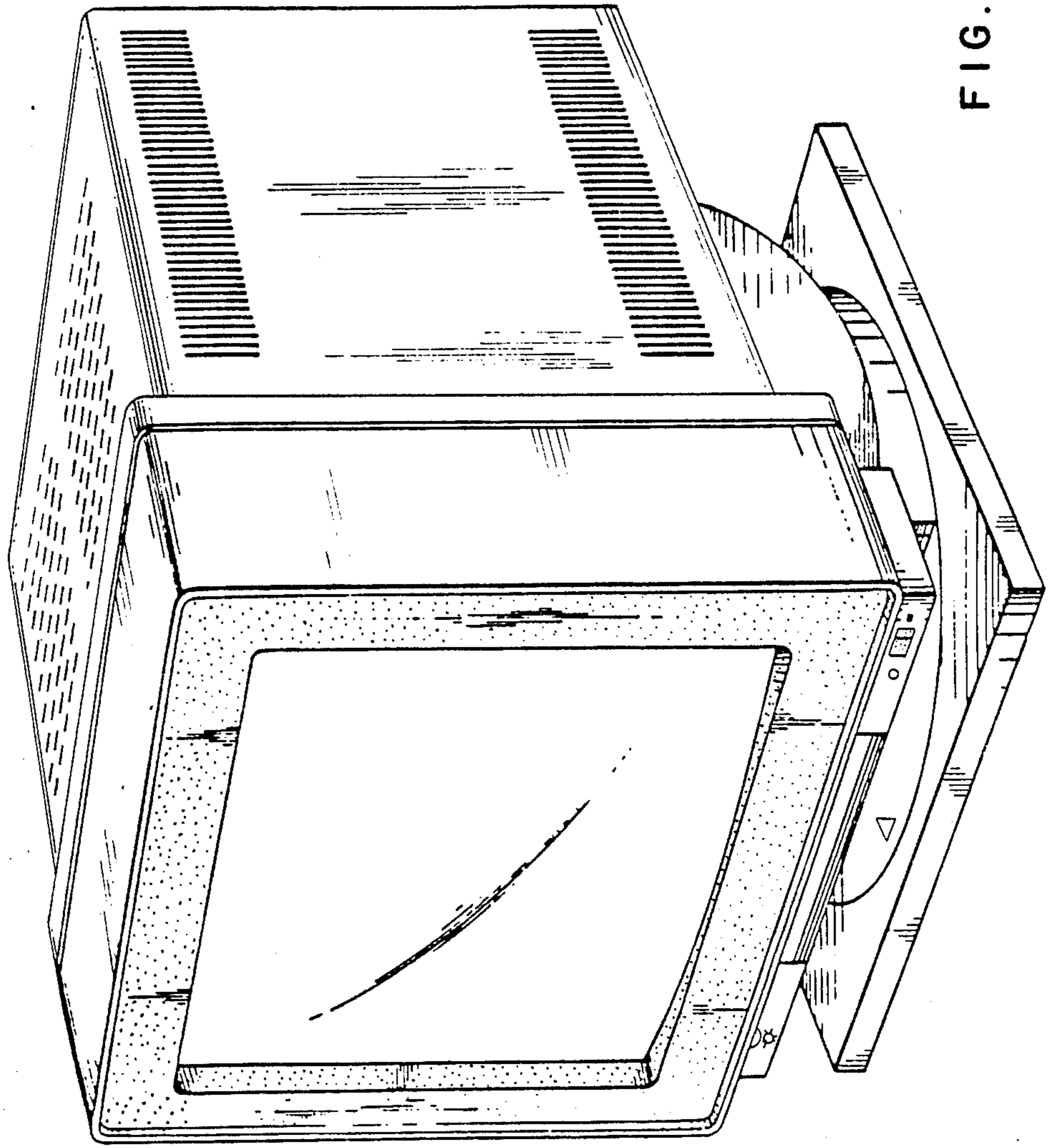


FIG. 1

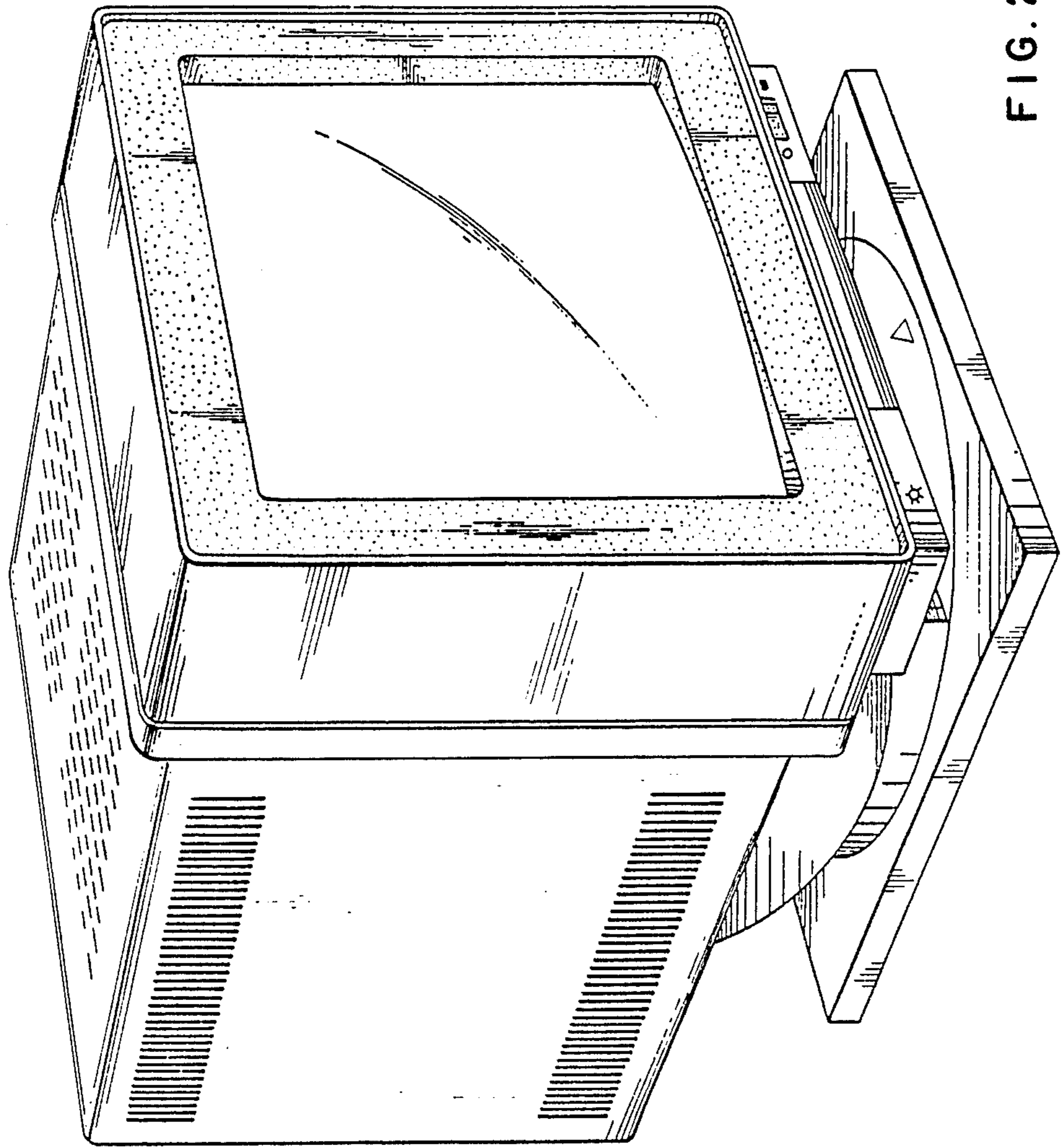


FIG. 2

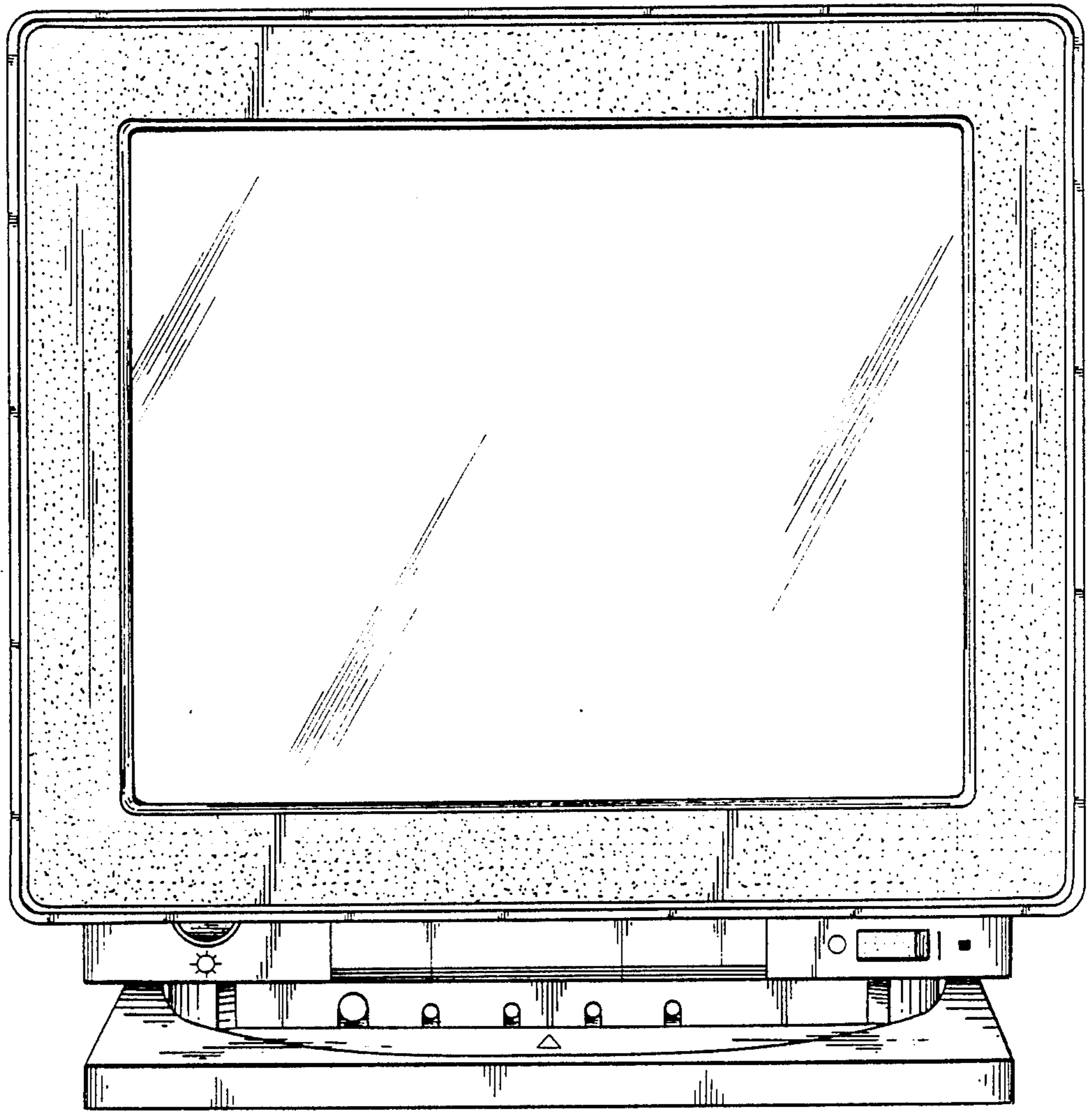


FIG. 3

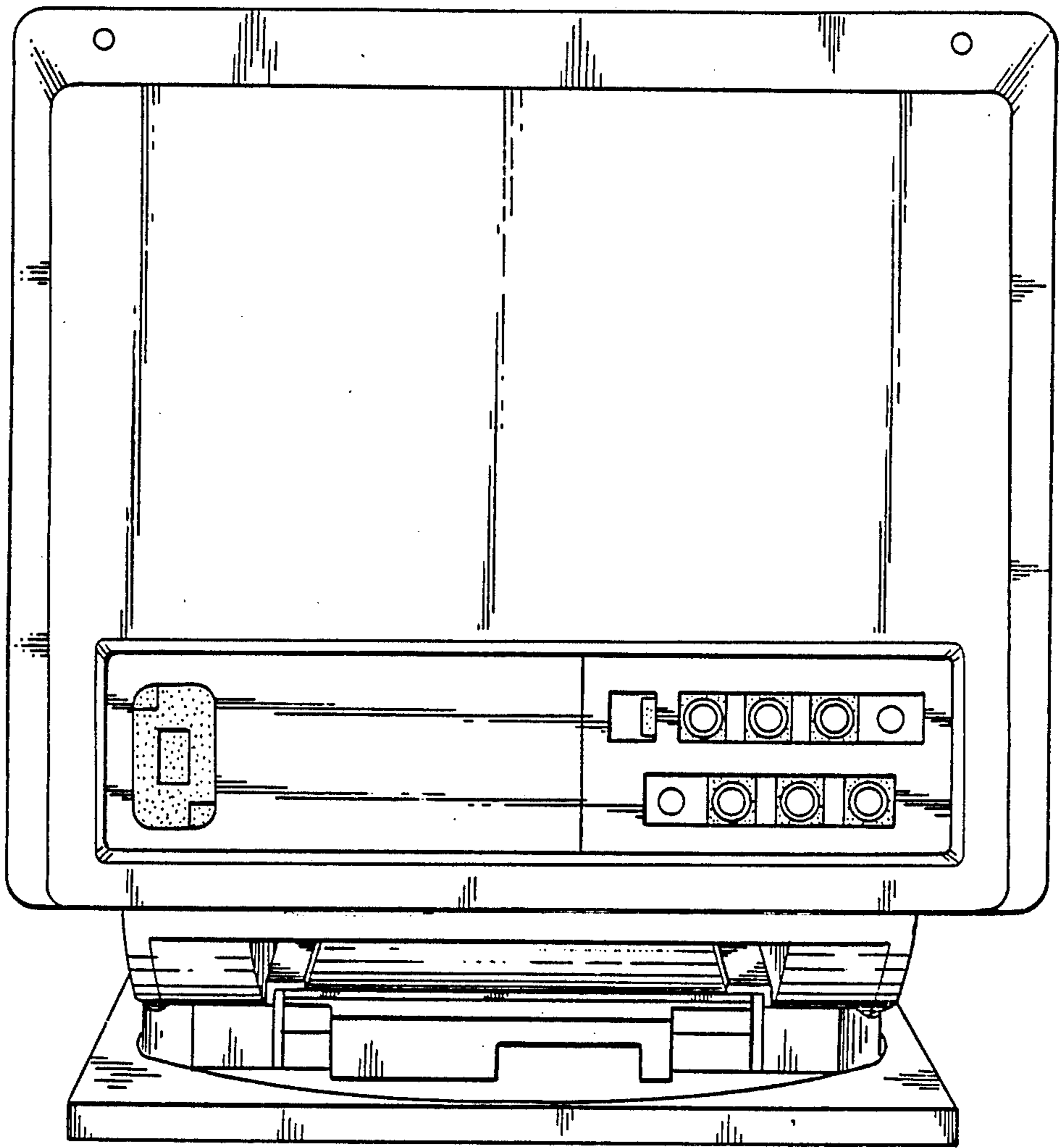


FIG. 4

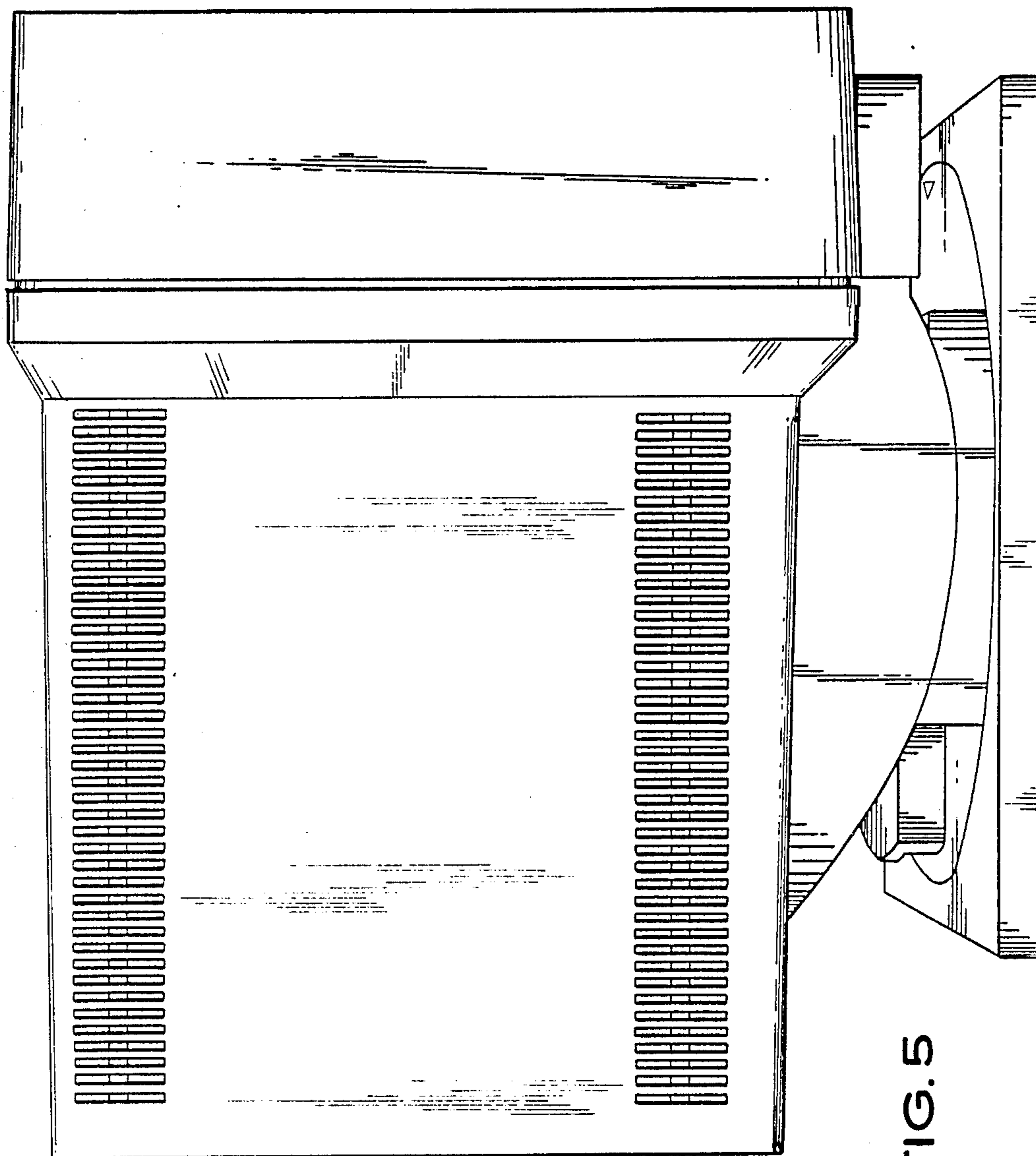


FIG. 5

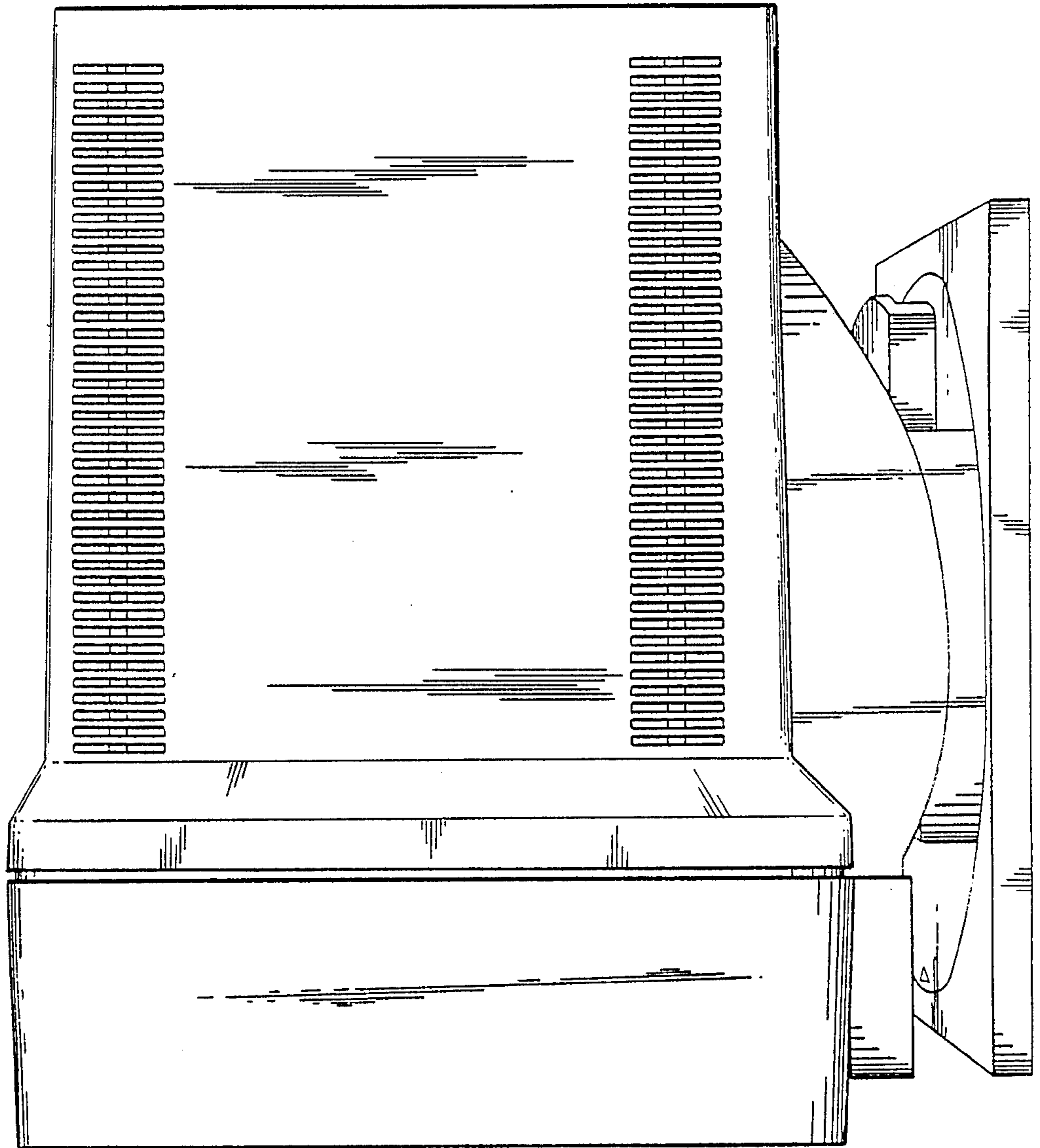


FIG. 6

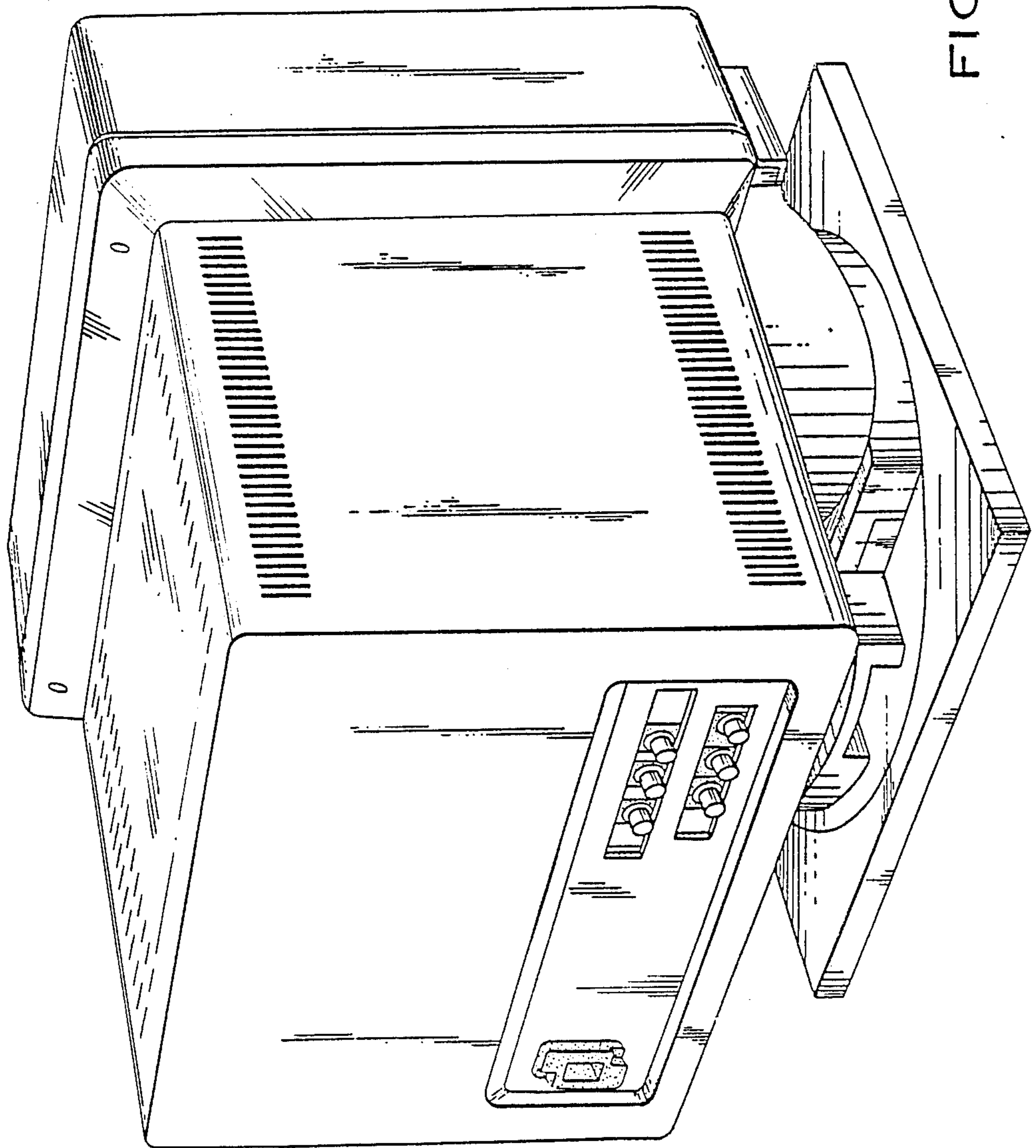


FIG. 7

FIG. 8

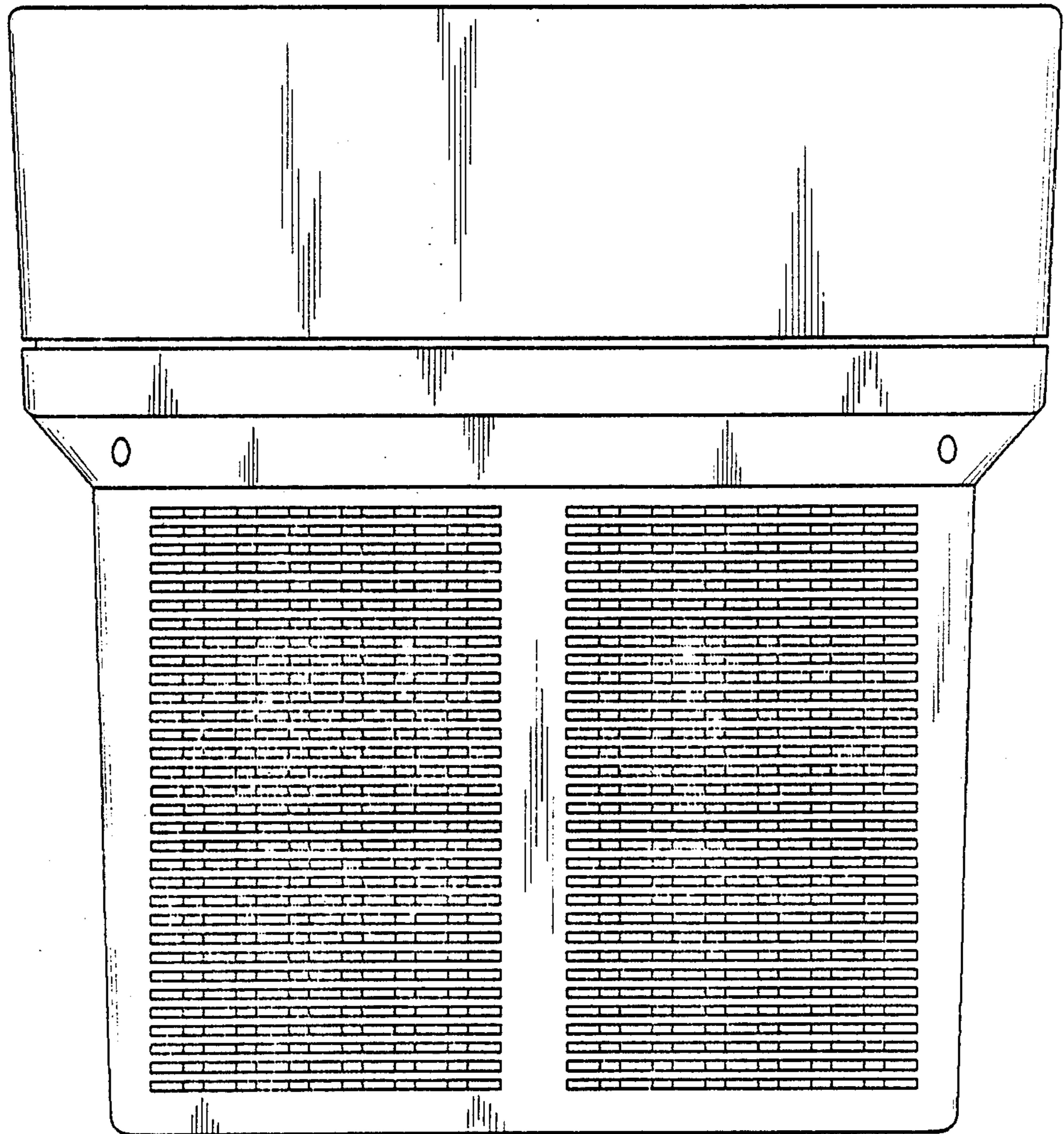


FIG. 9

