

[54] COVER FOR AN ELECTRICAL WIRE CONNECTOR HOUSING

4,145,103 3/1979 Knowles 439/400
4,421,376 12/1983 Cosmos et al. 439/350 X
4,713,025 12/1987 Soma 439/449 X
4,759,723 7/1988 Siemon 439/467 X

[75] Inventors: Takayoshi Endo; Masayuki Yamamoto, all of Gotenba, Japan

Primary Examiner—Susan J. Lucas
Attorney, Agent, or Firm—Shlesinger & Myers

[73] Assignee: Yazaki Corporation, Tokyo, Japan

[**] Term: 14 Years

[57] CLAIM

[21] Appl. No.: 79,603

The ornamental design for a cover for an electrical wire connector housing, as shown and described.

[22] Filed: Jul. 30, 1987

DESCRIPTION

[30] Foreign Application Priority Data

Jan. 30, 1987 [JP] Japan 62-003092

[52] U.S. Cl. D13/156

[58] Field of Search D13/24, 13;
439/395-400, 350, 399, 449, 467

FIG. 1 is a top plan view of a cover for an electrical wire connector housing showing our new design, the bottom being a mirror image;

FIG. 2 is a front elevational view thereof;

FIG. 3 is a right side elevational view thereof, the left side being a mirror image;

FIG. 4 is a rear elevational view thereof;

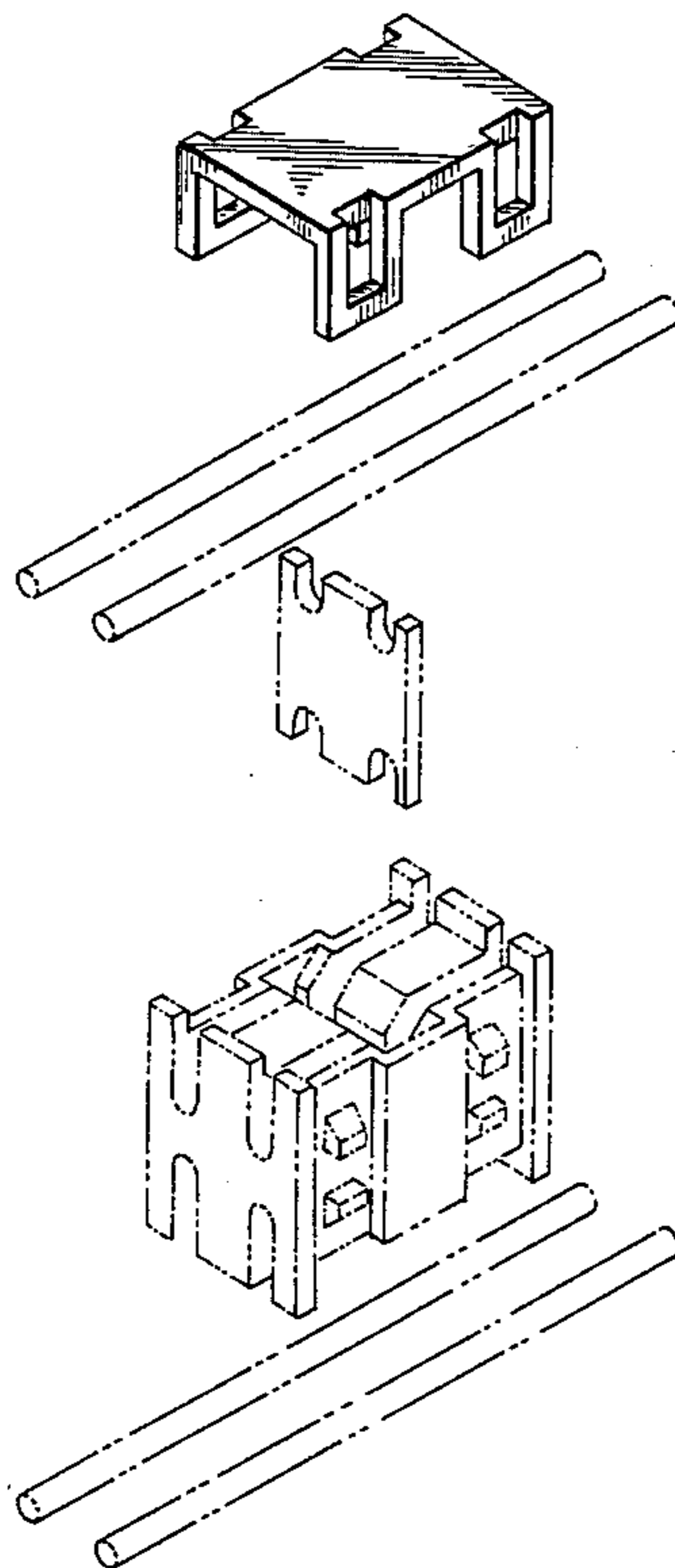
FIG. 5 is a top, rear, side perspective view thereof, the wires and connector housing being shown in broken lines for illustrative purposes only; and

FIG. 6 is a bottom, front, side perspective view thereof.

[56] References Cited

U.S. PATENT DOCUMENTS

D. 259,635 6/1981 Plummer D13/24
D. 292,087 9/1987 Bryant D13/24



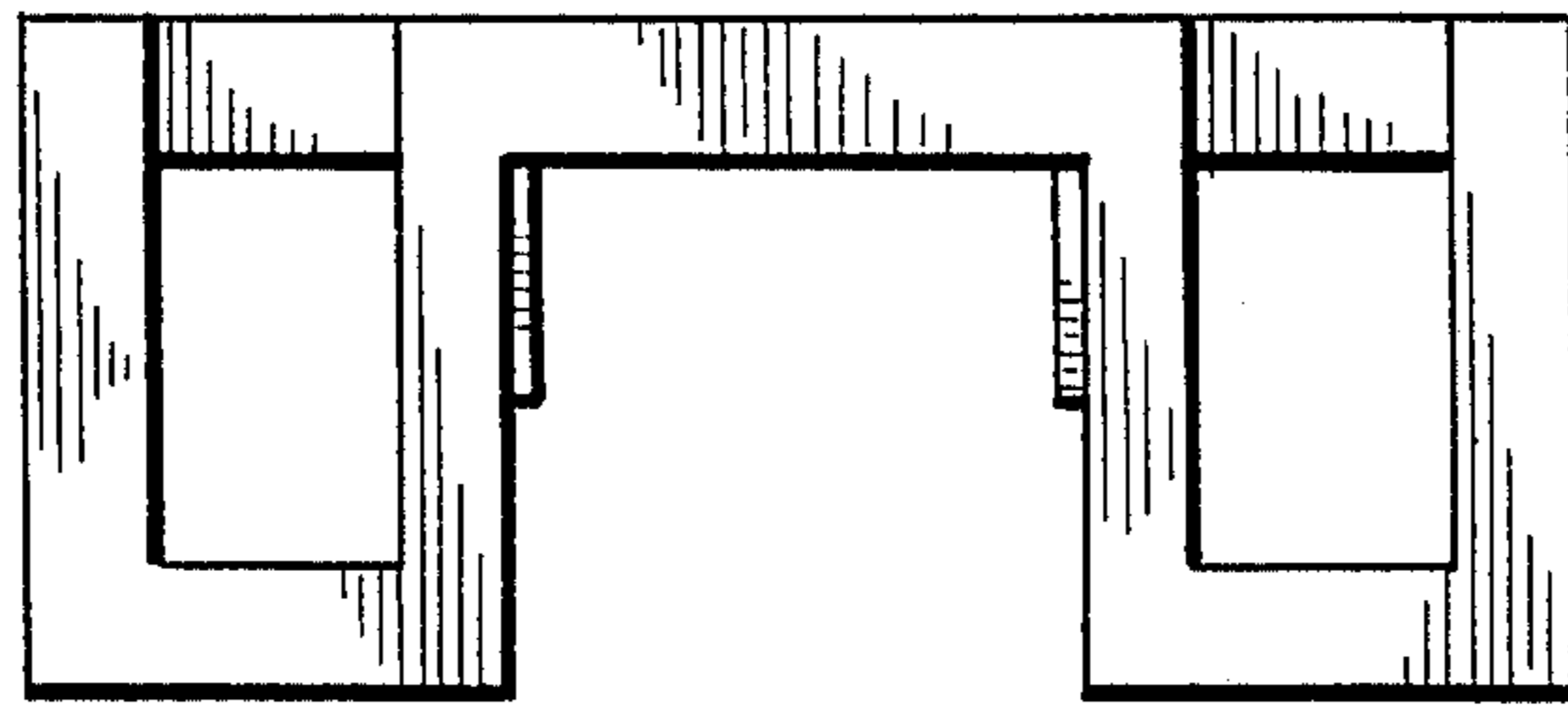


FIG. 1

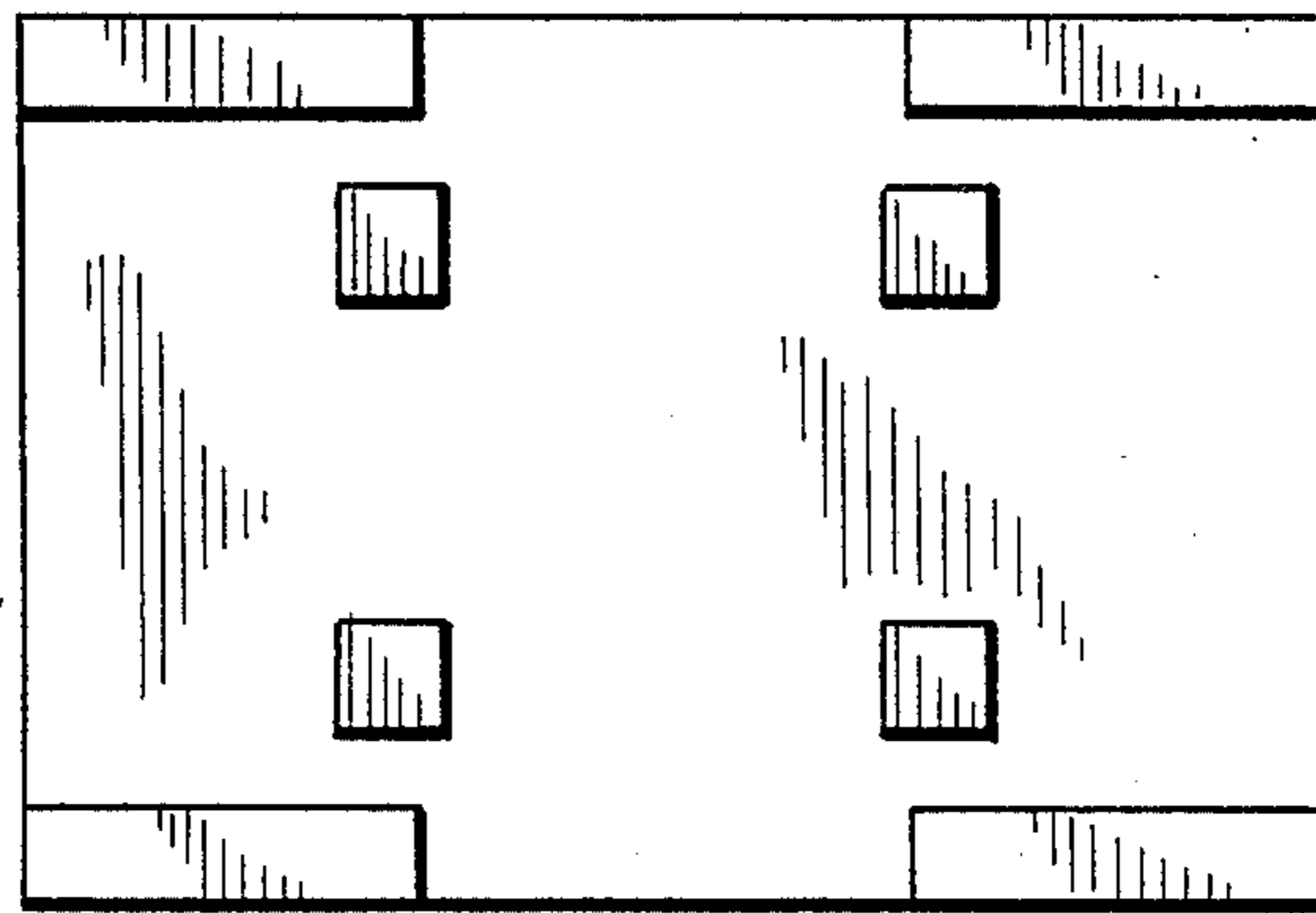


FIG. 2

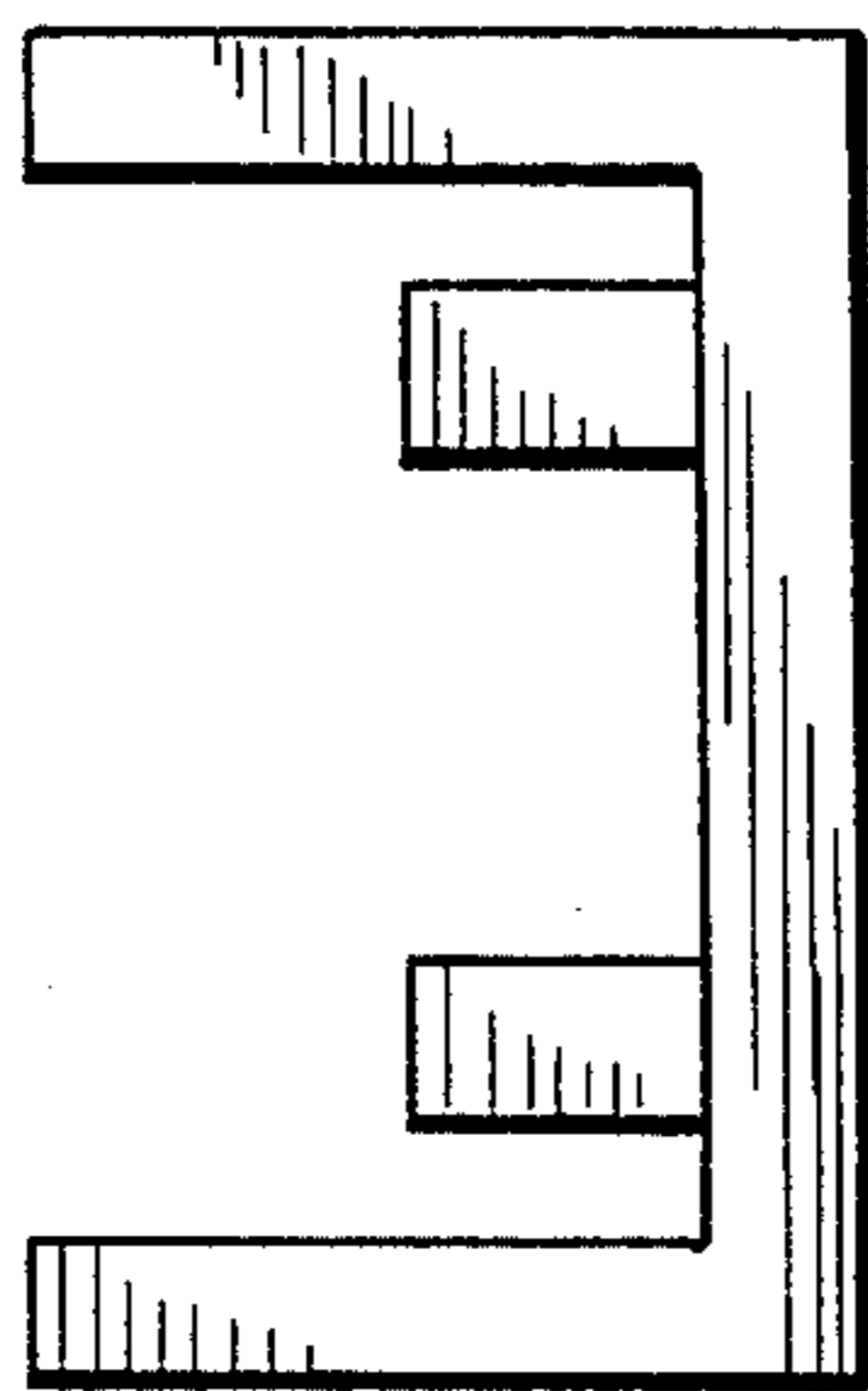


FIG. 3

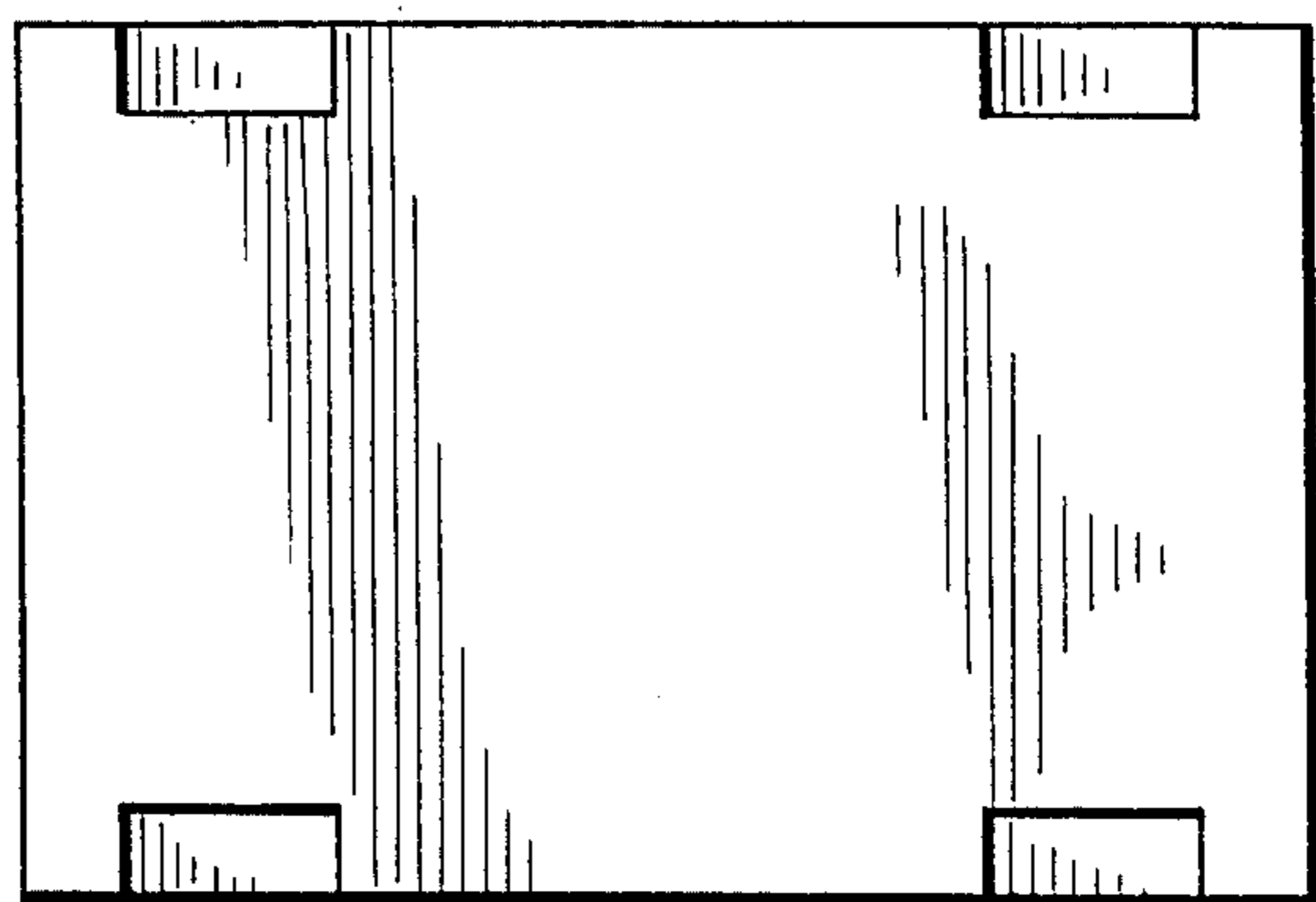


FIG. 4

