

[54] KITCHEN SCALE

[75] Inventor: Rido Busse, Elchingen, Fed. Rep. of Germany

[73] Assignee: Soehnle-Waagen GmbH & Co., Murrhardt, Fed. Rep. of Germany

[**] Term: 14 Years

[21] Appl. No.: 34,317

[22] Filed: Apr. 3, 1987

[30] Foreign Application Priority Data

Feb. 19, 1987 [DD] German Democratic Rep. ... 008217

[52] U.S. Cl. D10/91

[58] Field of Search D10/87, 89, 90, 91, D10/92; 177/225, 227, 228, 229, 230, 231, 238, 240, 241, 242, 243, 245

[56] References Cited

U.S. PATENT DOCUMENTS

D. 245,969 10/1977 Mox D10/91

OTHER PUBLICATIONS

Hardware Age, Household Scale, Model 41, 12/10/84, back cover page.

Foam, 40er Jahre, Entwurf F. Krups, 4/78, p. 94.

HFD-Retailing Home Furnishings, The Family of Scales, 7/3/78, p. 60.

Professional Product Development, Kitchen Scale 03-1810, 6/84, p. 31.

Primary Examiner—Nelson C. Holtje

Assistant Examiner—Antoine D. Davis

Attorney, Agent, or Firm—Flynn, Thiel, Boutell & Tanis

[57] CLAIM

The ornamental design for a kitchen scale, as shown and described.

DESCRIPTION

FIG. 1 is a top, front, and right side perspective view of a kitchen scale showing my new design;

FIG. 2 is a top plan view;

FIG. 3 is a right side elevational view, with the left side being a mirror image;

FIG. 4 is a front elevational view;

FIG. 5 is a rear elevational view;

FIG. 6 is a bottom plan view; and

FIG. 7 is a top, rear, and right side perspective view thereof.

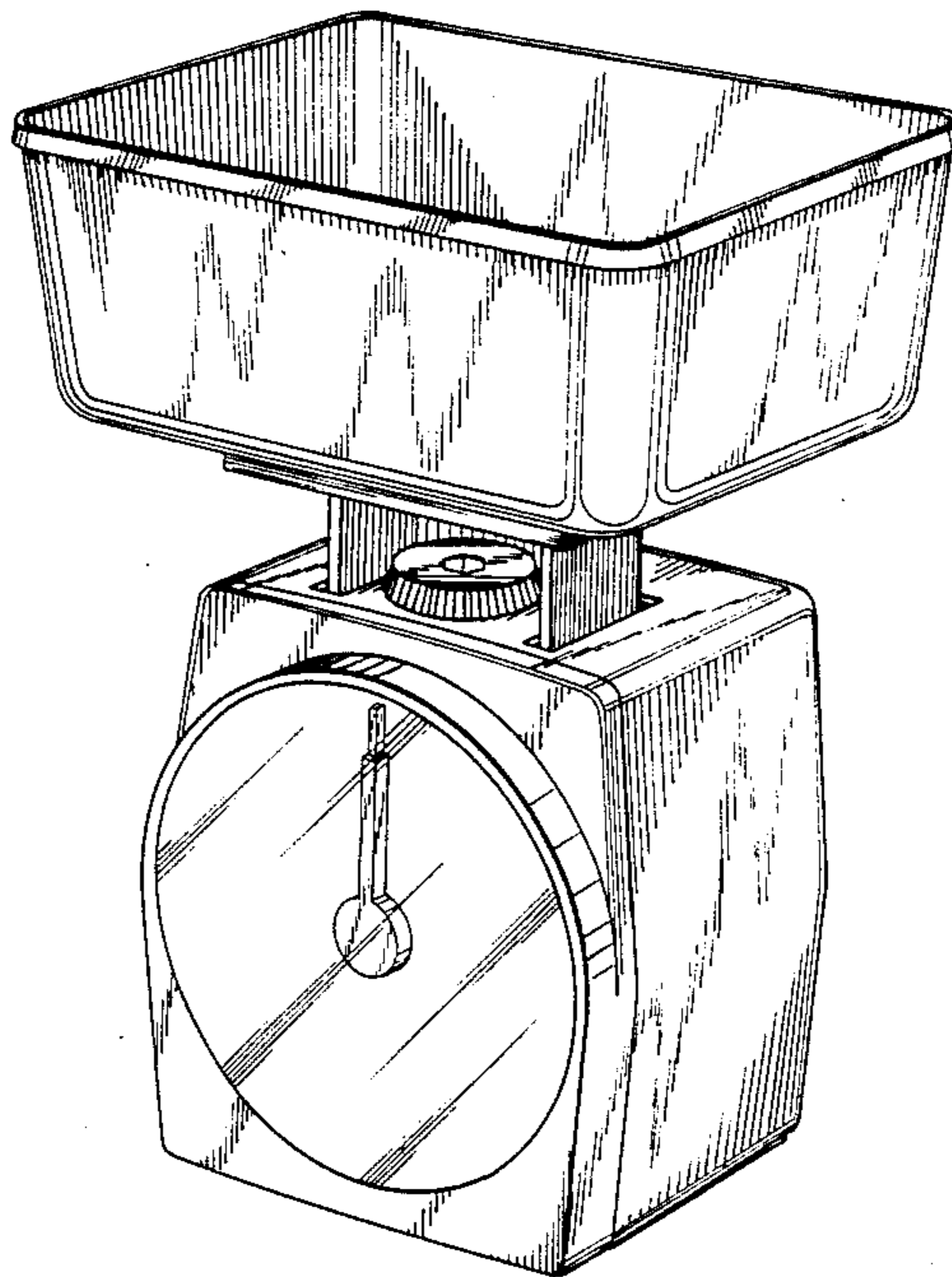


FIG. 1

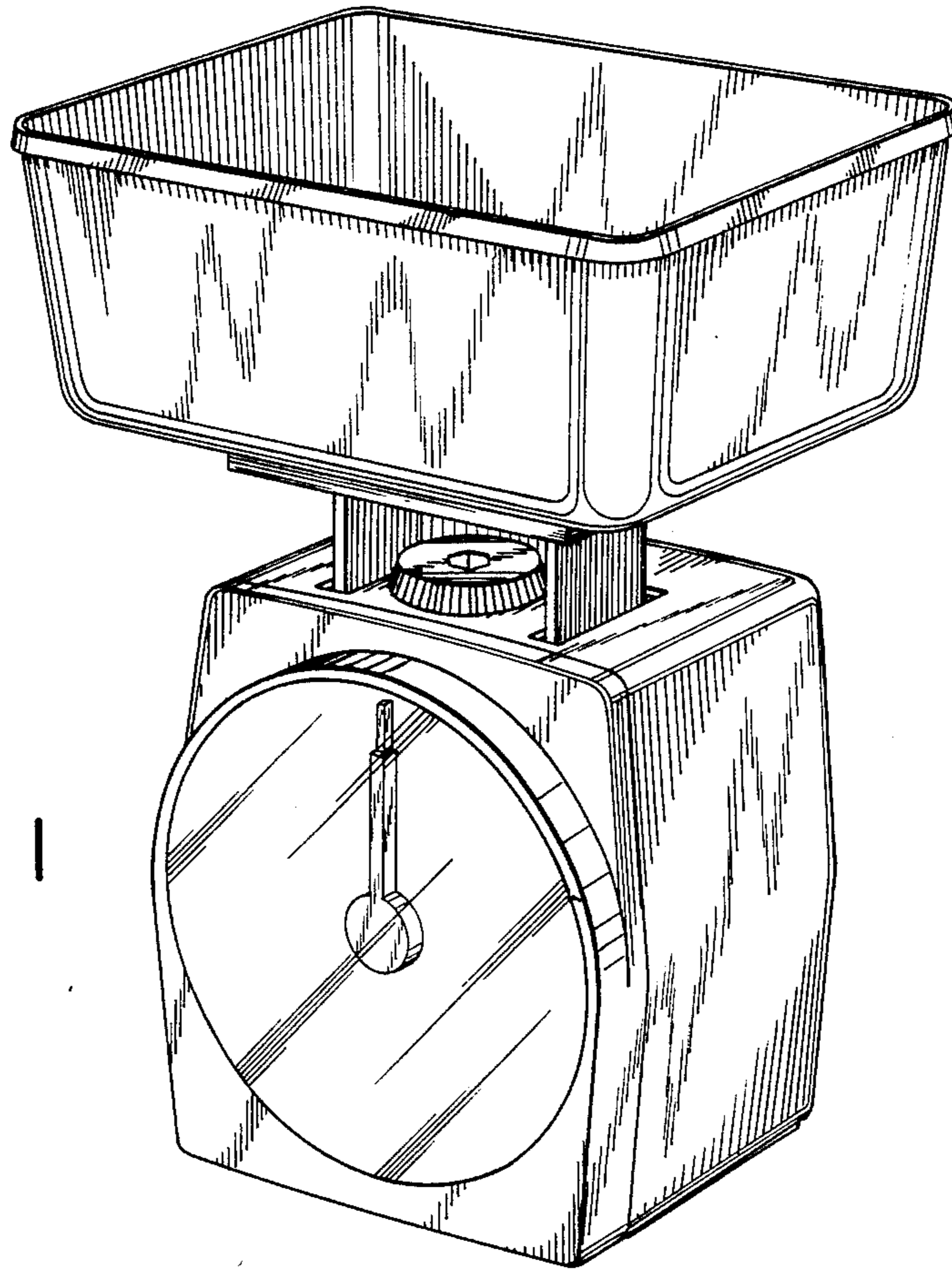
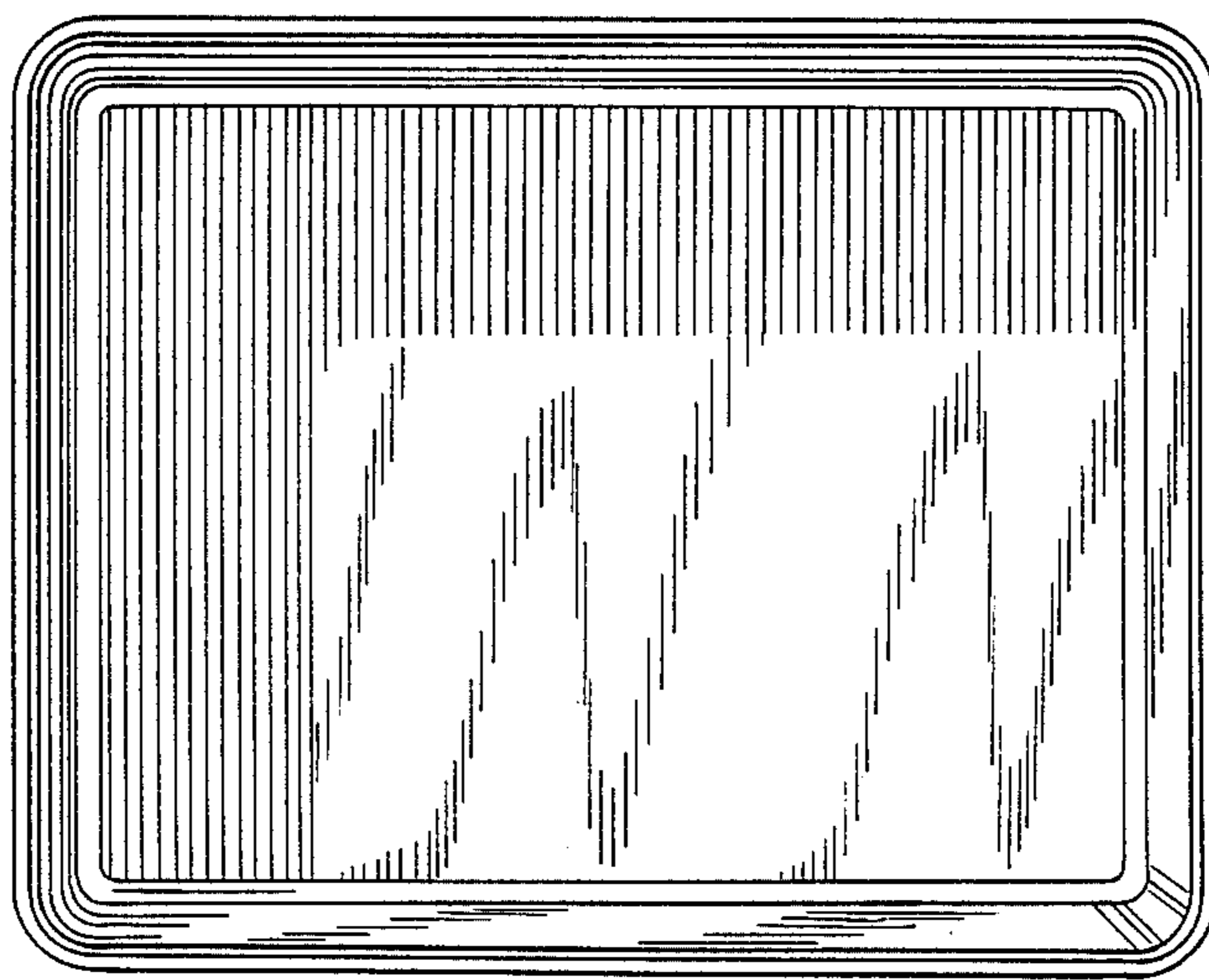


FIG. 2



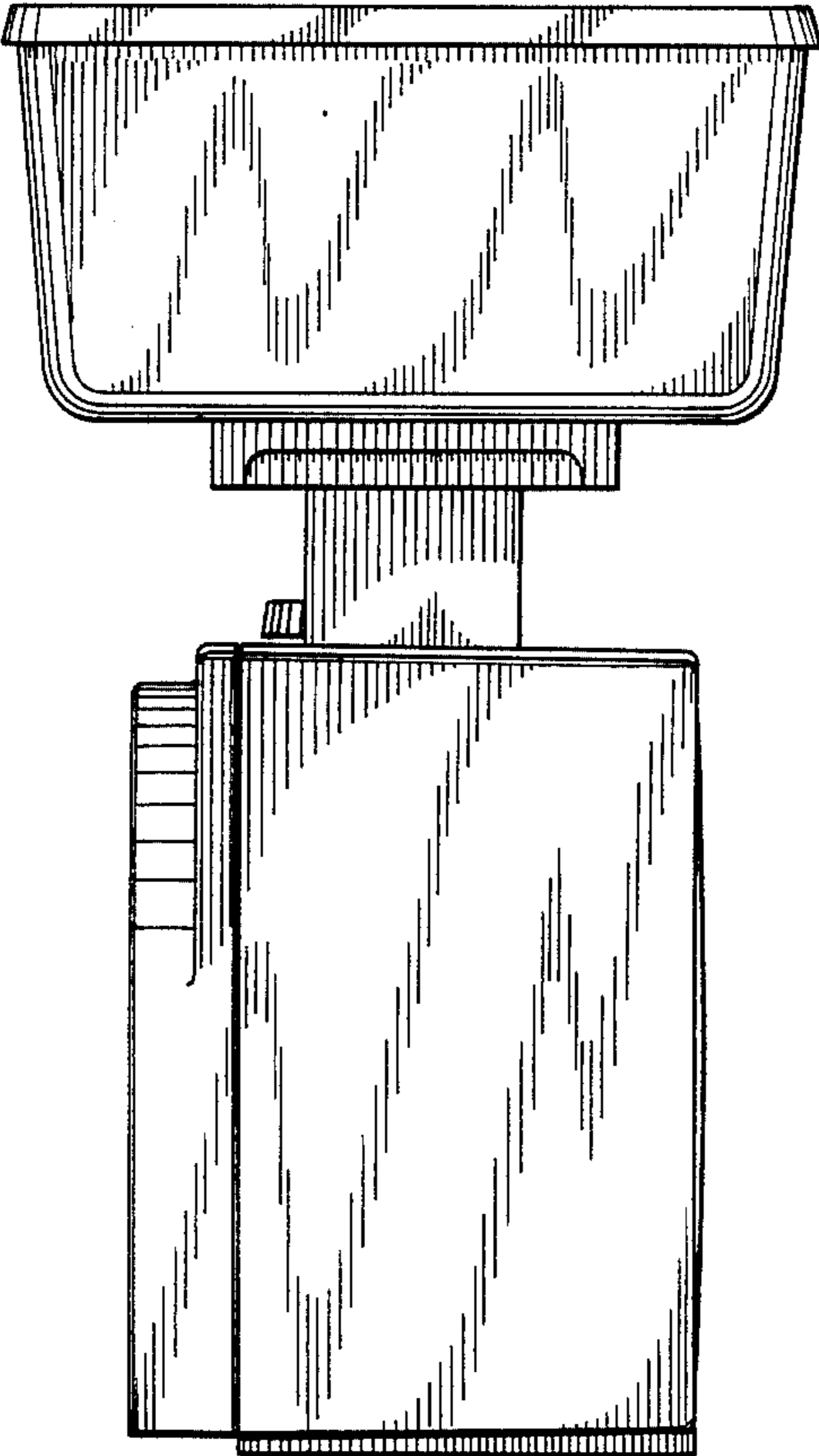


FIG. 3

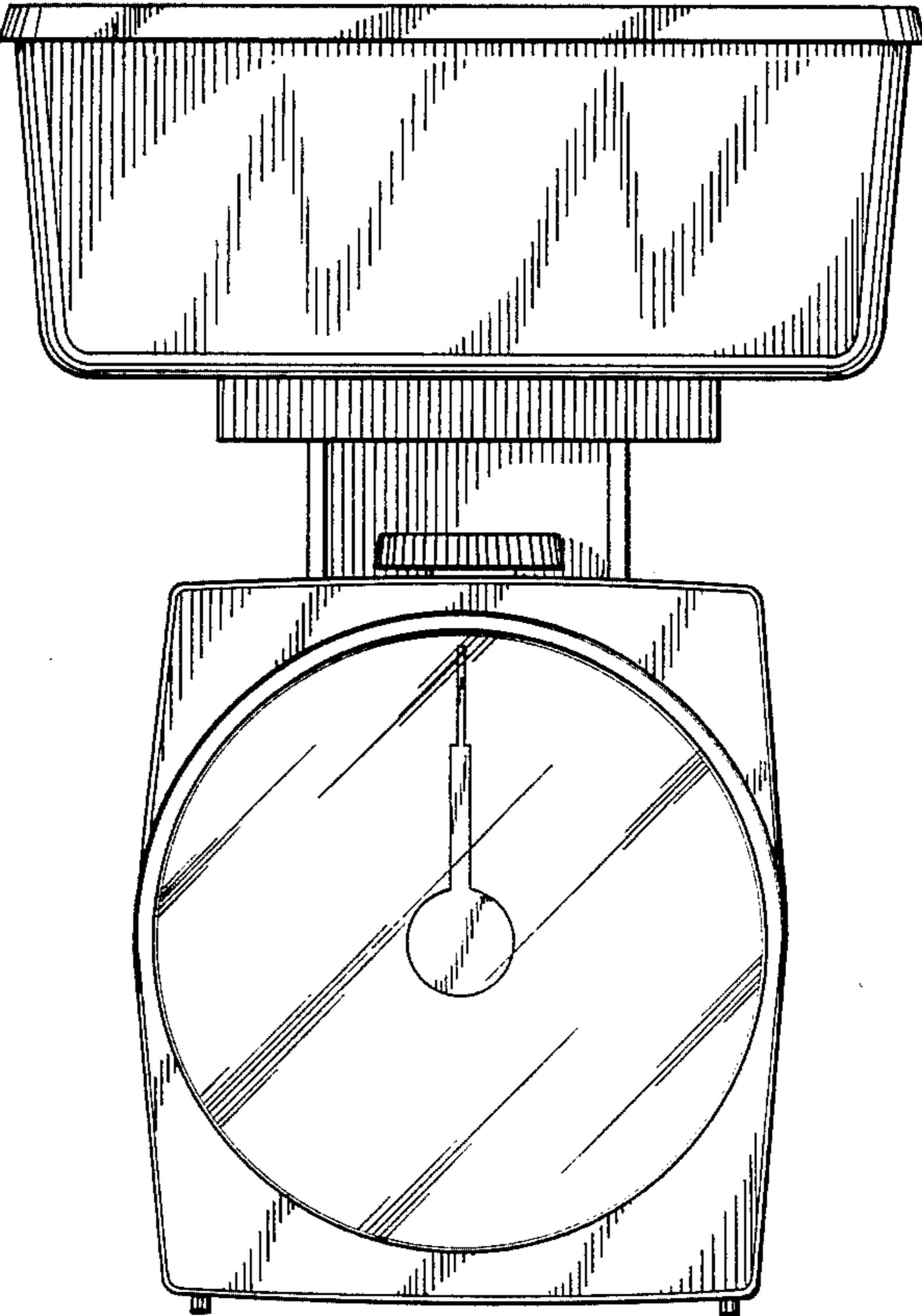


FIG. 4

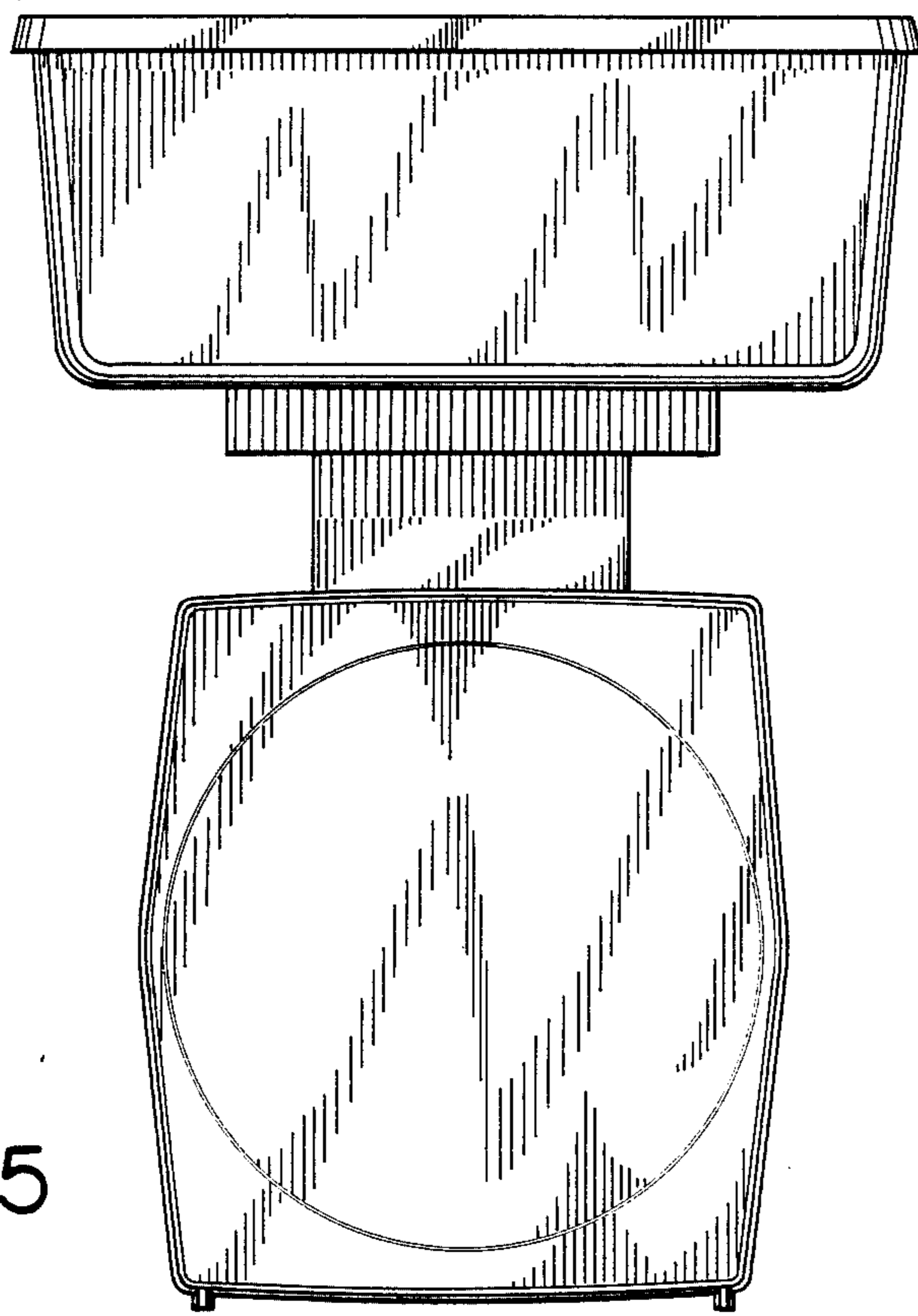


FIG. 5

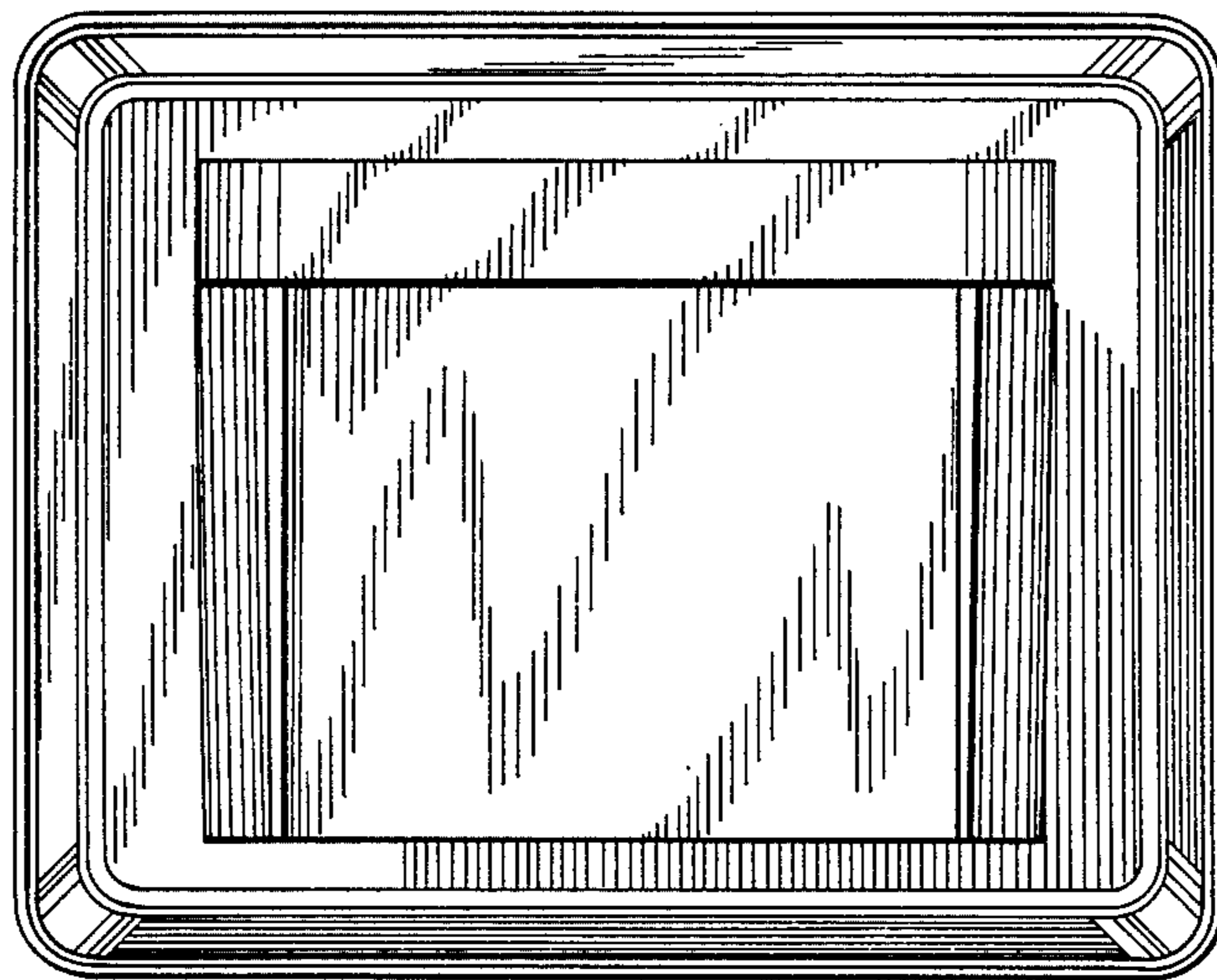


FIG. 6

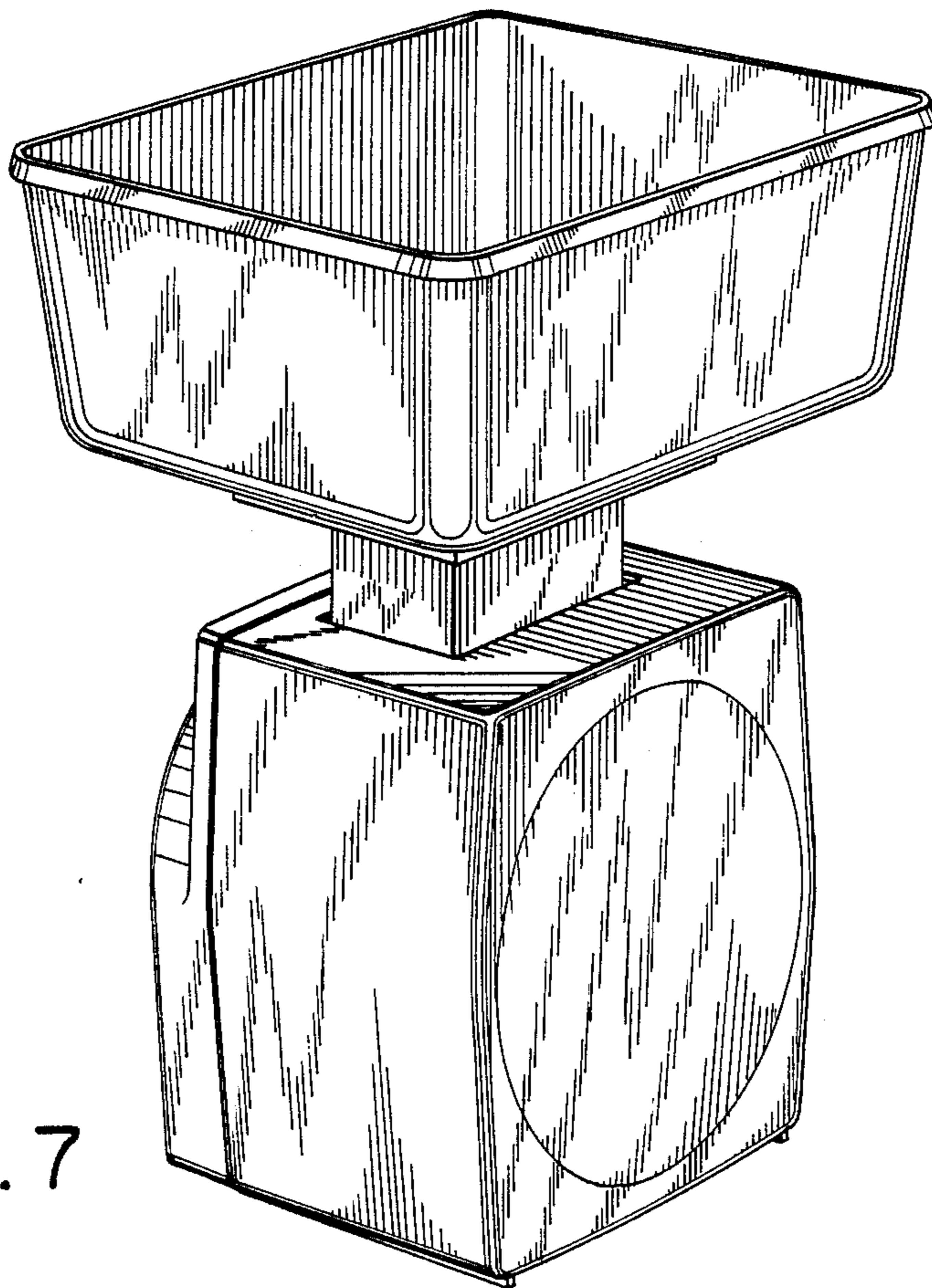


FIG. 7