

[54] **PH METER**

4,490,235 12/1984 Calzi ..... 204/433 X

[75] **Inventor: Ronald C. Johnson, Fullerton, Calif.**

[73] **Assignee: Beckman Instruments, Inc., Fullerton, Calif.**

[\*\*] **Term: 14 Years**

[21] **Appl. No.: 97,466**

[22] **Filed: Sep. 16, 1987**

[52] **U.S. Cl. .... D10/81**

[58] **Field of Search ..... D10/46, 57, 78, 81, D10/75, 102, 103; 73/431; 204/1 T, 1 H, 196, 433, 435; 324/156, 438; 204/407, 430, 1 W**

[56] **References Cited**

**U.S. PATENT DOCUMENTS**

3,294,662 12/1966 Matlow ..... 204/1 H  
4,154,659 5/1979 Zetter ..... 204/433 X  
4,461,998 7/1984 Kater ..... 324/438

**OTHER PUBLICATIONS**

Transeat, pH/mV/Temperature Meter, 1986, p. 373, found in (A.U. 293) Ex. Davis Library.

*Primary Examiner*—Nelson C. Holtje  
*Assistant Examiner*—Antoine D. Davis  
*Attorney, Agent, or Firm*—William H. May; Paul R. Harder

[57] **CLAIM**

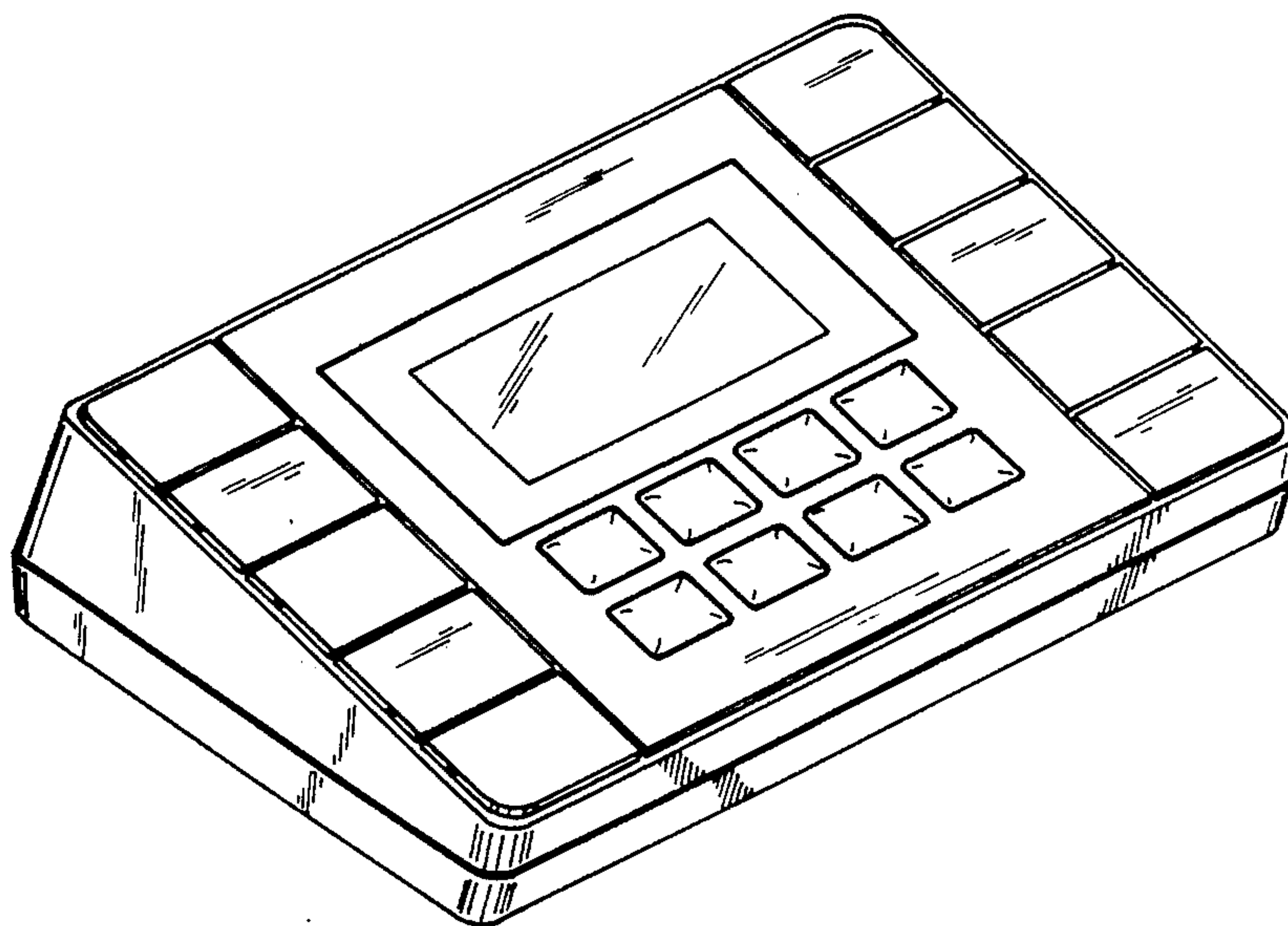
The ornamental design for a pH meter, as shown.

**DESCRIPTION**

FIG. 1 is a top plan, front and left side perspective view of a pH meter showing my new design;

FIG. 2 is a bottom plan, rear, and right side perspective view; and

FIG. 3 is a top plan, front, and left side perspective view of another embodiment of FIGS. 1 and 2 thereof.



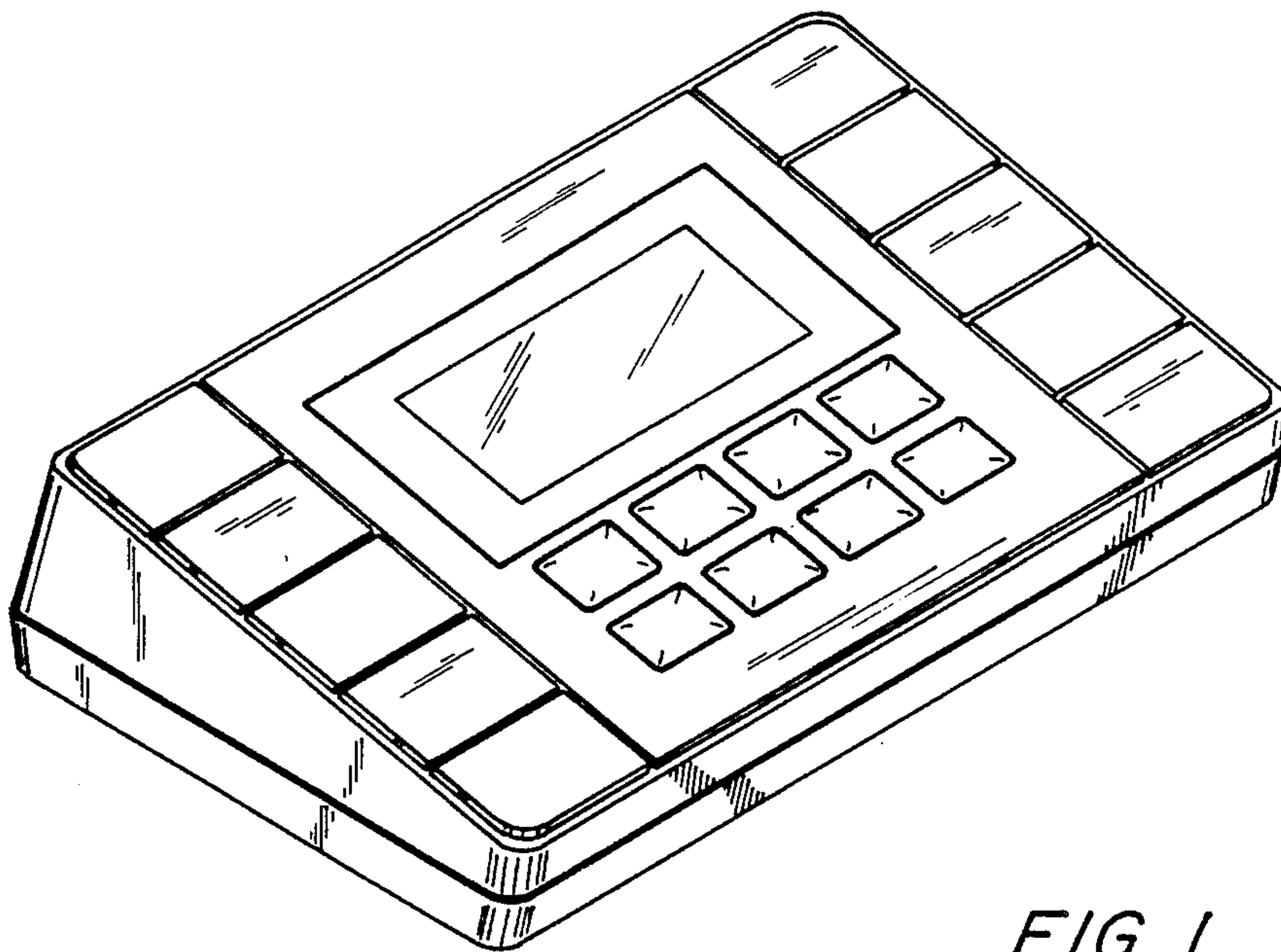


FIG. 1

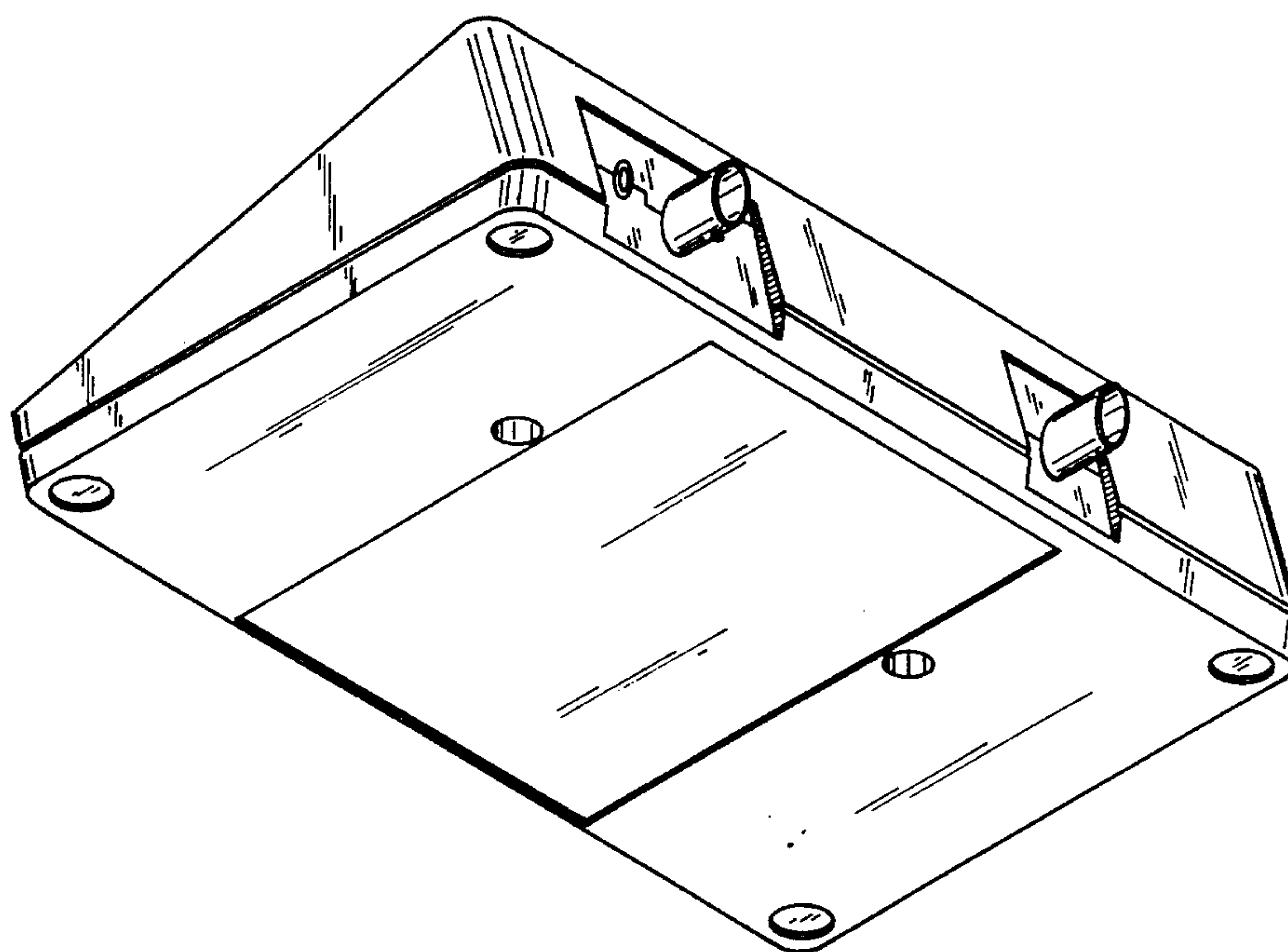


FIG. 2

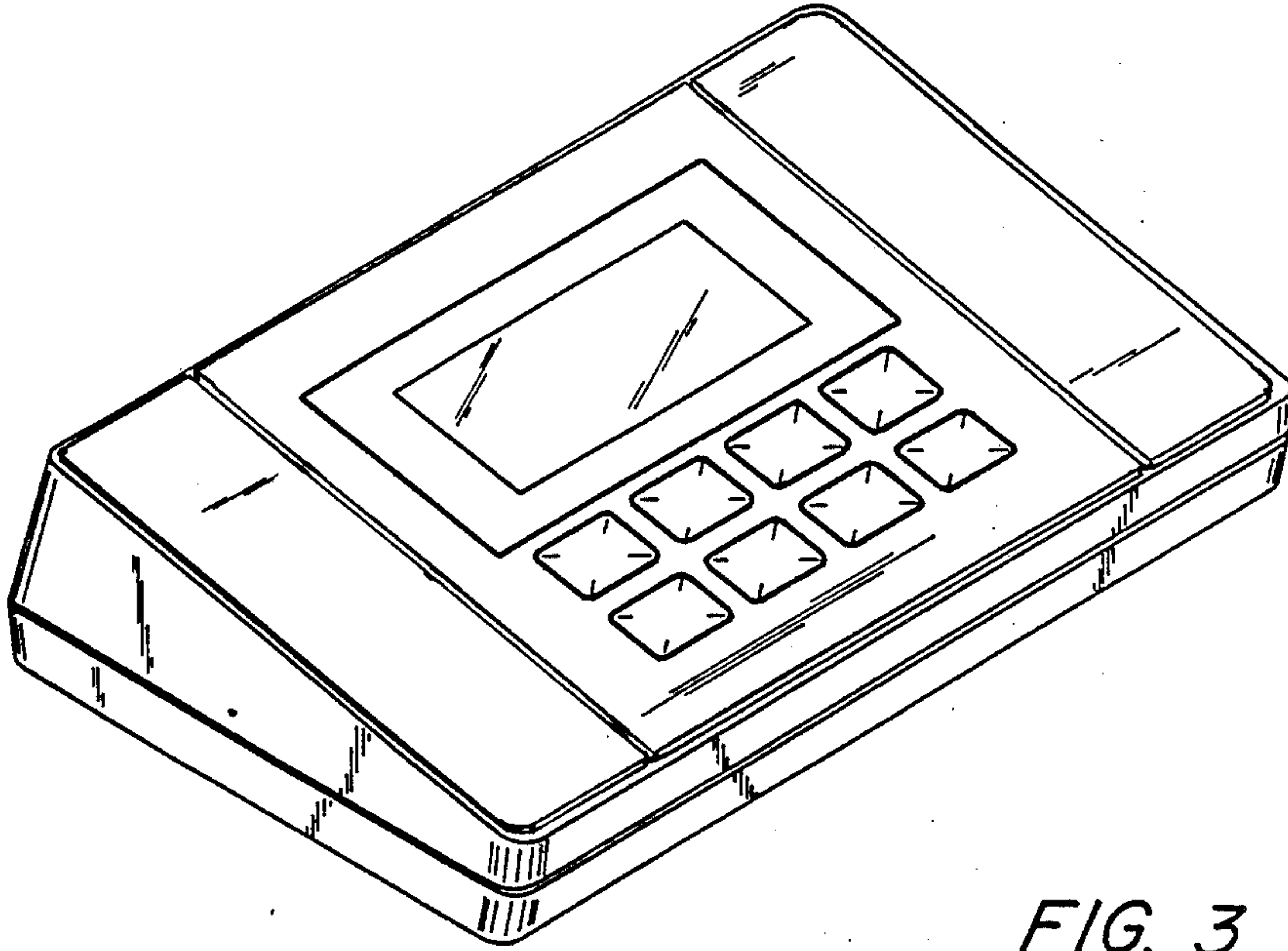


FIG. 3