

[54] COMBINED SPOON AND CONTAINER

[76] Inventor: Manfred Rose, Schillerstrasse 20, 1000 Berlin 12, Fed. Rep. of Germany

[**] Term: 14 Years

[21] Appl. No.: 182,581

[22] Filed: Apr. 18, 1988

[52] U.S. Cl. D9/432; D9/337

[58] Field of Search D9/337, 338, 414-433; 215/DIG. 5; 206/217, 216, 558; 220/212, 23, 307

[56] References Cited

U.S. PATENT DOCUMENTS

D. 283,873	5/1986	Dilot	D9/337
1,607,865	11/1926	Butler	215/DIG. 5 X
2,765,094	10/1956	Ryan	220/338
3,550,805	12/1970	Leonforte	220/212

3,679,093	7/1972	Chang	220/23 X
3,730,372	5/1973	Komendowski	215/DIG. 5 X
3,955,742	5/1976	Marshall et al.	220/307 X
4,095,716	6/1978	Meany	215/DIG. 5 X
4,300,700	11/1981	Chang	220/307 X

Primary Examiner—Melvin B. Feifer
Assistant Examiner—Prabhakar Deshmurh
Attorney, Agent, or Firm—Nils H. Ljungman

[57] CLAIM

The ornamental design for a combined spoon and container, as shown and described.

DESCRIPTION

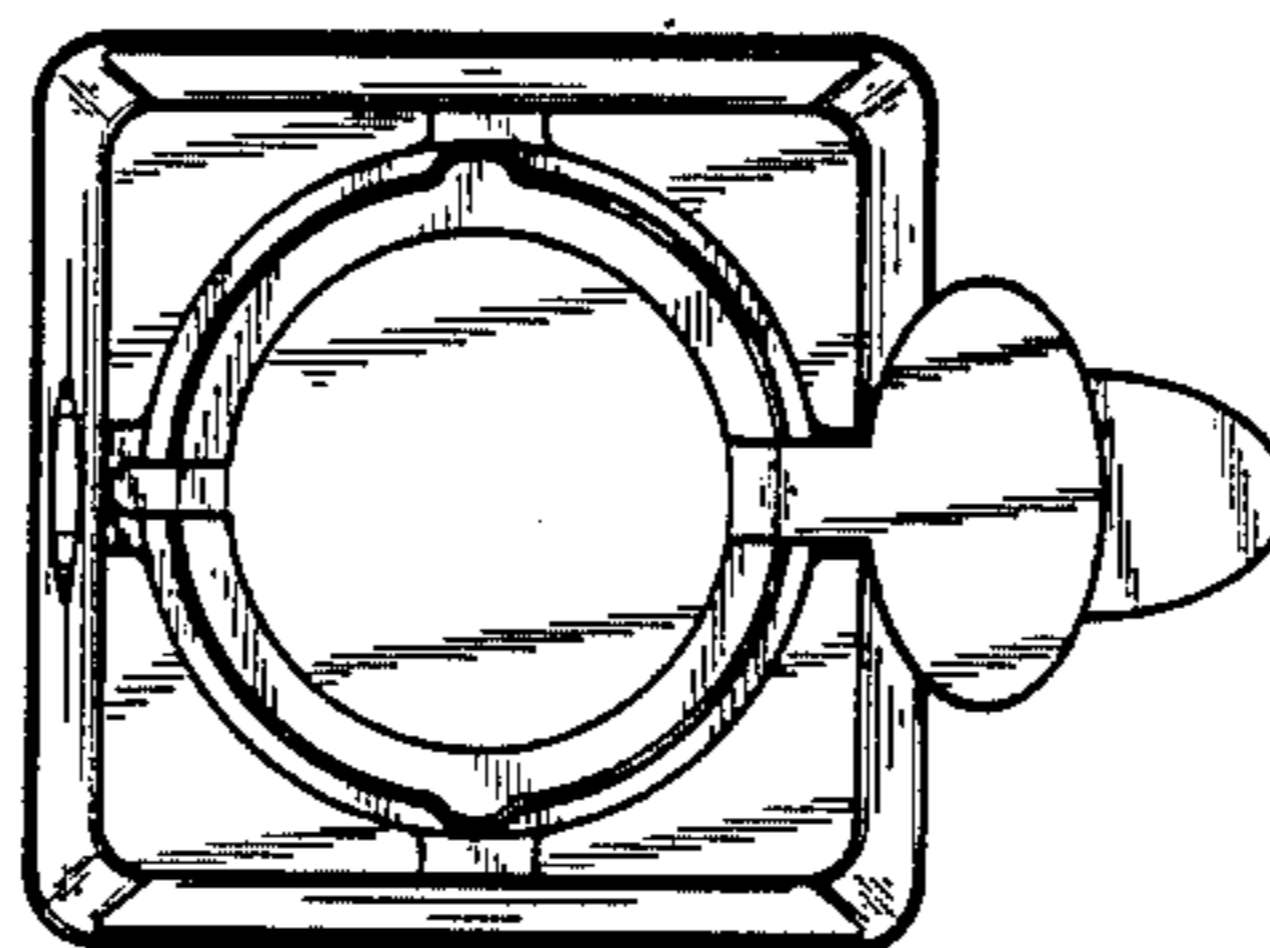
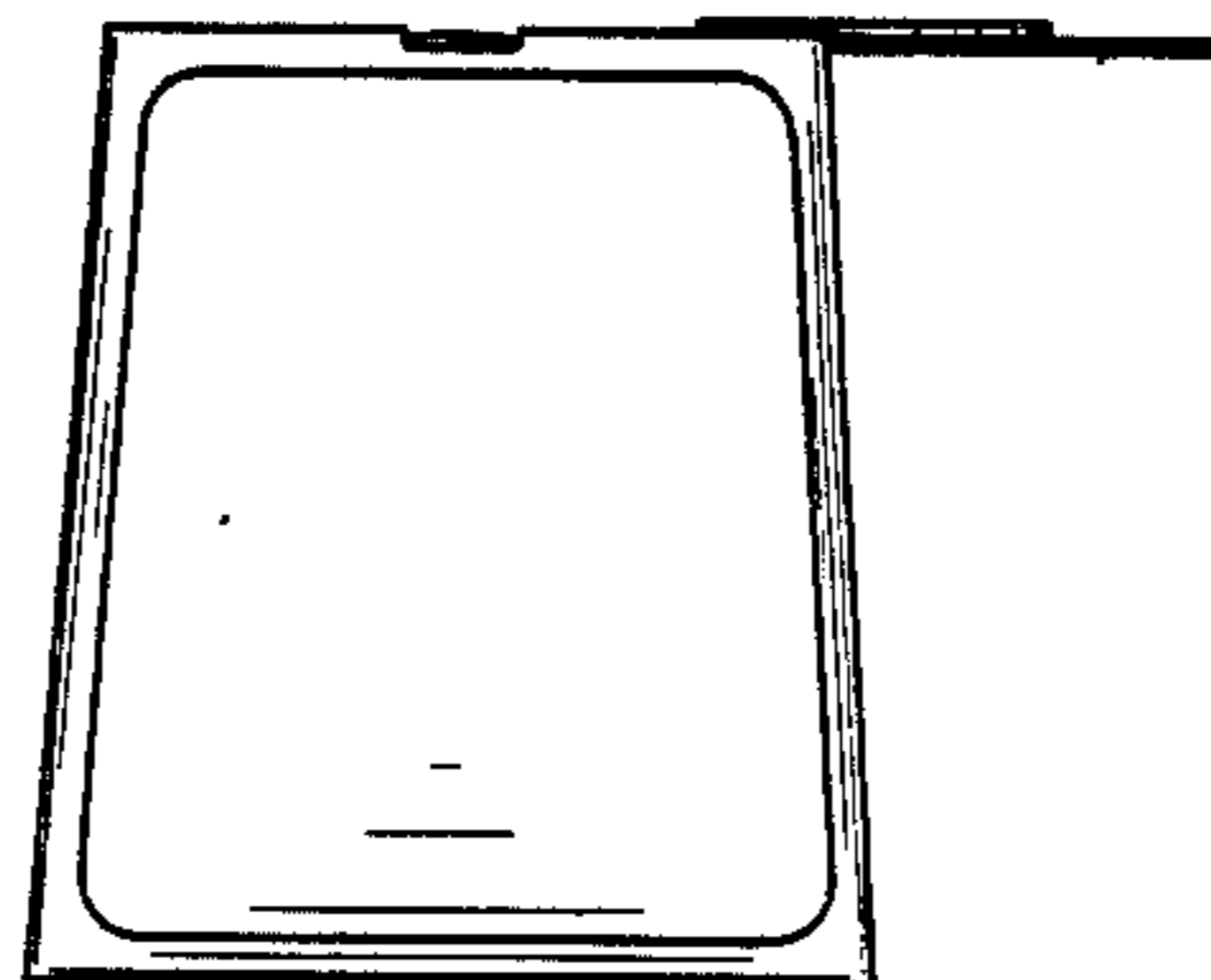
FIG. 1 is a front elevation of a combined spoon and container showing my new design; the rear elevation being a mirror image;

FIG. 2 is a top plan view thereof;

FIG. 3 is a right side elevation thereof;

FIG. 4 is a bottom plan view thereof; and

FIG. 5 is a left side elevation thereof.



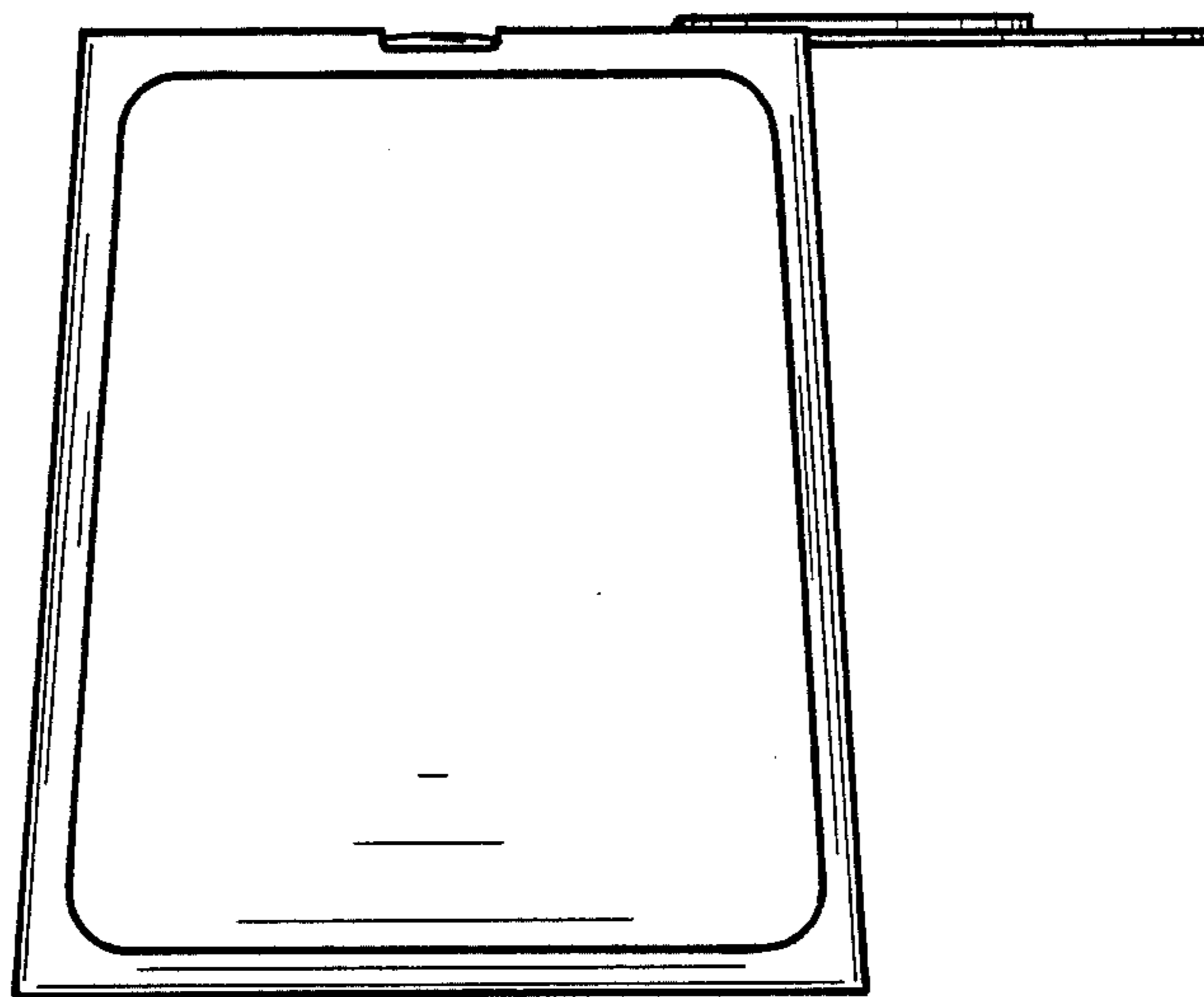


Fig. 1

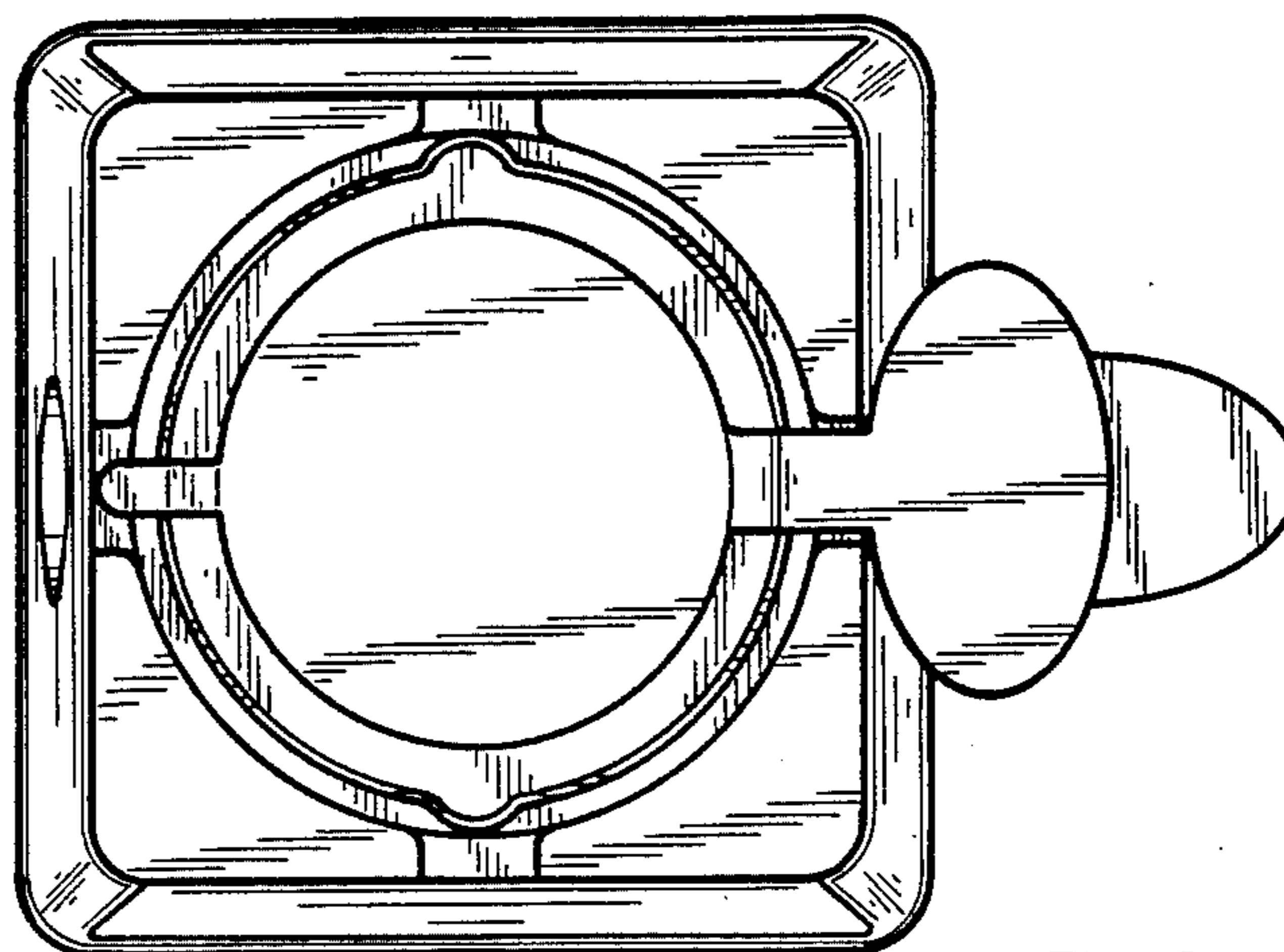


Fig. 2

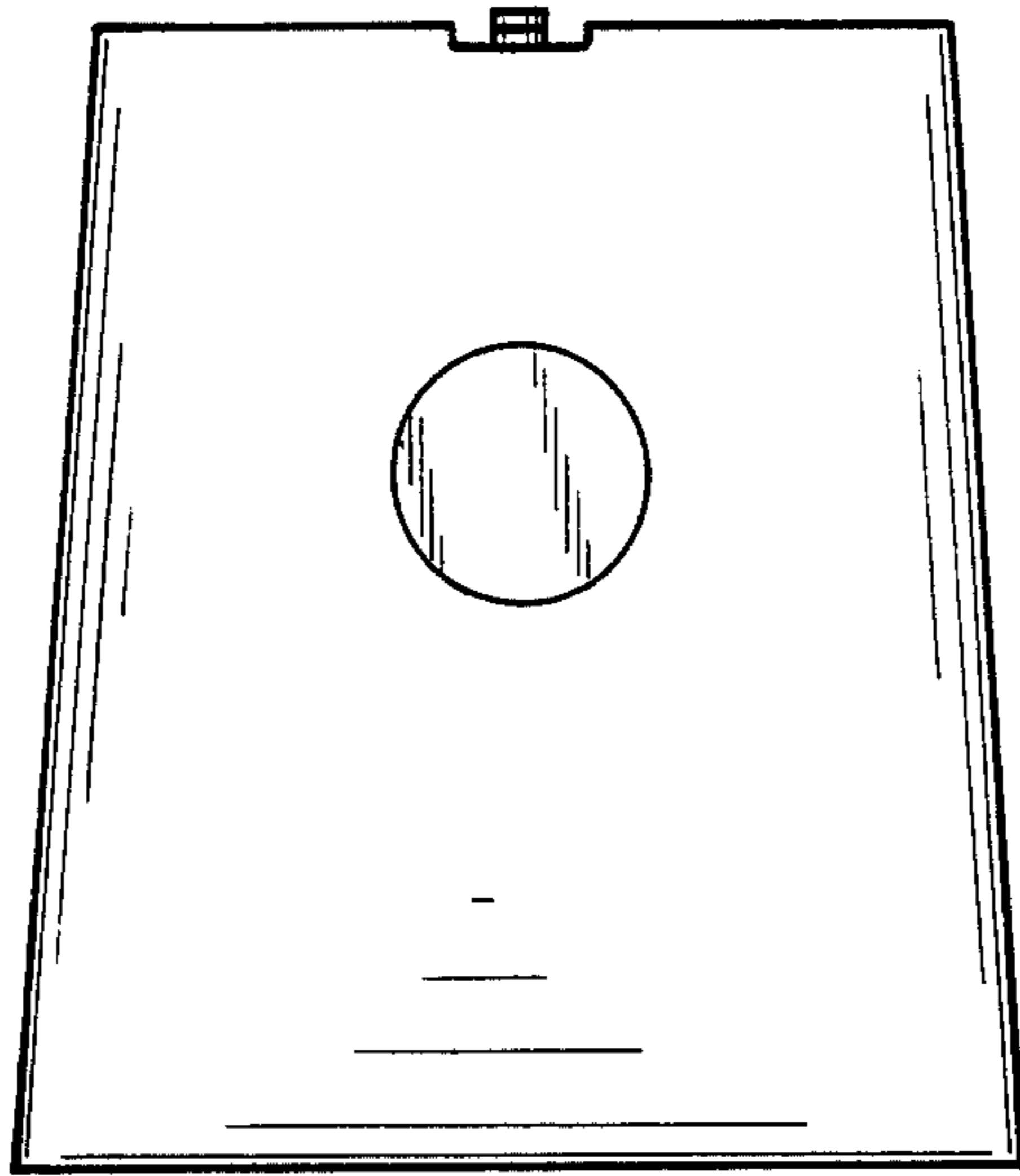


Fig. 3

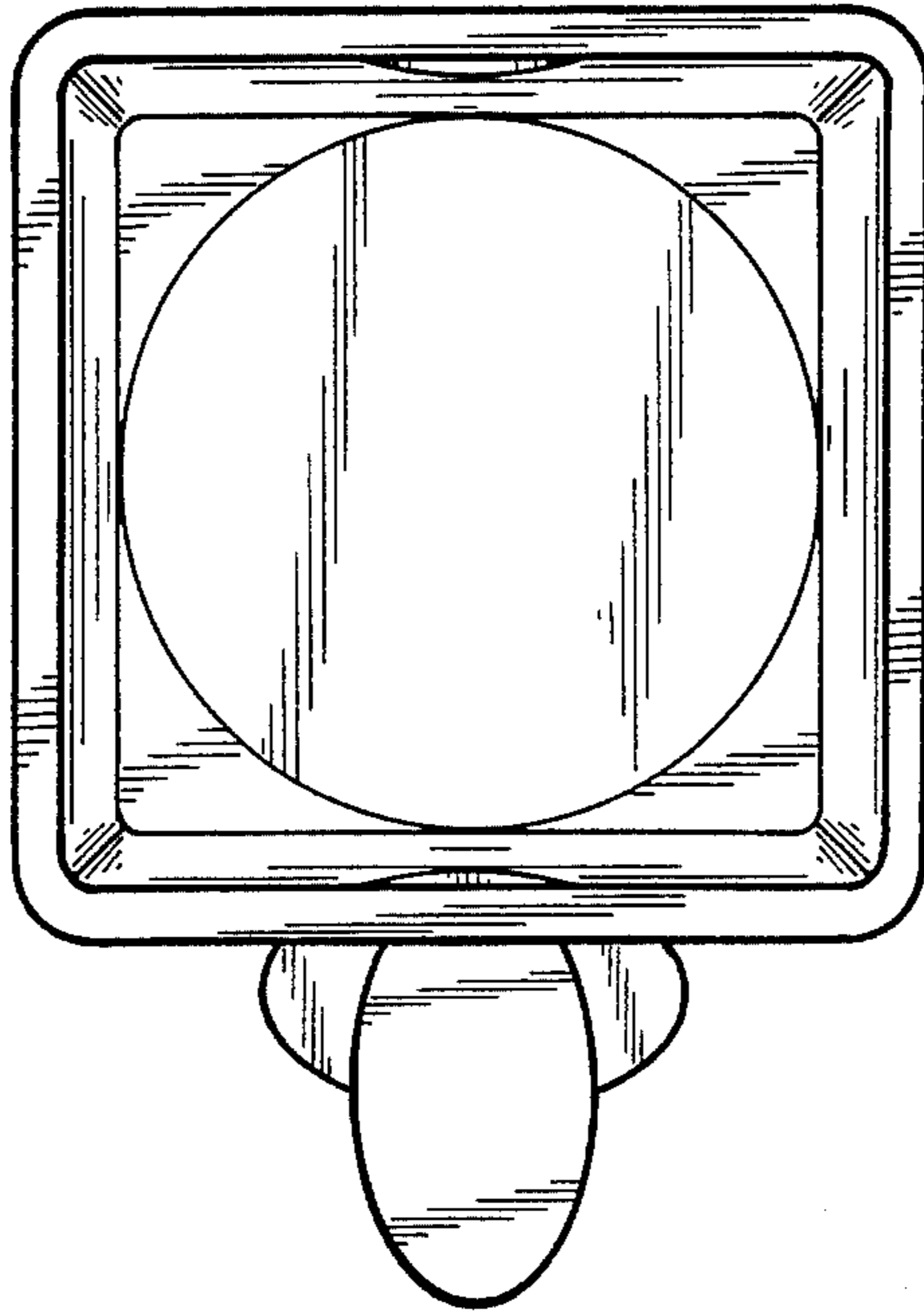


Fig. 4

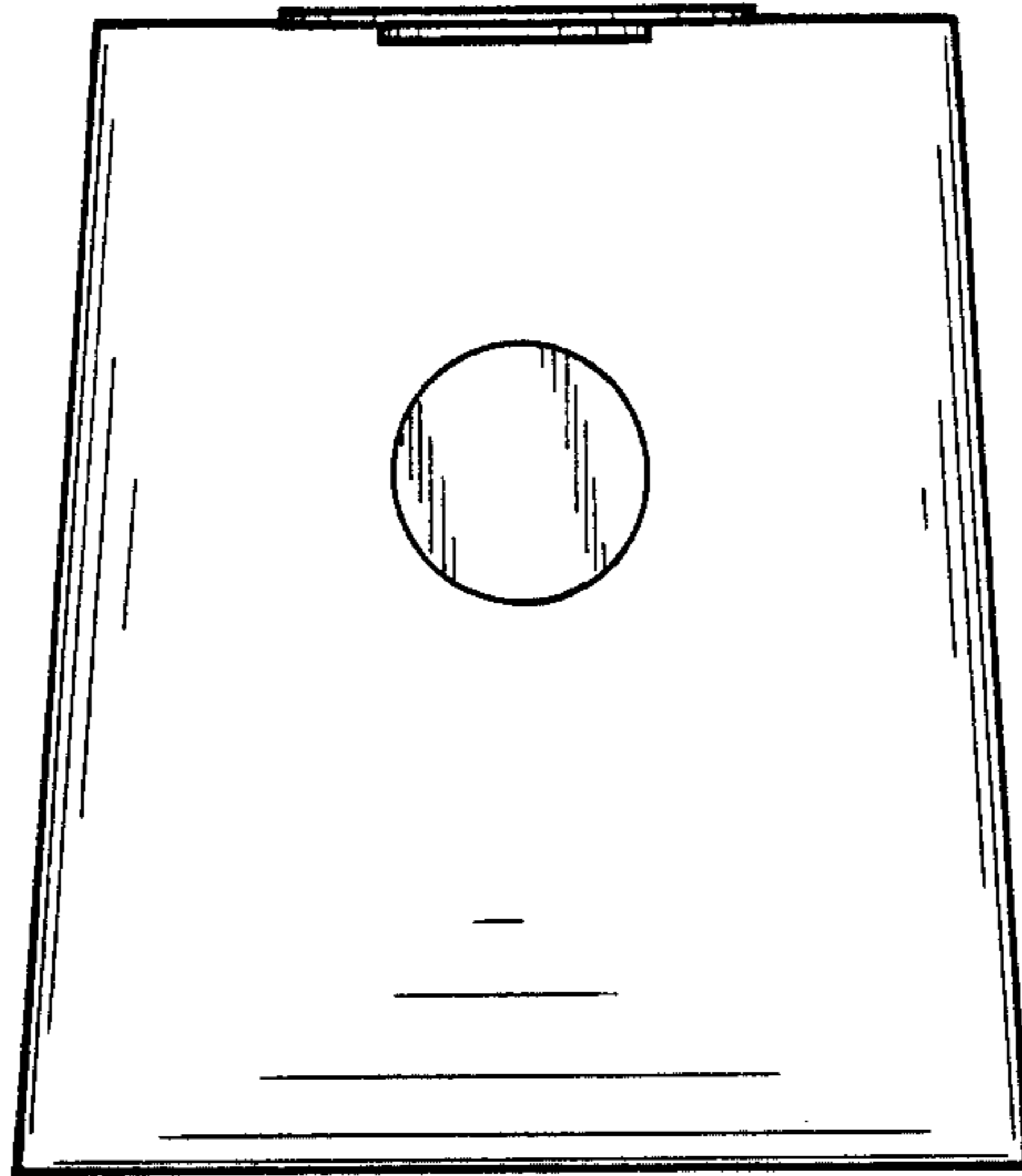


Fig. 5