

[54] **SPRAYER CANISTER**  
 [75] **Inventor: Richard W. Meyersburg, Tenafly, N.J.**  
 [73] **Assignee: VMC Industries, Inc., Philadelphia, Pa.**  
 [\*\*] **Term: 14 Years**  
 [21] **Appl. No.: 43,588**  
 [22] **Filed: Apr. 28, 1987**  
 [52] **U.S. Cl. .... D9/378; D9/399; D23/255**  
 [58] **Field of Search ..... D7/79; D9/349, 350, D9/351, 352, 356, 367, 378, 390, 434; 215/100; 239/375, 376; D23/202, 213, 225; 220/1 M, 352, 354, 94 R, 94 A**

2,508,597	5/1950	Dalrymple .....	220/57
2,606,586	8/1952	Hill .....	150/0.5
2,622,770	12/1952	Penno .....	222/464
2,670,882	3/1954	Best .....	222/464
3,240,398	3/1966	Dalton, Jr. ....	222/193
3,381,845	5/1968	MacDonald .....	220/40
3,401,842	9/1968	Morrison .....	222/181
3,507,451	4/1970	Johnson .....	239/305
3,593,921	7/1971	Boltic .	
3,714,967	2/1973	Zupan et al. .	
3,942,680	3/1976	Seeley et al. .	
4,151,929	5/1979	Sapien .	
4,166,431	9/1979	Pickering .	
4,323,371	4/1982	Ritvanen .	
4,405,088	9/1983	Gray .	

*Primary Examiner*—B. J. Bullock  
*Assistant Examiner*—Sandra Morris  
*Attorney, Agent, or Firm*—Panitch Schwarze Jacobs & Nadel

[56] **References Cited**  
**U.S. PATENT DOCUMENTS**

D. 39,140	2/1908	Brereton .....	D7/79
816,625	4/1906	Wallace et al. ....	220/1 L
1,583,927	5/1926	Hersleb .	
1,837,844	12/1931	Wyzenbeek .	
1,843,269	2/1932	Capser .	
2,145,077	1/1939	Farr .....	220/40
2,178,964	11/1939	Hulse .....	220/57
2,323,618	7/1943	Ottoson .....	299/85
2,403,778	7/1946	Zdanaitis .....	220/40

[57] **CLAIM**

The ornamental design for a sprayer canister, as shown.

**DESCRIPTION**

FIG. 1 is a perspective view of the sprayer canister showing my new design;  
 FIG. 2 is a front elevational view thereof;  
 FIG. 3 is a side elevational view thereof;  
 FIG. 4 is a top plan view thereof;  
 FIG. 5 is a bottom plan view thereof.

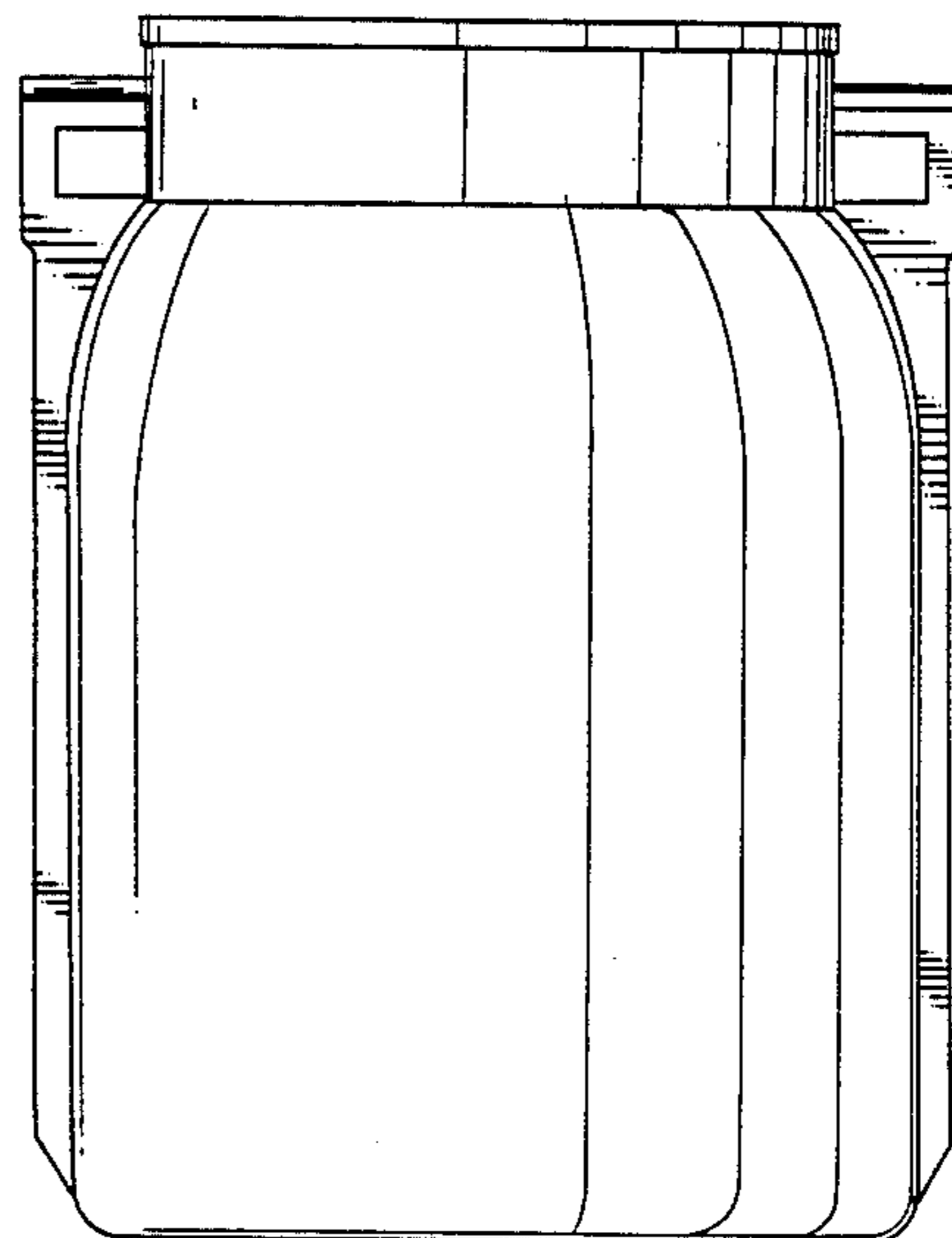
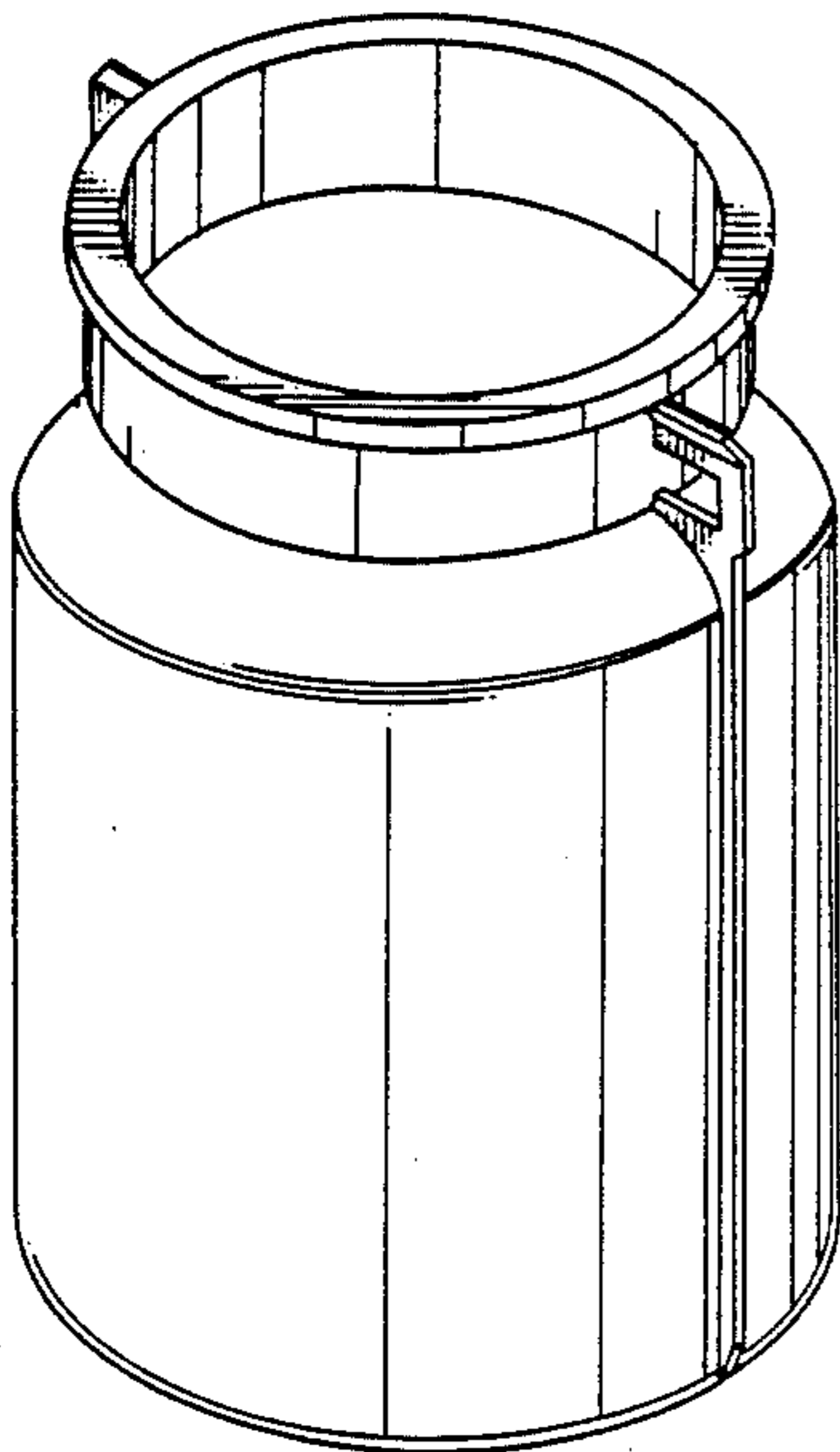


FIG. 1

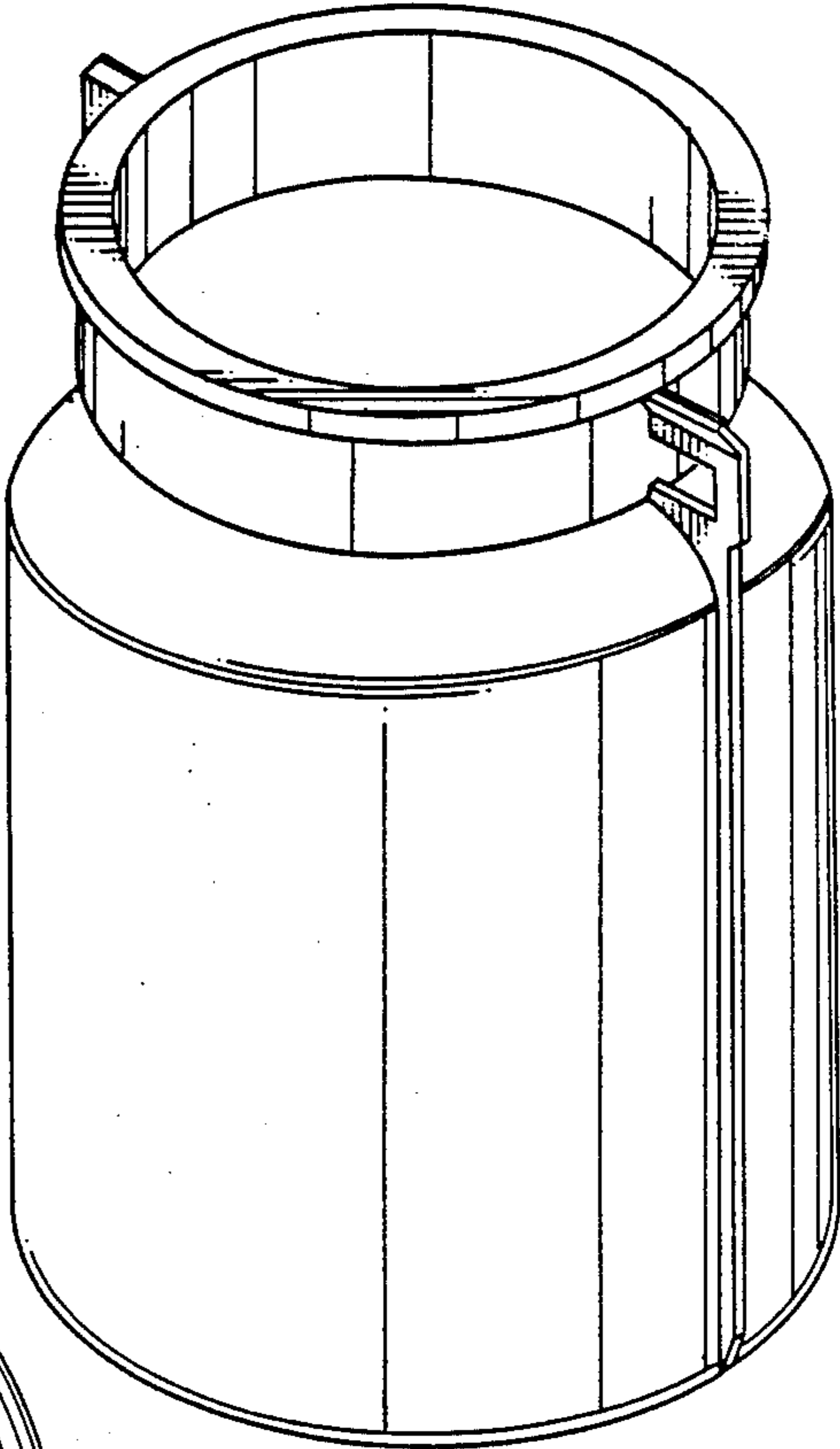


FIG. 4

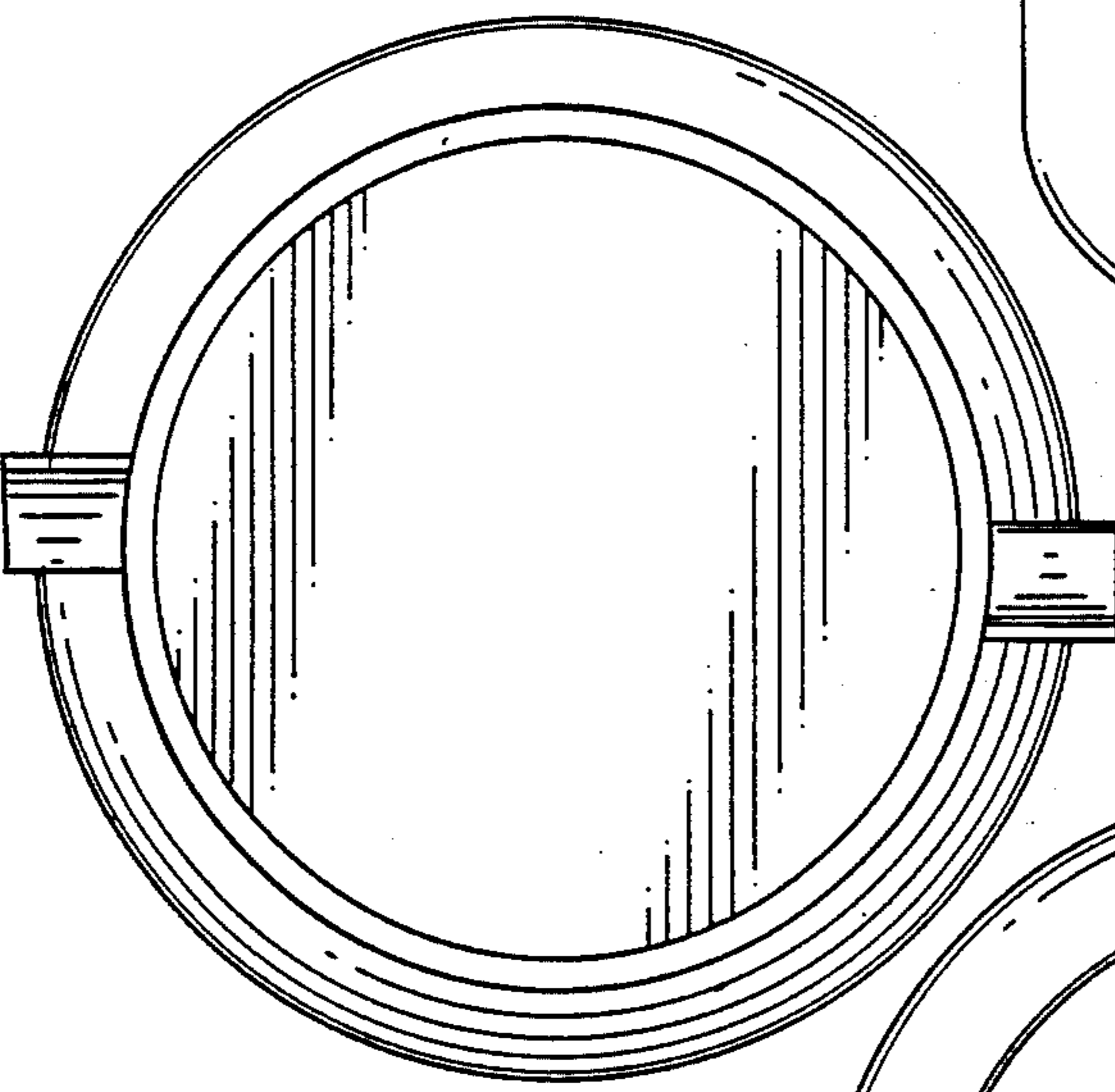
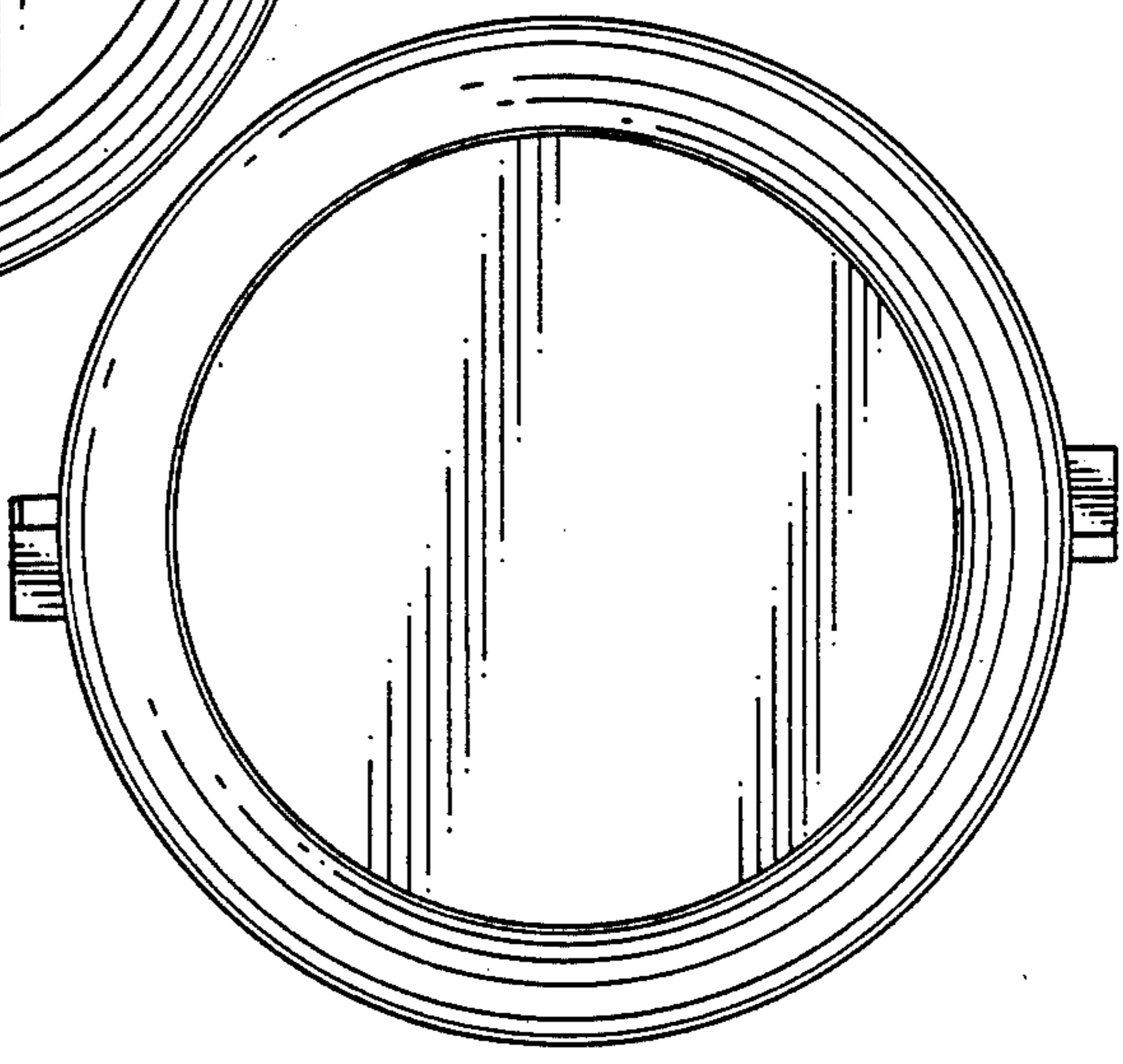


FIG. 5



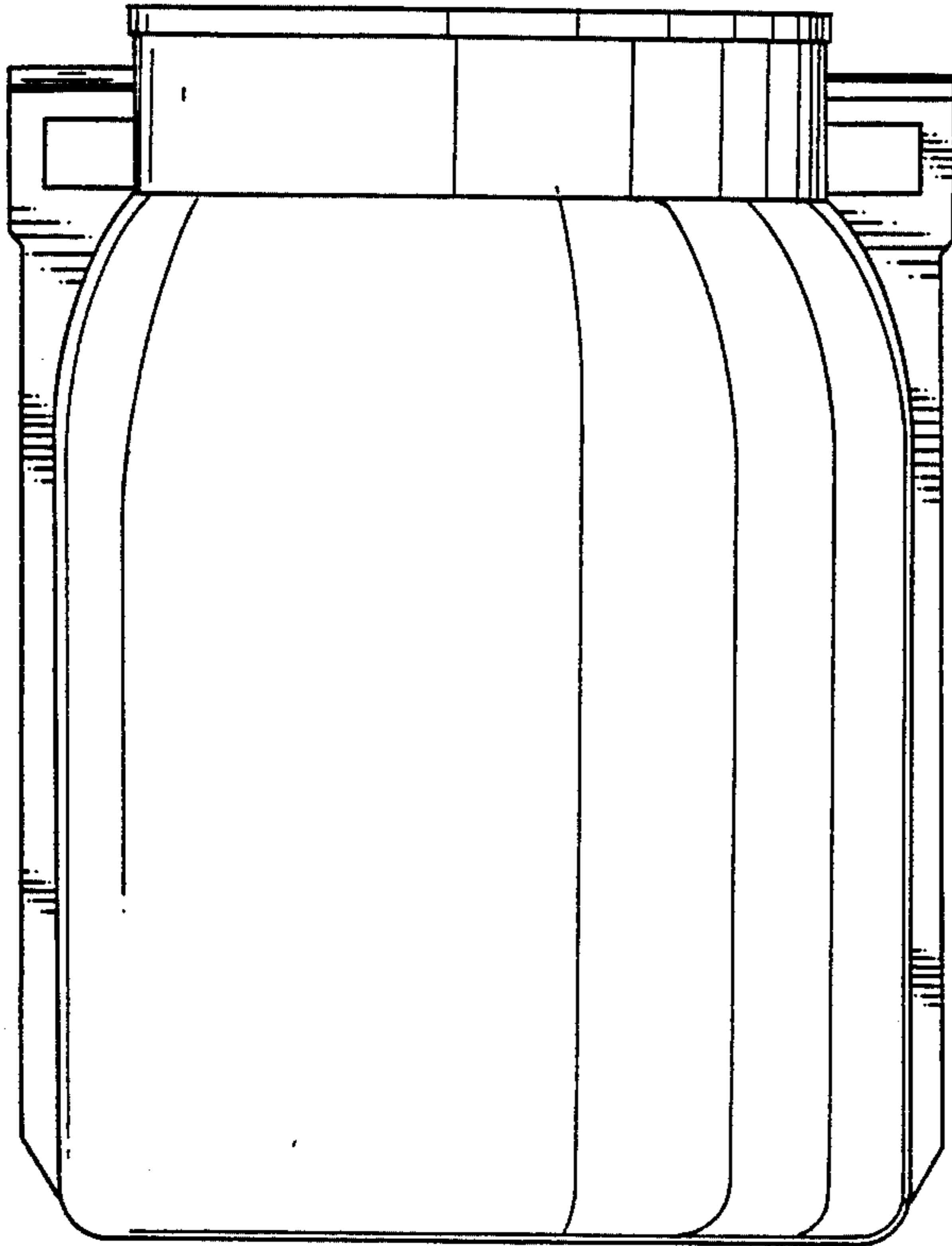


FIG. 2

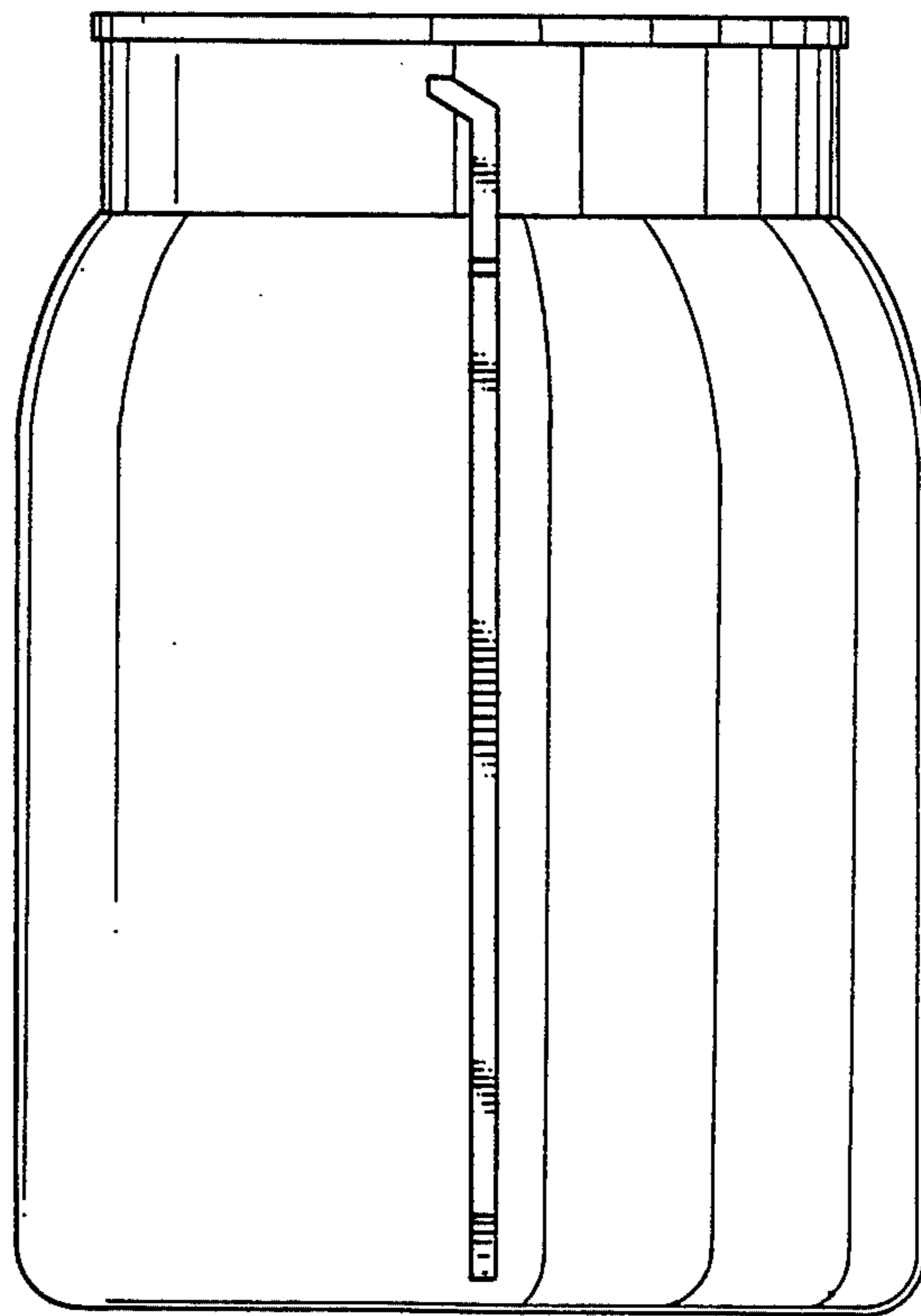


FIG. 3