

United States Patent [19]

Martine

[11] Patent Number: Des. 309,856

[45] Date of Patent: ** Aug. 14, 1990

[54] **HANDHELD ELECTRONIC KITE CONTROL**

[76] Inventor: **Michel L. Martine**, 470 Memorial Dr. #341, Chicopee, Mass. 01020

[**] Term: **14 Years**

[21] Appl. No.: **154,992**

[22] Filed: **Feb. 8, 1988**

[52] U.S. Cl. **D8/358**

[58] Field of Search D8/356, 358, 359; D22/137, 134; 242/96

[56] **References Cited**

U.S. PATENT DOCUMENTS

D. 205,533	8/1966	Grunewold	D8/359
D. 206,448	12/1966	Nieman et al.	D8/359
D. 211,654	7/1968	Beiderwell	D8/359
D. 250,746	1/1979	Powell	D8/358
D. 273,410	4/1984	Tornosy	D22/134
D. 275,263	8/1984	Cutler	D8/358
D. 278,881	5/1985	Nicholson	D8/359
D. 281,348	11/1985	Sadashima	D22/137

D. 282,356	1/1986	Schwartz	D8/358
D. 289,372	4/1987	Nicholson	D8/359
4,796,827	1/1989	Munt et al.	242/96

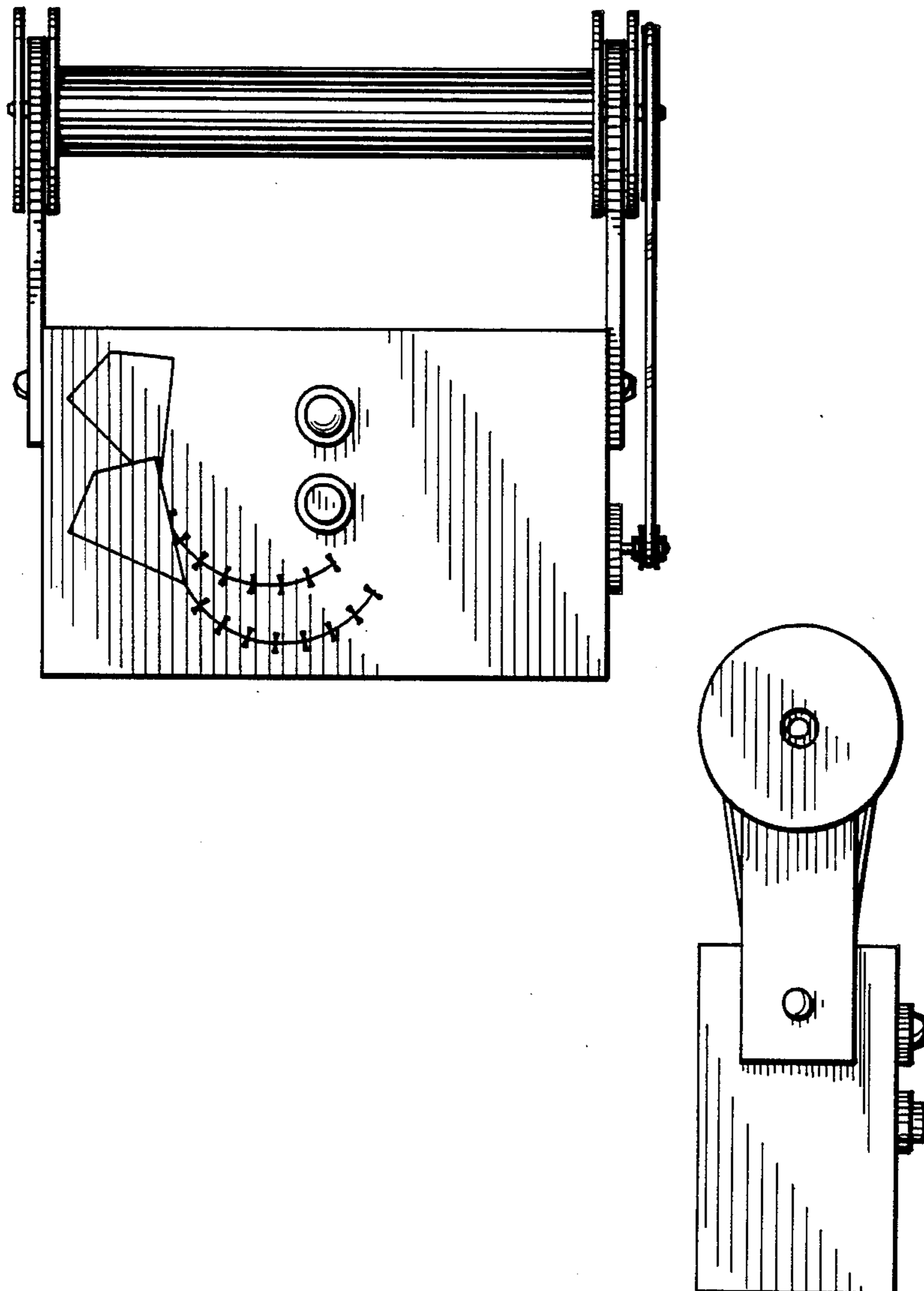
Primary Examiner—Horace B. Fay, Jr.
Attorney, Agent, or Firm—Jerry T. Kearns

[57] **CLAIM**

The ornamental design for a handheld electronic kite control, as shown and described.

DESCRIPTION

FIG. 1 is a front elevational view of a handheld electronic kite control showing my new design; FIG. 2 is a rear elevational view thereof; FIG. 3 is a left side elevational view thereof; FIG. 4 is a right side elevational view thereof; FIG. 5 is a top plan view thereof; and, FIG. 6 is a bottom plan view thereof; FIG. 7 is a left side, top and front perspective view thereof; and FIG. 8 is a right side, bottom and rear perspective view thereof.



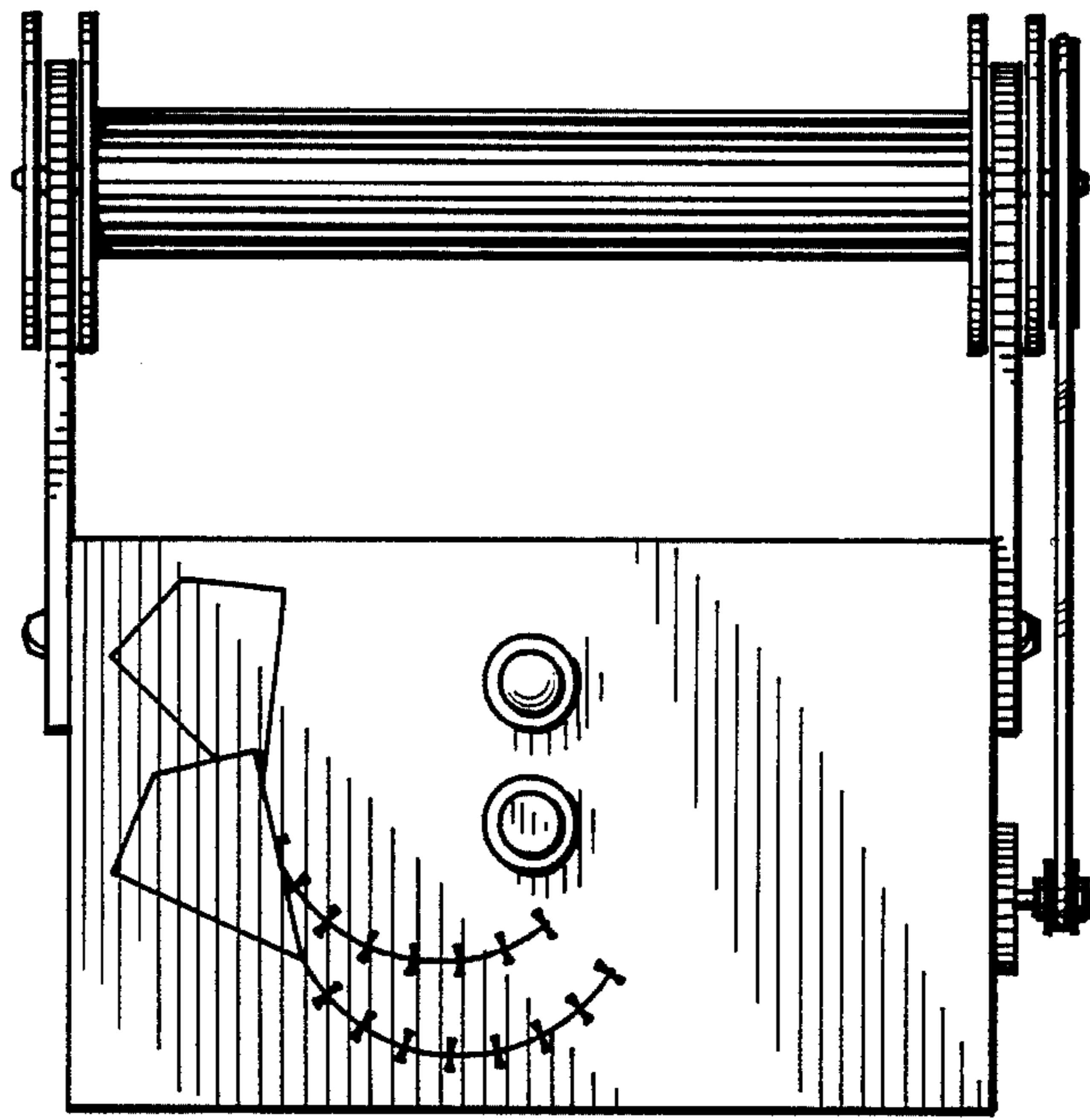


Fig. 1

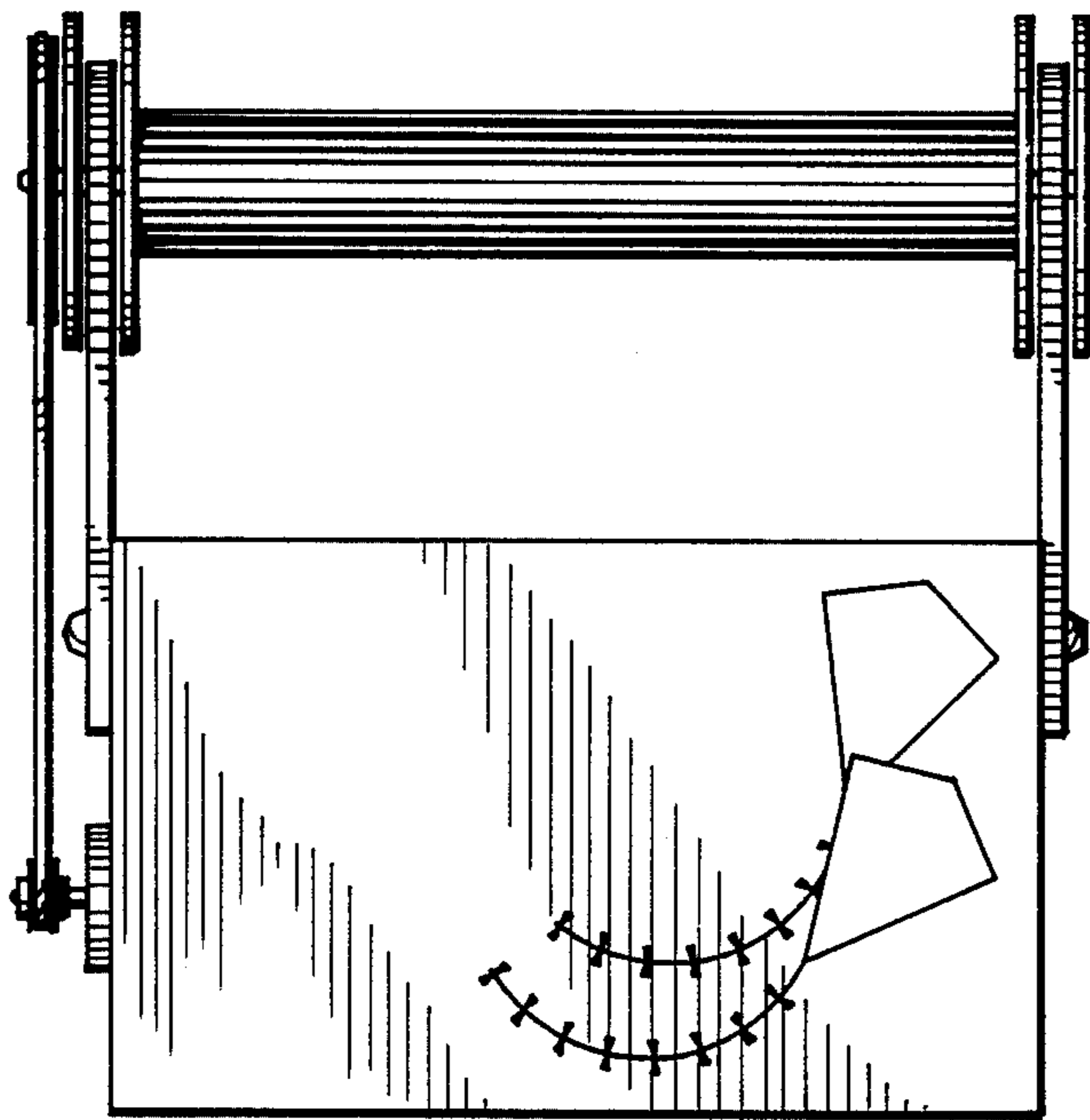


Fig. 2

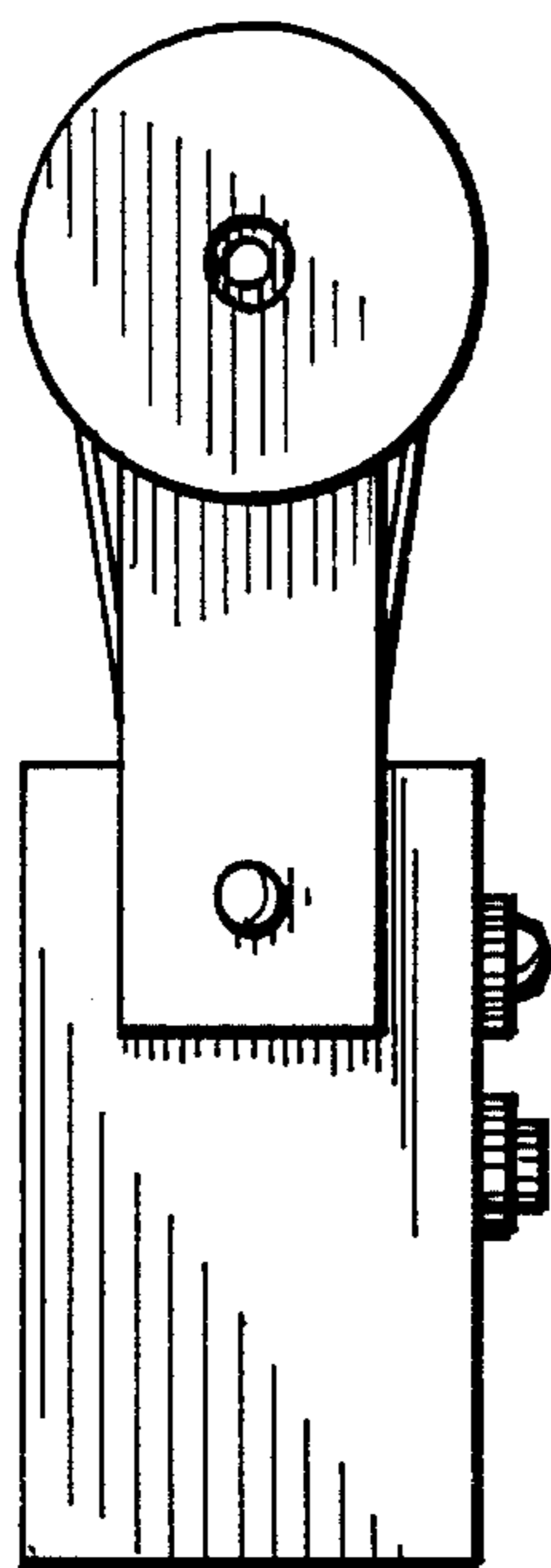


Fig. 3

Fig. 4

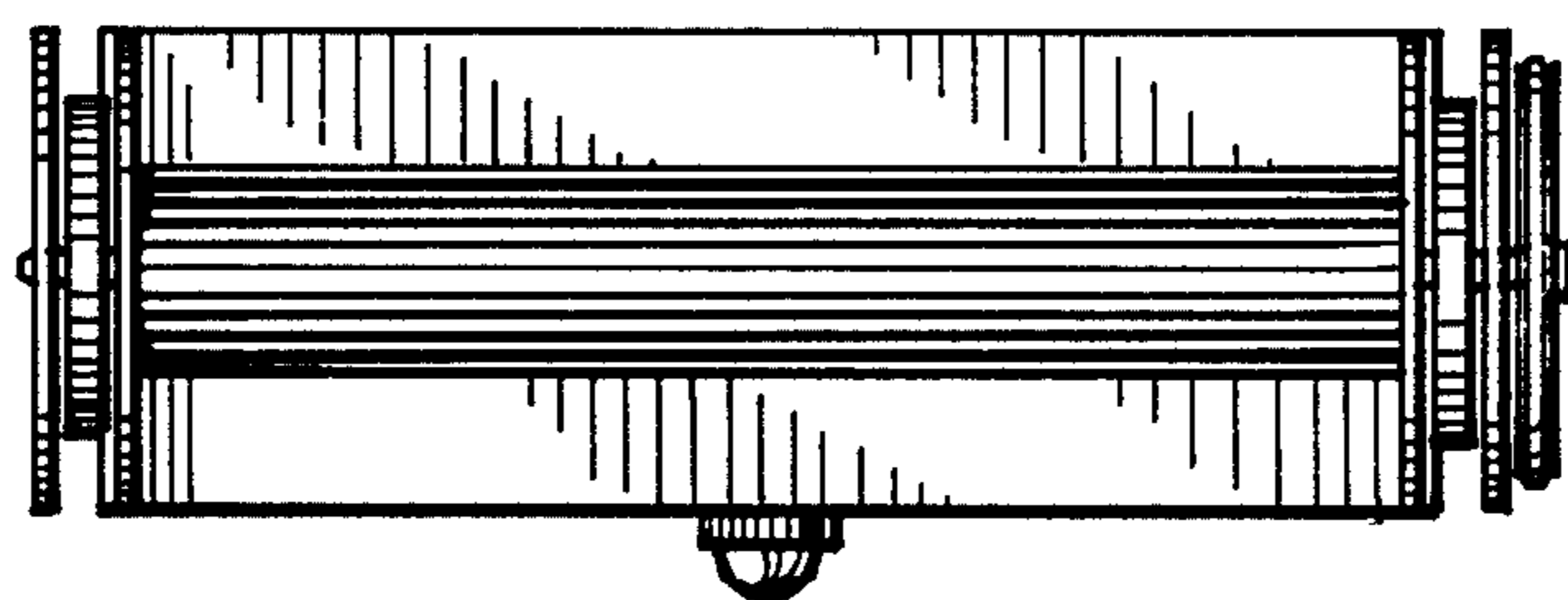
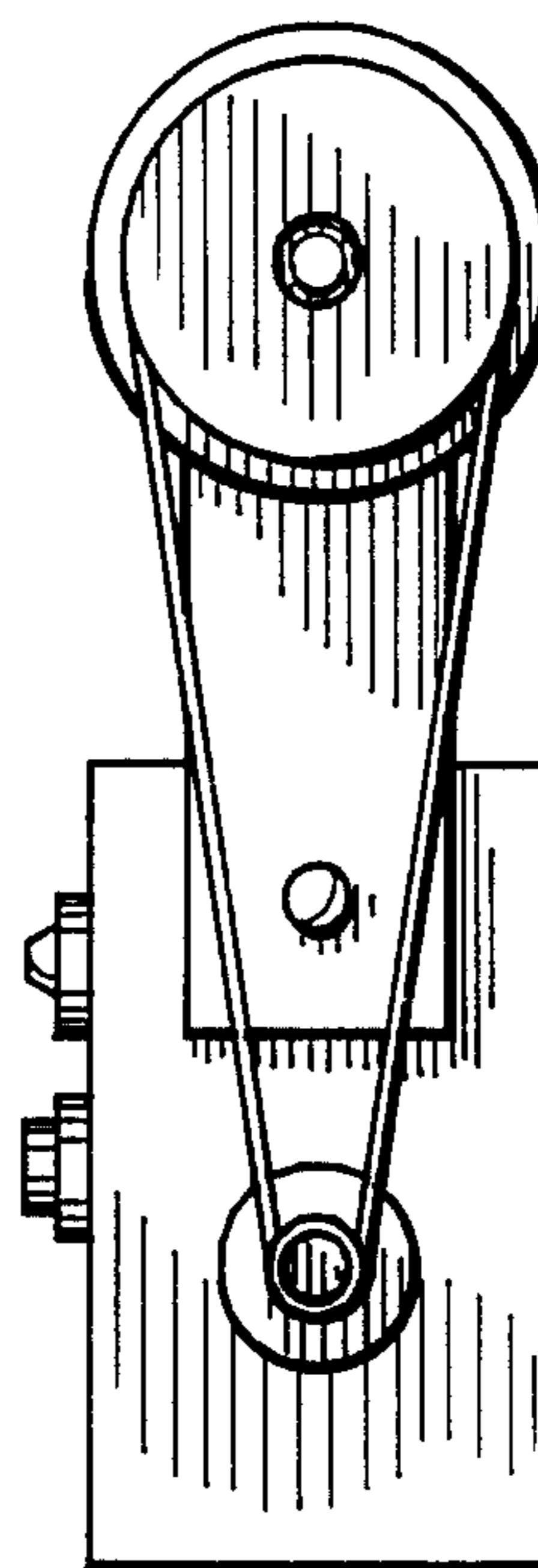


Fig. 5

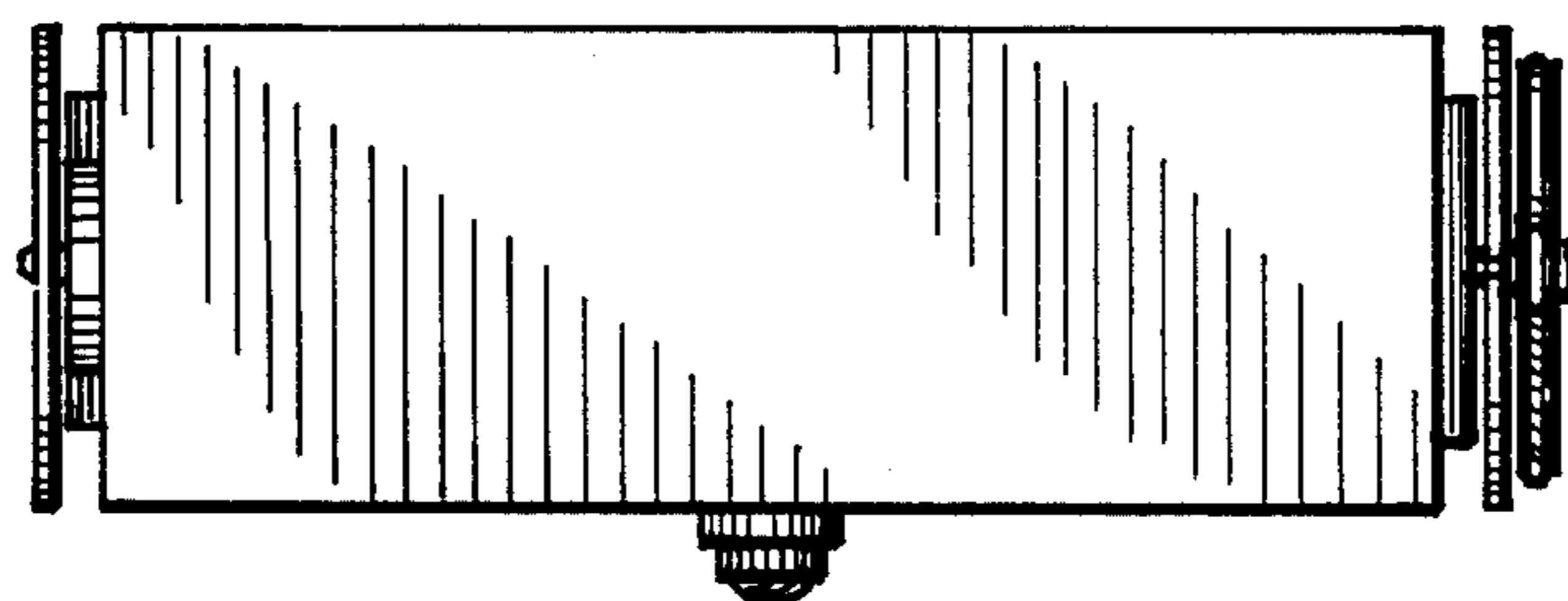


Fig. 6

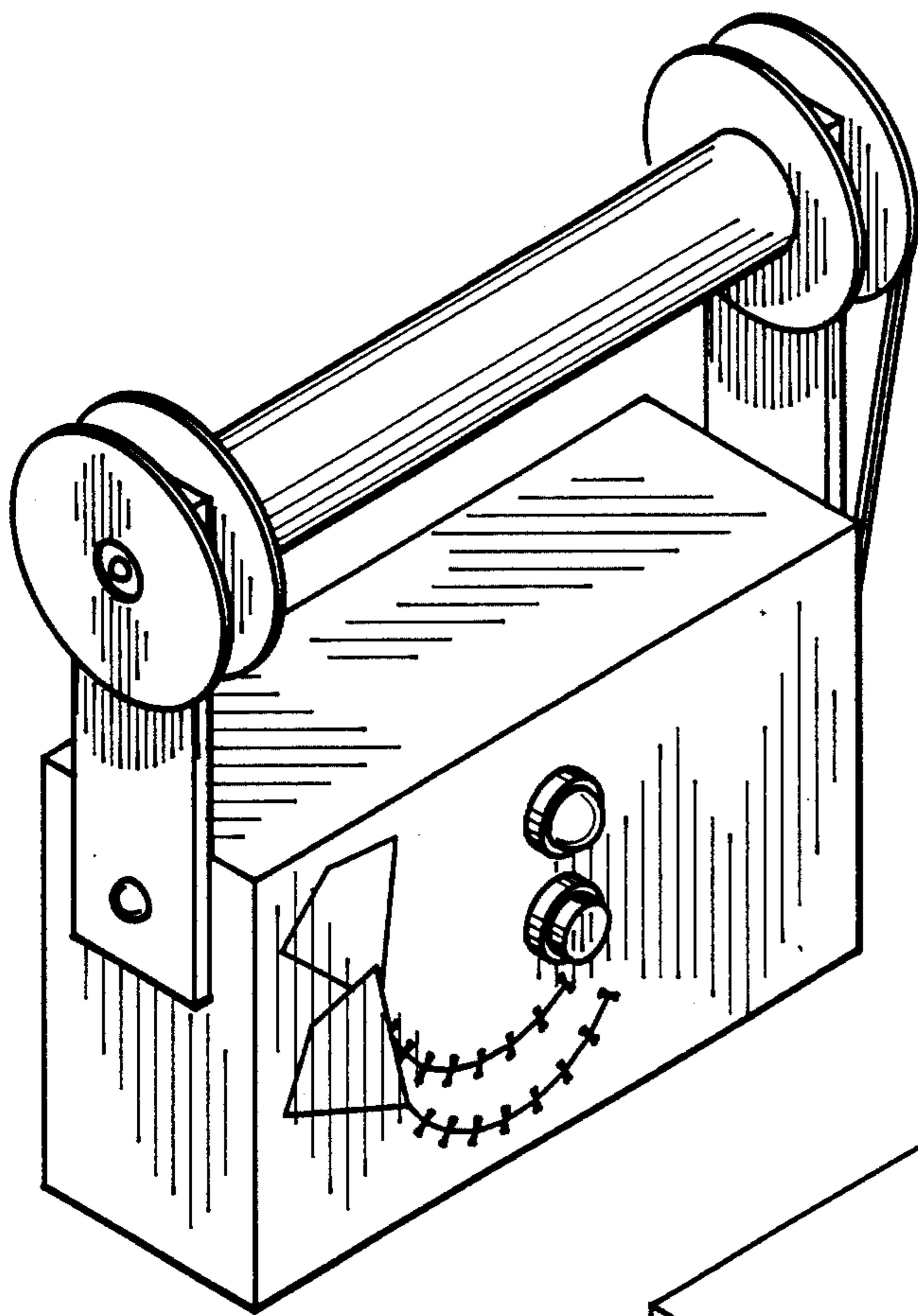


Fig. 7

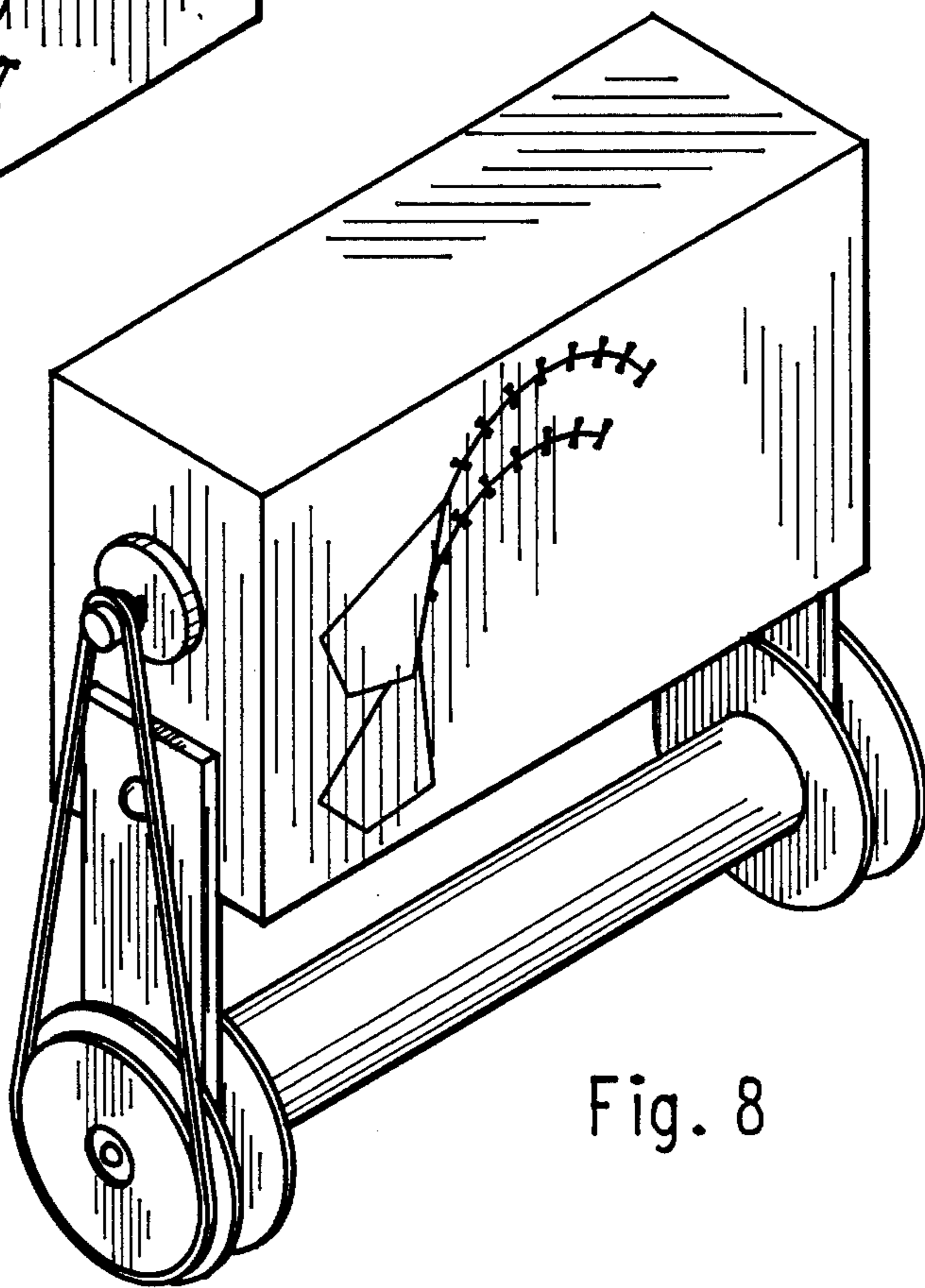


Fig. 8