

United States Patent [19]

Davidson

[11] Patent Number: Des. 309,855

[45] Date of Patent: ** Aug. 14, 1990

[54] **LAWN MOWER BLADE HOLDING TOOL**

[76] Inventor: **Leonard D. Davidson**, 301 East St., Farmersville, Ill. 62533

[**] Term: **14 Years**

[21] Appl. No.: **444,101**

[22] Filed: **Nov. 30, 1989**

[52] U.S. Cl. **D8/71**

[58] Field of Search **D8/71-73, D8/354, 366, 371; 81/487, 488; 76/82.1; 29/426.5, 240, 283, 281.1, 281; D25/122, 119**

[56] **References Cited**

U.S. PATENT DOCUMENTS

2,976,602	3/1961	Nelson	29/78
3,061,980	11/1962	Machovec	51/48
3,101,629	8/1963	Koelndorfer	76/82.1
3,574,268	4/1971	Buse	51/92
3,826,159	7/1974	Otto	76/82
4,564,991	1/1986	Taylor	29/426.5

4,736,544	4/1988	Greenquist	51/34
4,762,278	8/1988	Taylor	239/281
4,882,960	11/1989	Kugler	81/488

Primary Examiner—Winifred E. Herrmann

Assistant Examiner—John Warchol

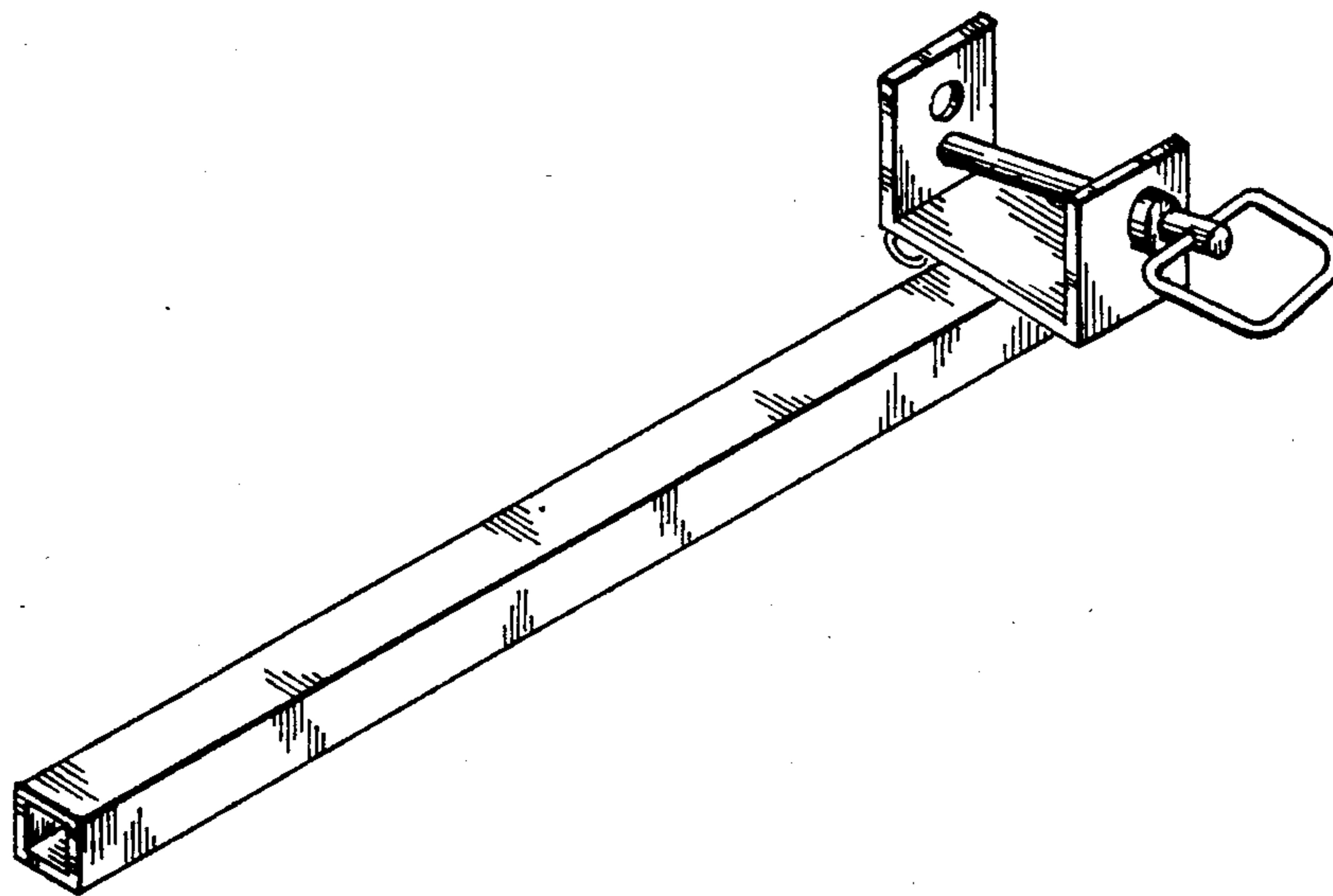
Attorney, Agent, or Firm—McCaleb, Lucas & Brugman

[57] **CLAIM**

The ornamental design for a lawn mower blade holding tool, as shown.

DESCRIPTION

FIG. 1 is a top plan view of a lawn mower blade holding tool showing my new design; FIG. 2 is a bottom plan view thereof; FIG. 3 is a right side elevational view thereof; FIG. 4 is a left side elevational view thereof; FIG. 5 is a rear elevational view thereof; FIG. 6 is a front elevational view thereof; and FIG. 7 is a top, front and right side perspective view thereof.



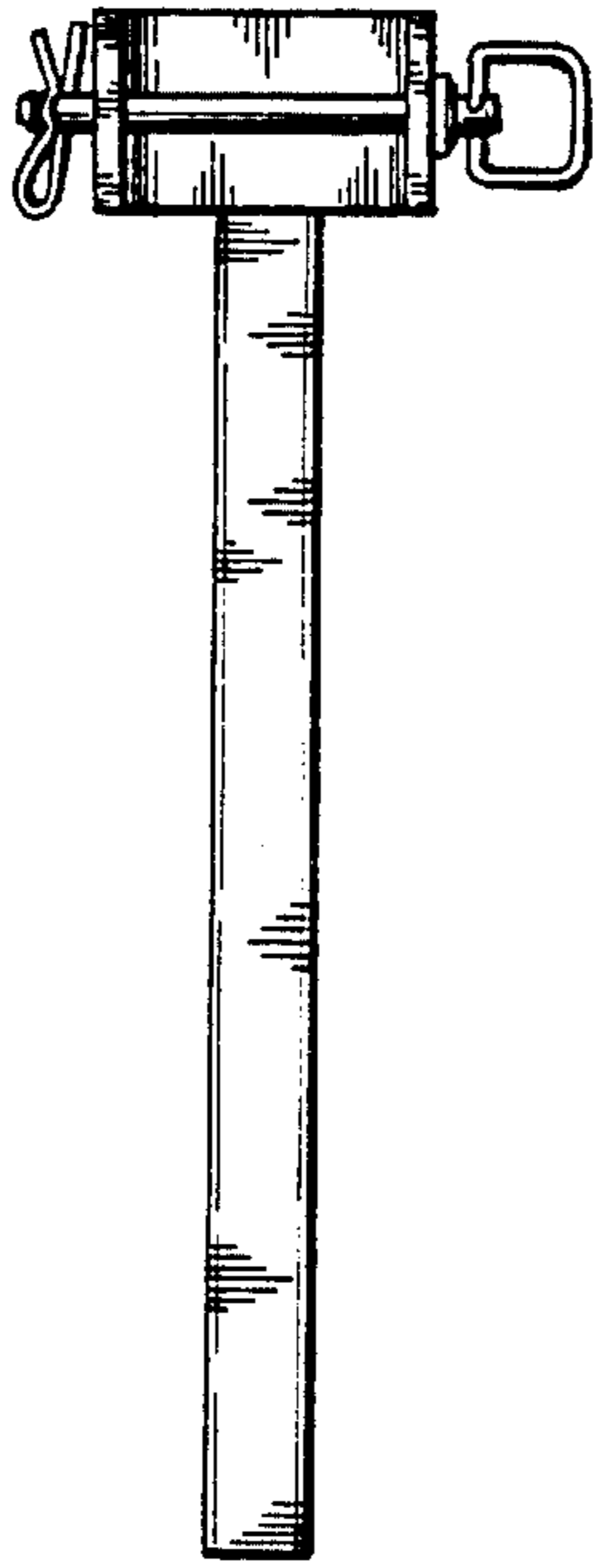


FIG. 1

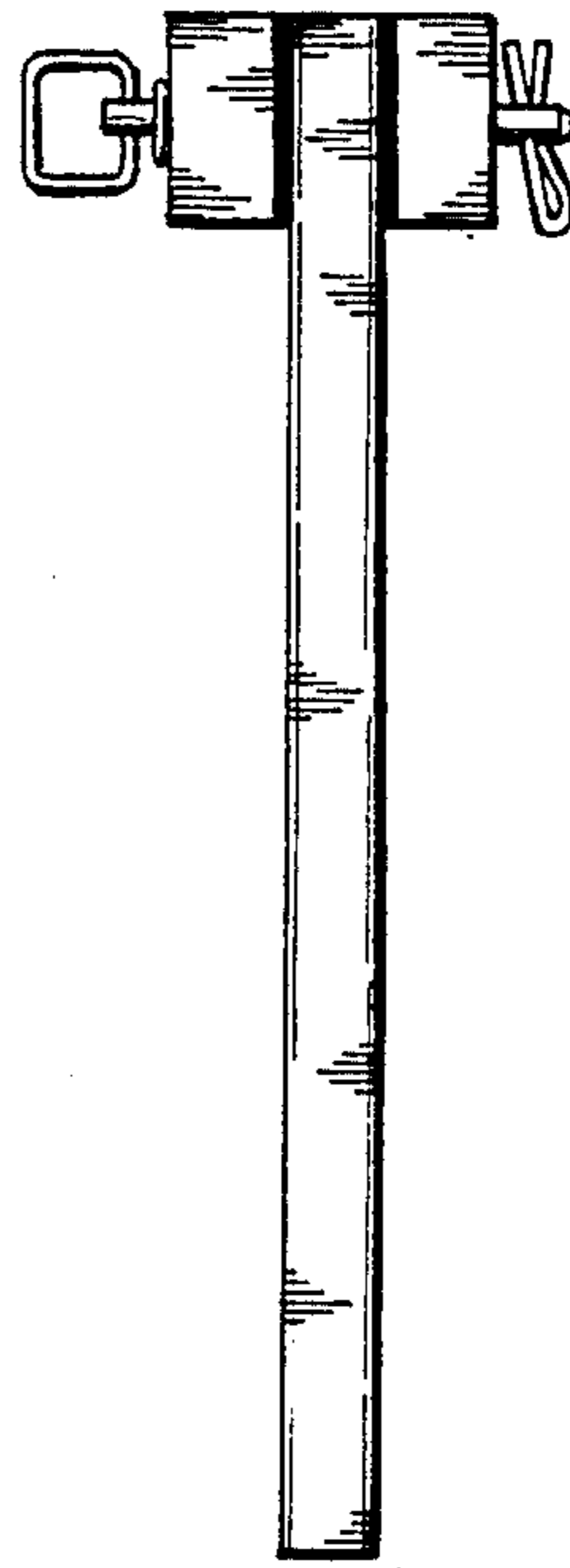


FIG. 2

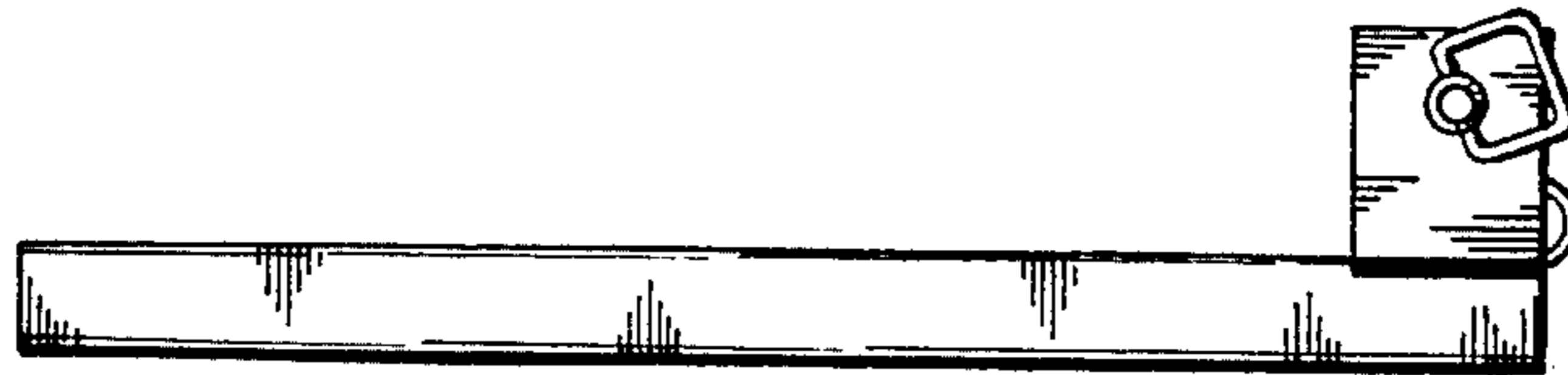


FIG. 3



FIG. 4

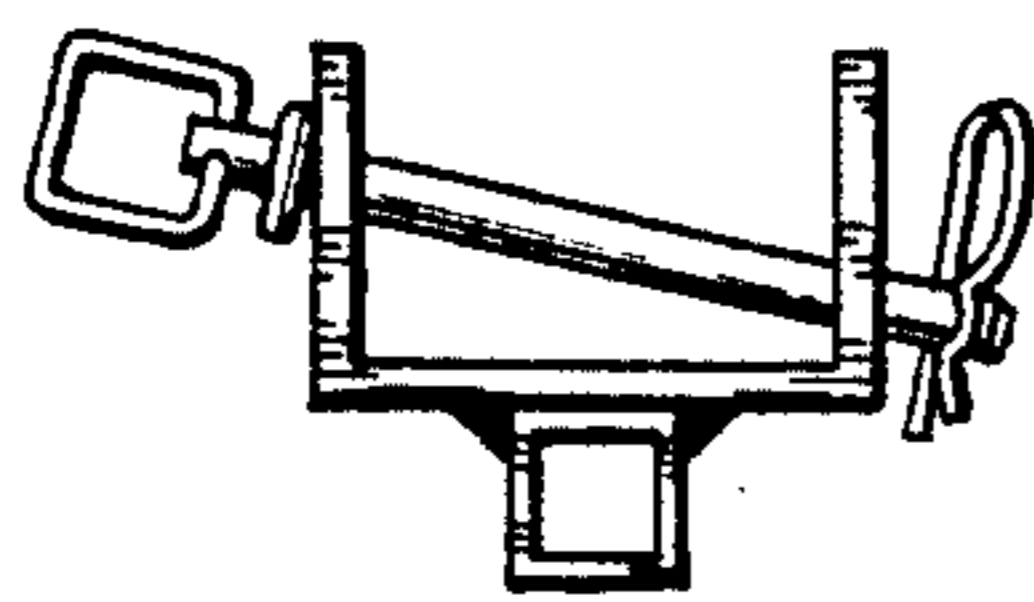


FIG. 5

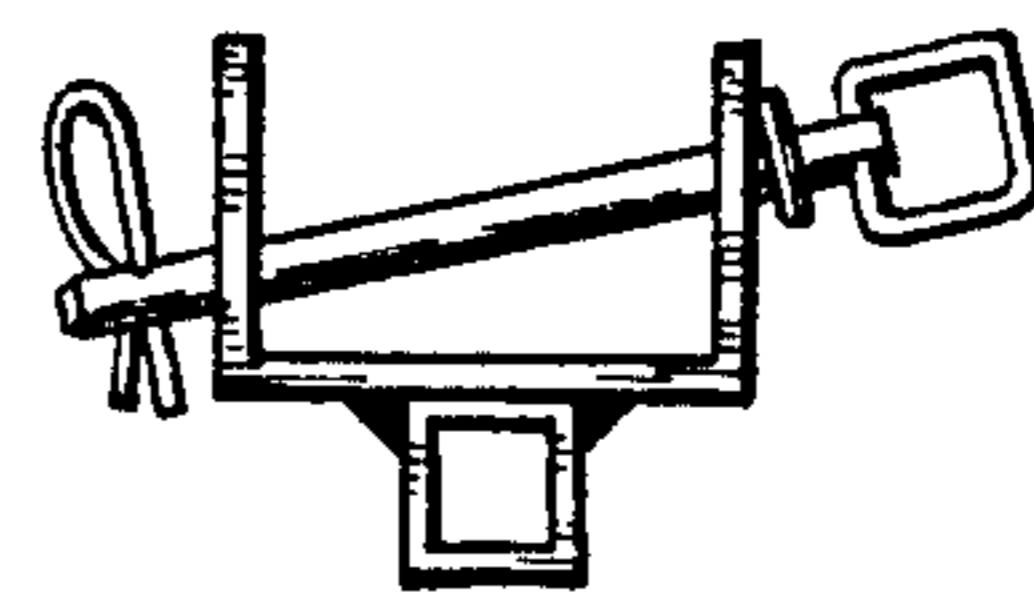


FIG. 6

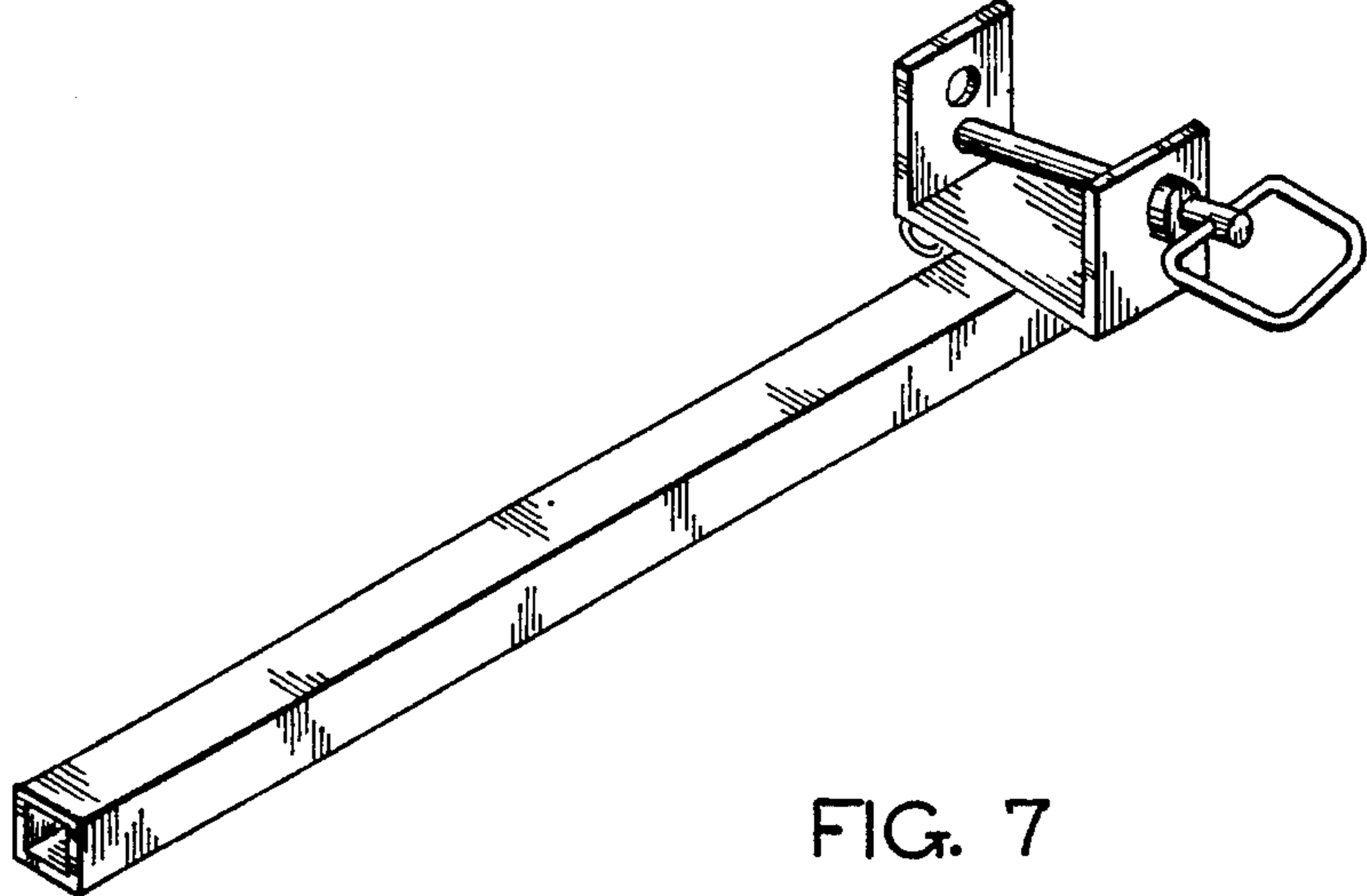


FIG. 7