

[54] **LOAD BINDER**
 [75] **Inventor: Lonnie M. Smith, St. Louis, Mo.**
 [73] **Assignee: Durbin-Durco, Inc., St. Louis, Mo.**
 [**] **Term: 14 Years**
 [21] **Appl. No.: 879,179**
 [22] **Filed: Jun. 26, 1986**
 [52] **U.S. Cl. D8/51; D8/44;
 D8/88**
 [58] **Field of Search D8/14, 51, 88, 89, 44;
 254/251-258; 24/68 CT**

3,988,005 10/1976 Mooney et al. 24/68 CT
 4,423,639 1/1984 Grade et al. 254/257
 4,500,073 2/1985 Smith 254/258
 4,512,062 4/1985 Crook, Jr. 24/68 CT

FOREIGN PATENT DOCUMENTS

741950 9/1966 Canada 24/68 CT

Primary Examiner—Bruce W. Dunkins
Assistant Examiner—Clare E. Heflin
Attorney, Agent, or Firm—Paul M. Denk

[57] **CLAIM**

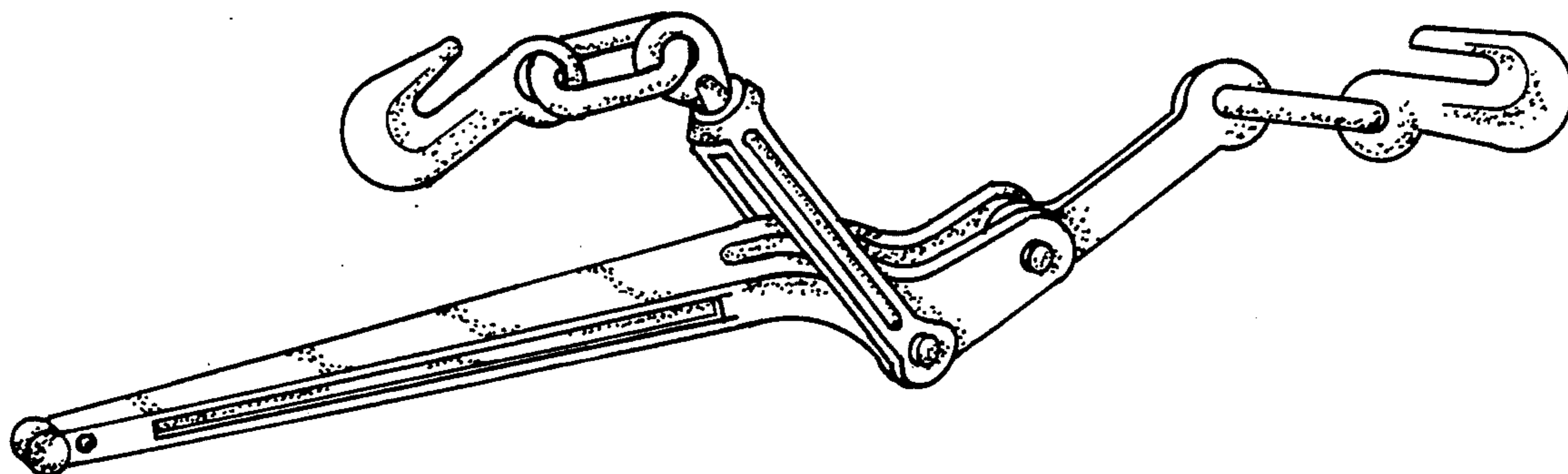
The ornamental design for the load binder, as shown and described.

[56] **References Cited**
U.S. PATENT DOCUMENTS

302,277 7/1884 Nickels 254/256
 812,649 2/1906 Greene 254/256
 1,911,194 5/1933 Jenkins et al. 24/68 CT
 2,247,642 7/1941 Neville 24/68 CT
 2,630,609 3/1953 Le Bus 24/68 CT
 3,179,373 4/1965 Cochran 254/258
 3,418,008 12/1968 Durbin 254/258

DESCRIPTION

FIG. 1 is an isometric view of the load binder of this invention;
 FIG. 2 is a top view thereof;
 FIG. 3 is a right side view, the left side view being a mirror image thereof;
 FIG. 4 is a bottom view thereof;
 FIG. 5 is a front view thereof; and
 FIG. 6 is a back view of the invention.



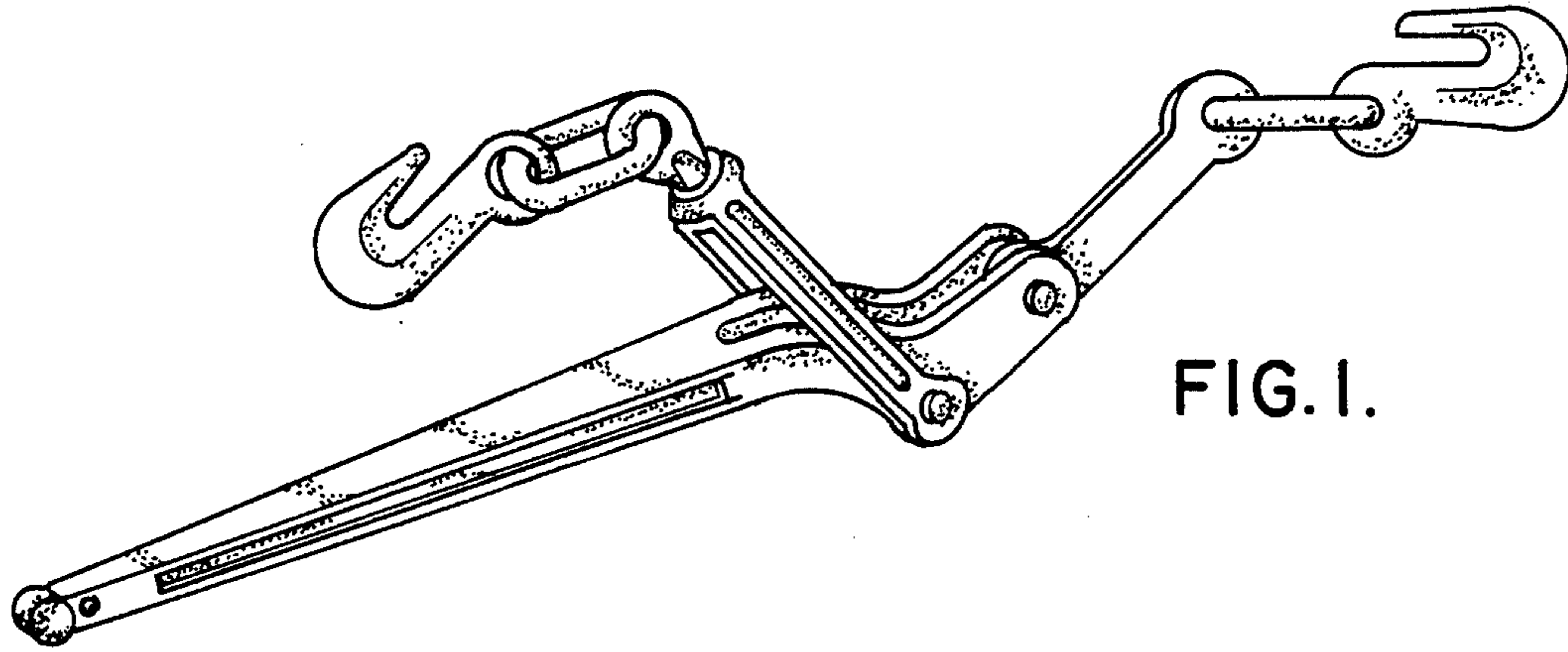


FIG. 1.

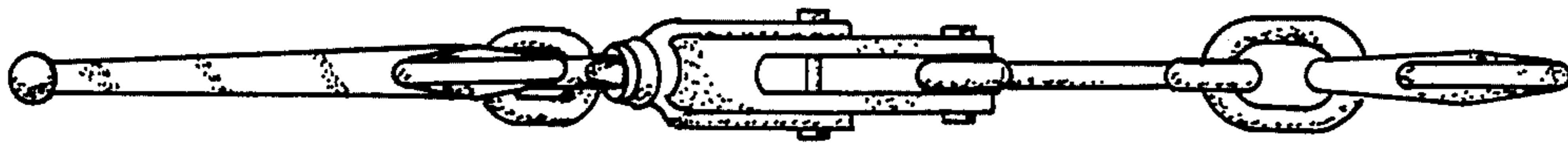


FIG. 2.

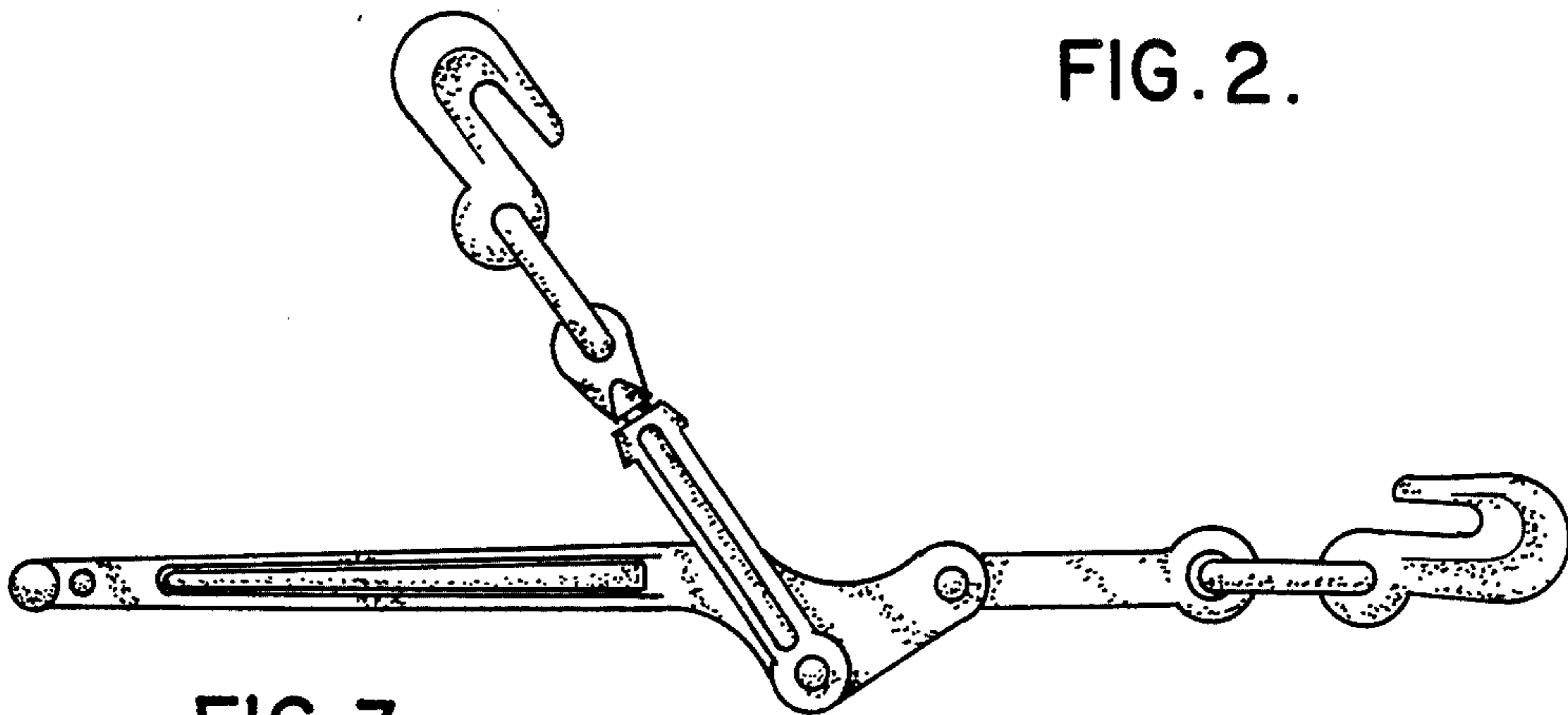


FIG. 3.

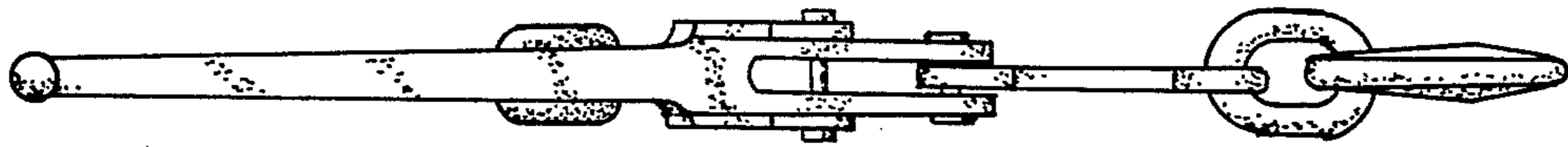


FIG. 4.



FIG. 5.

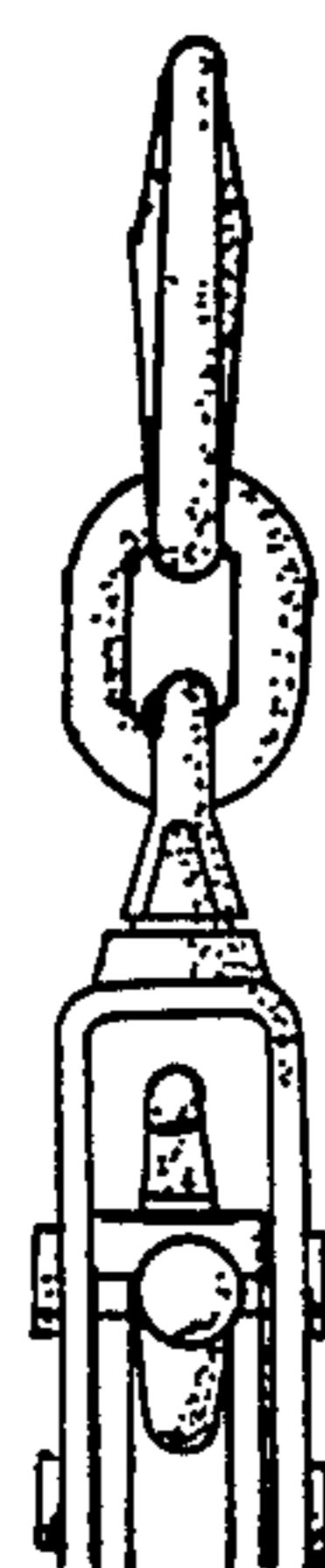


FIG. 6.