

United States Patent [19]
Moore

[11] **Patent Number: Des. 309,851**
[45] **Date of Patent: ** Aug. 14, 1990**

[54] **COMBINED LUNCH BOX AND VACUUM BOTTLE**

2,645,392 7/1953 Gottsegen et al. 224/42.01
2,707,550 5/1955 Coney 206/544
3,744,622 7/1973 Weaver 206/4

[76] **Inventor: Arnold F. Moore, P.O. Box 157, Salisbury Center, N.Y. 13454**

Primary Examiner—Bernard Ansher
Assistant Examiner—Terry A. Pfeffer

[**] **Term: 14 Years**

[57] **CLAIM**

[21] **Appl. No.: 278,305**

The ornamental design for a combined lunch box and vacuum bottle, as shown and described.

[22] **Filed: Nov. 29, 1988**

DESCRIPTION

[52] **U.S. Cl. D7/626; D7/605**

[58] **Field of Search D7/76, 77; 206/541, 206/543-544, 547; 62/457.1, 457.7, 457.8**

FIG. 1 is a perspective view of a combined lunch box and vacuum bottle carrier showing my new design; FIG. 2 is a top plan view thereof; FIG. 3 is a bottom plan view thereof; FIG. 4 is a side elevational view thereof; FIG. 5 is a front elevational view thereof; and FIG. 6 is a rear elevational view thereof.

[56] **References Cited**

U.S. PATENT DOCUMENTS

D. 236,315 8/1975 Russo D7/76

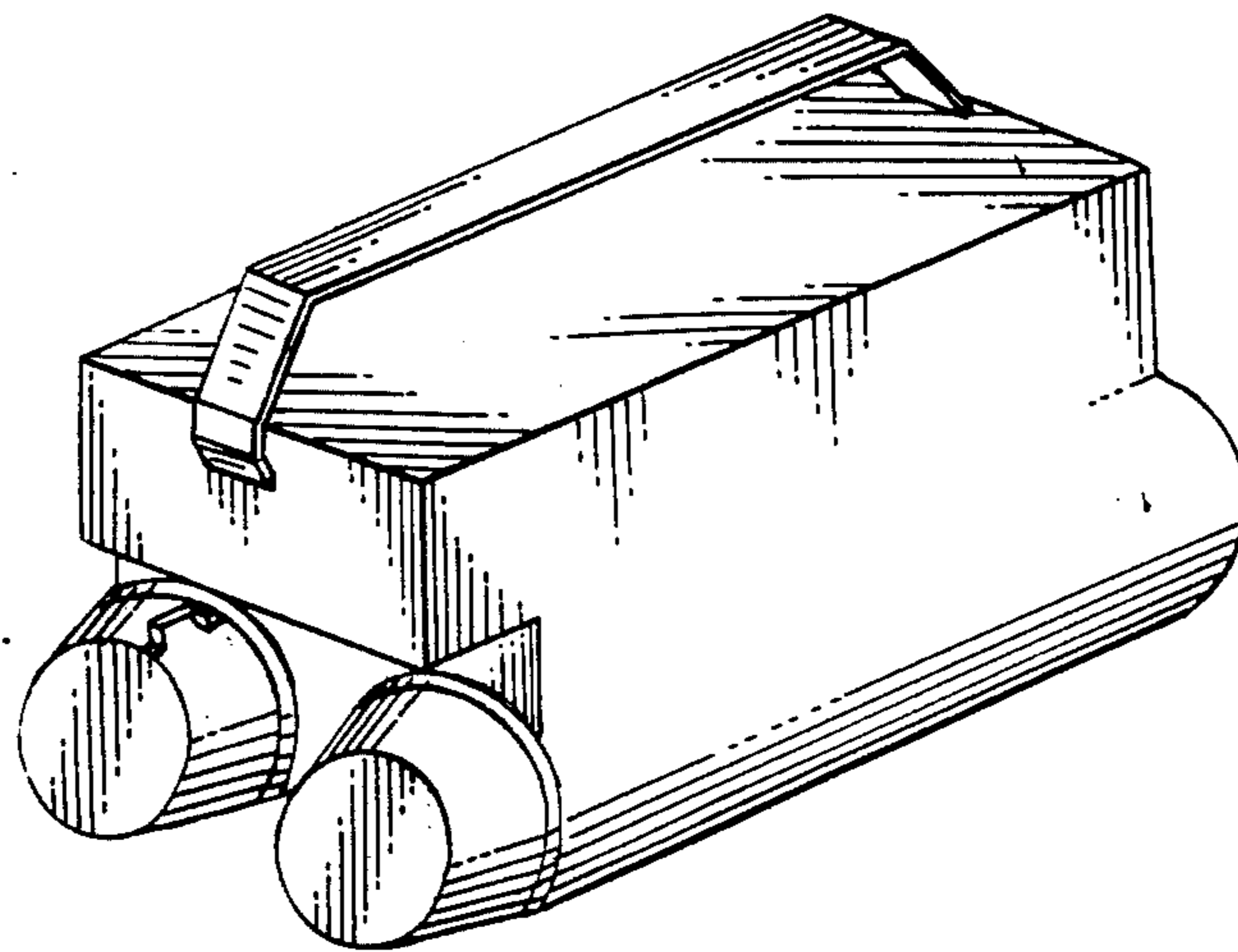


FIG. 1.

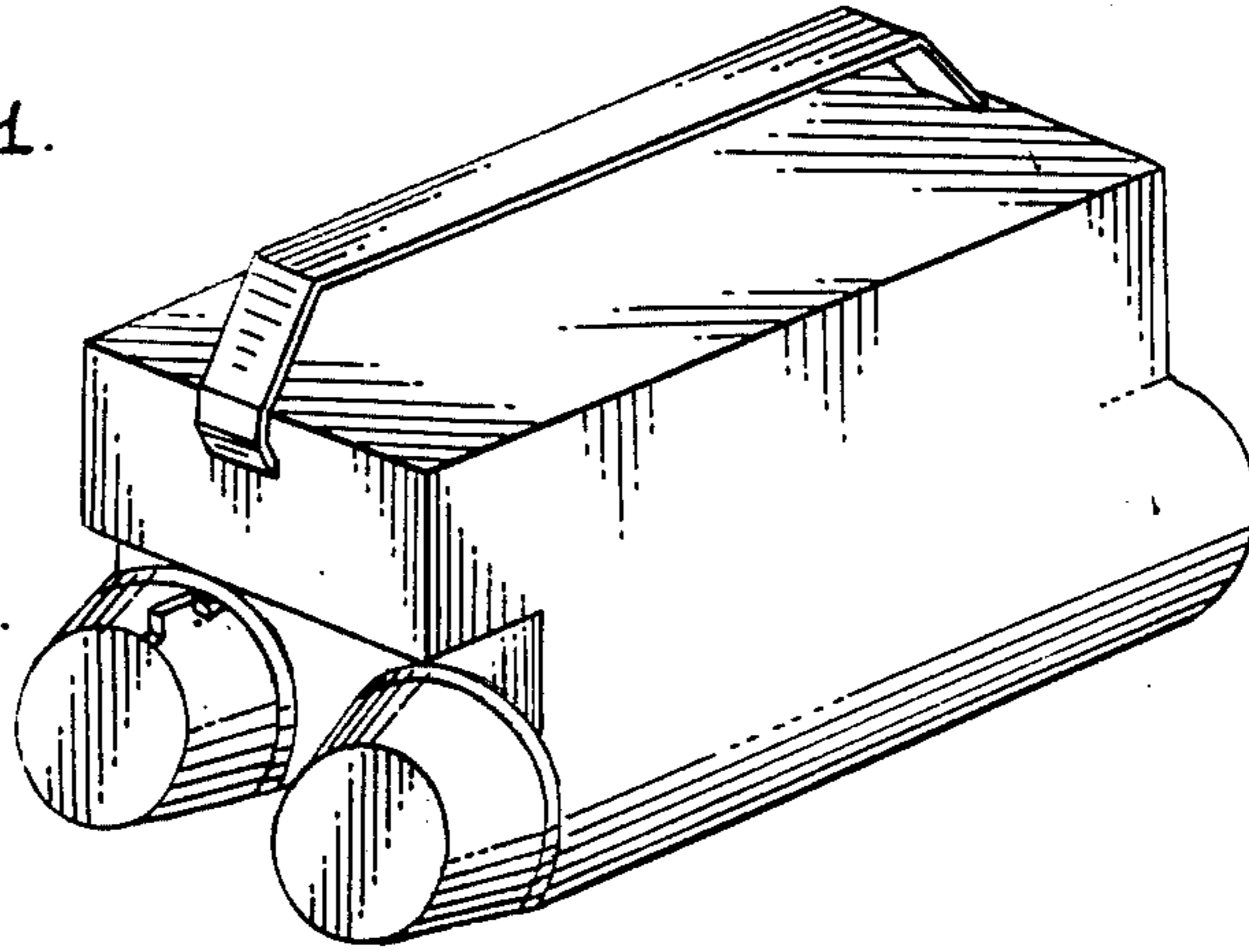


FIG. 2.

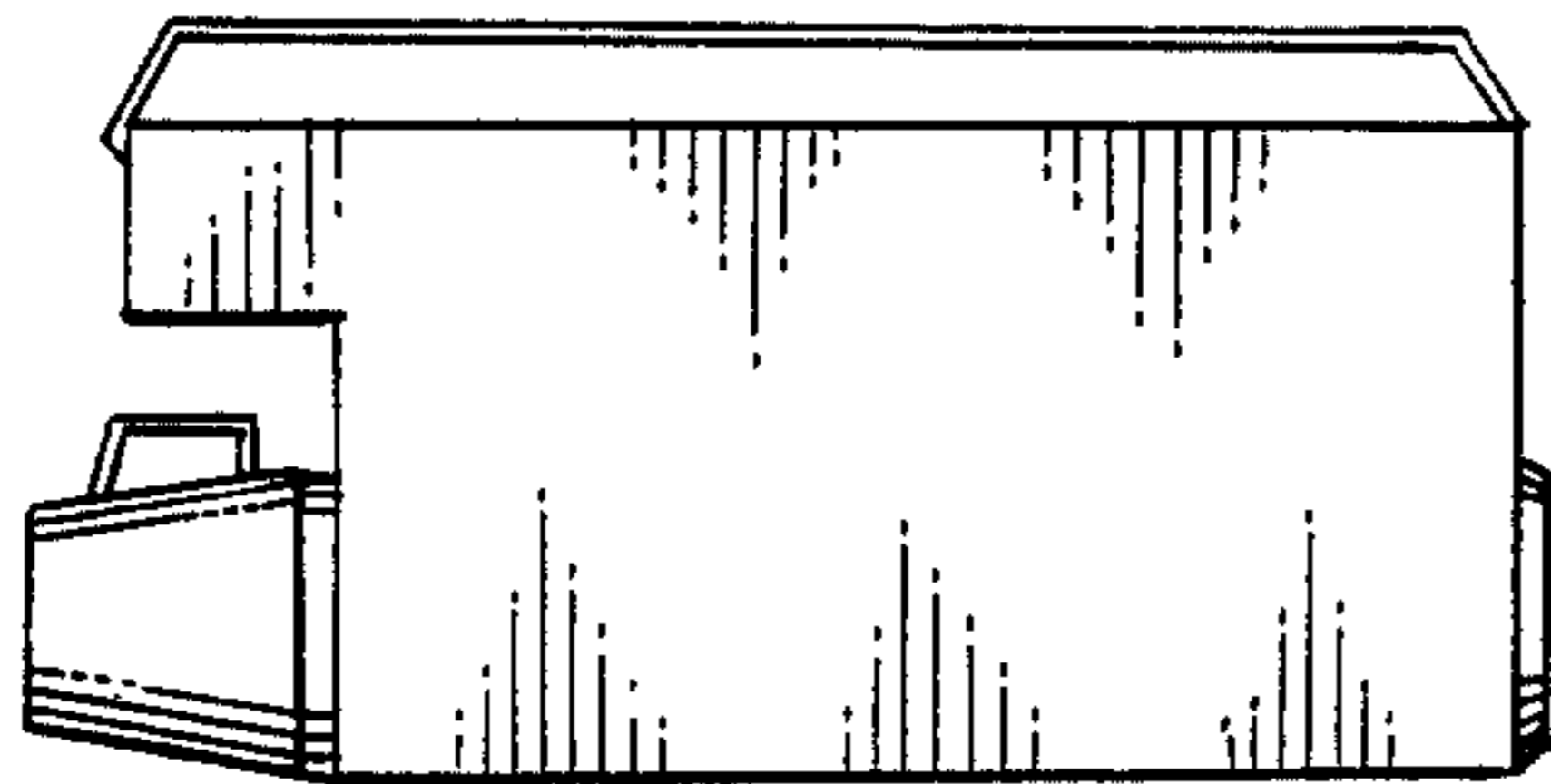
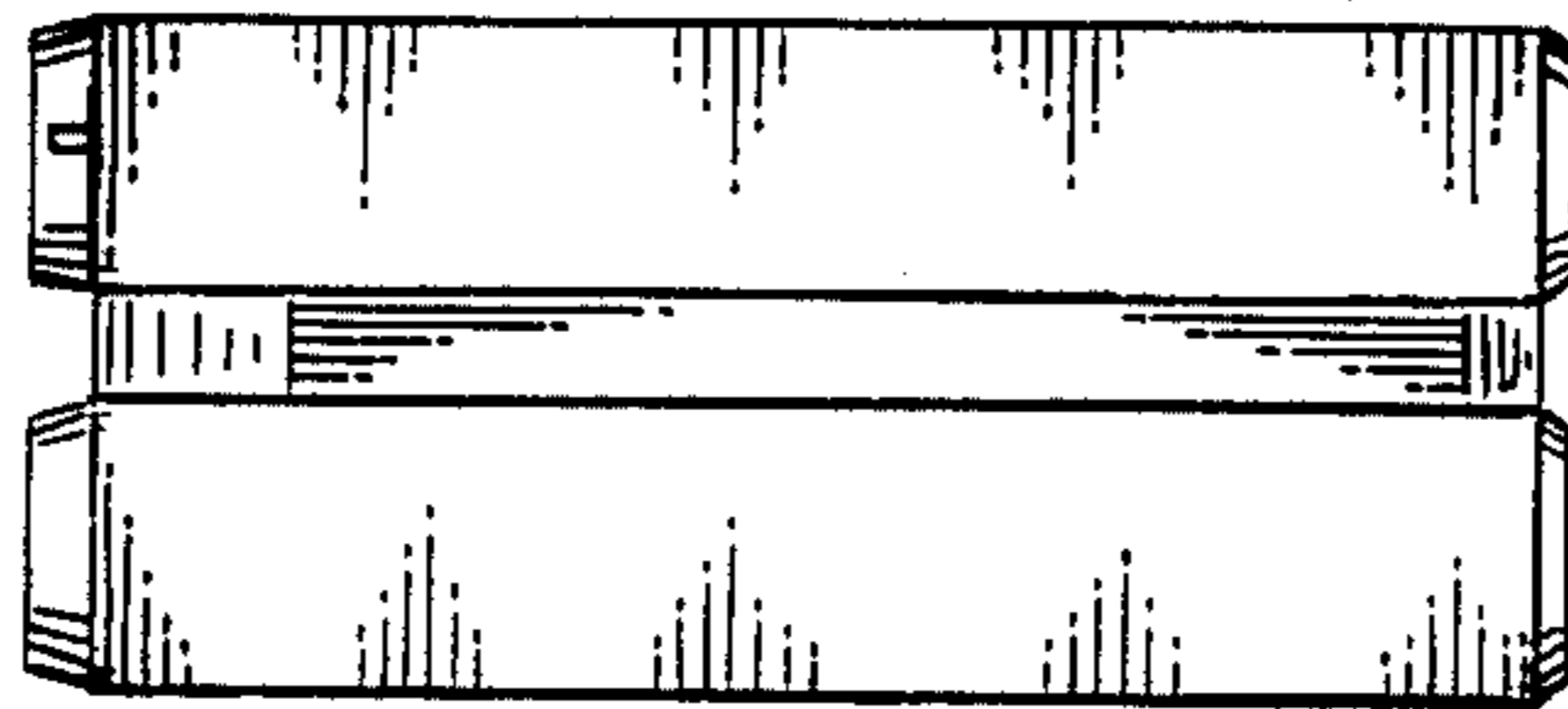


FIG. 4.

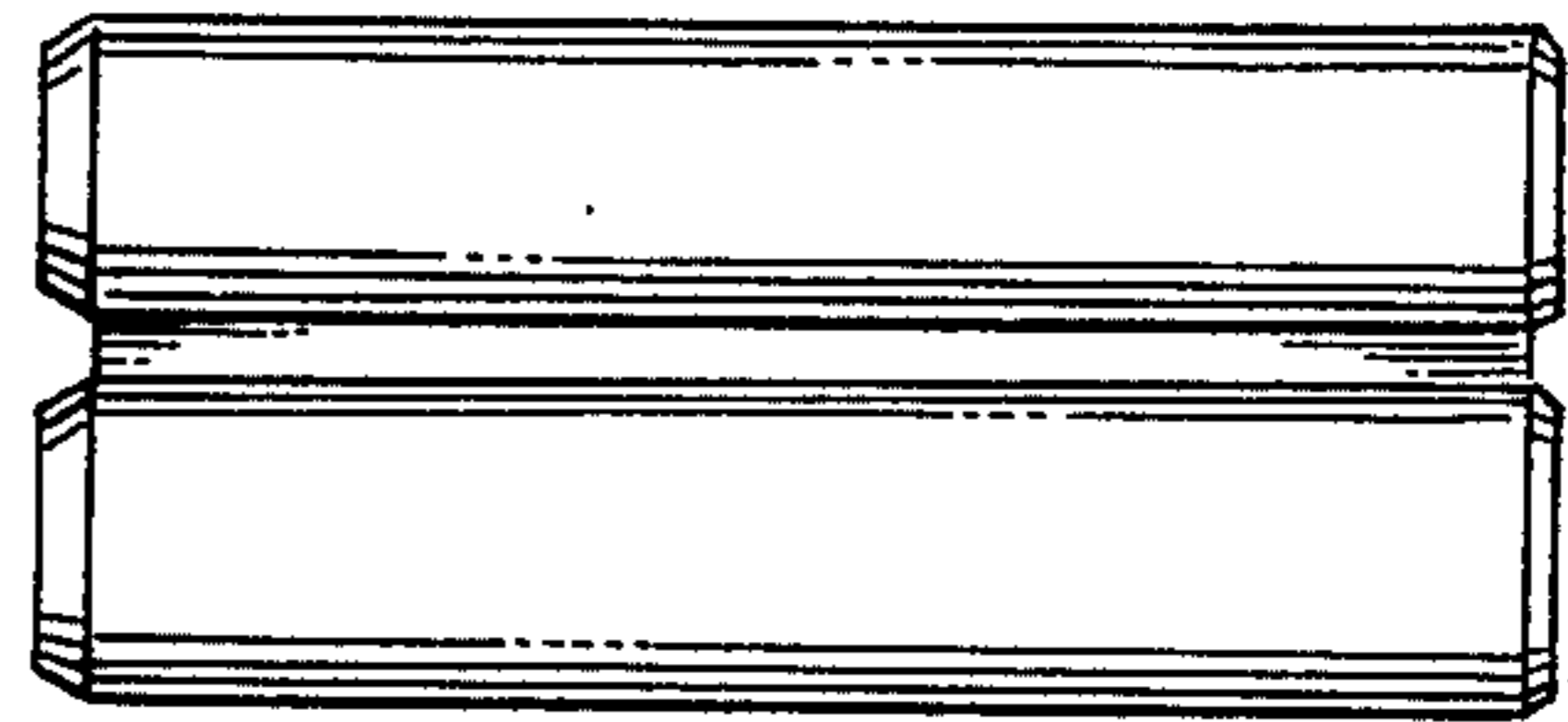


FIG. 3.

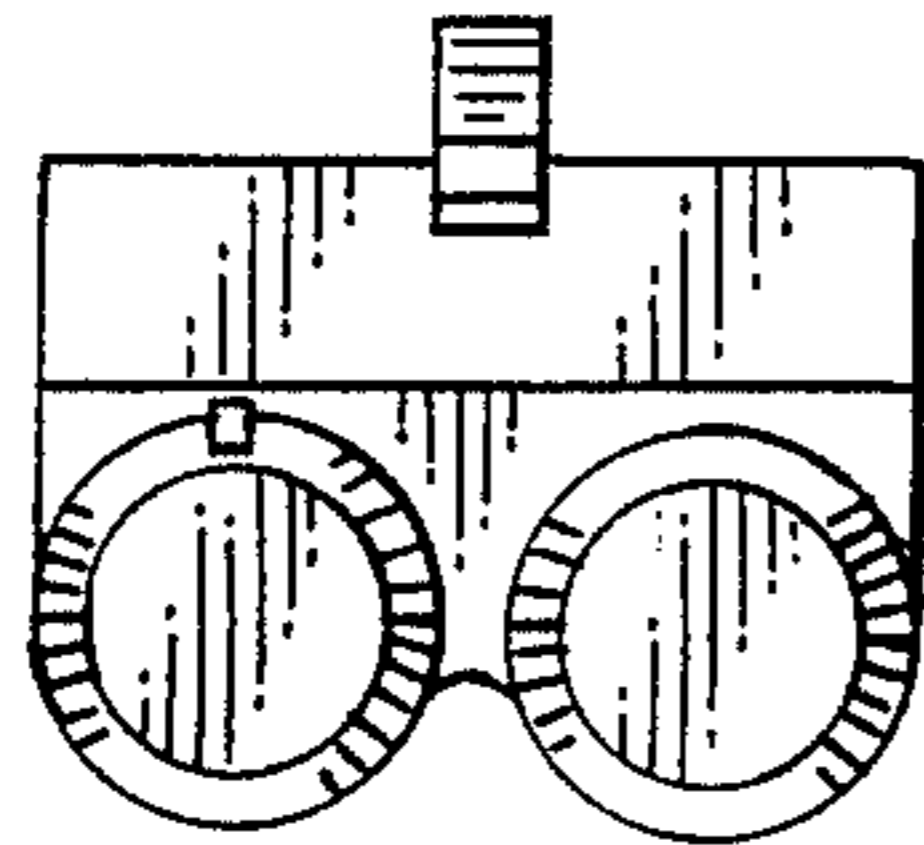


FIG. 5.

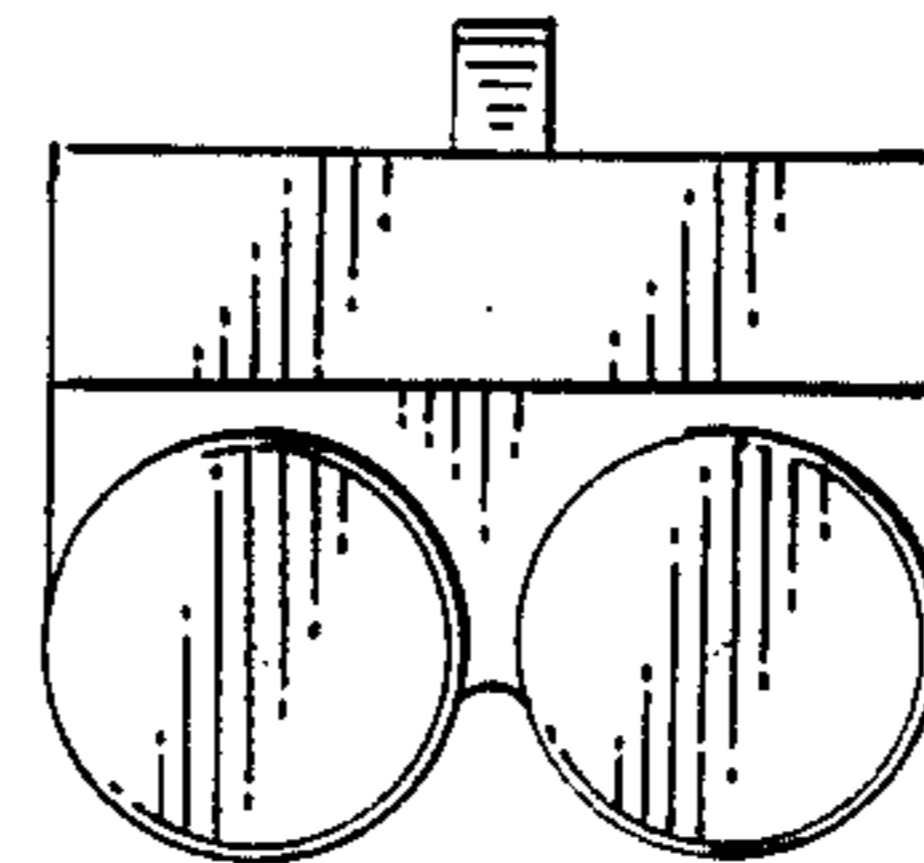


FIG. 6.