

[54] SERVING TRAY OR SIMILAR ARTICLE

[75] Inventor: Ambrogio Pozzi, Gallarate, Italy

[73] Assignee: Fratelli Guzzini S.p.A., Recanati, Italy

[\*\*] Term: 14 Years

[21] Appl. No.: 109,422

[22] Filed: Oct. 16, 1987

[30] Foreign Application Priority Data

Apr. 27, 1987 [IT] Italy ..... 21464/87[U]

[52] U.S. Cl. .... D7/587; D7/543

[58] Field of Search ..... D7/587, 554, 550, 553; D9/425, 426

[56] References Cited

U.S. PATENT DOCUMENTS

- D. 251,652 4/1979 Molloy ..... D7/554
- D. 257,108 9/1980 Daenen ..... D7/587

- D. 284,058 6/1986 Kahn et al. .... D7/587
- 2,495,132 1/1950 Remco ..... D7/554 X

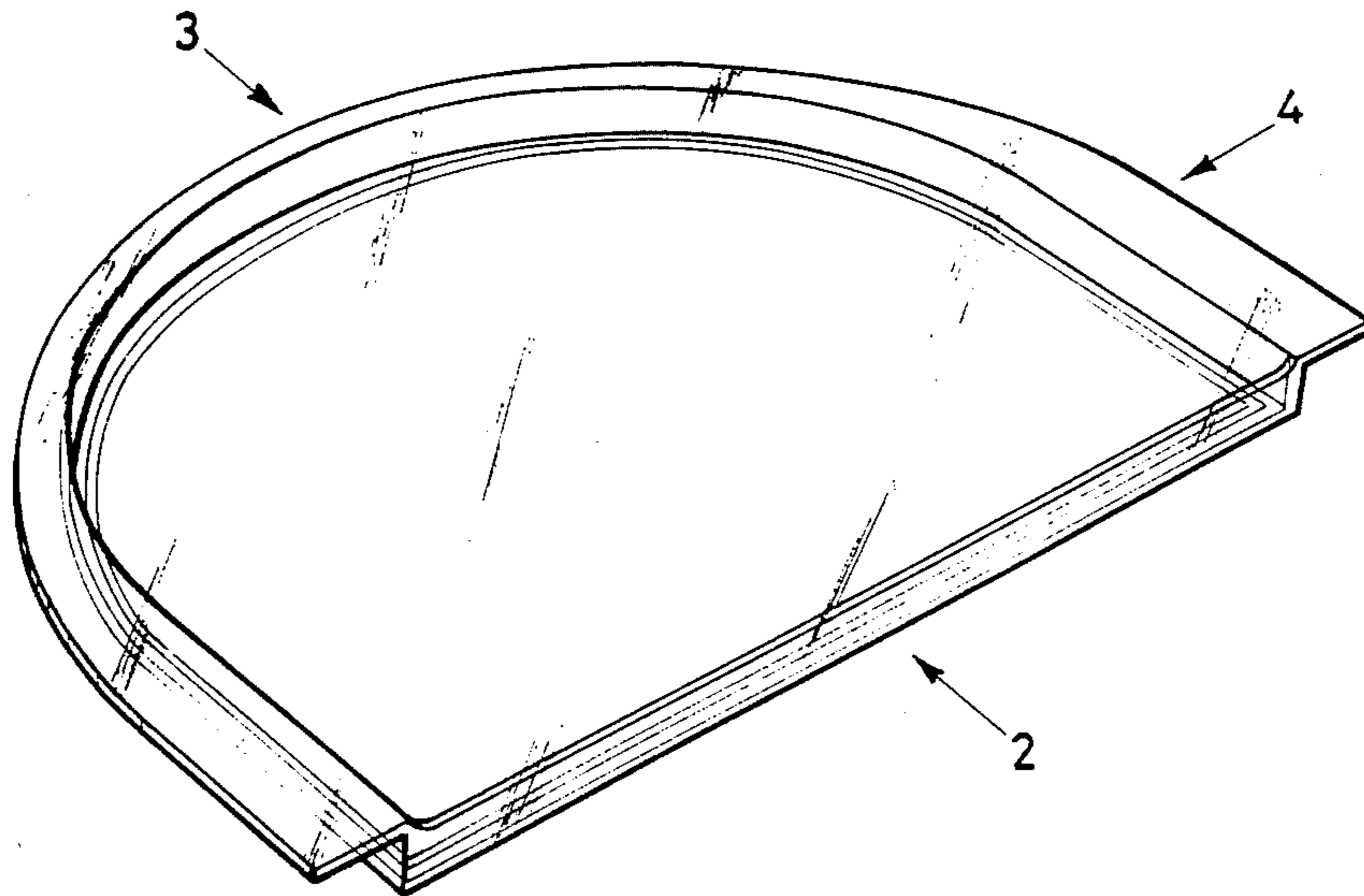
Primary Examiner—Winifred E. Herrmann  
Attorney, Agent, or Firm—Hedman, Gibson, Costigan & Hoare

[57] CLAIM

The ornamental design for a serving tray or similar article, as shown and described.

DESCRIPTION

FIG. 1 is a top perspective view of a serving tray or similar article, showing my new design;  
 FIG. 2 is a side elevational view thereof taken in the direction of arrow 2 on FIG. 1;  
 FIG. 3 is another side elevational view thereof taken in the direction of arrow 3 on FIG. 1;  
 FIG. 4 is a further side elevational view thereof taken in the direction of arrow 4 on FIG. 1;  
 FIG. 5 is a top plan view thereof; and  
 FIG. 6 is a bottom plan view thereof.



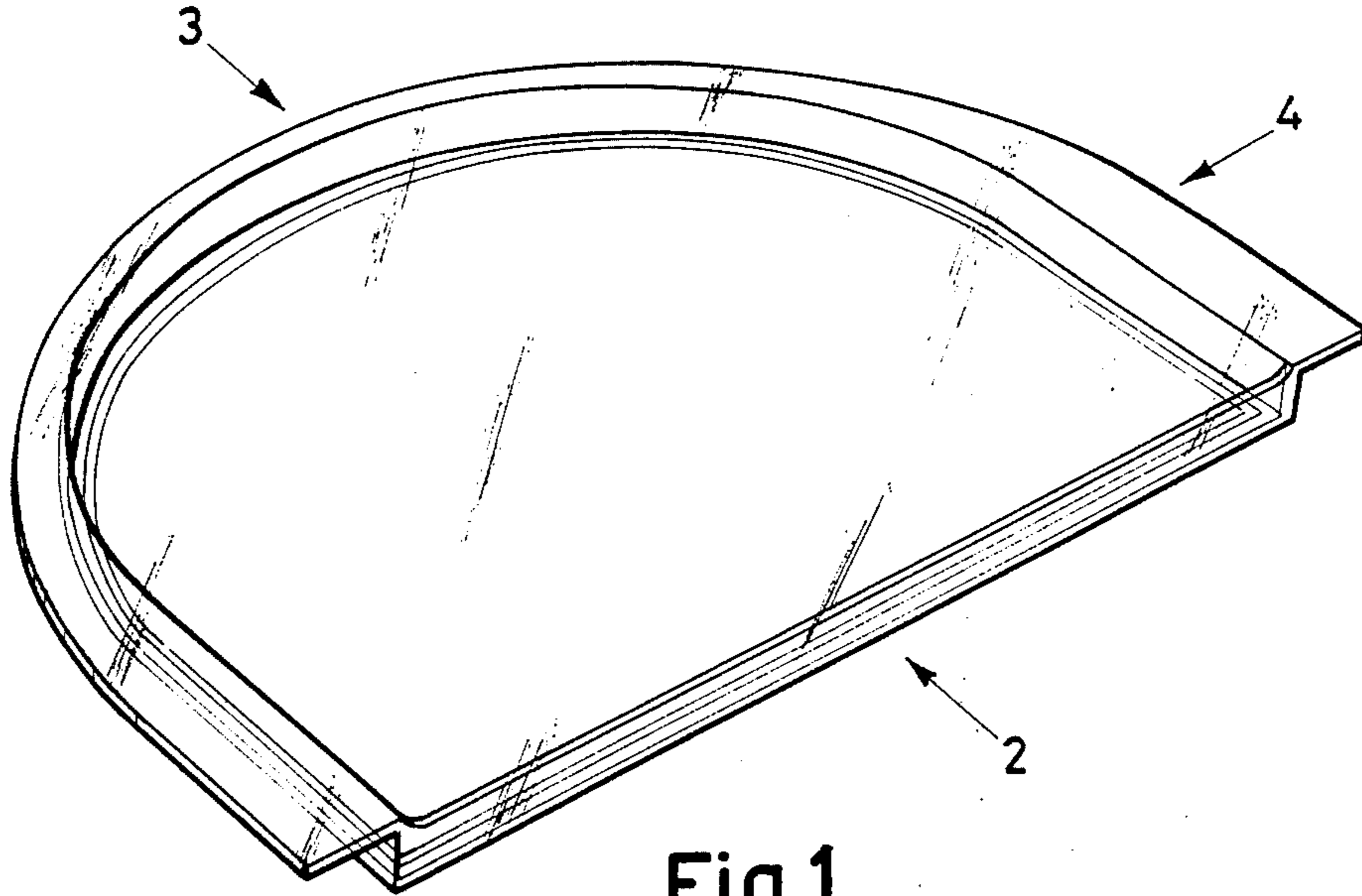


Fig. 1

Fig. 2

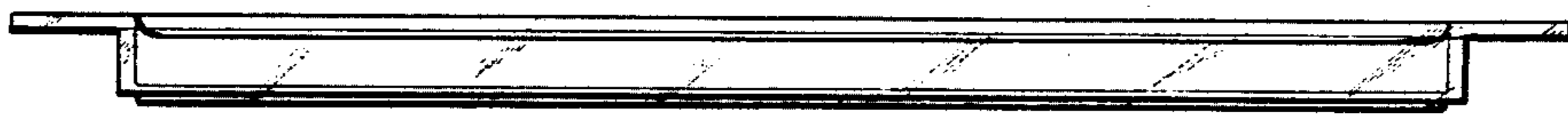


Fig. 3

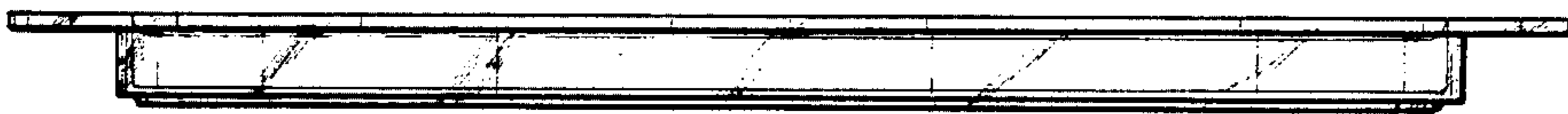


Fig. 4

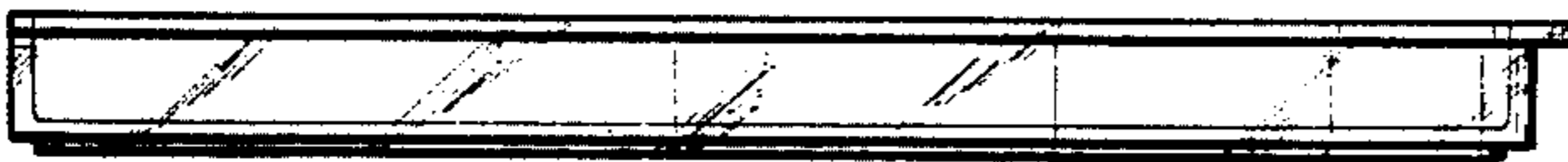


Fig.5

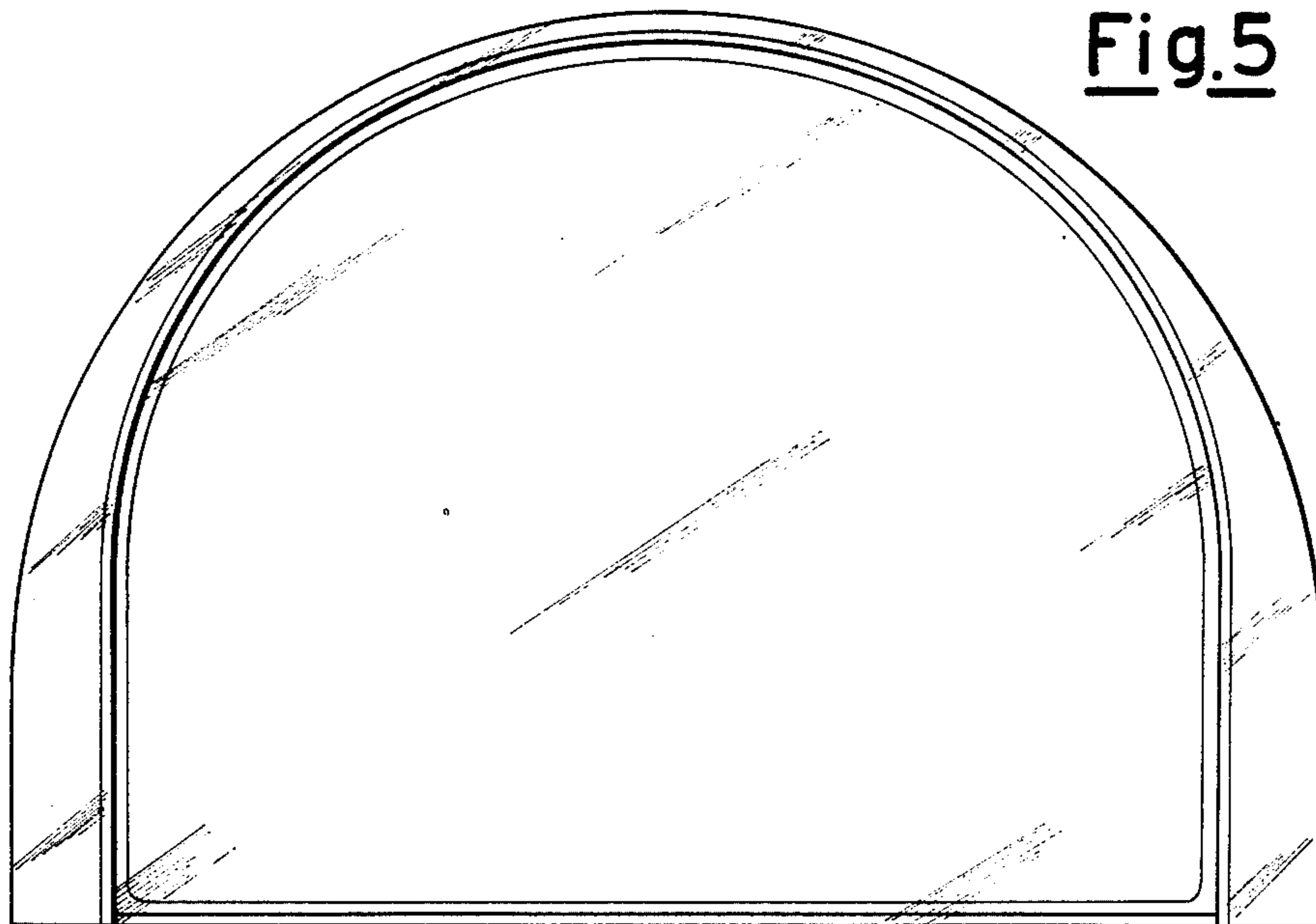


Fig.6

