

[54] **EGG CUP WITH A SPOON**

[75] **Inventor: Ambrogio Pozzi, Gallarate, Italy**

[73] **Assignee: Fratelli Guzzini S.p.A., Recanati, Italy**

[**] **Term: 14 Years**

[21] **Appl. No.: 109,423**

[22] **Filed: Oct. 16, 1987**

[30] **Foreign Application Priority Data**

Apr. 27, 1987 [IT] Italy 21464/87[U]

[52] **U.S. Cl. D7/503; D7/505; D7/653; D9/337**

[58] **Field of Search D7/76, 77, 3, 16-18, D7/7, 84.1, 138; D9/423, 424, 337, 428**

[56] **References Cited**

U.S. PATENT DOCUMENTS

D. 220,775	5/1971	O'Neill	D7/7
D. 280,058	8/1985	Carlson	D7/16
1,607,865	11/1926	Butler	D7/3 X
2,004,449	6/1935	Stanley	D7/16 X
3,565,245	2/1971	Asher	D7/138 X
4,531,475	7/1985	Thill	D7/84.1 X

OTHER PUBLICATIONS

Design 460, Apr., 1987, p. 20, lower left panel, Egg-Cup "Egg-Plinth with Craved Groove for Spoon", from Spong & Co.

Primary Examiner—Winifred E. Herrmann
Attorney, Agent, or Firm—Hedman, Gibson, Costigan & Hoare

[57] **CLAIM**

The ornamental design for an egg cup with a spoon, as shown and described.

DESCRIPTION

FIG. 1 is a top perspective view of an egg cup with a spoon showing my new design;
FIG. 2 is a front elevational view thereof taken in the direction of arrow 2 on FIG. 1;
FIG. 3 is a rear elevational view thereof taken in the direction of arrow 3 on FIG. 1;
FIG. 4 is right side elevational view thereof taken in the direction of arrow 4 on FIG. 1;
FIG. 5 is a left side elevational view thereof taken in the direction of arrow 5 on FIG. 1;
FIG. 6 is a top plan view thereof; and
FIG. 7 is a bottom plan view thereof.



Fig.1

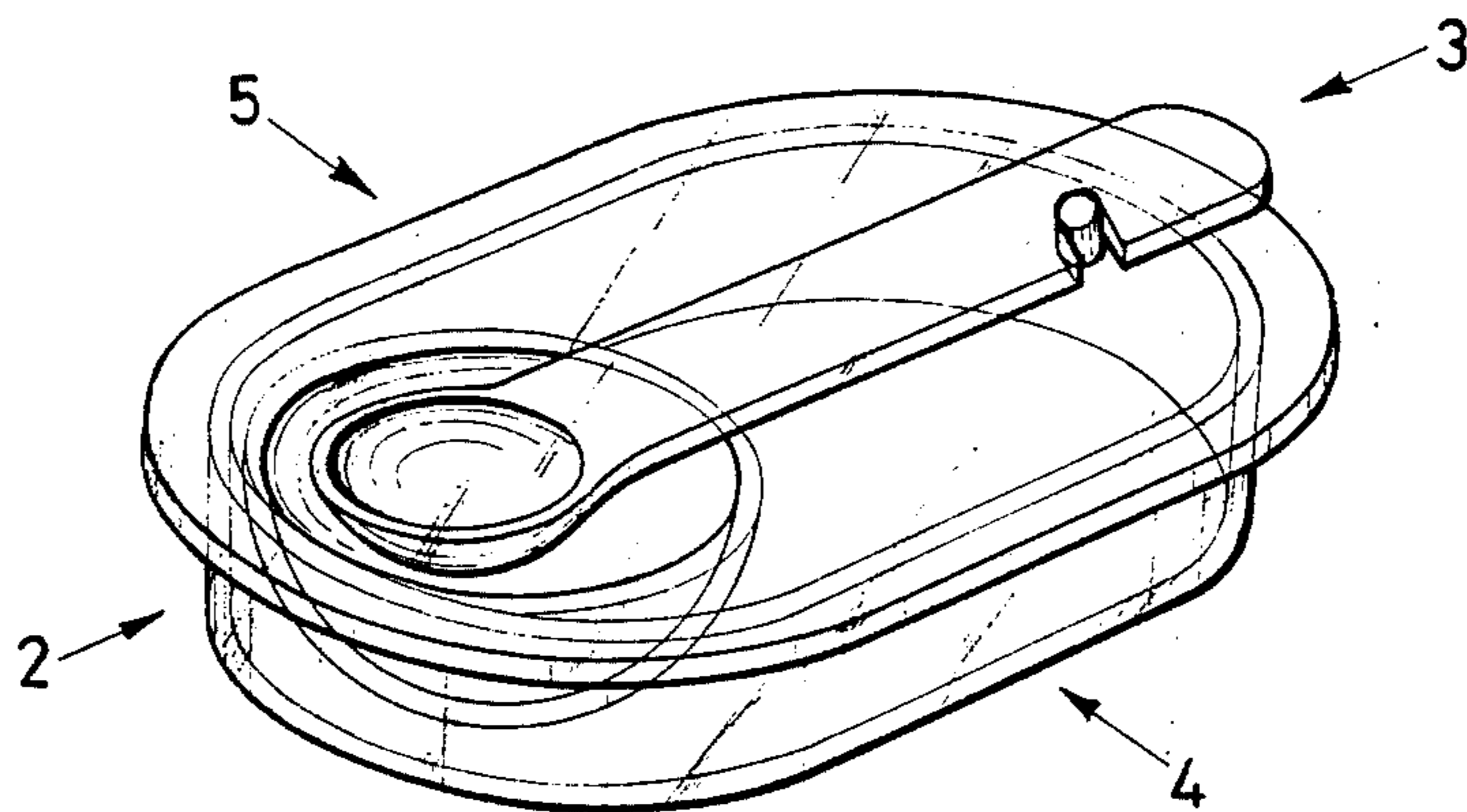
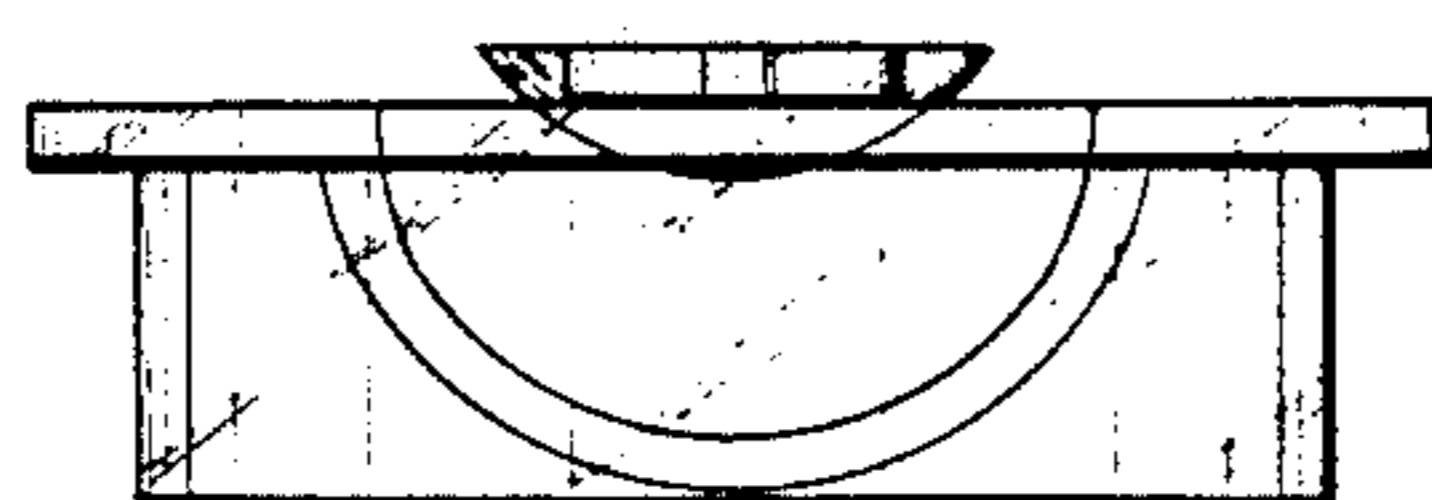


Fig.2



Fig.3



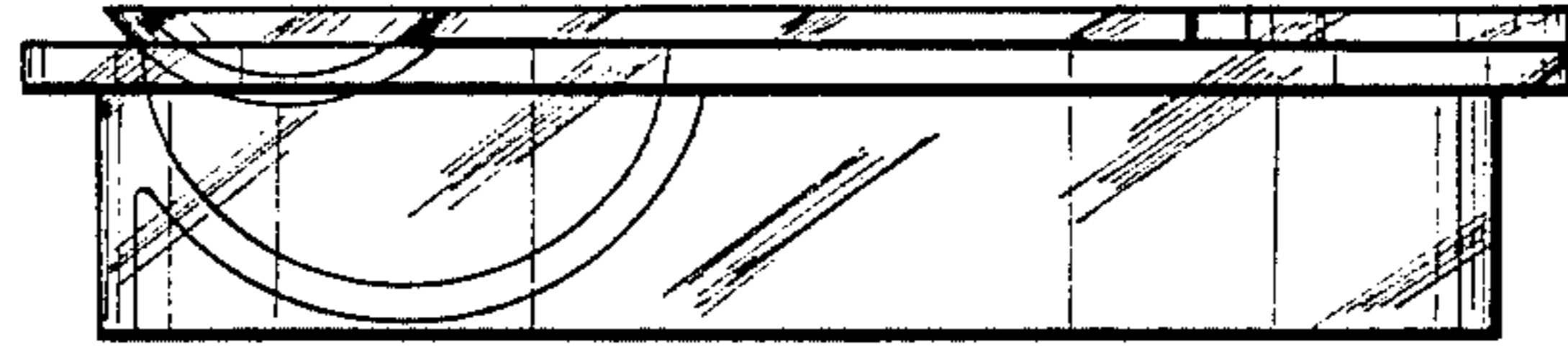


Fig.4

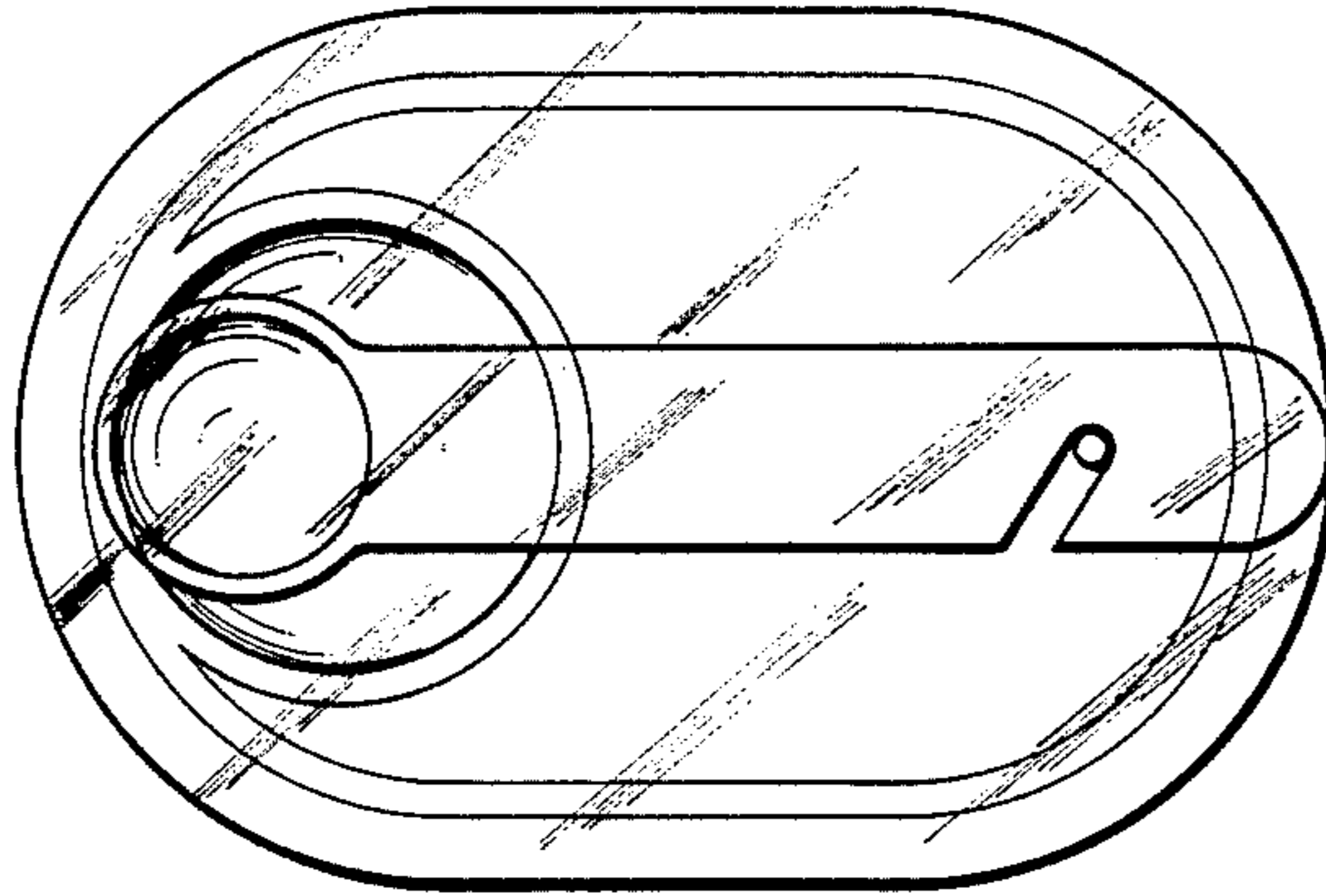


Fig.6

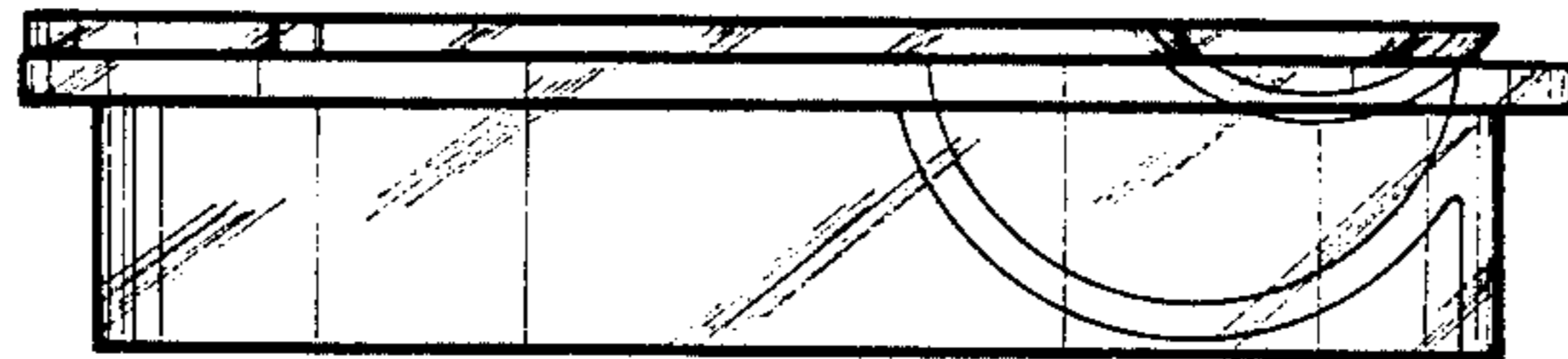


Fig.5

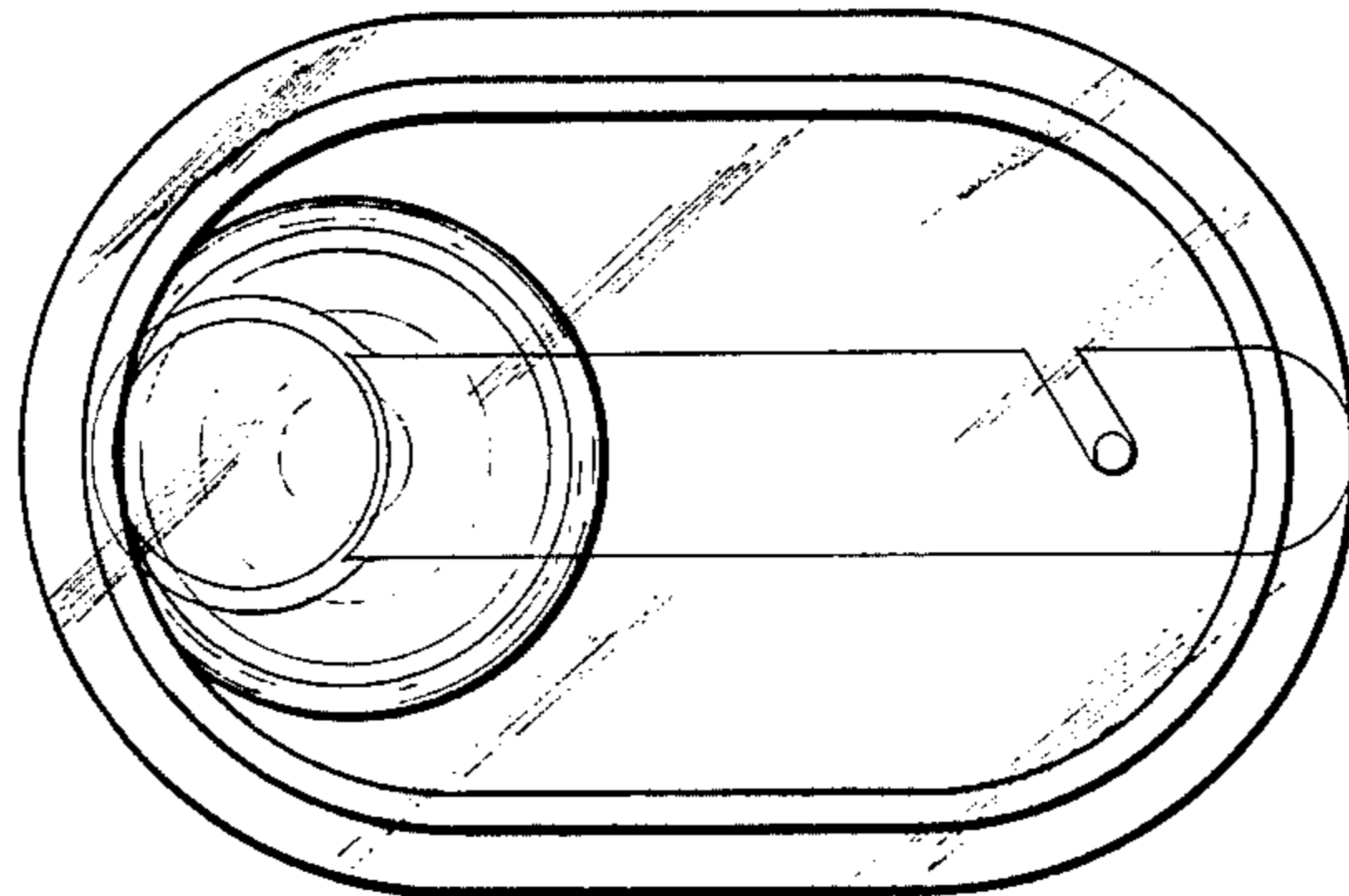


Fig.7