

[54] **WAFFLE IRON**

[75] **Inventor: Günter Storsberg, Solingen, Fed. Rep. of Germany**

[73] **Assignee: Robert Krups Stiftung & Co. KG., Solingen, Fed. Rep. of Germany**

[**] **Term: 14 Years**

[21] **Appl. No.: 79,812**

[22] **Filed: Jul. 30, 1987**

[52] **U.S. Cl. D7/352**

[58] **Field of Search D7/352, 353, 410, 409, D7/411, 359, 363, 332; 99/426, 372, 380, 376**

[56] **References Cited**

U.S. PATENT DOCUMENTS

- D. 97,879 10/1935 Worthington et al. D7/352
- D. 155,422 2/1947 Henderson D7/43
- D. 206,606 1/1967 Brown D7/43
- D. 250,447 12/1978 Levin D7/352

OTHER PUBLICATIONS

Design Catalog, Feb. 1981, p. 49, Wigo Waffle Iron, bottom right.

Primary Examiner—Bruce W. Dunkins
Assistant Examiner—Janice Seeger
Attorney, Agent, or Firm—Peter K. Kontler

[57] **CLAIM**

The ornamental design for a waffle iron, as shown and described.

DESCRIPTION

FIG. 1 is a top left-hand perspective view of a waffle iron showing my new design;
FIG. 2 is a left-hand side elevational view thereof;
FIG. 3 is a top plan view thereof;
FIG. 4 is a right-hand side elevational view thereof;
FIG. 5 is a bottom plan view thereof;
FIG. 6 is a front elevational view thereof; and
FIG. 7 is a rear elevational view thereof.

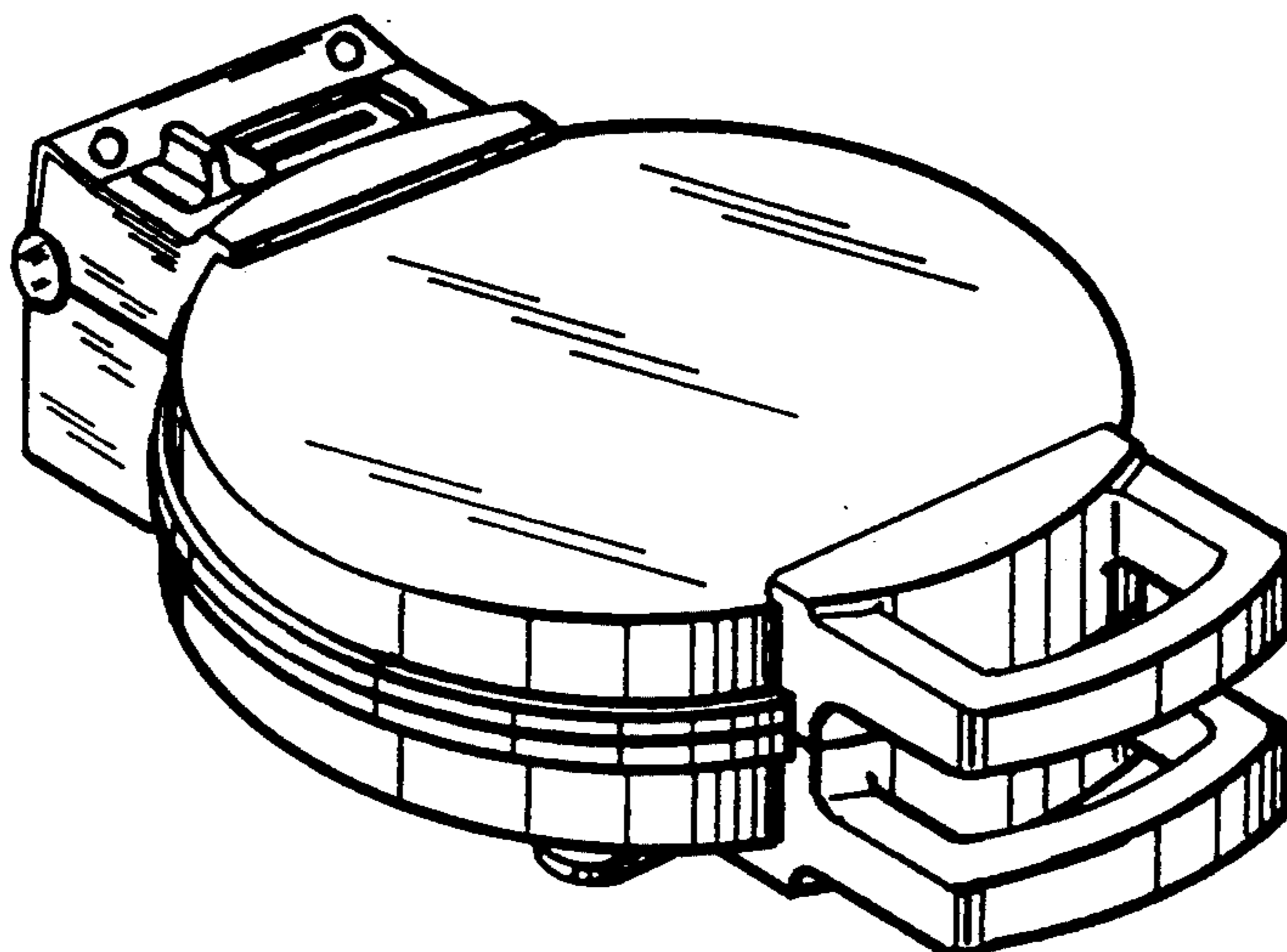


FIG. 1

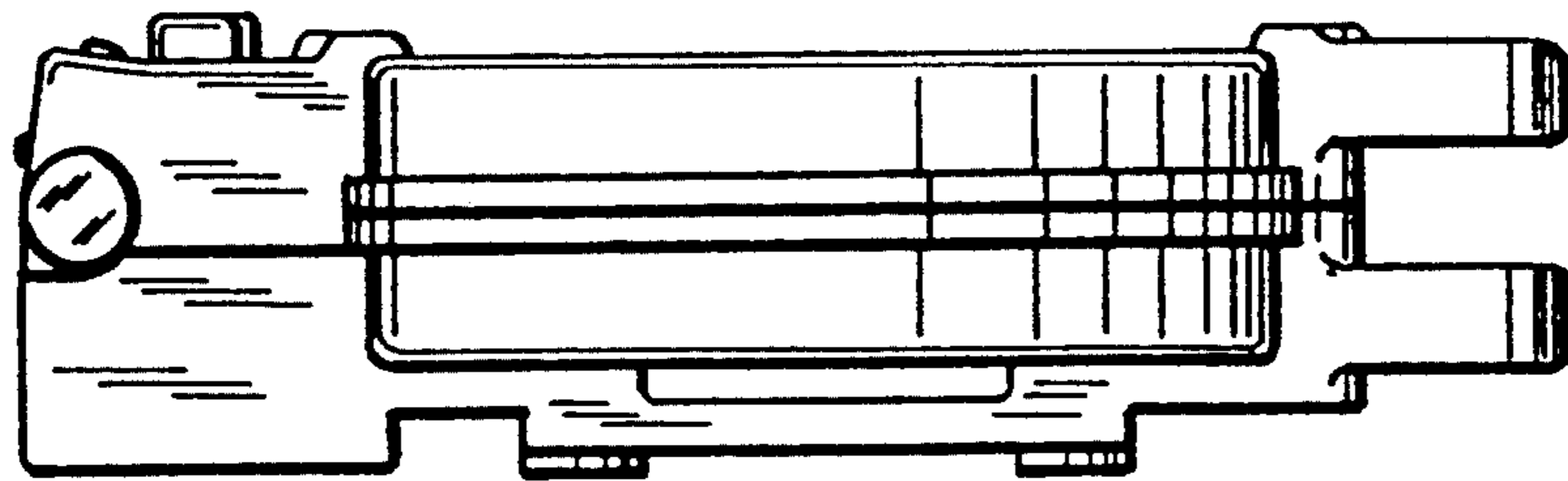
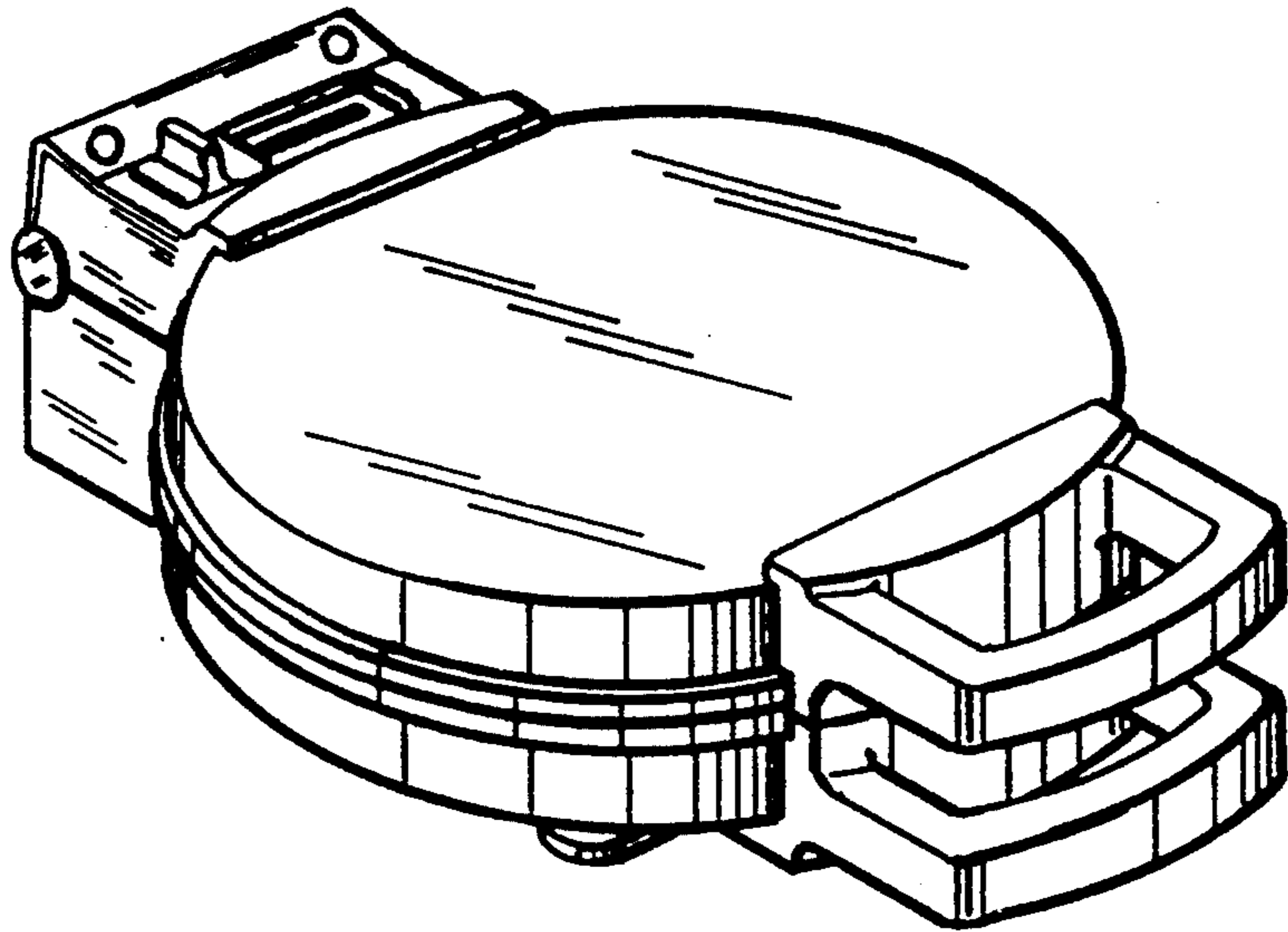


FIG. 2

FIG. 3

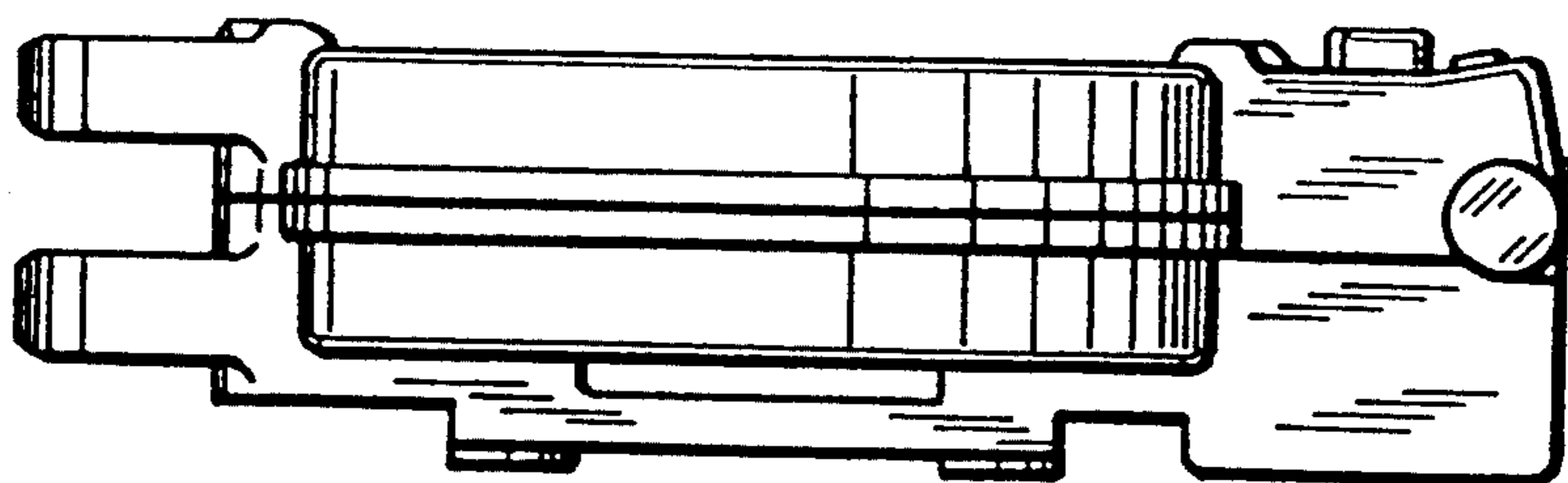
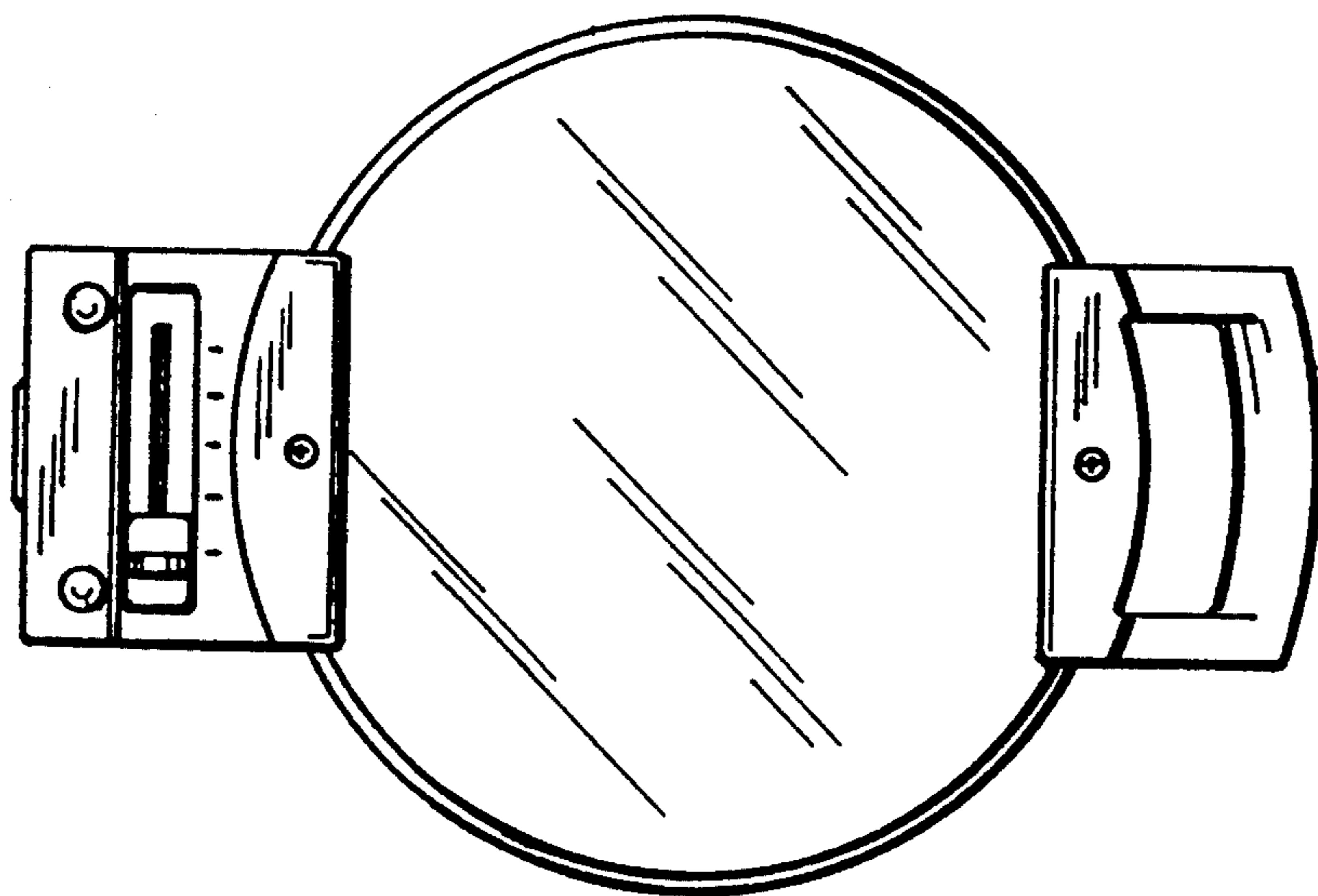


FIG. 4

FIG.5

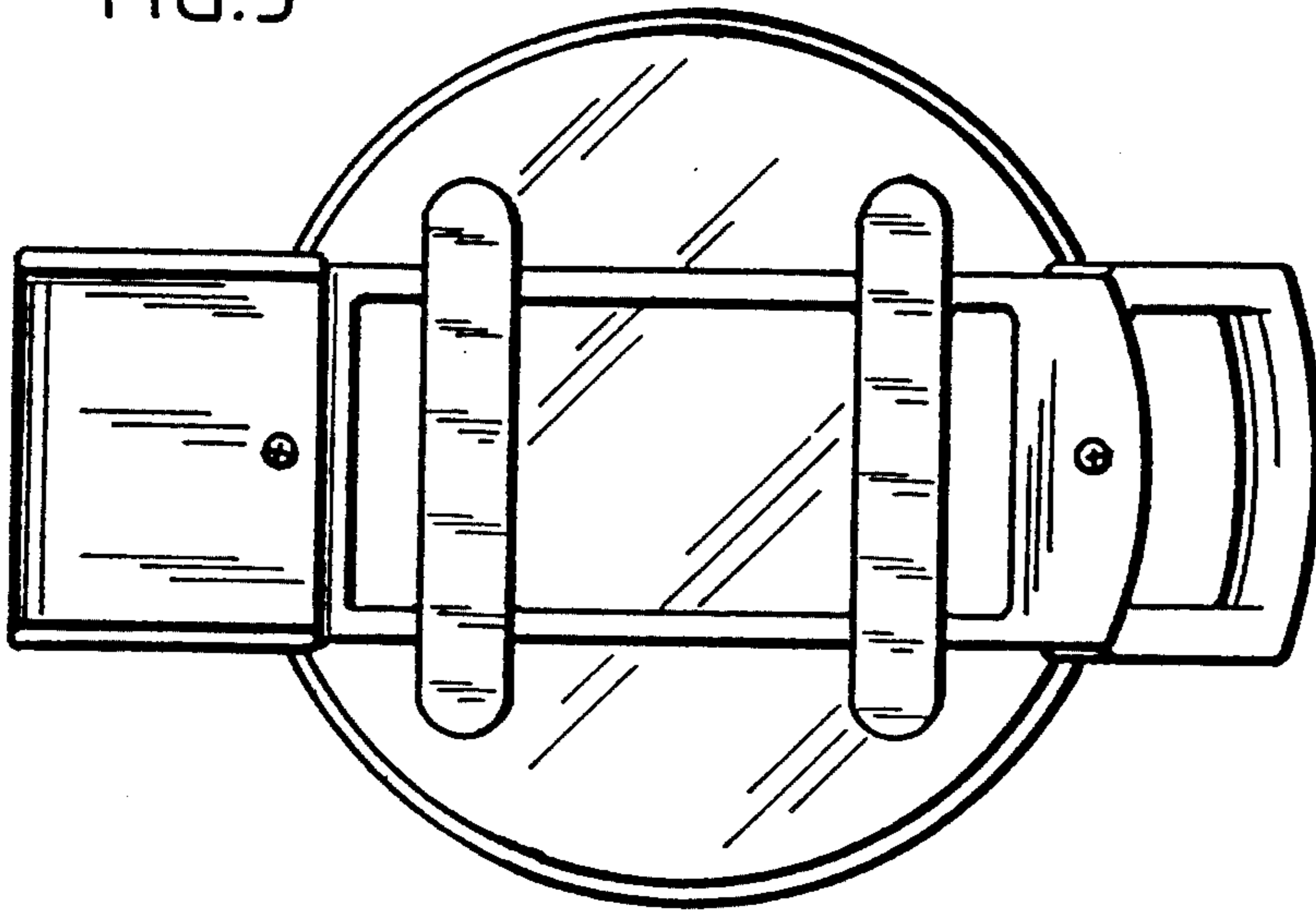


FIG.6

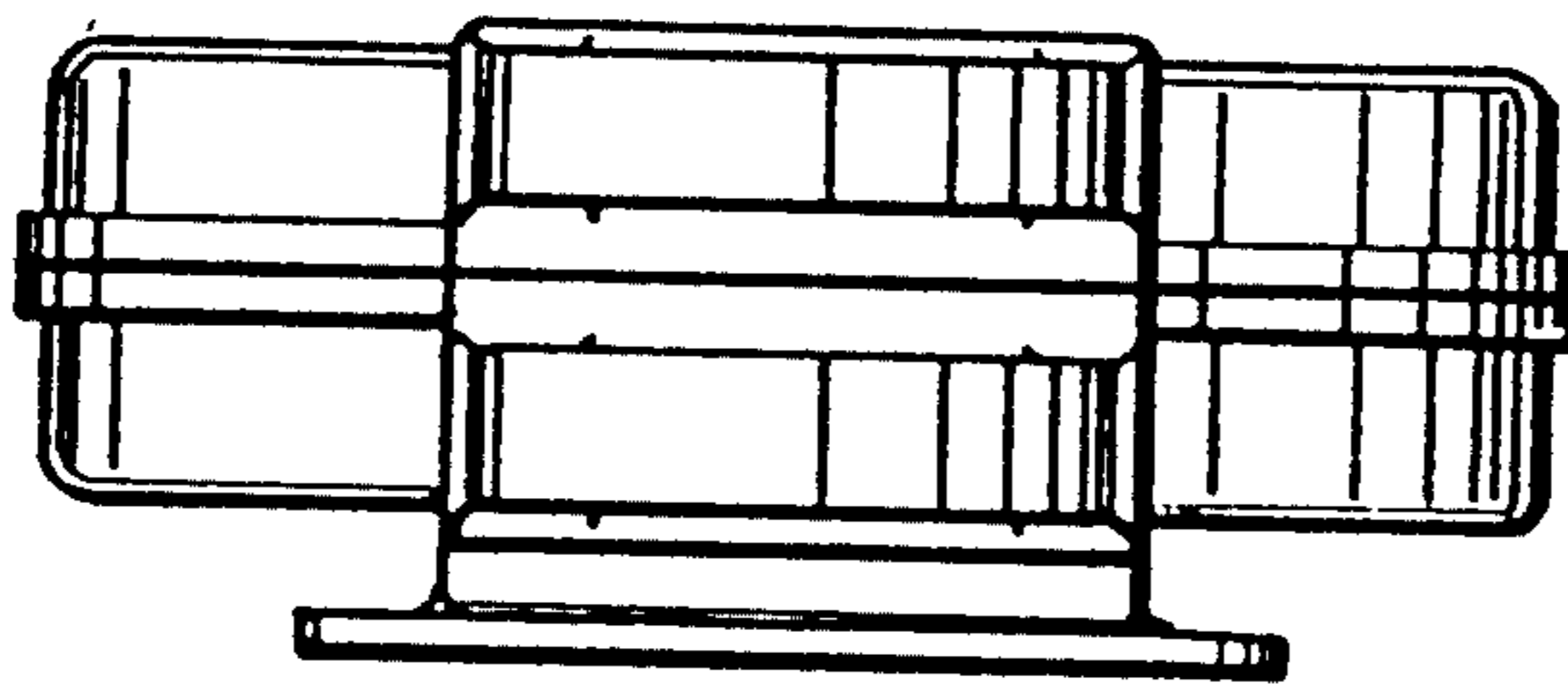


FIG.7

