

United States Patent [19]

Stone, Jr. et al.

[11] Patent Number: Des. 309,835

[45] Date of Patent: ** Aug. 14, 1990

[54] HANGER RETAINER

[76] Inventors: James R. Stone, Jr., 1675 Ceder Bluff Way, Marietta, Ga. 30062; Denise P. Neill, 5002 Meadow La., NE., Marietta, Ga. 30068

[**] Term: 14 Years

[21] Appl. No.: 64,923

[22] Filed: Jun. 22, 1987

[52] U.S. Cl. D6/328; D8/394; D28/42

[58] Field of Search D6/328; D8/394, 395, D8/383; D28/42; 223/85; 24/486, 519, 520

[56] References Cited

U.S. PATENT DOCUMENTS

D. 223,416 4/1972 Marshall D6/328
D. 234,204 1/1975 Miller et al. D8/395
D. 299,008 12/1988 Näslund D8/395

1,990,397 2/1935 Barnette 24/511
2,775,013 12/1956 Pedrero D8/383
4,769,878 9/1988 Liao 24/502

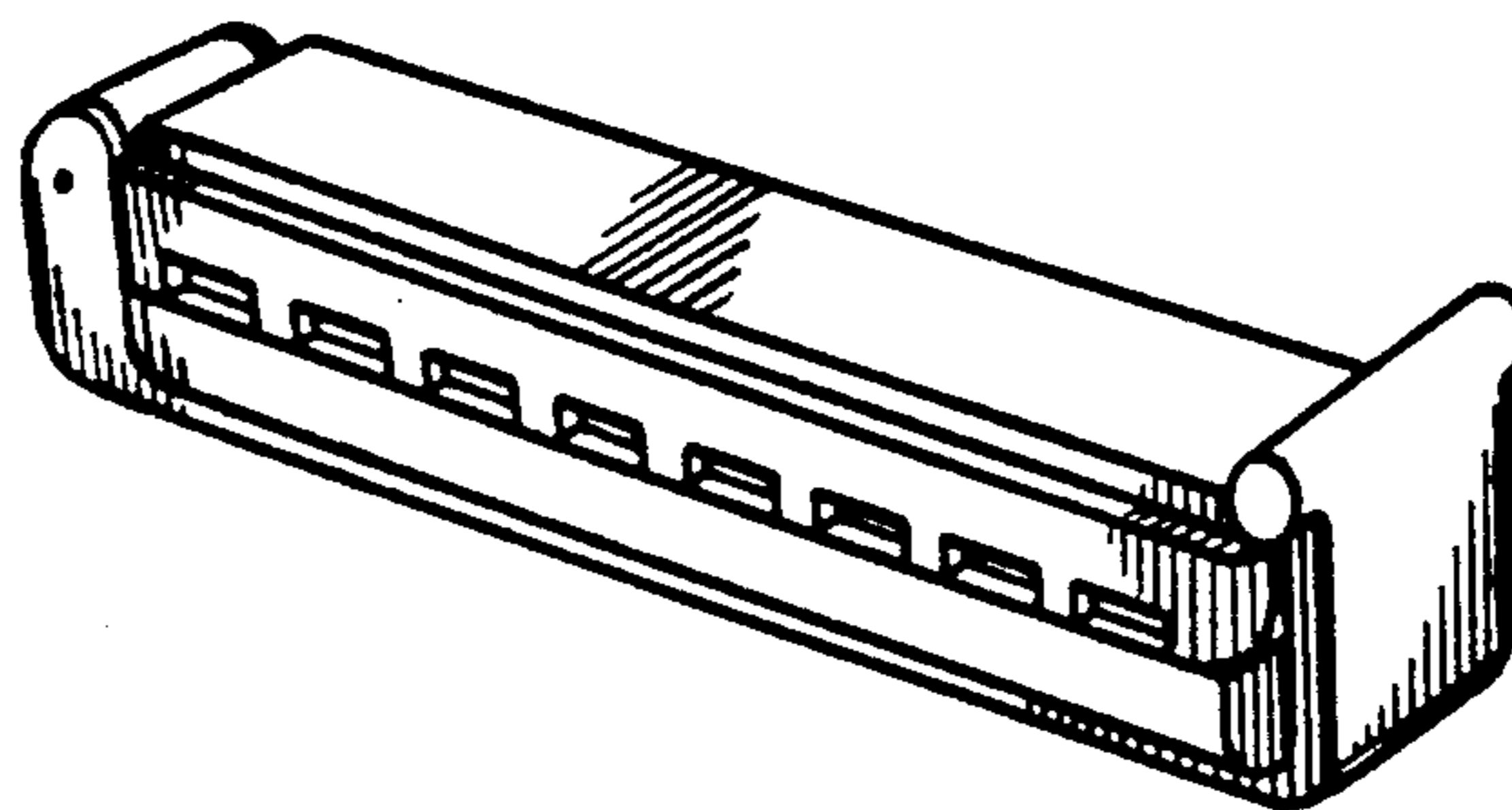
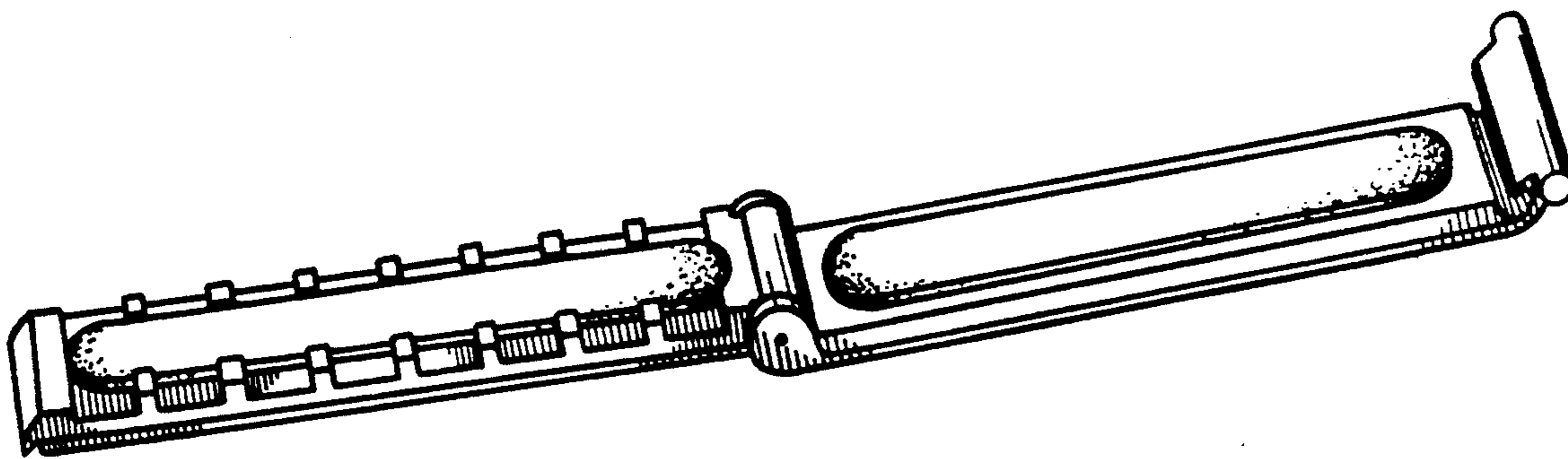
Primary Examiner—B. J. Bullock
Attorney, Agent, or Firm—B. J. Powell

[57] CLAIM

The ornamental design for a hanger retainer, as shown and described.

DESCRIPTION

FIG. 1 is a top perspective view of the hanger retainer embodying our new design, in its open position;
FIG. 2 is a top perspective view thereof, in its closed position;
FIG. 3 is a top view of FIG. 2;
FIG. 4 is a side view of FIG. 2, the side opposite being a mirror image thereof;
FIG. 5 is a bottom view of FIG. 2;
FIG. 6 is a right end view of FIG. 2;
FIG. 7 is a left end view of FIG. 2;



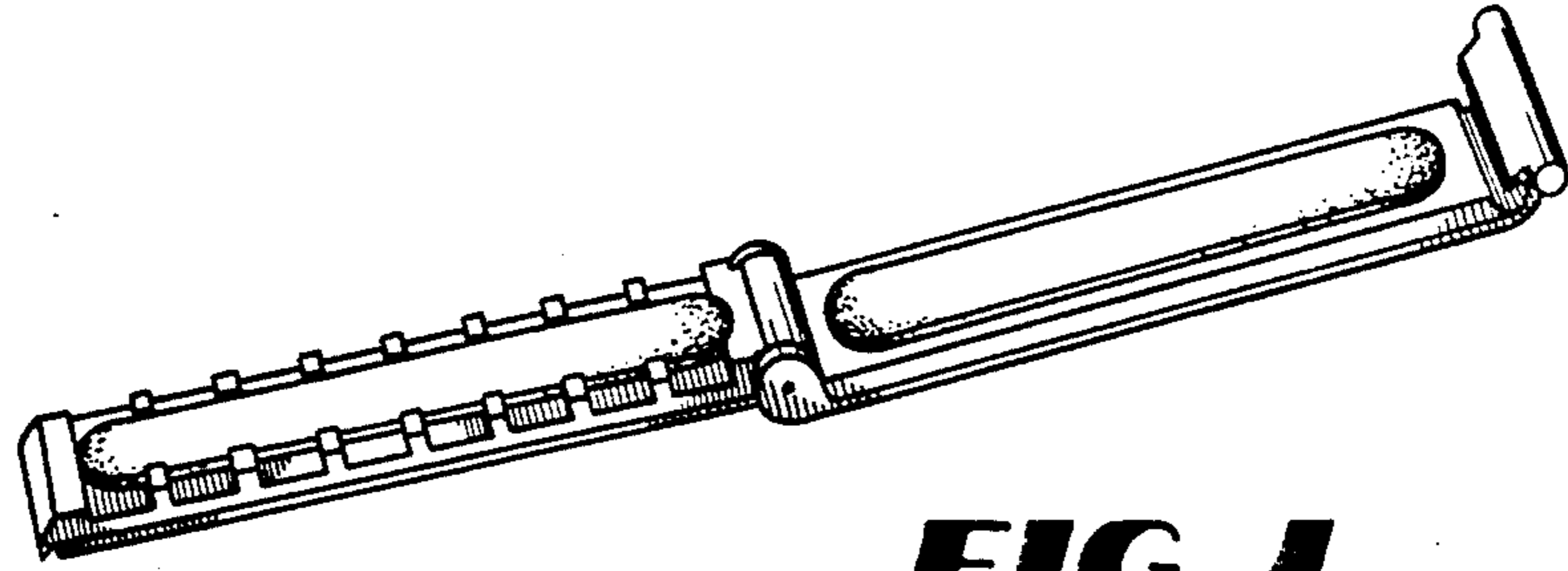


FIG 1

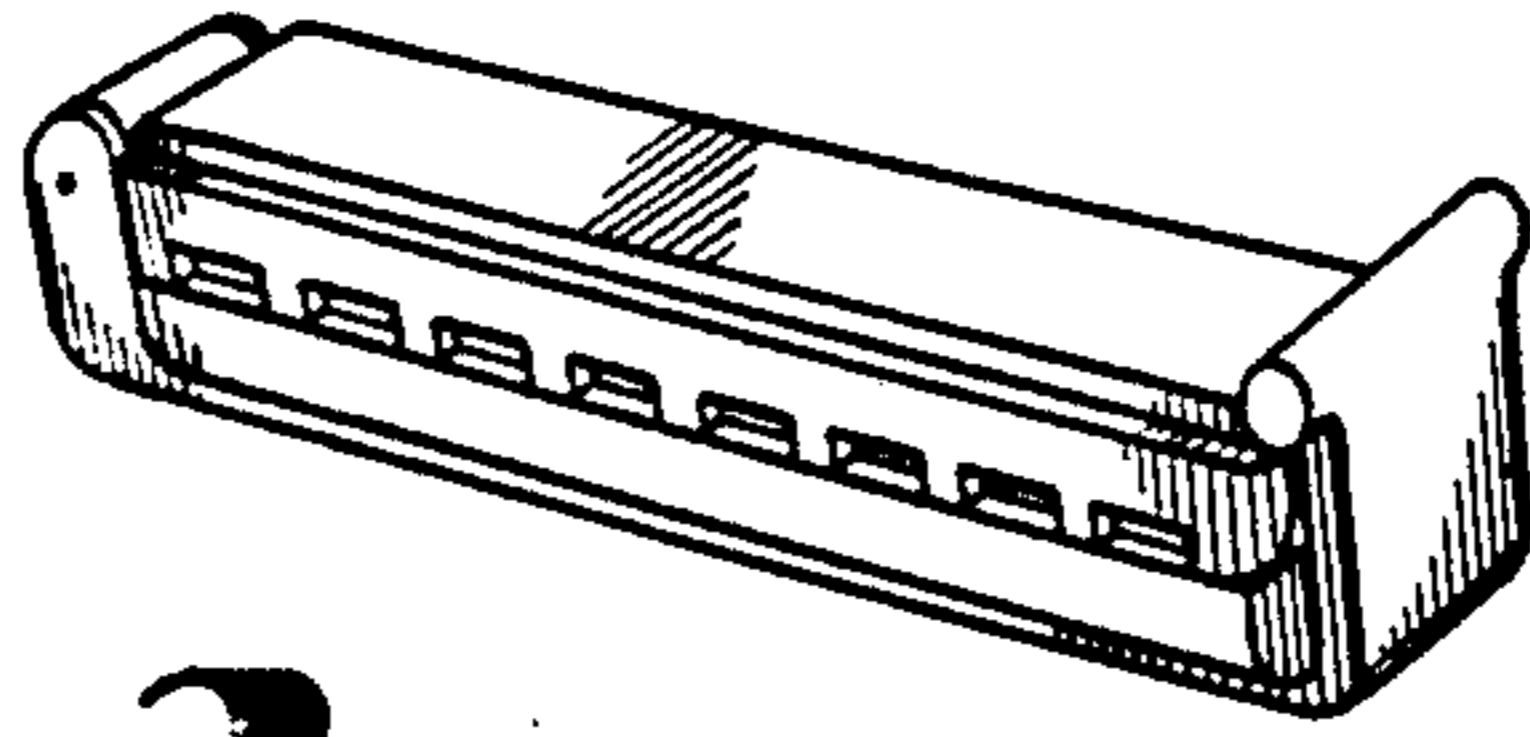


FIG 2

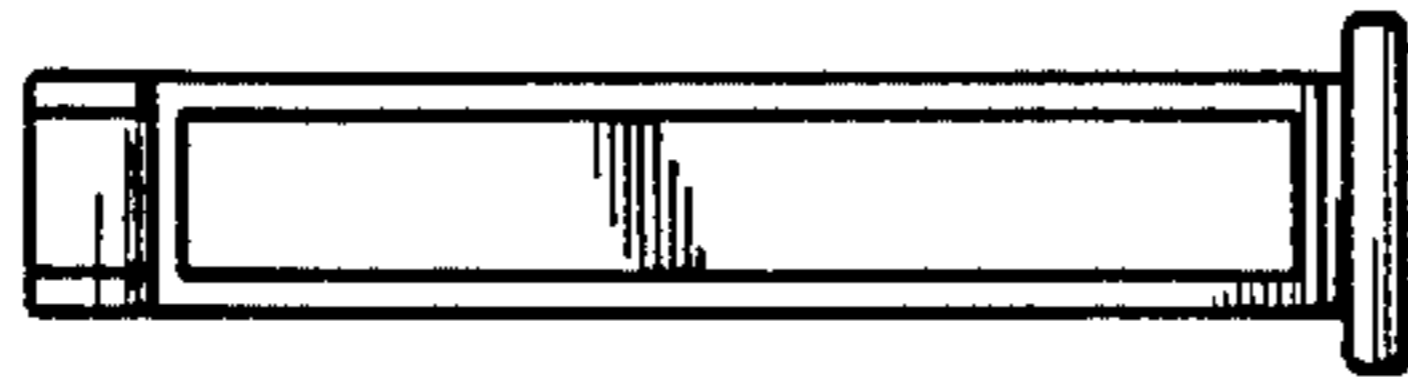


FIG 3



FIG 6

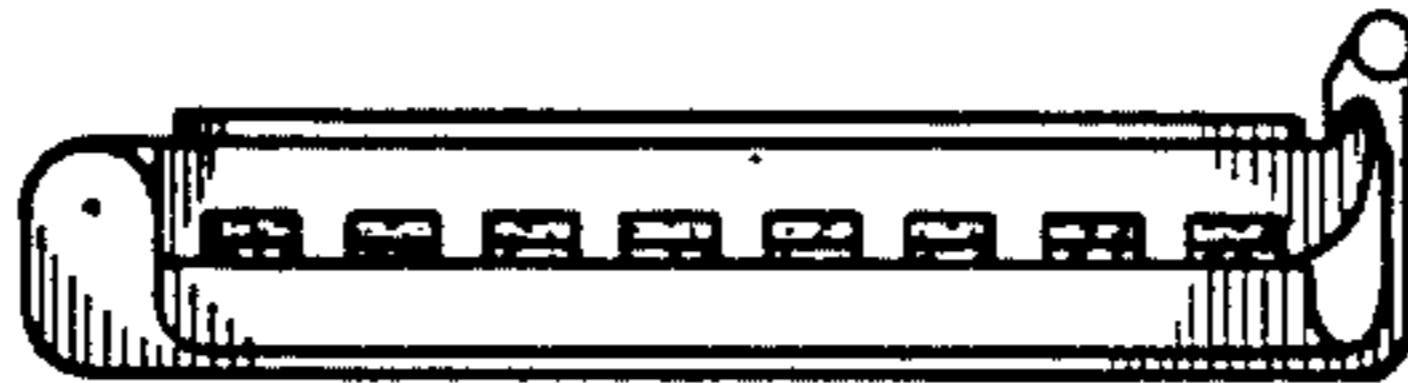


FIG 4



FIG 7

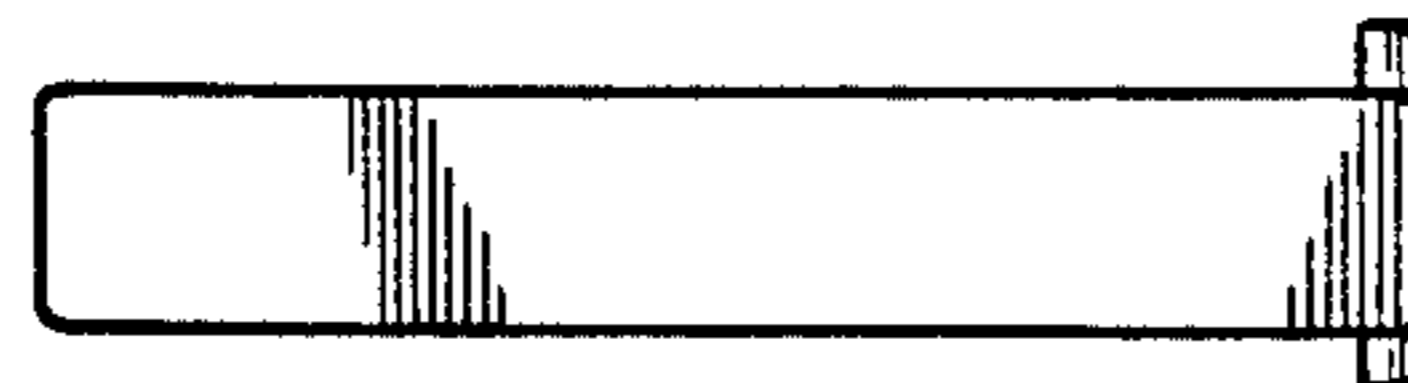


FIG 5