

[54] **WARDROBE BAG**  
[76] **Inventor: Richard B. Gibbs, 11548 Thurston Cir., Los Angeles, Calif. 90049**  
[\*\*] **Term: 14 Years**  
[21] **Appl. No.: 926,994**  
[22] **Filed: Nov. 4, 1986**  
[52] **U.S. Cl. .... D3/71; D3/76; 190/102; 190/100; 190/109; 206/287.1**  
[58] **Field of Search ..... D3/71, 76; 206/286, 206/287, 287.1; 190/100, 110, 102, 115, 109, 108, 112**

D. 280,782 10/1985 Cooper ..... D3/76 X  
D. 281,465 11/1985 Bomes et al. .... D3/71  
D. 292,744 11/1987 Allen ..... D3/71 X  
D. 296,956 8/1988 Cooper ..... D3/71

*Primary Examiner*—James R. Largen  
*Assistant Examiner*—Y. Brunot  
*Attorney, Agent, or Firm*—Kelly, Bauersfeld & Lowry

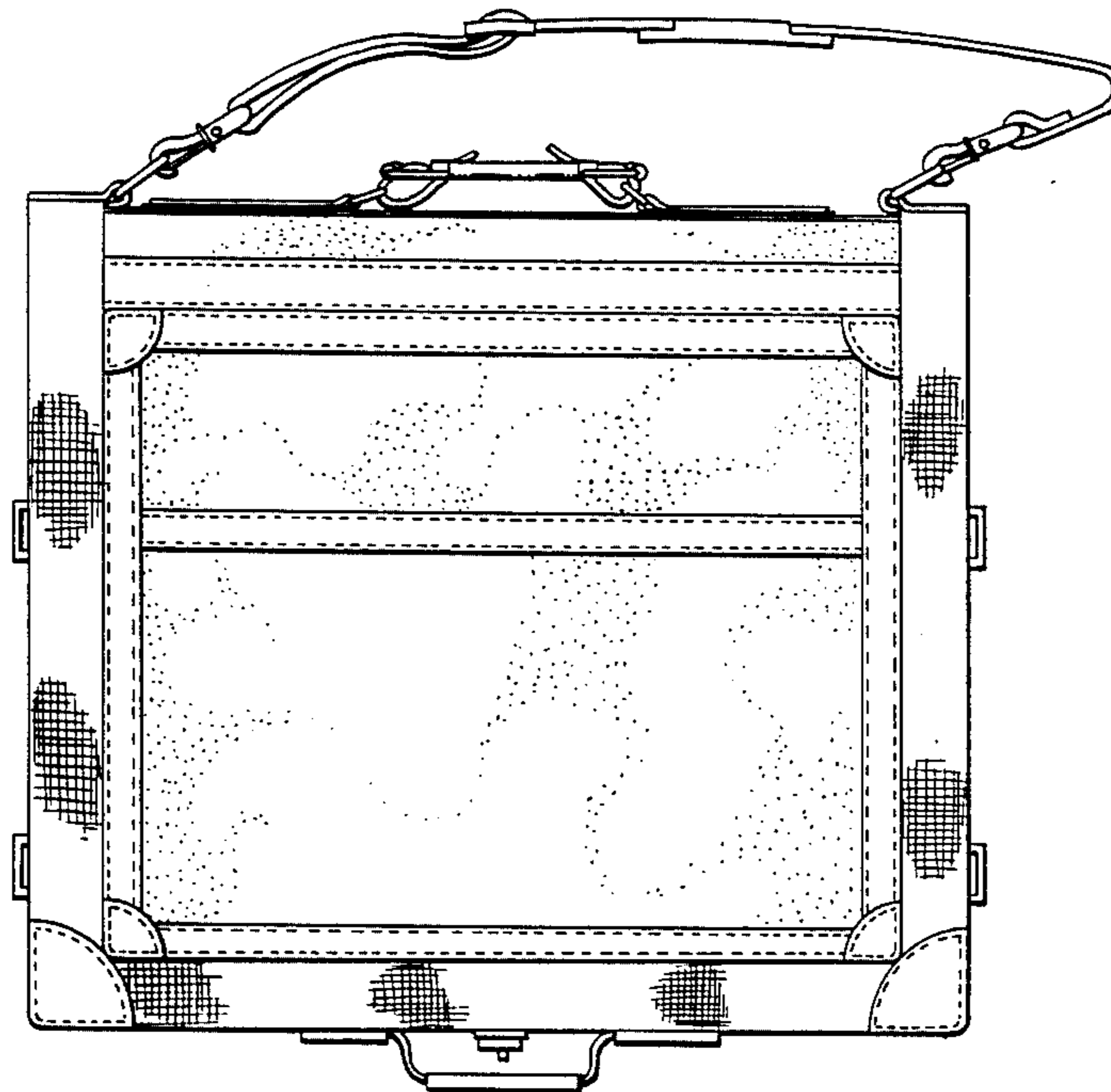
[57] **CLAIM**

The ornamental design for a wardrobe bag, as shown.

**DESCRIPTION**

FIG. 1 is a front elevational view of a wardrobe bag showing my new design in a folded condition; FIG. 2 is a left side elevational view thereof; FIG. 3 is a top plan view thereof; FIG. 4 is a rear elevational view thereof; FIG. 5 is a right side elevational view thereof; and FIG. 6 is a bottom plan view thereof.

[56] **References Cited**  
**U.S. PATENT DOCUMENTS**  
D. 234,410 2/1975 Rosenblum ..... D3/71  
D. 273,151 3/1984 Katz et al. .... D3/71



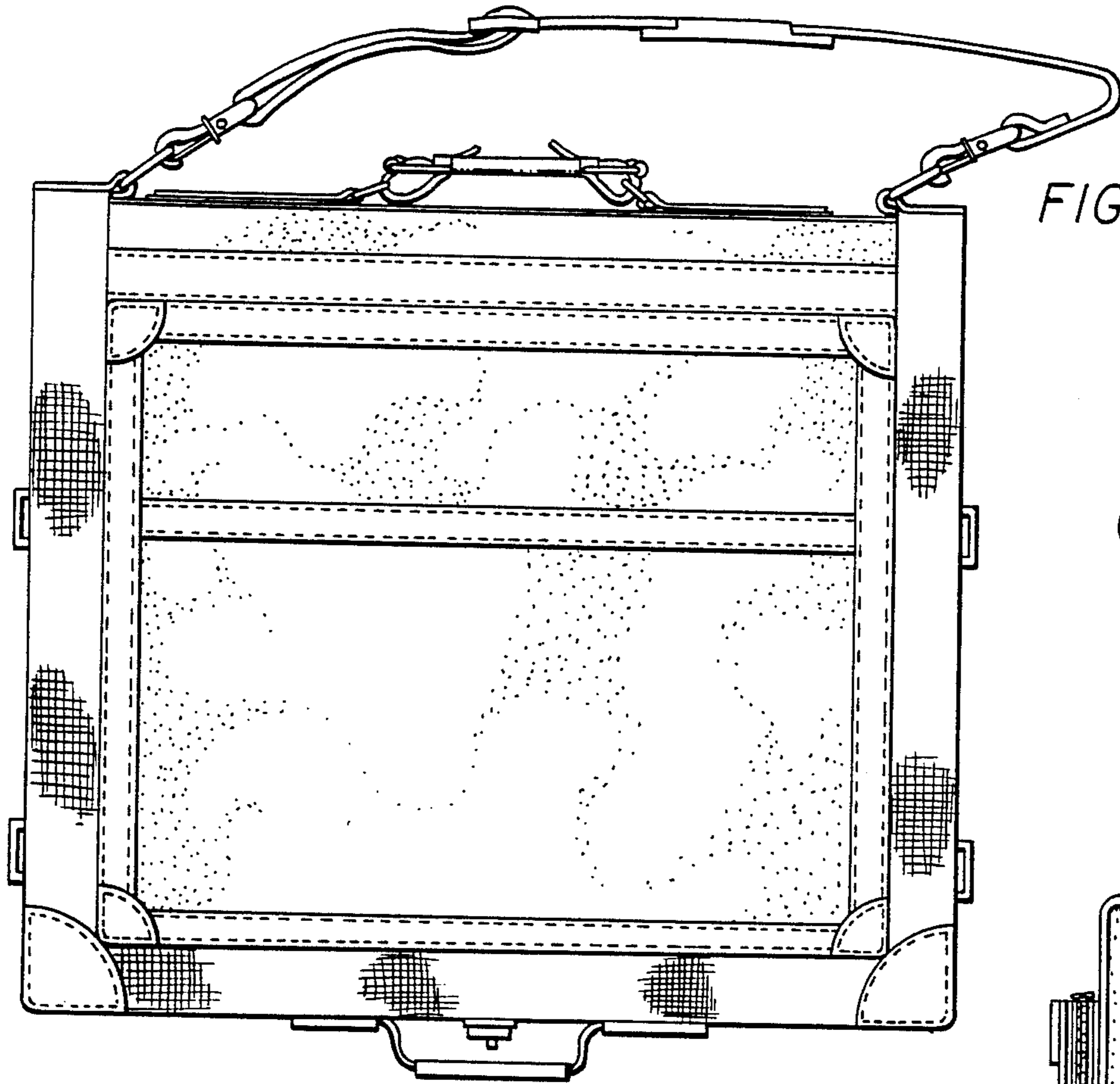


FIG. 1

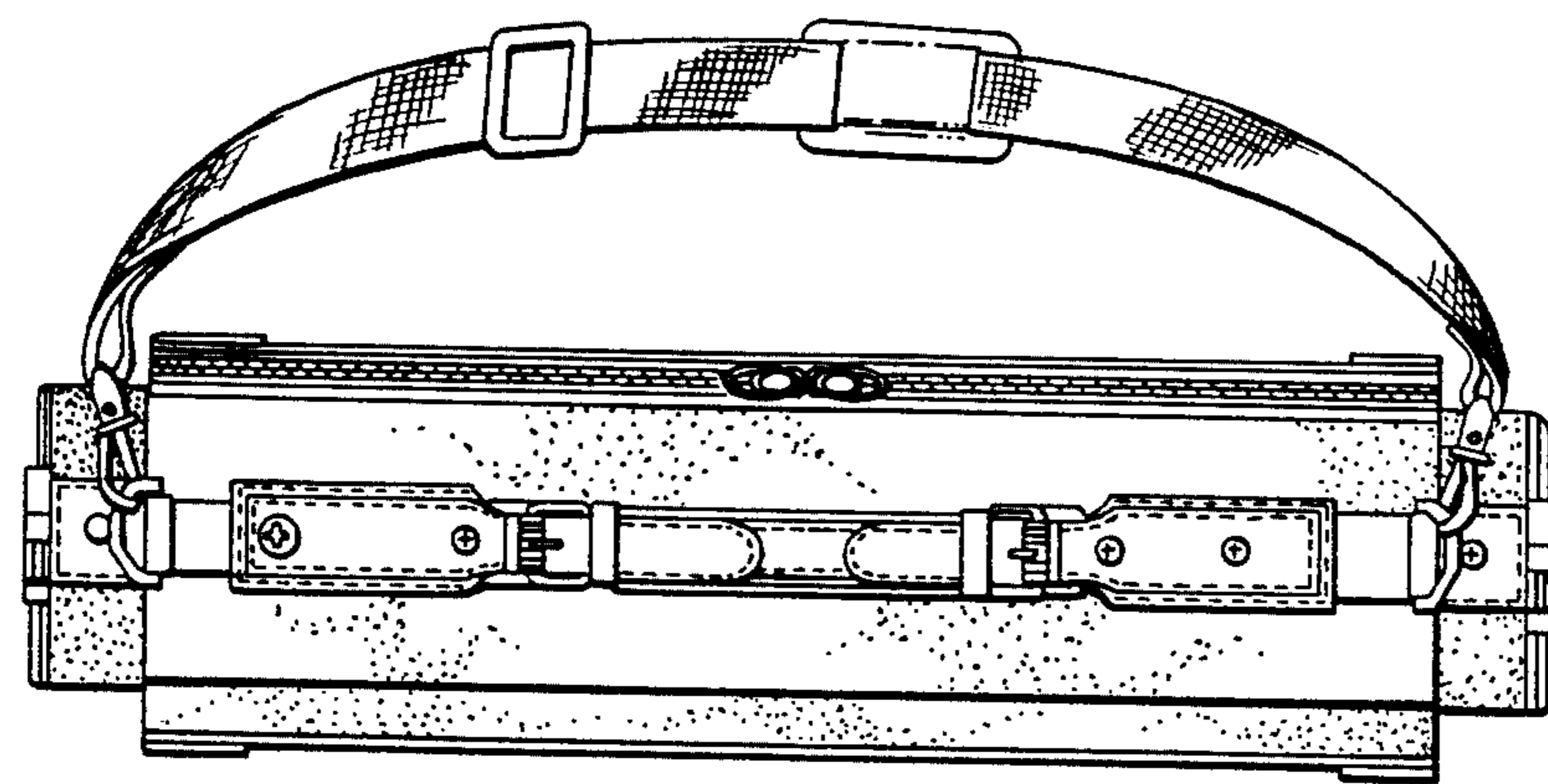


FIG. 2

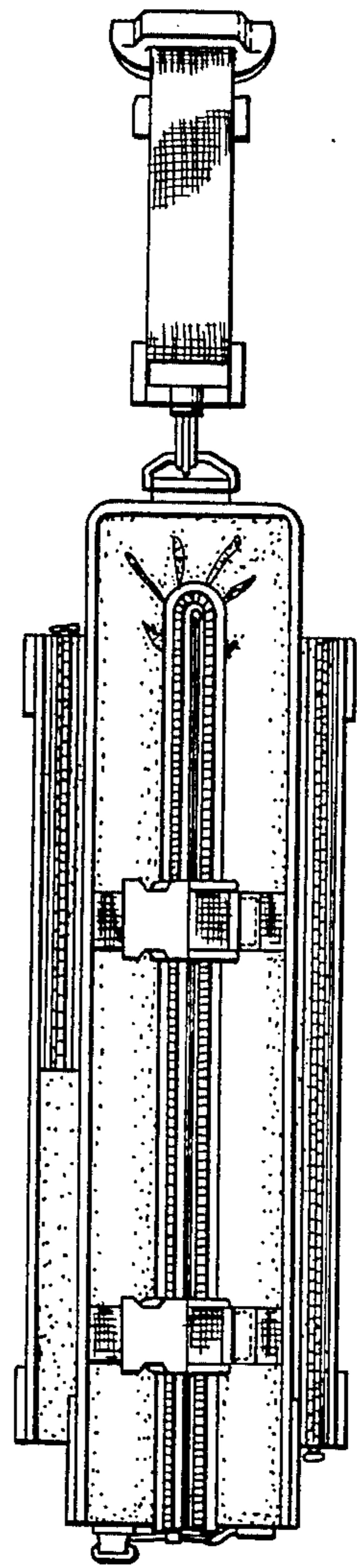


FIG. 3

FIG. 4

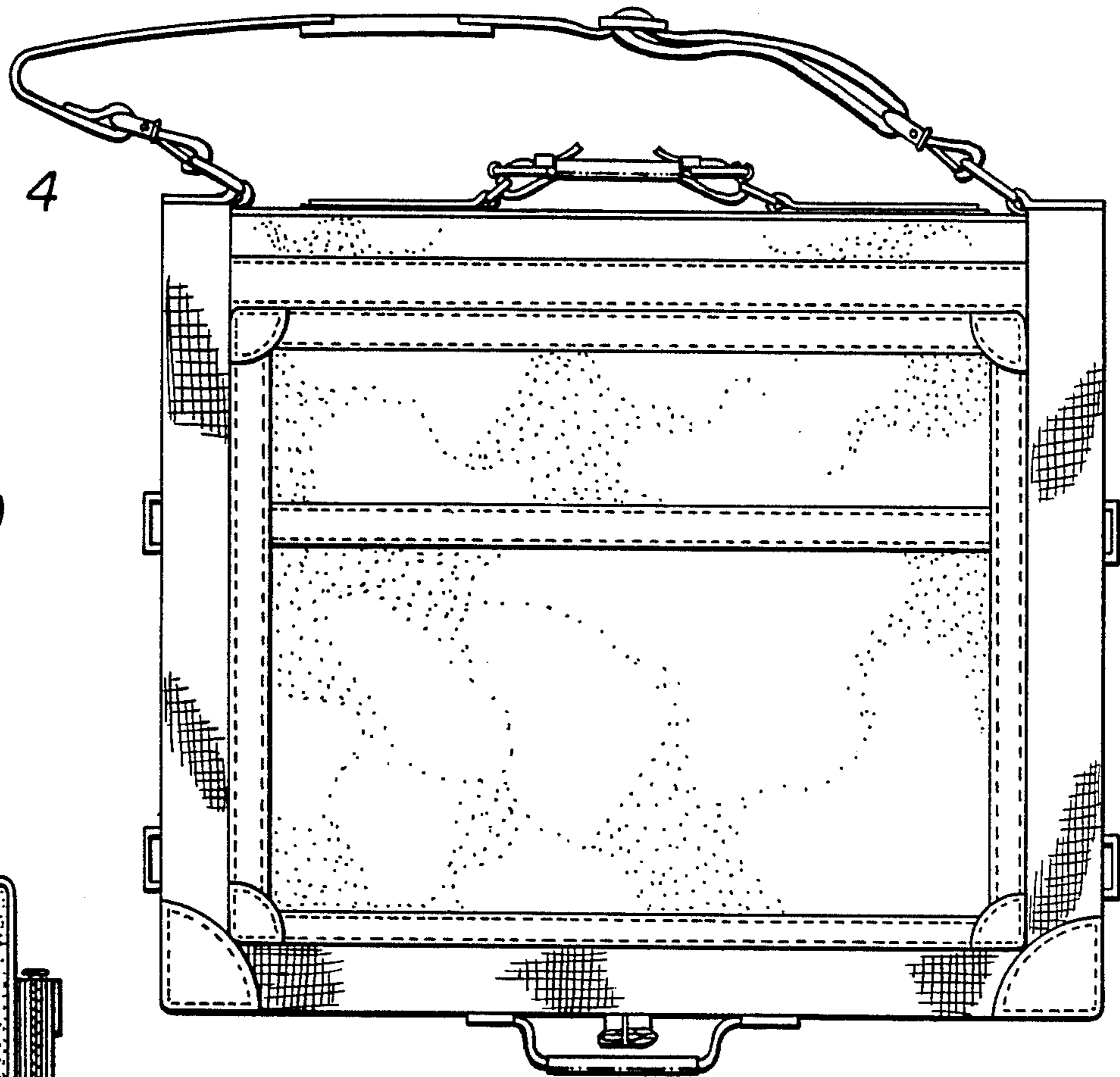


FIG. 5

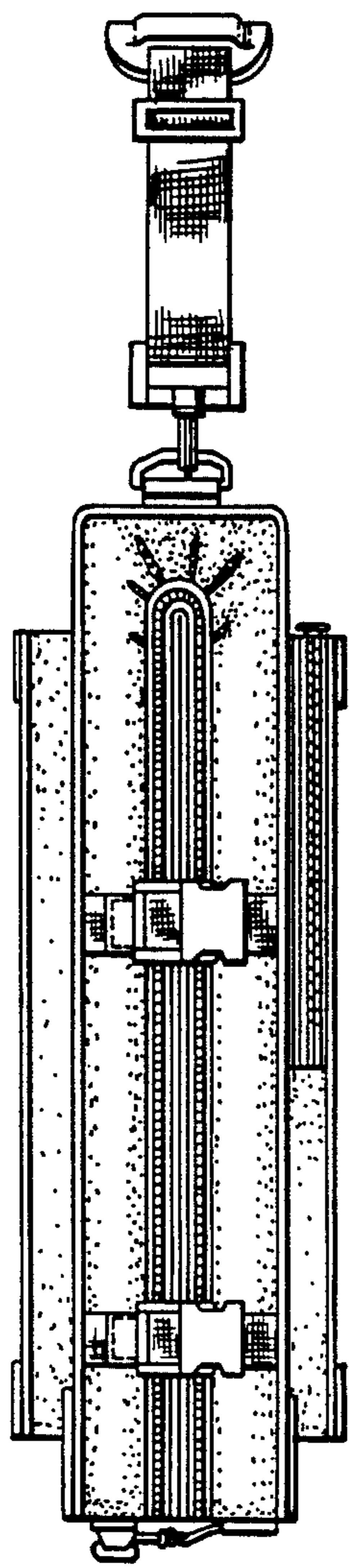


FIG. 6

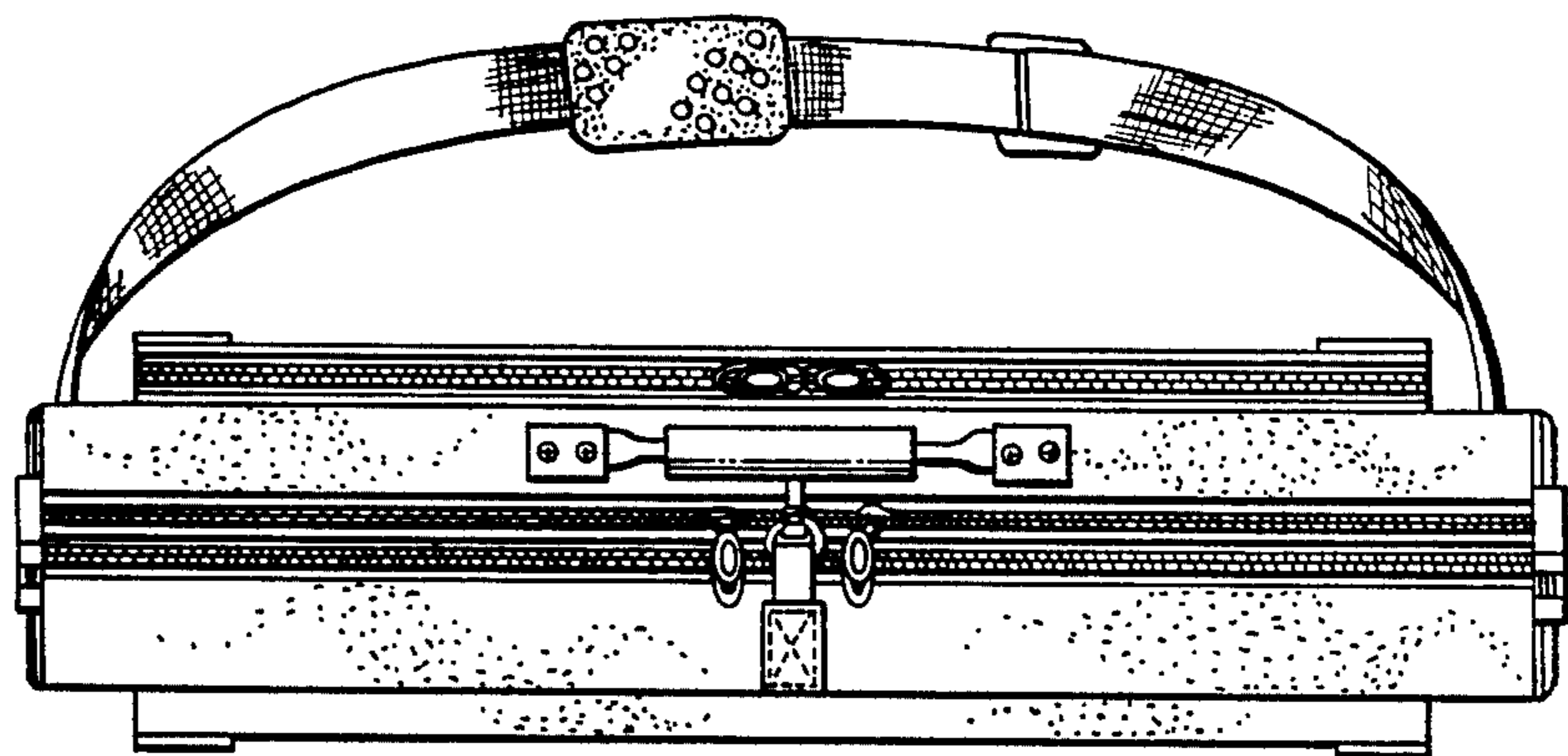


FIG. 7

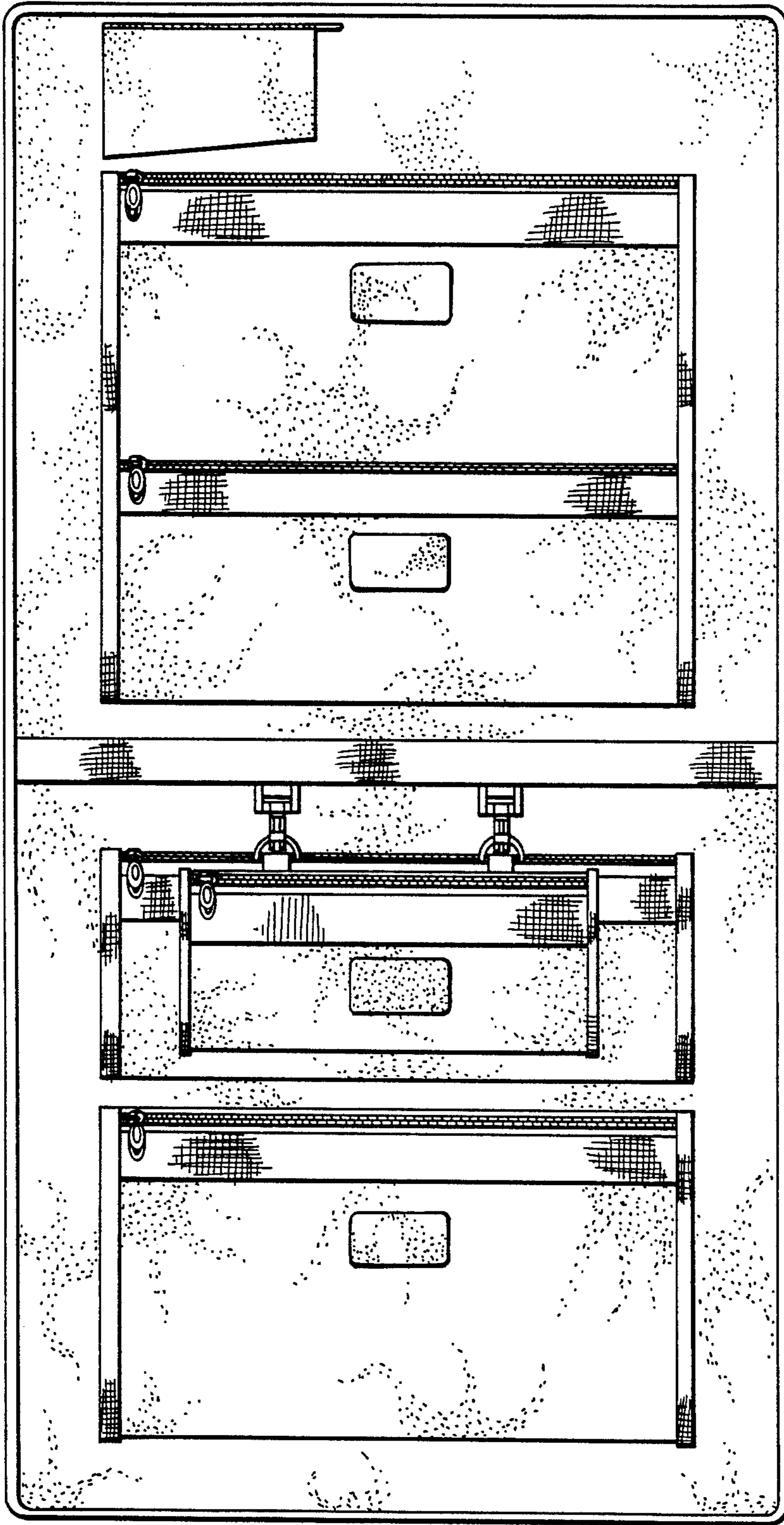


FIG. 8

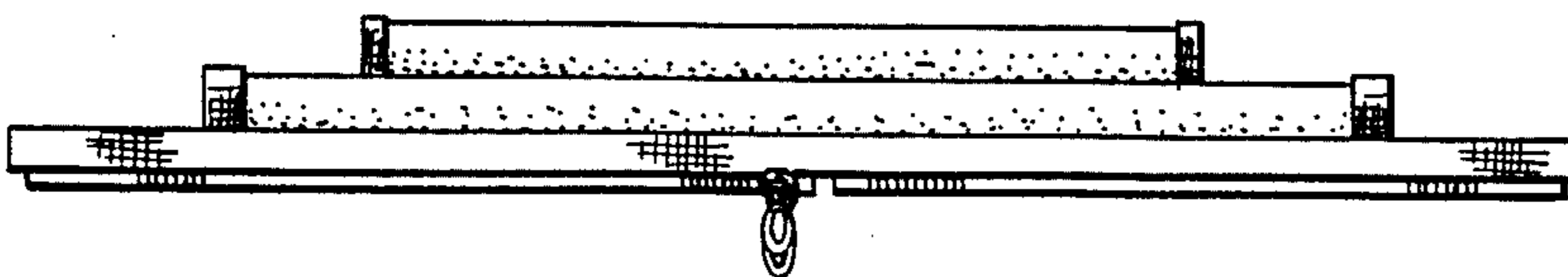


FIG. 9

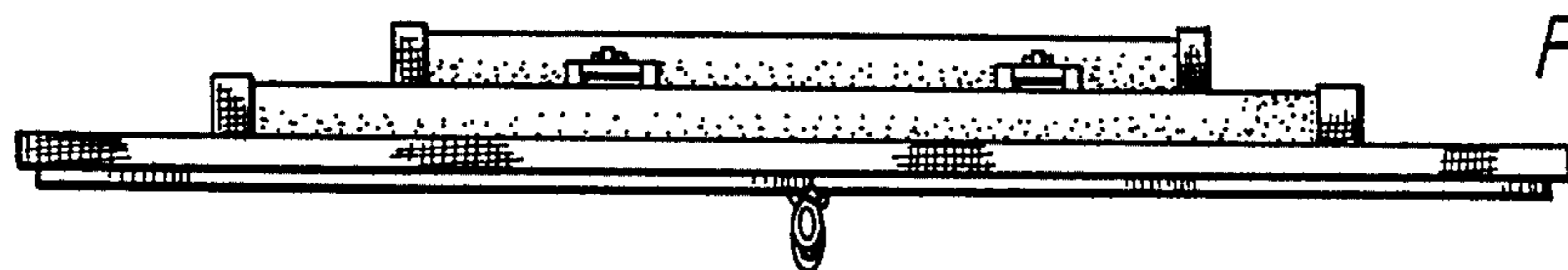


FIG. 10

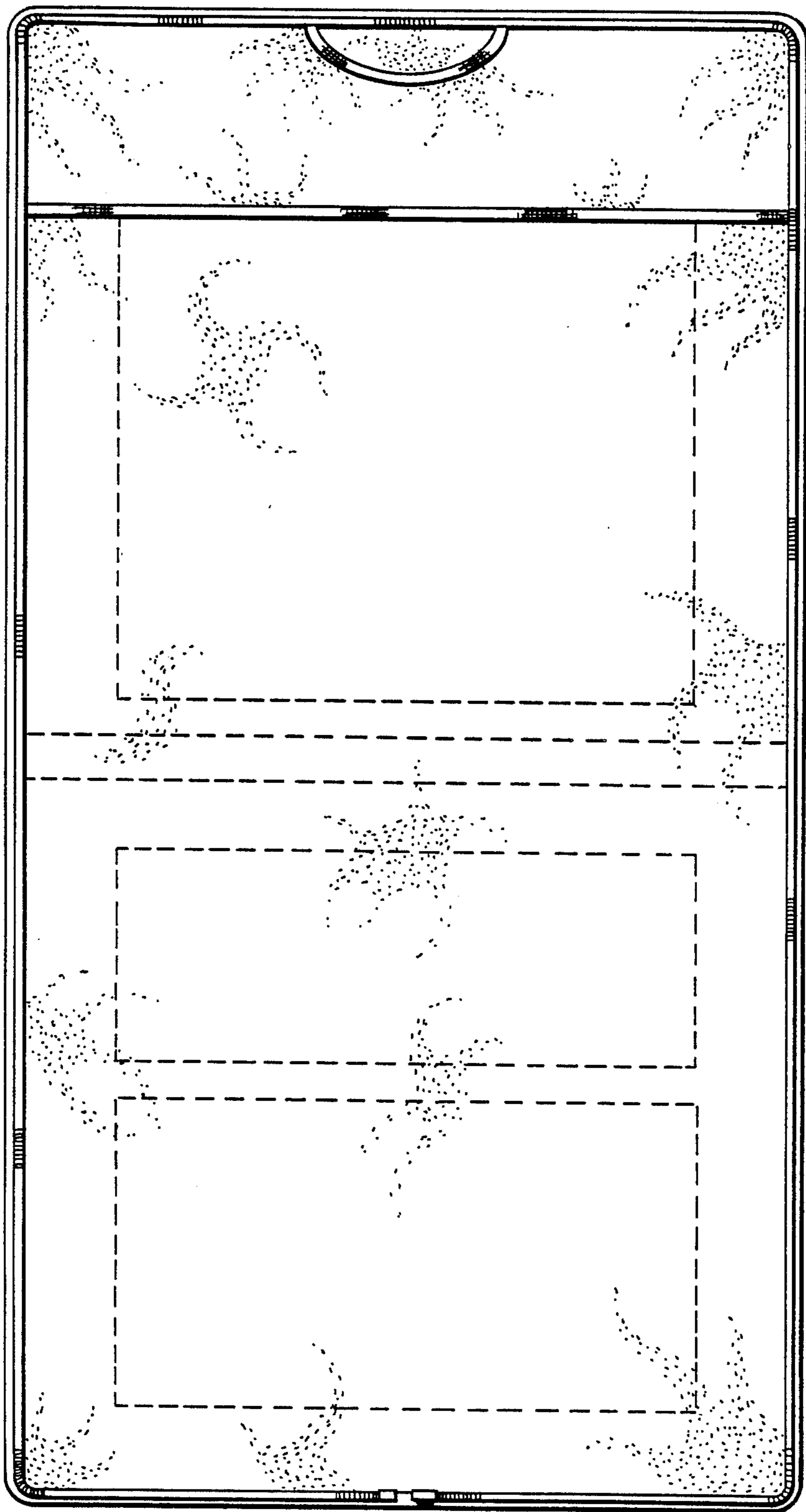


FIG. 11

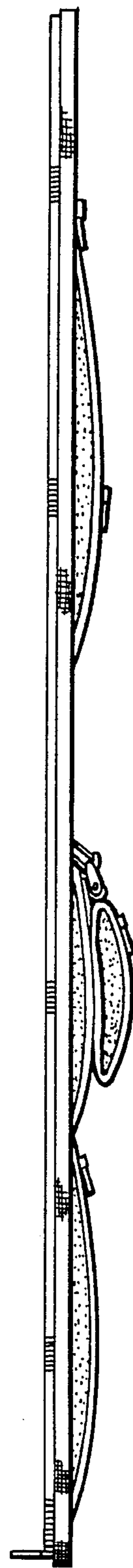


FIG. 12