

[54] FLIP TOP LIGHTED VANITY MIRROR FOR AN AUTOMOBILE DASH

[75] Inventors: Pierre Charet, Duke Kraai, both of Miami Fla.

[73] Assignee: Rally Accessories, Inc., Miami, Fla.

[**] Term: 14 Years

[21] Appl. No.: 938,751

[22] Filed: Dec. 5, 1986

[52] U.S. Cl. D3/40; D3/39; D28/83

[58] Field of Search D3/39, 40; D28/83, 38, D28/61, 76-78; D9/423; D12/155; 362/135-137; 224/42.11, 42.42, 273, 375; 220/DIG. 26; 206/235, 581, 823; 132/286-288, 293, 294, 300, 301, 316

[56] References Cited

U.S. PATENT DOCUMENTS

D. 163,587 6/1951 Eddleman et al. D3/39

D. 262,150 12/1981 Sussman D28/83
D. 281,731 12/1985 Phu D28/83
2,258,541 10/1941 Cressaty 362/137
3,637,278 1/1972 Easterbrooks D28/83 X

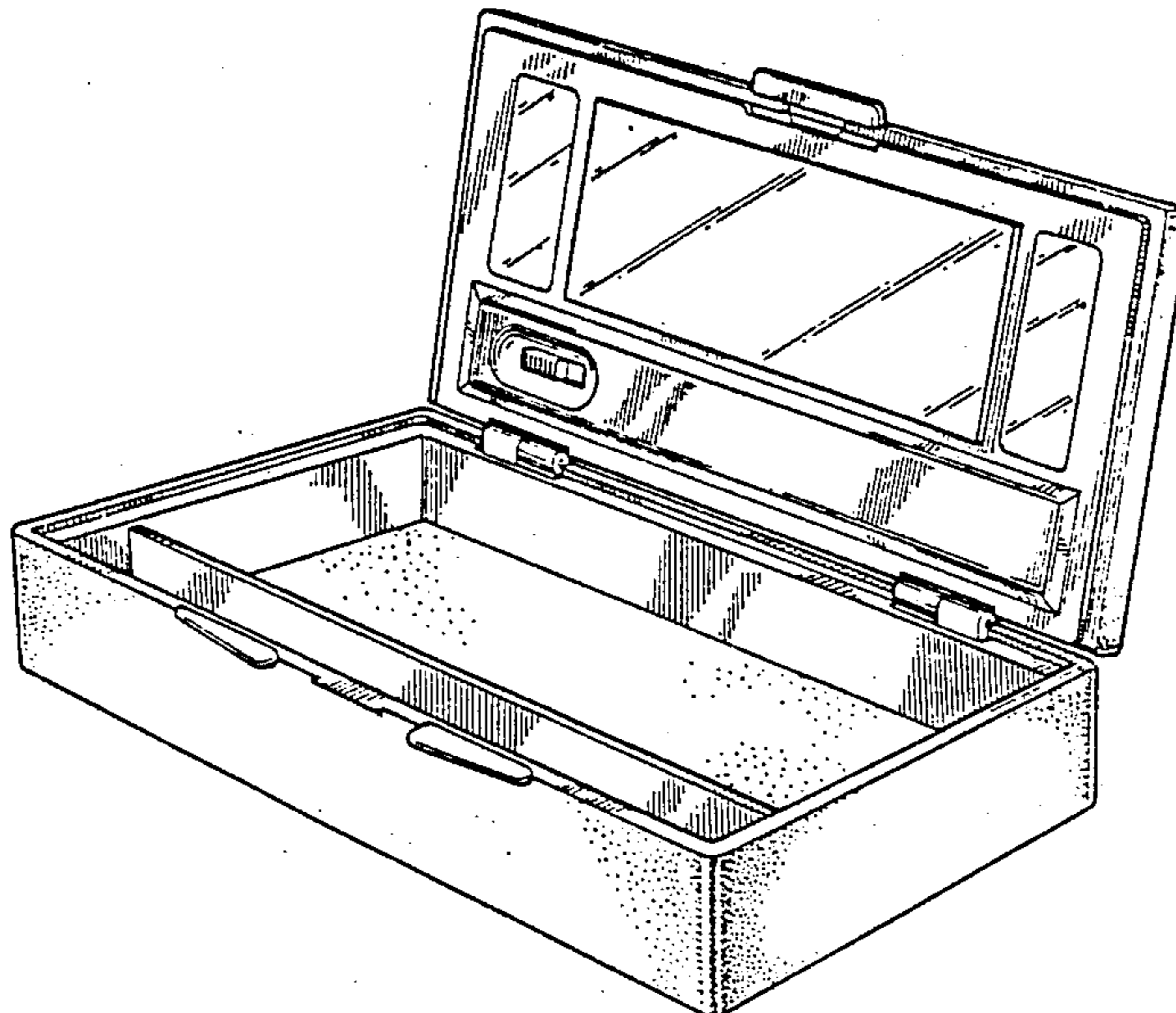
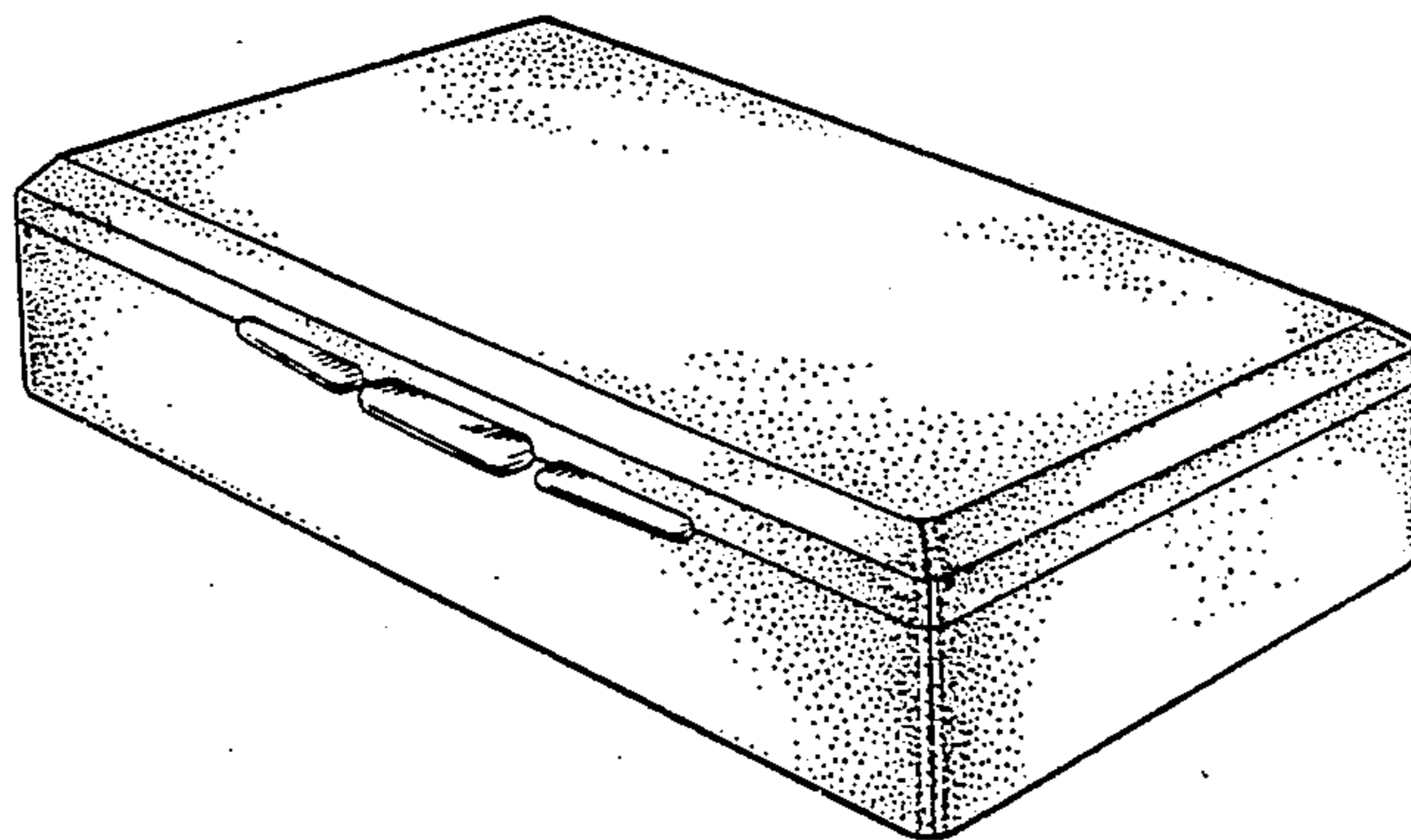
Primary Examiner—Louis S. Zarfes
Attorney, Agent, or Firm—Wells & White

[57] CLAIM

The ornamental design for flip top lighted, vanity mirror for an automobile dash, as shown.

DESCRIPTION

FIG. 1 is a right front perspective view of a flip top, lighted, vanity mirror for an automobile dash, showing my new design in closed position;
FIG. 2 is a right front perspective view thereof with the mirror in open position;
FIG. 3 is a top plan view of FIG. 1;
FIG. 4 is a front elevational view of FIG. 1;
FIG. 5 is a right side elevational view of FIG. 1; and
FIG. 6 is a bottom plan view of FIG. 1.



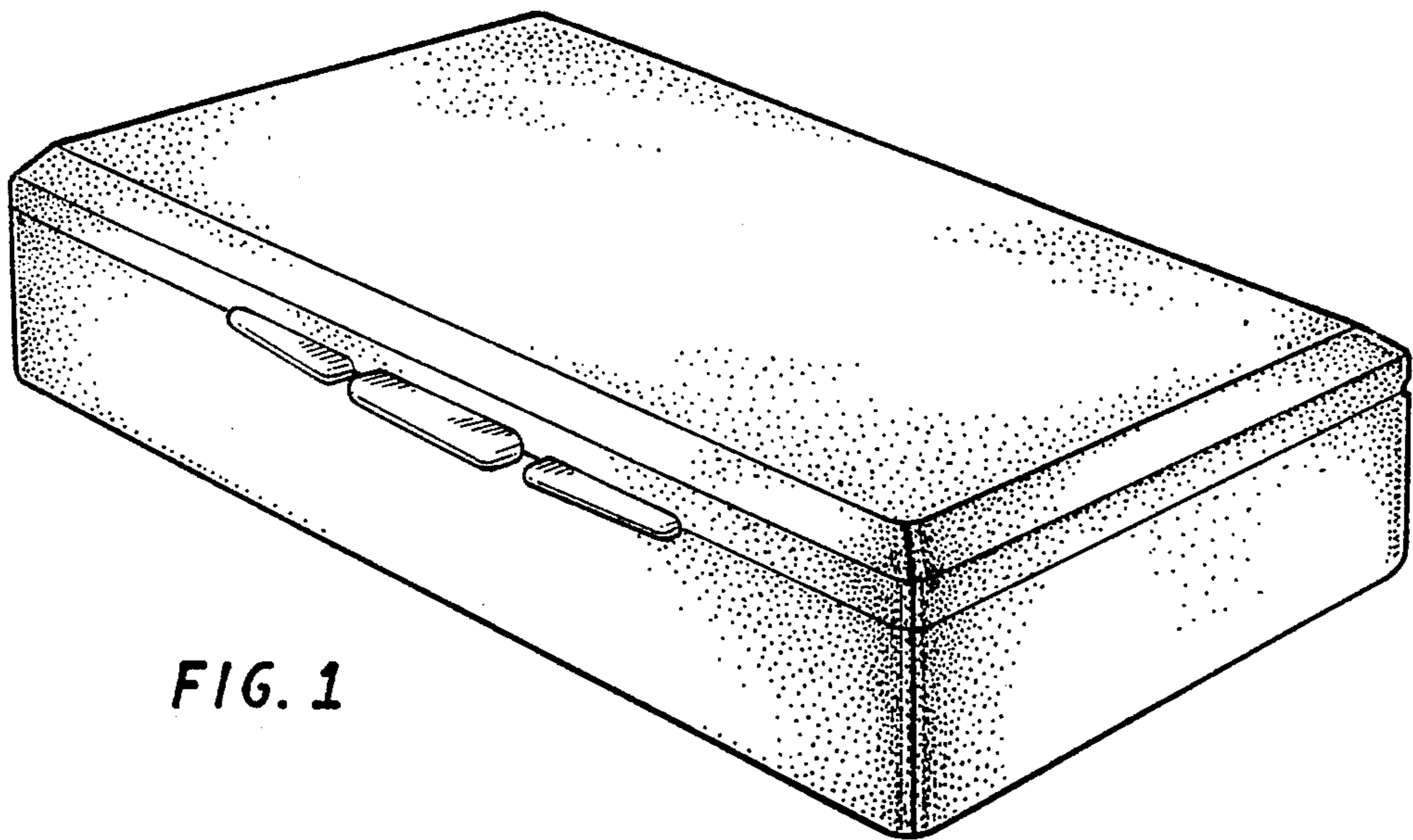


FIG. 1

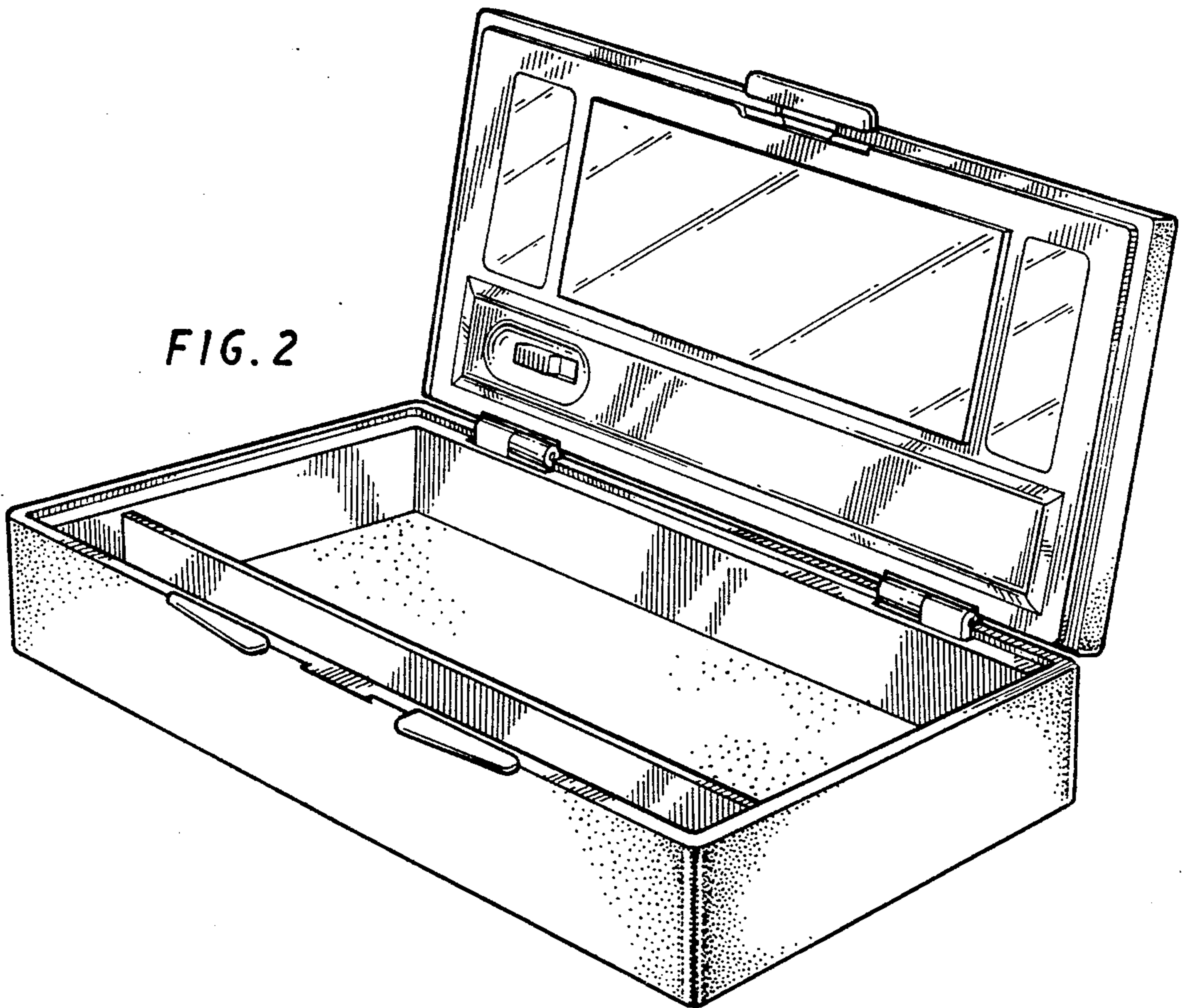


FIG. 2

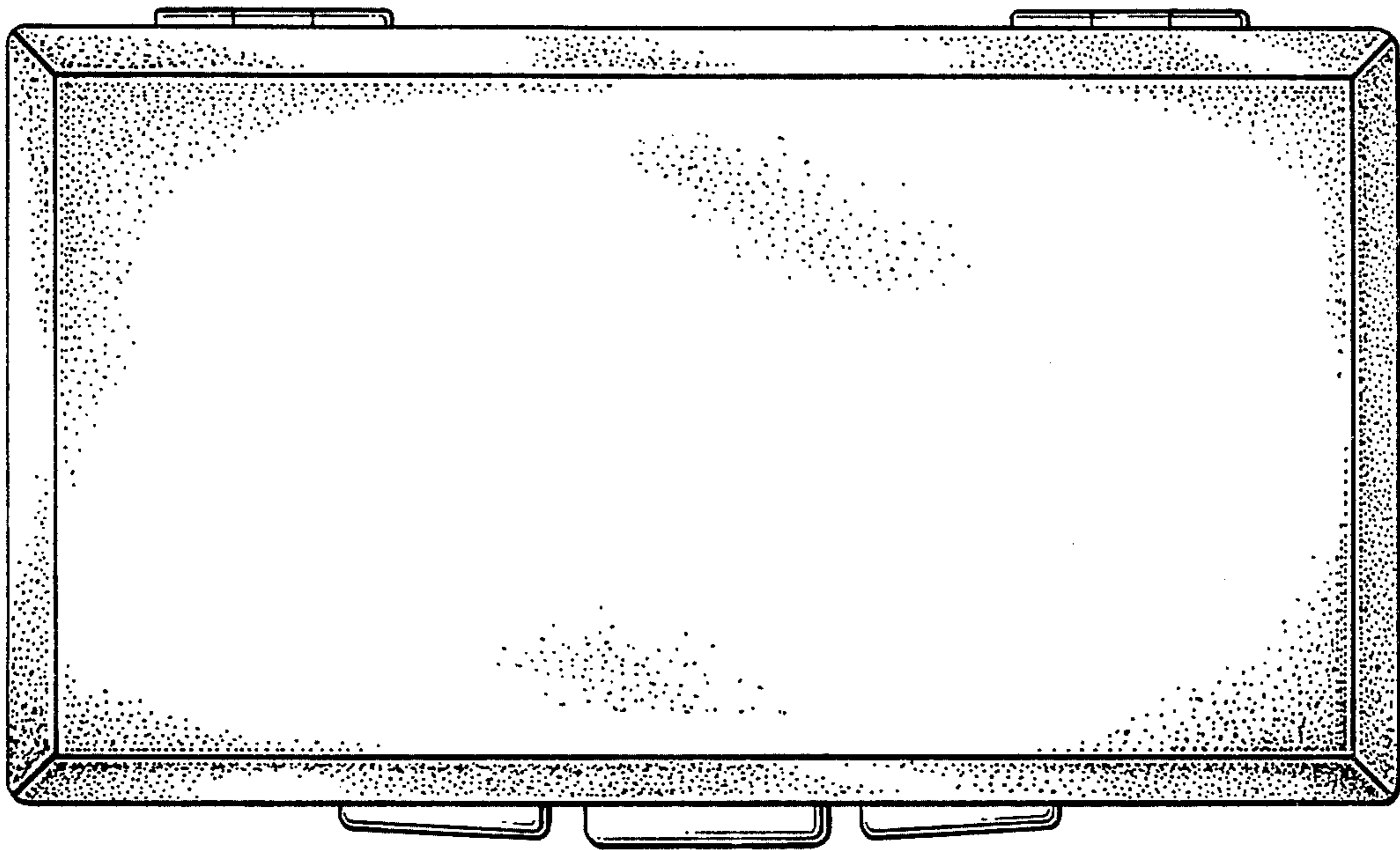


FIG. 3

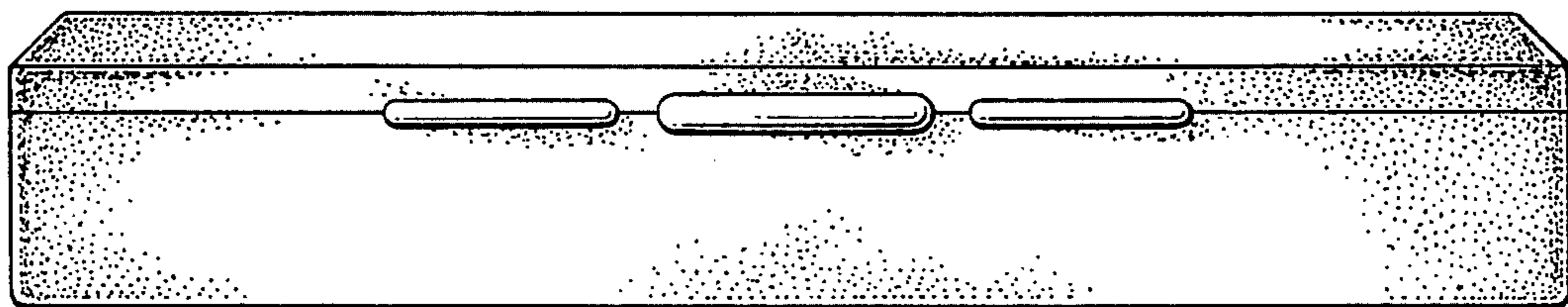


FIG. 4

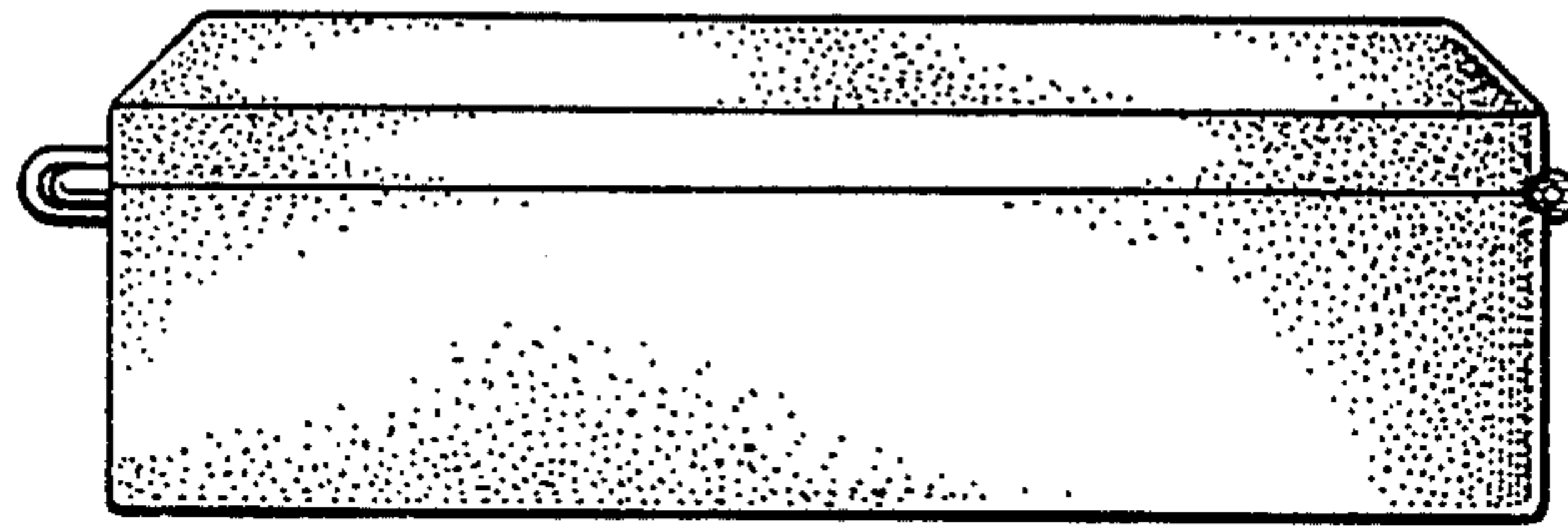


FIG. 5

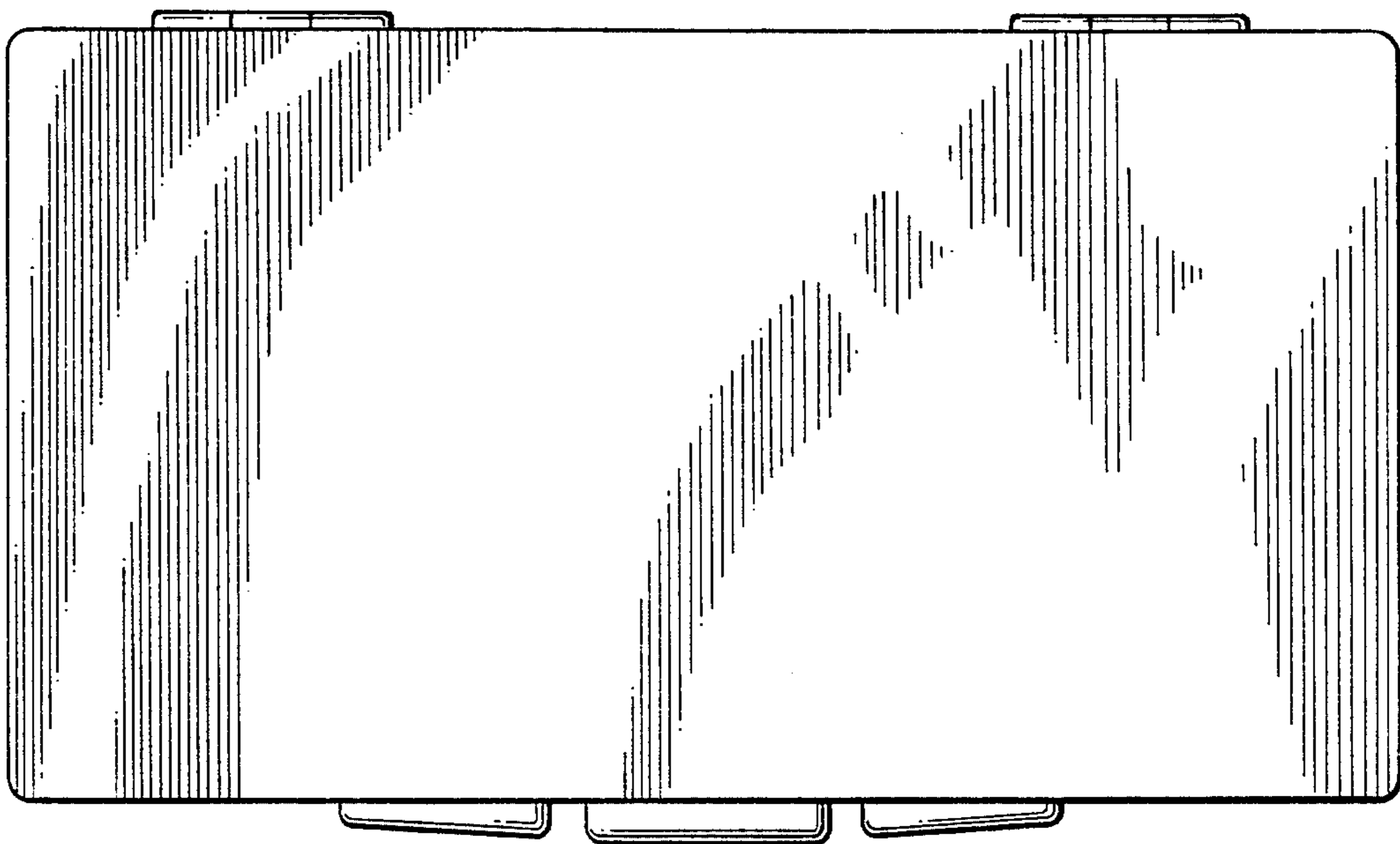


FIG. 6