

[54] **PANTAGRAPH-FORM JACK**

[76] **Inventor: Sinnosuke Oshima, No. 1823,  
Shin-Machi, Tano-Gun,  
Gunma-Ken, Japan**

[\*\*] **Term: 14 Years**

[21] **Appl. No.: 176,027**

[22] **Filed: Mar. 30, 1988**

[52] **U.S. Cl. .... D34/31**

[58] **Field of Search ..... D34/28, 31; 254/126,  
254/122; 280/763.1**

[56] **References Cited**

**U.S. PATENT DOCUMENTS**

2,071,470	2/1937	Marlowe .....	254/122
3,317,187	5/1967	Skeppon .....	254/126
4,732,366	3/1988	Suga .....	254/126
4,765,595	8/1988	Alten .....	254/126
4,836,502	6/1989	Yamauchi .....	254/126

**FOREIGN PATENT DOCUMENTS**

2460233 2/1981 France ..... 280/763.1

*Primary Examiner*—Wallace R. Burke  
*Assistant Examiner*—Kay H. Chin  
*Attorney, Agent, or Firm*—Michael J. Striker

[57] **CLAIM**

The ornamental design for a pantagraph-form jack, as shown and described.

**DESCRIPTION**

FIG. 1 is a front and left side perspective view of a pantagraph-form jack showing my new design, the opposite side being a mirror image of that shown; FIG. 2 is a front elevational view thereof; FIG. 3 is a top plan view thereof; FIG. 4 is a cross-sectional view thereof taken along lines IV—IV of FIG. 3; FIG. 5 is a rear elevational view thereof; FIG. 6 is a bottom plan view thereof.

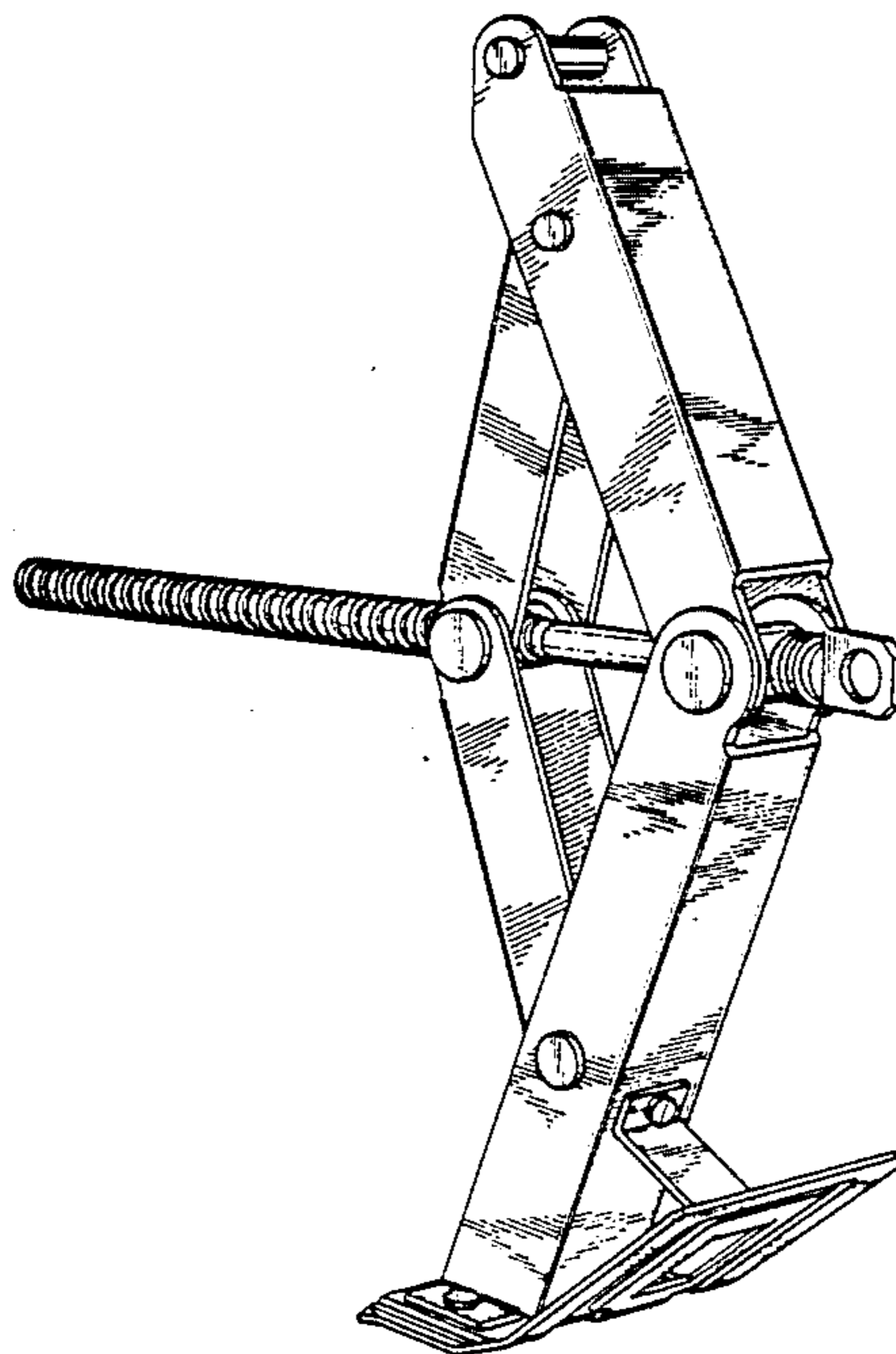


FIG. 1

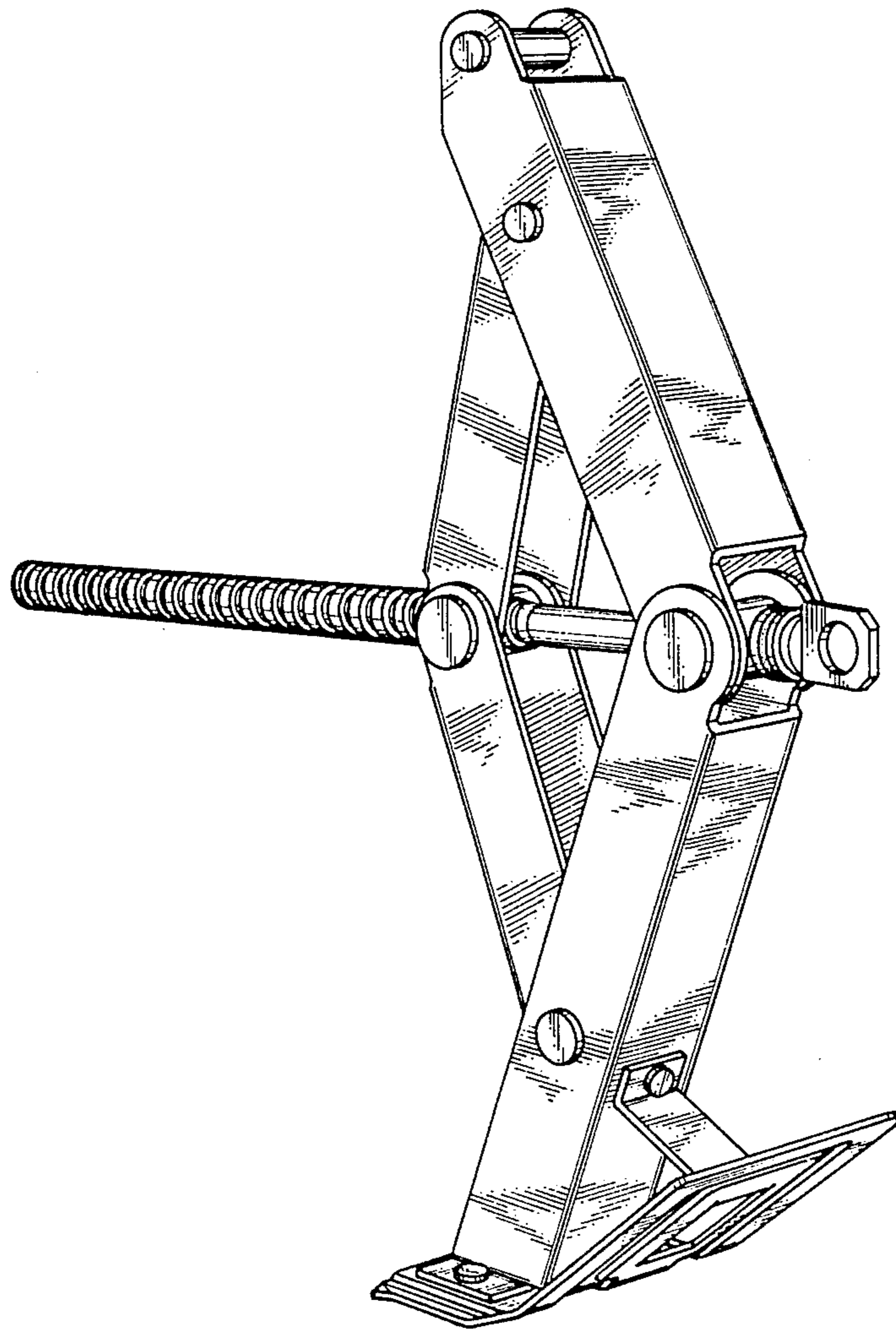


FIG. 2

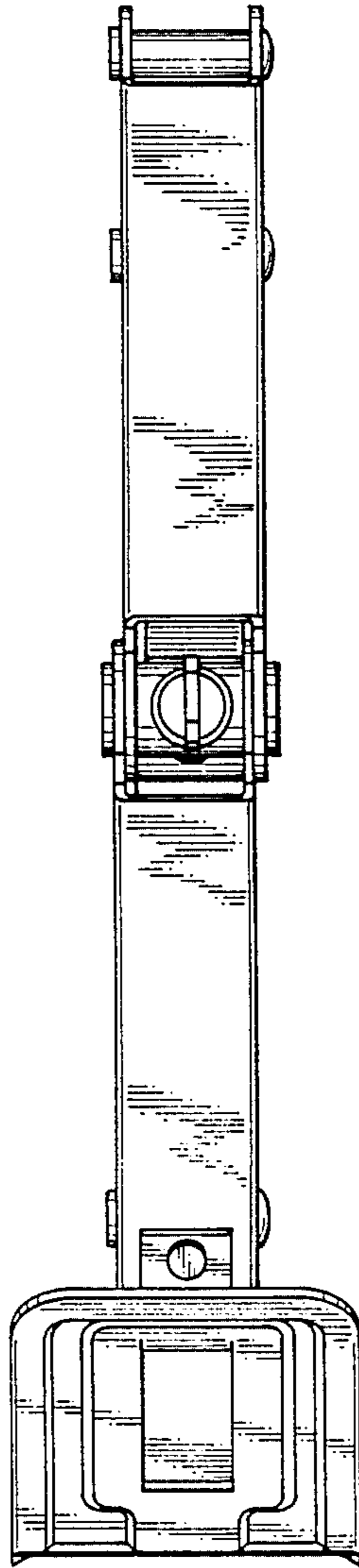


FIG. 3

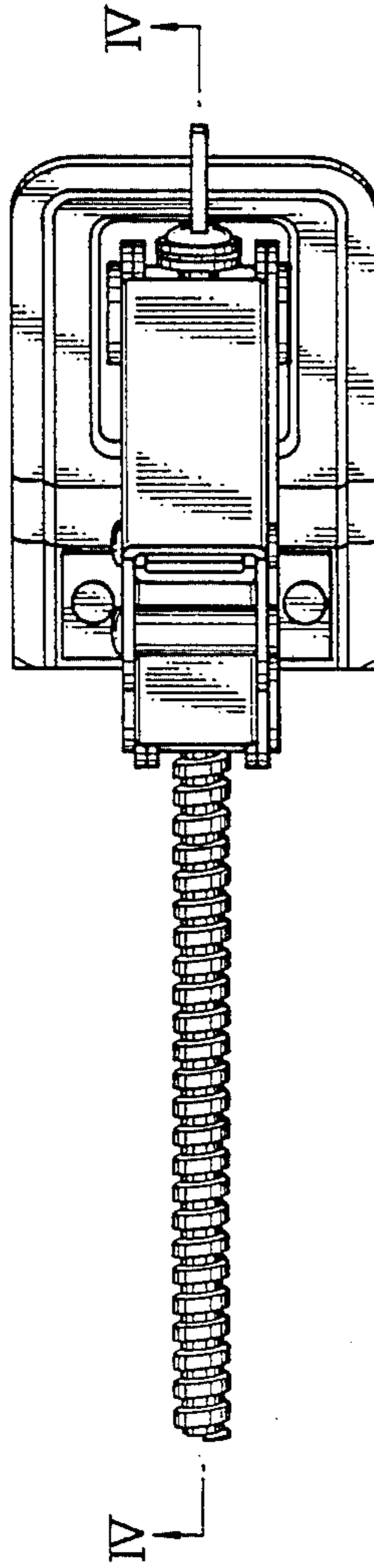


FIG. 4

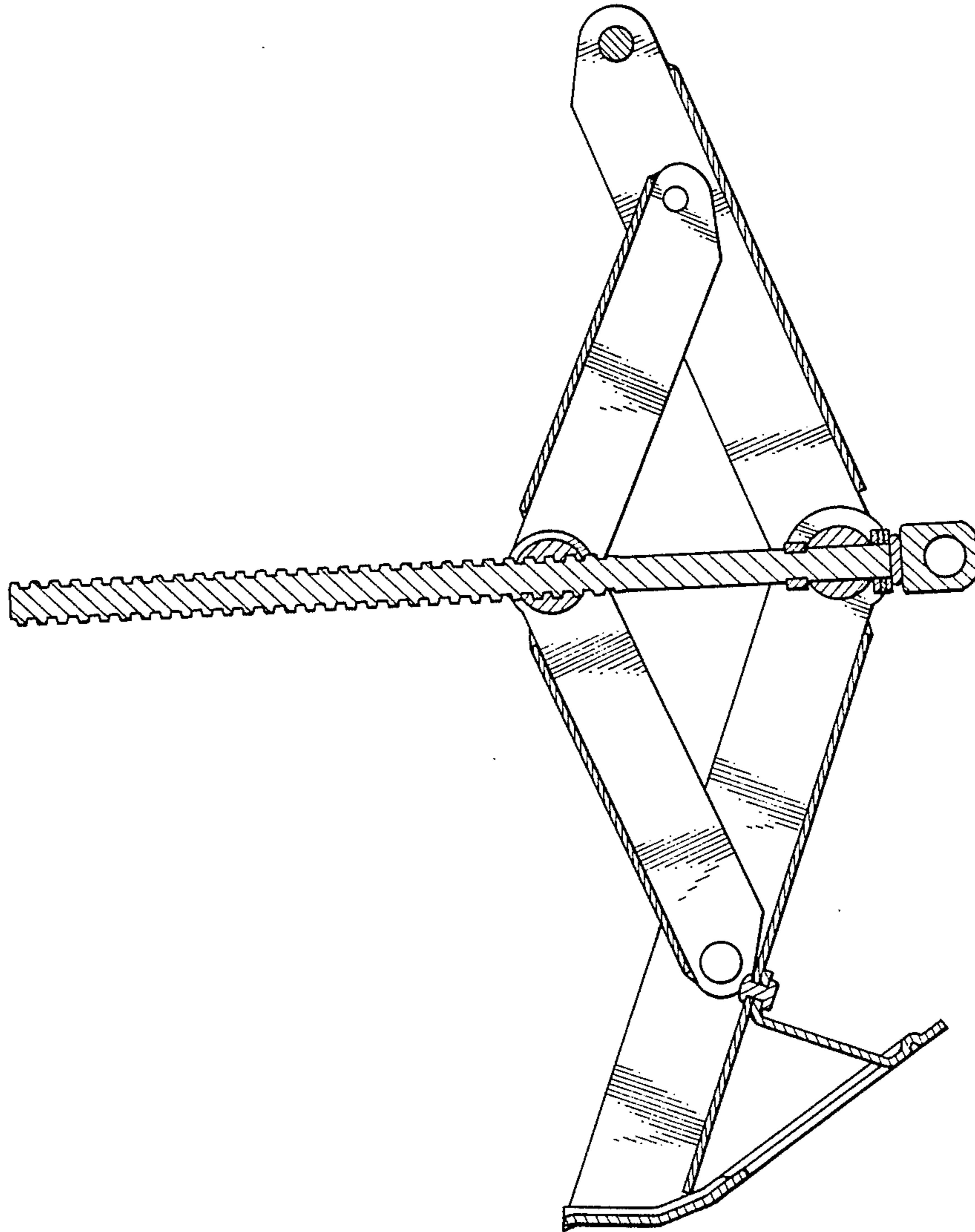


FIG. 5

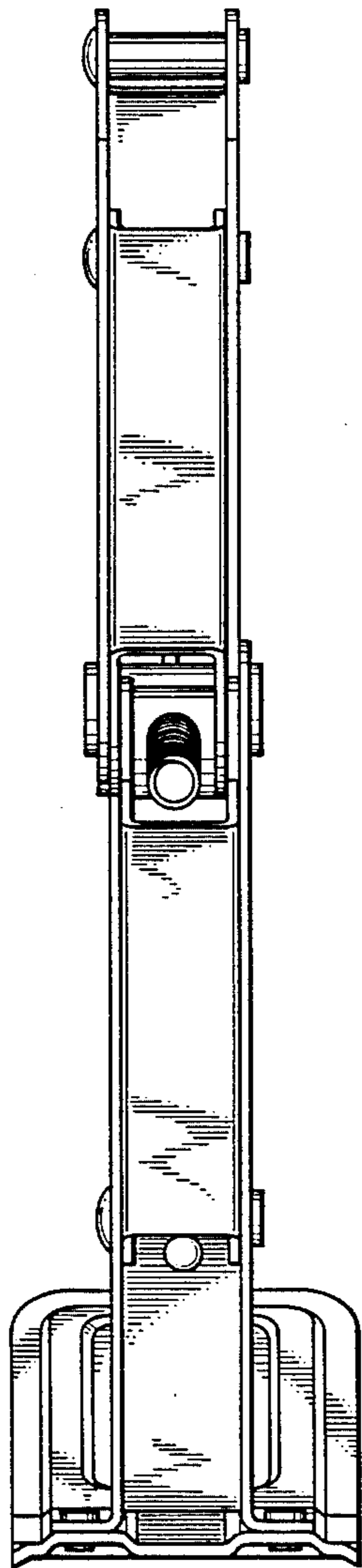


FIG. 6

