

[54] **TRAILER JACK**

[75] **Inventor: Paul R. Bink, Anderson, Ala.**

[73] **Assignee: Contax, Inc., Irondale, Ala.**

[**] **Term: 14 Years**

[21] **Appl. No.: 118,646**

[22] **Filed: Nov. 9, 1987**

[52] **U.S. Cl. D34/31**

[58] **Field of Search D34/28, 31; 254/86 R,
254/94; 248/351, 352; 280/478 R, 475**

[56] **References Cited**

U.S. PATENT DOCUMENTS

2,001,467	5/1935	Madigan	254/94
3,298,665	1/1967	Steloff	254/94
3,863,894	2/1975	Manst et al.	254/86 R
4,537,416	8/1985	Linaburg	254/94

FOREIGN PATENT DOCUMENTS

2389521 1/1979 France 248/352

Primary Examiner—Susan J. Lucas

Assistant Examiner—Kay H. Chin

Attorney, Agent, or Firm—C. A. Phillips

[57] **CLAIM**

The ornamental design for a trailer jack, as shown and described.

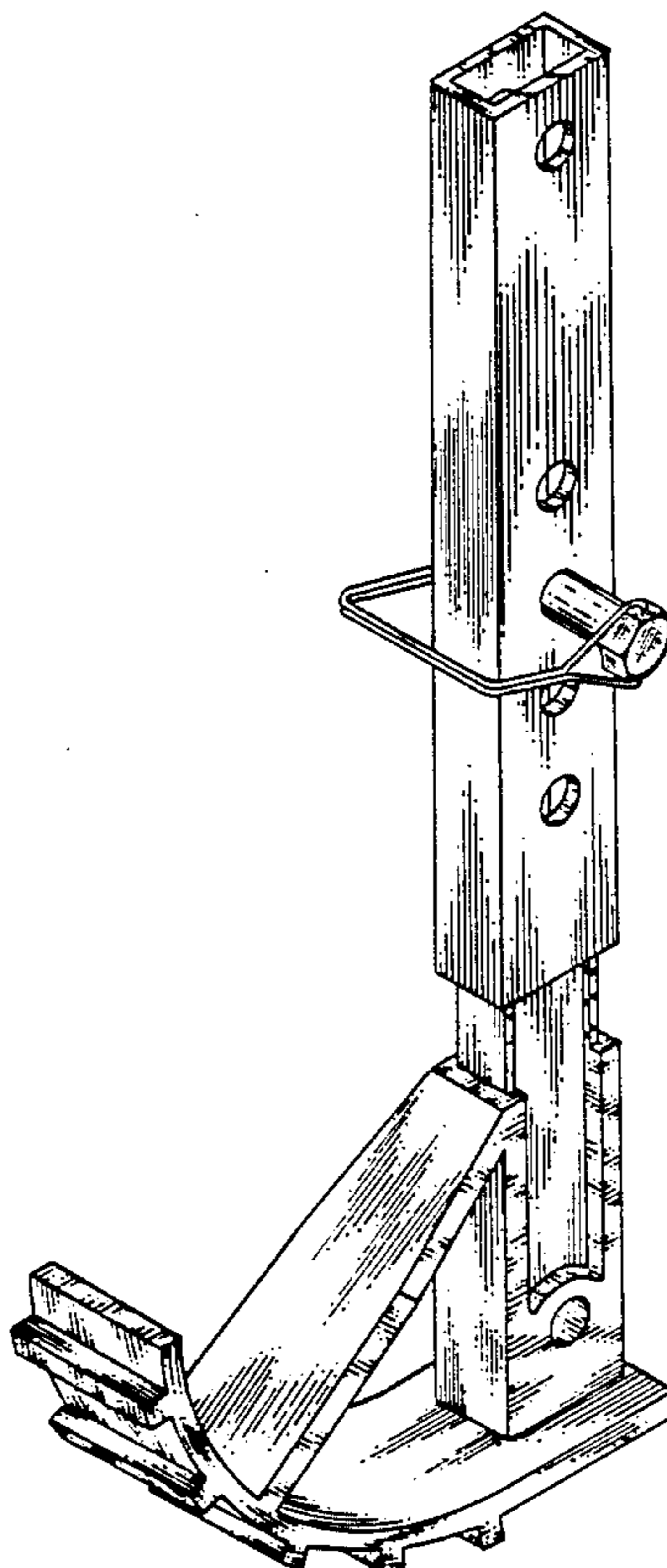
DESCRIPTION

FIG. 1 is a front and top perspective view of a trailer jack showing my new design, the broken lines are for illustrative purposes only and form no part of the claimed design;

FIG. 2 is an exploded bottom and left side perspective view thereof;

FIG. 3 is an exploded bottom and right side perspective view thereof;

FIG. 4 is a rear and top perspective view thereof; and
FIG. 5 is a front elevational view thereof.



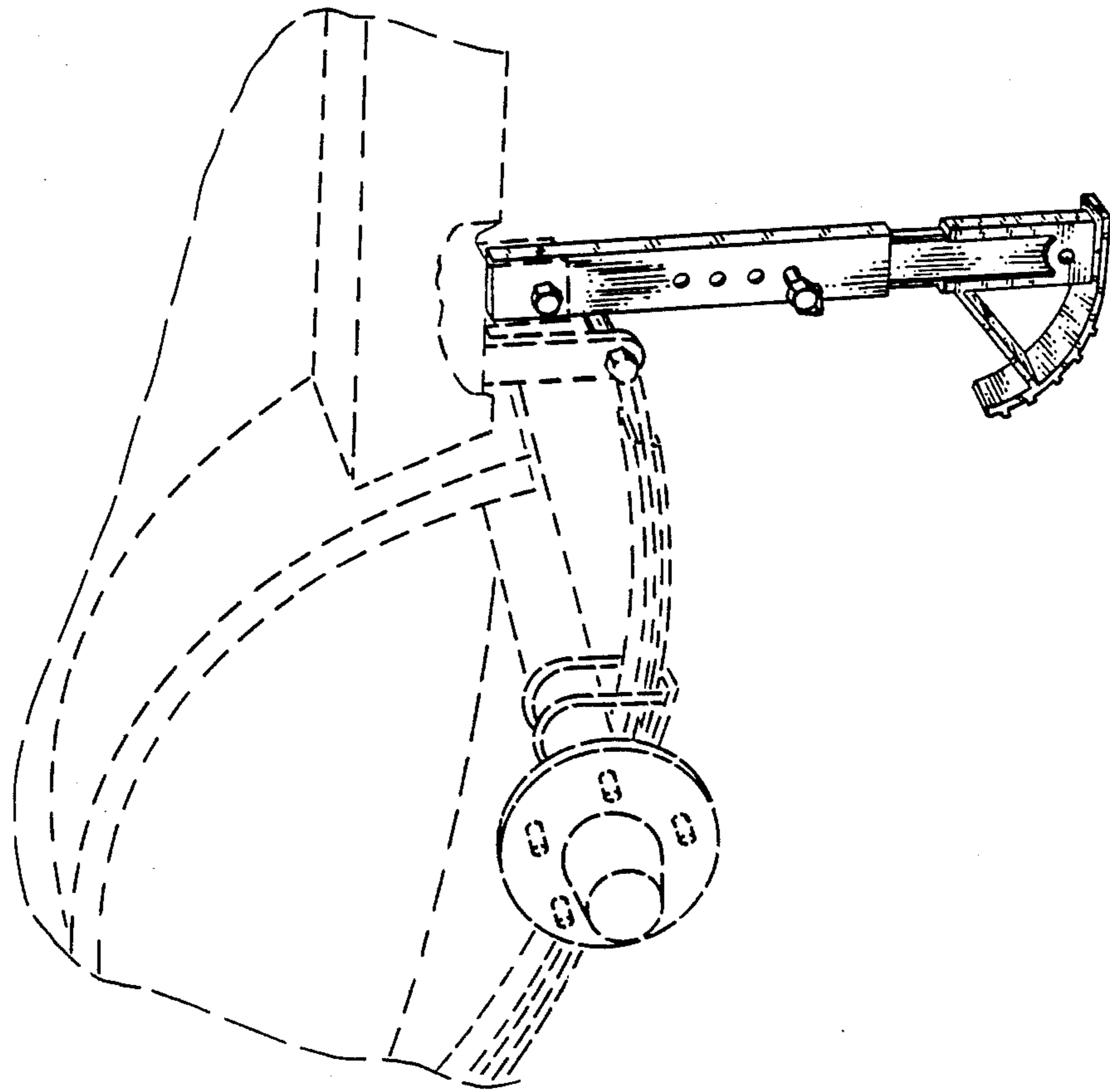


FIG. 1

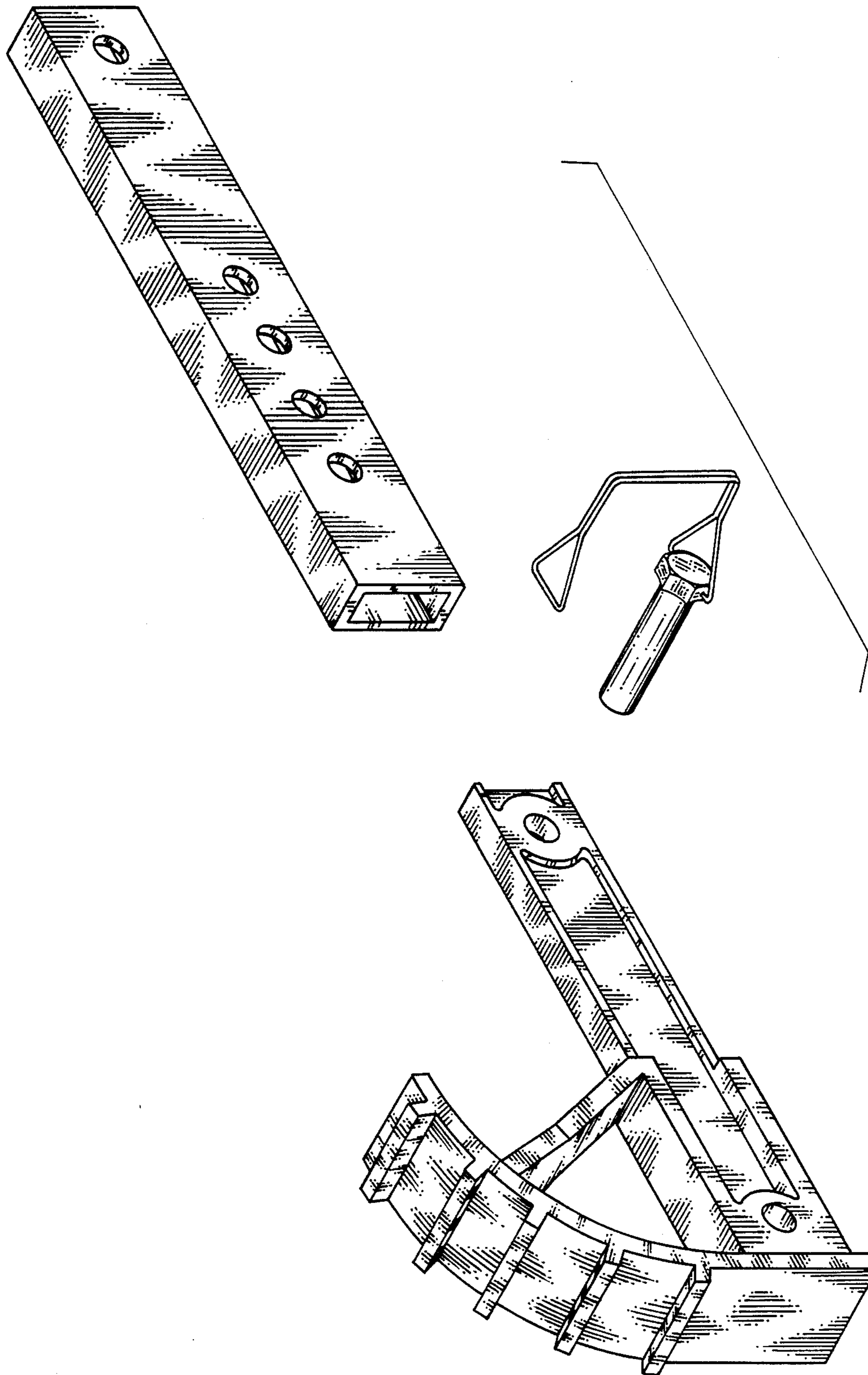


FIG. 2

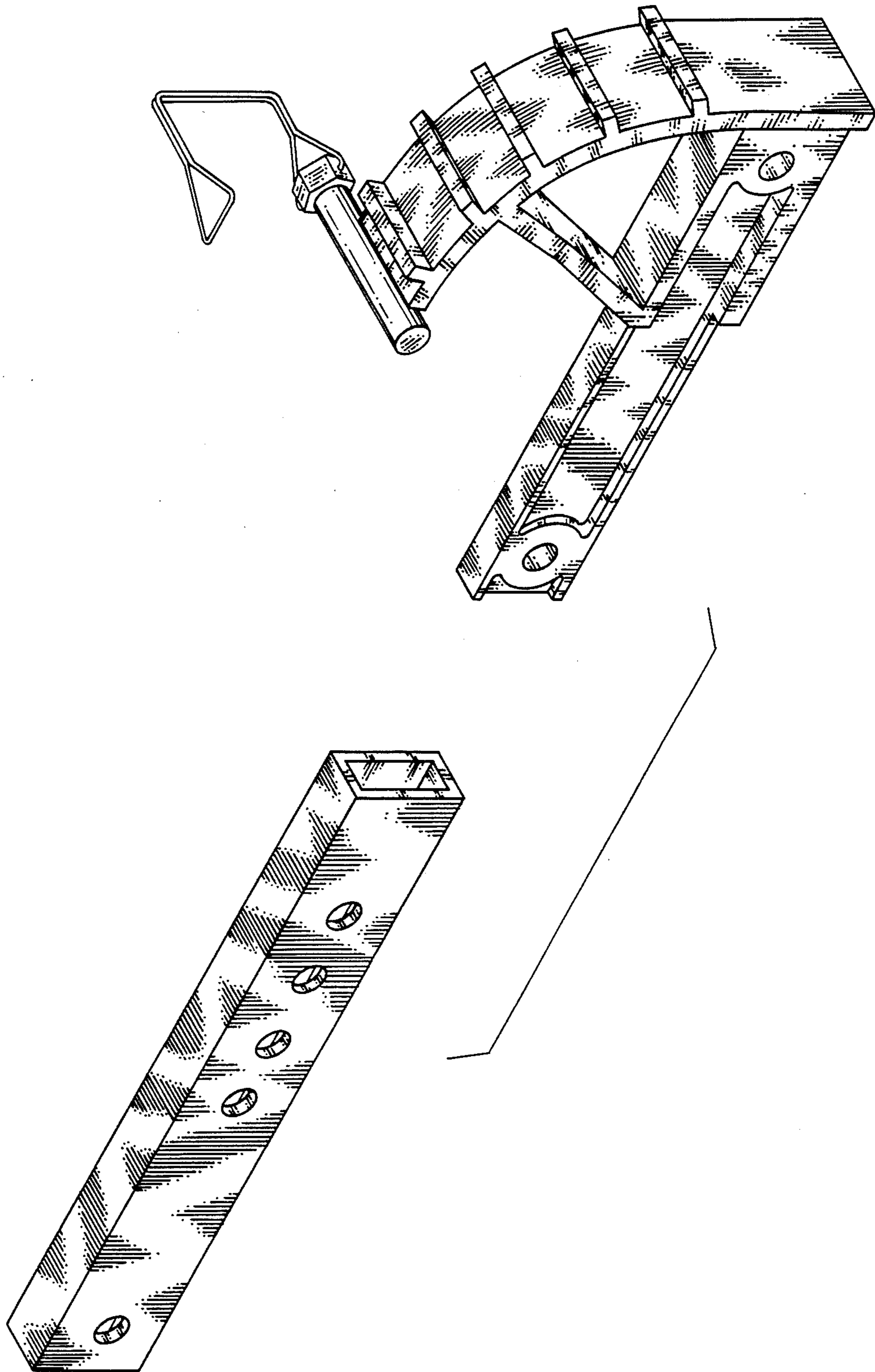


FIG. 3

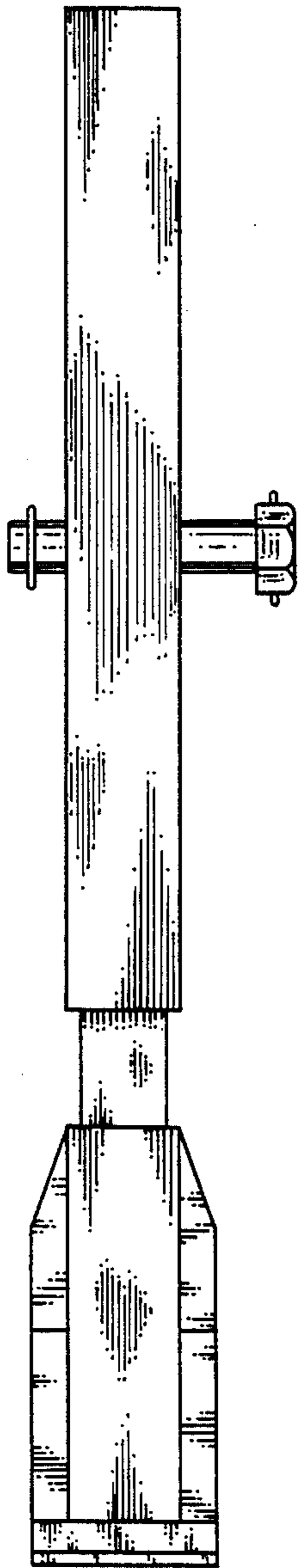


FIG. 5

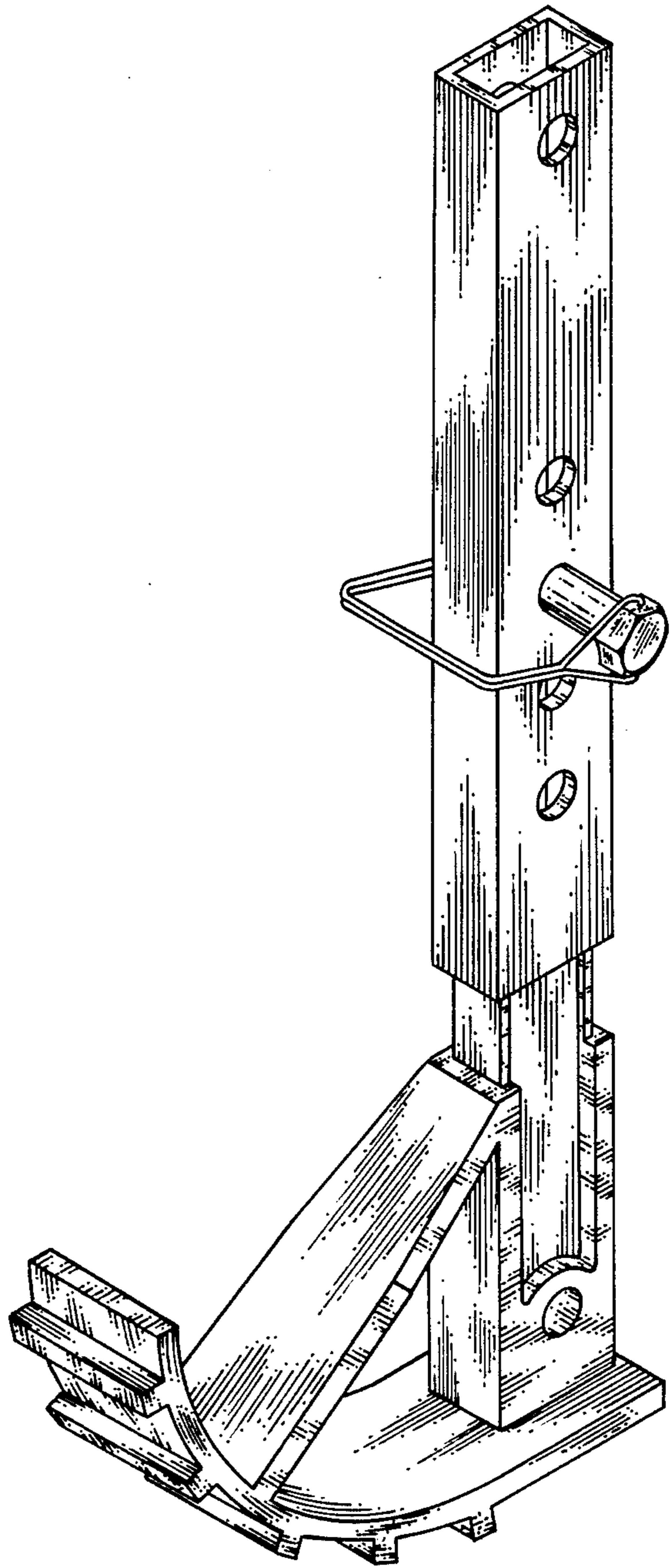


FIG. 4