

[54] **DOLLY EXTENSION FOR MOBILE CART**  
[75] **Inventor: Eric Gingras, Junction City, Va.**  
[73] **Assignee: Rubbermaid Commercial Products Inc., Winchester, Va.**  
[\*\*] **Term: 14 Years**  
[21] **Appl. No.: 200,295**  
[22] **Filed: May 31, 1988**  
[52] **U.S. Cl. .... D34/27; D34/23**  
[58] **Field of Search .... D34/12, 27, 23; 280/79.11, 47.15, 79.5, 79.1 A**

[56] **References Cited**

**U.S. PATENT DOCUMENTS**

D. 257,139 9/1980 Bigge ..... D34/17  
D. 269,215 5/1983 Caine ..... D34/17  
4,127,202 11/1978 Jennings et al. .... 280/79.11  
4,542,909 9/1985 Littwin et al. .... 280/79.11  
4,557,201 12/1985 Webb, Jr. .... 280/79.11

**OTHER PUBLICATIONS**

Pg. 21 and 23, Continental Manufacturing, a Division of

Contico International, 123 Byassee Dr., Hazelwood, Missouri 63042, publication date 1988.

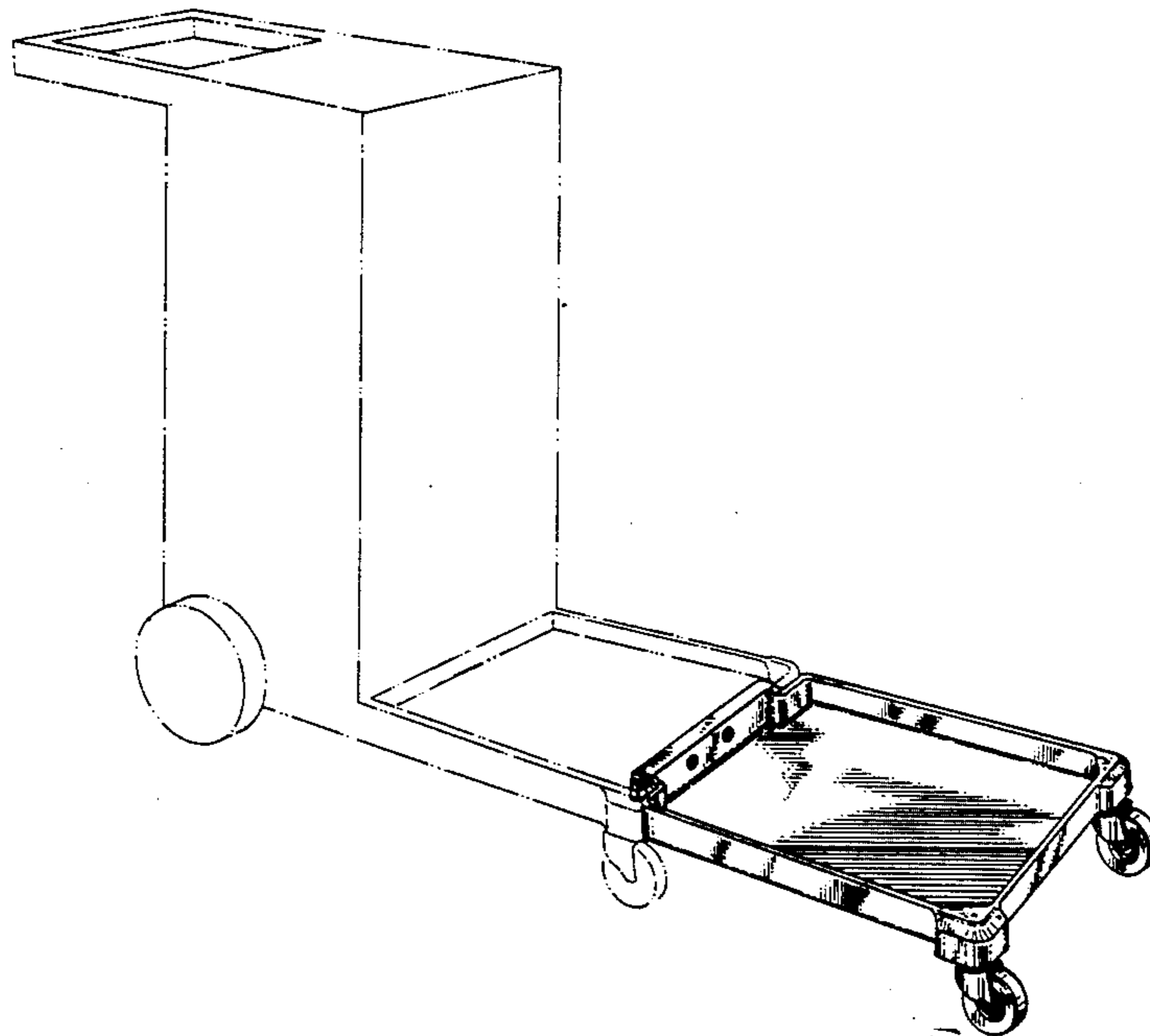
*Primary Examiner*—Wallace R. Burke  
*Assistant Examiner*—Kay H. Chin  
*Attorney, Agent, or Firm*—Richard B. O’Planick

[57] **CLAIM**

The ornamental design for a dolly extension for mobile cart, as shown and described.

**DESCRIPTION**

FIG. 1 is a front and top perspective view of a dolly extension for mobile cart showing my new design, the broken lines are for illustrative purposes only and form no part of the claimed design;  
FIG. 2 is a front elevational view thereof.  
FIG. 3 is a side elevational view thereof, the opposite side view being a mirror image of that shown;  
FIG. 4 is a top plan view thereof.  
FIG. 5 is a rear elevational view thereof.  
FIG. 6 is a rear perspective view thereof.  
FIG. 7 is a bottom plan view thereof.



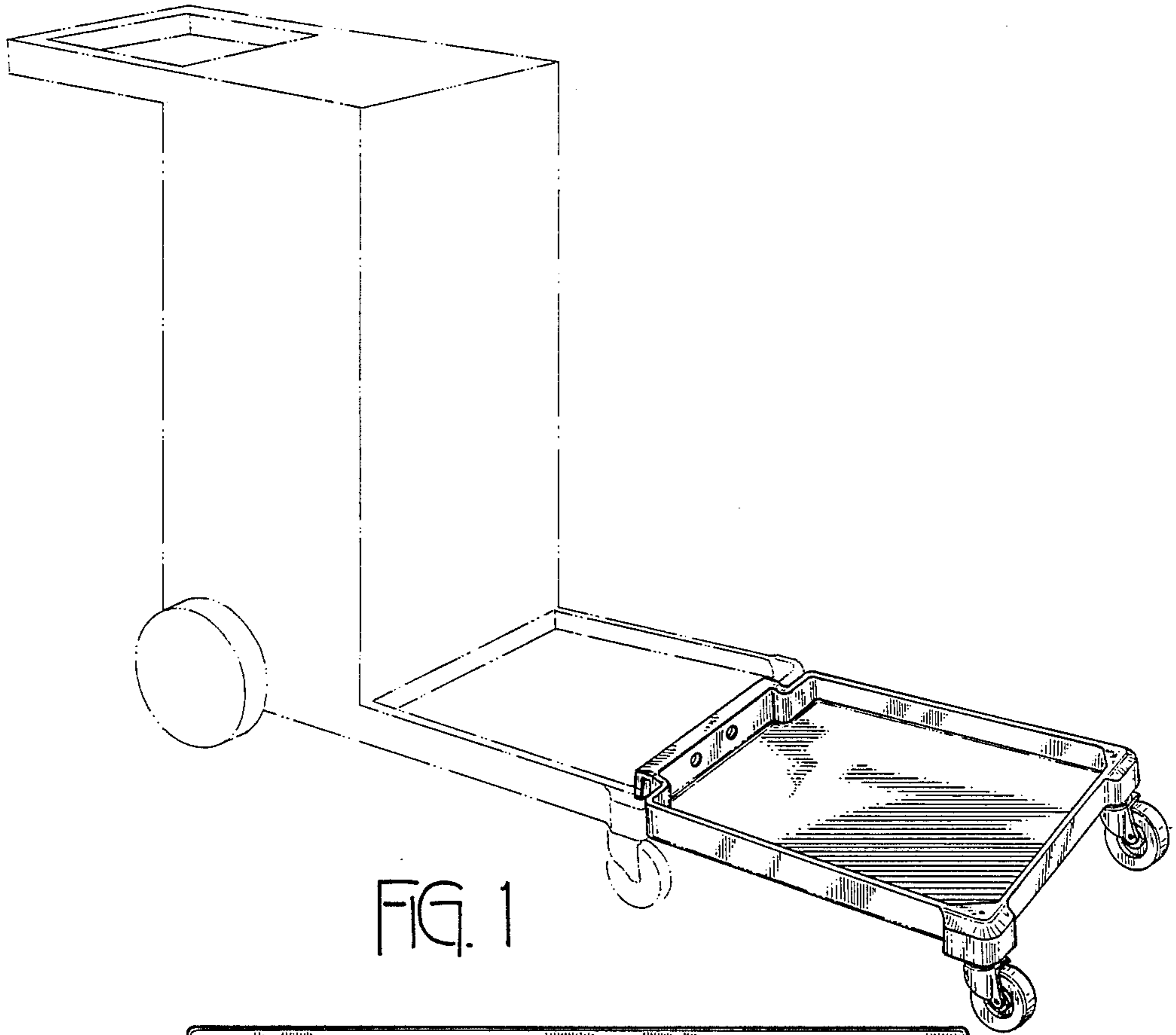


FIG. 1

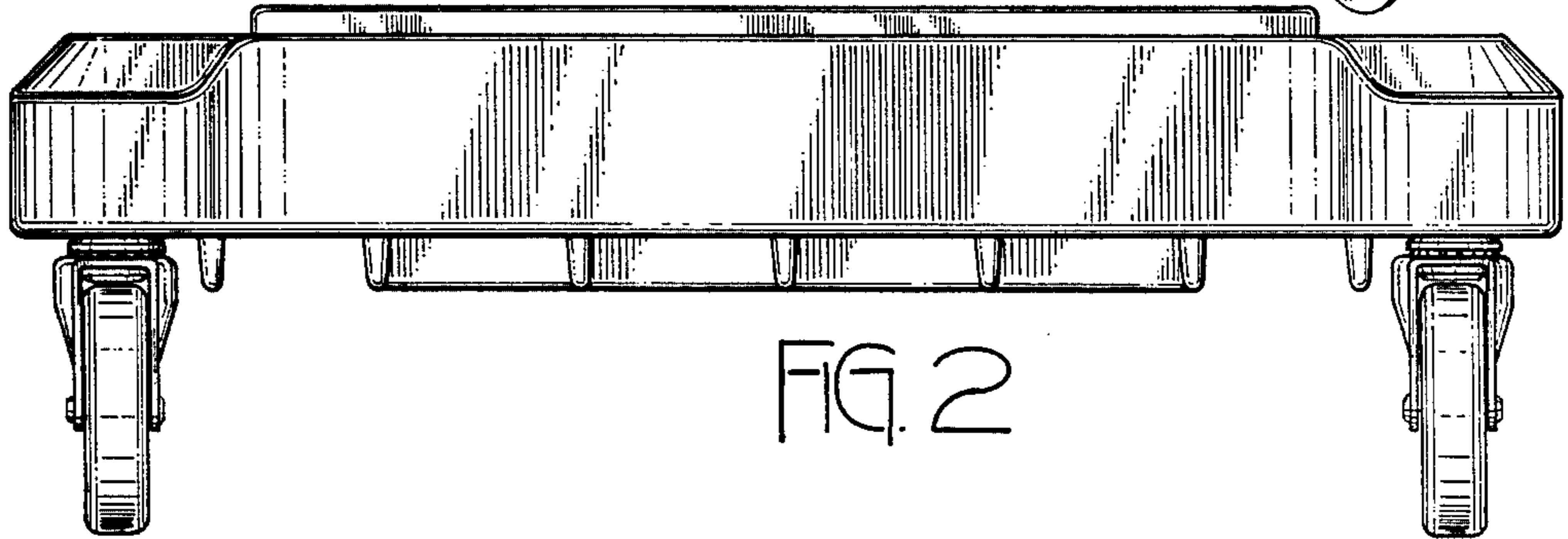


FIG. 2

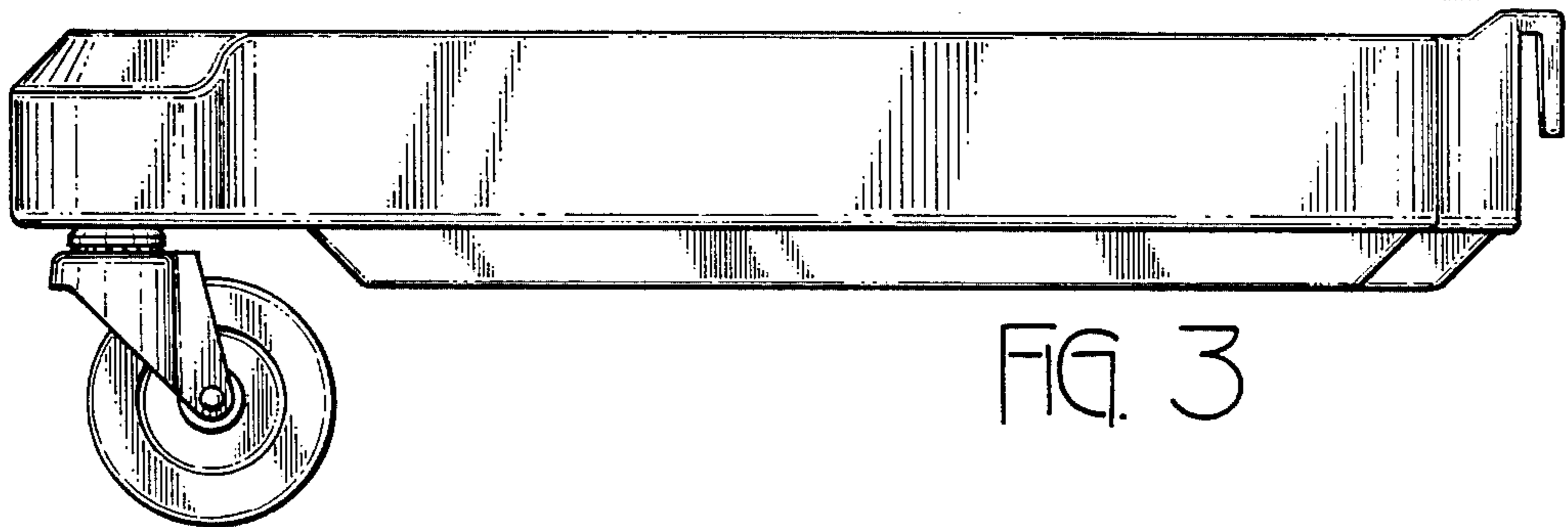


FIG. 3

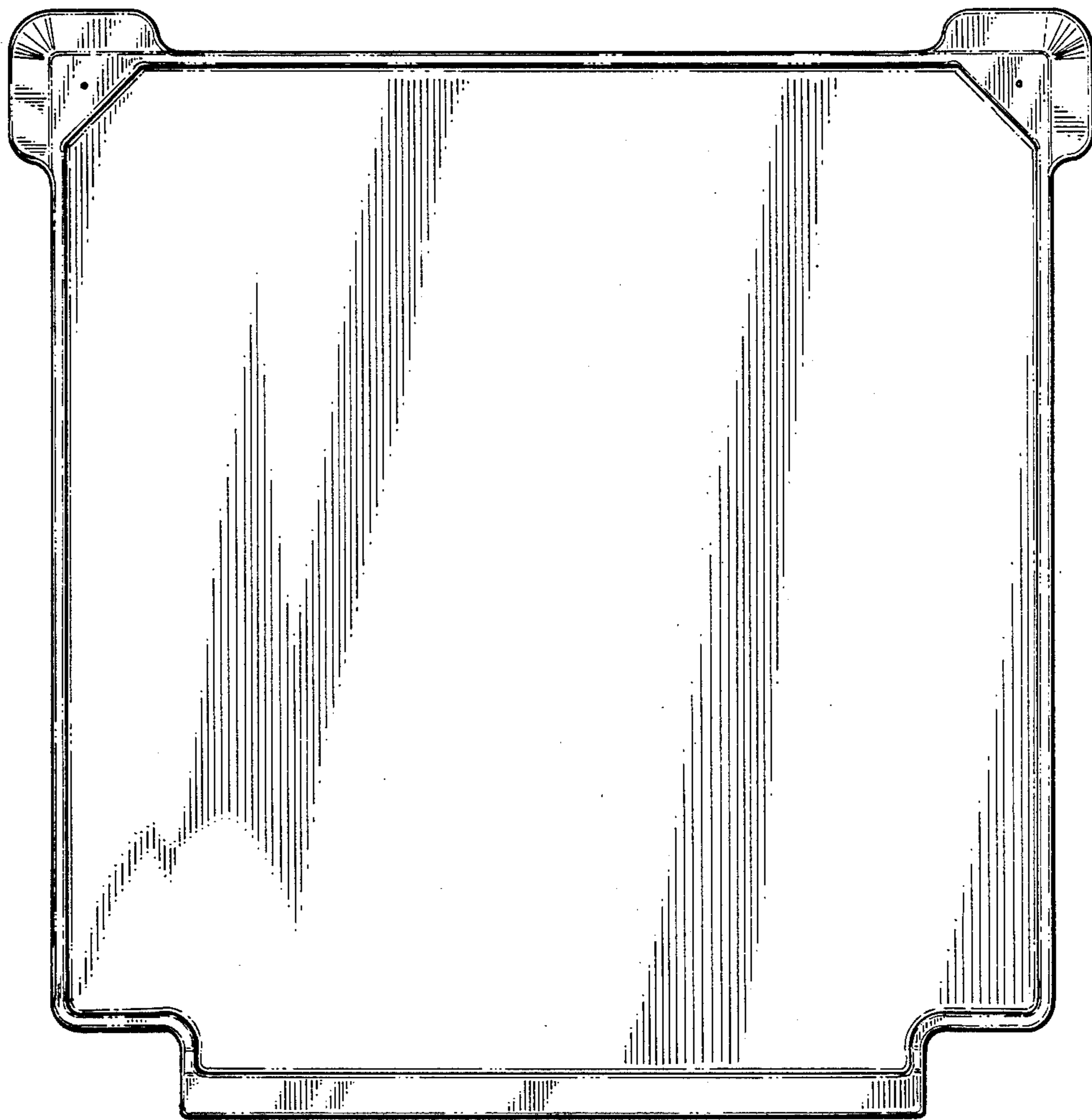


FIG. 4

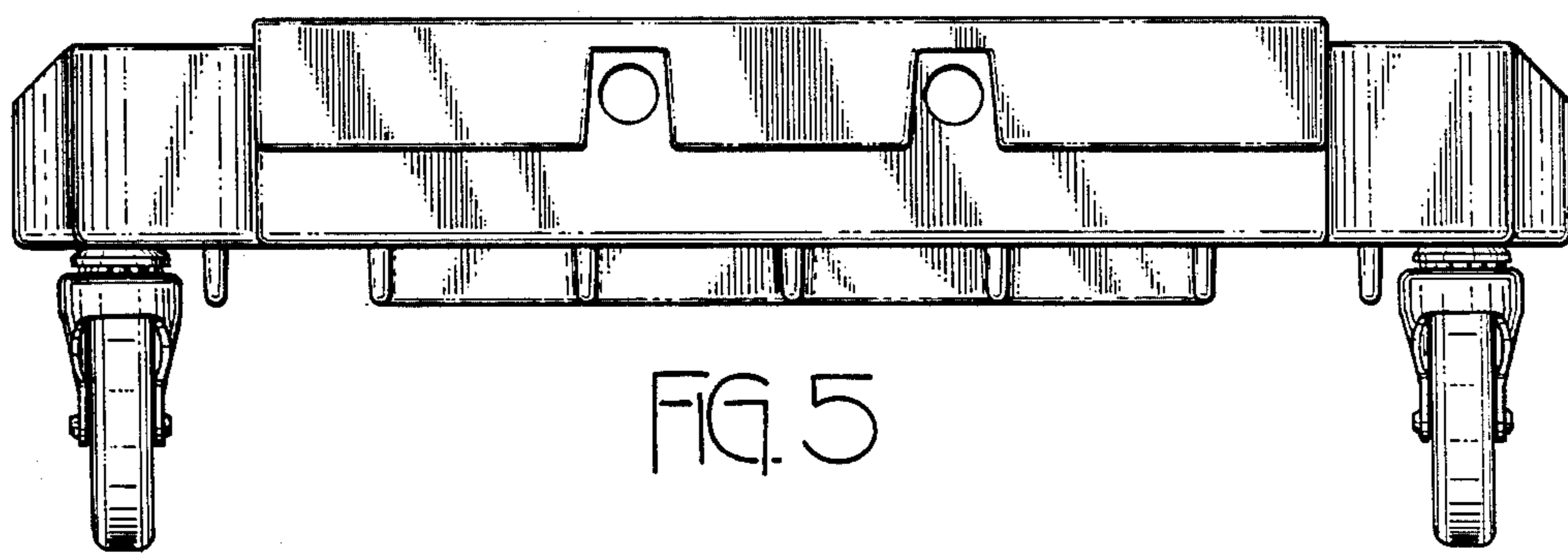


FIG. 5

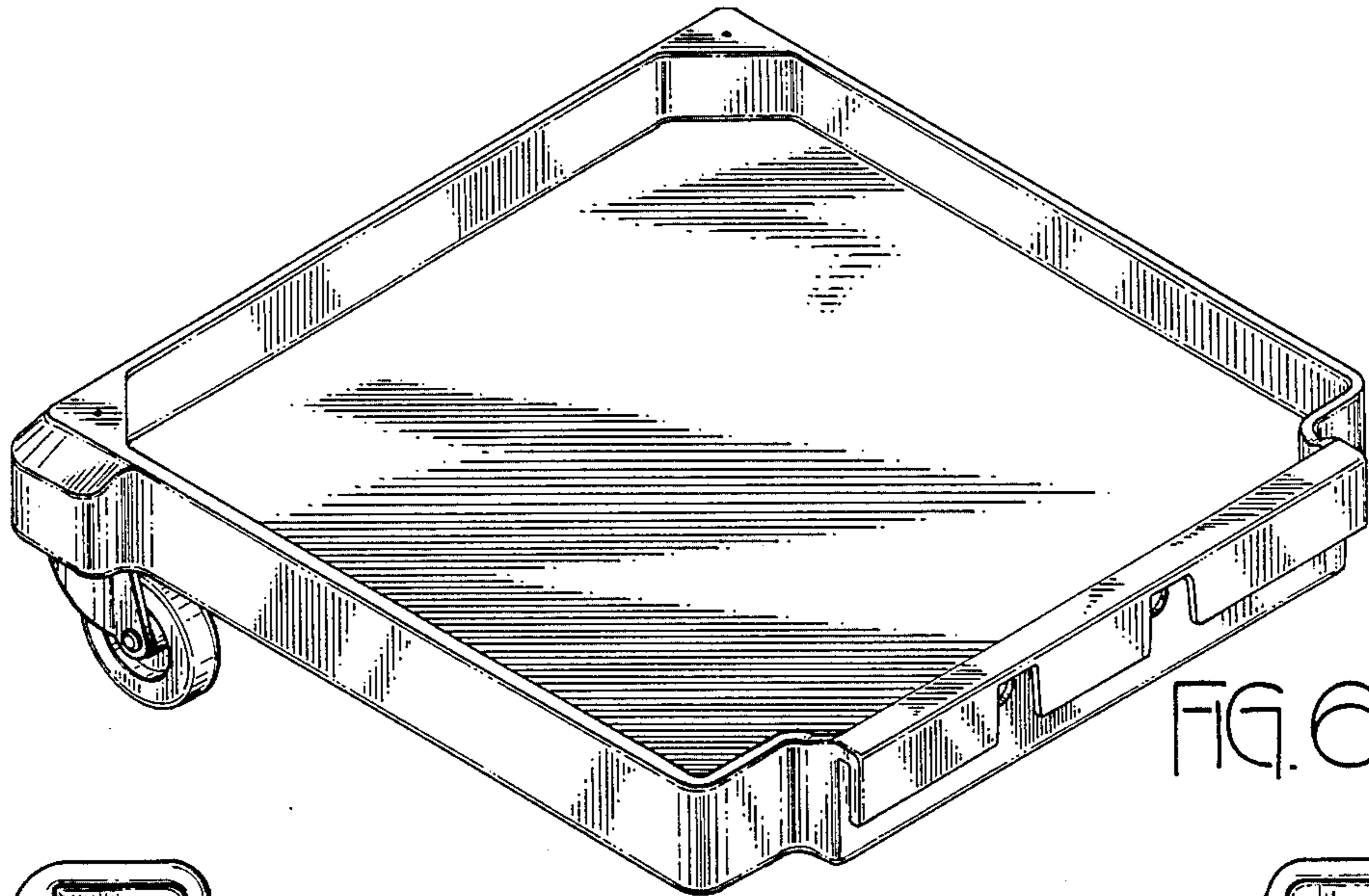


FIG. 6

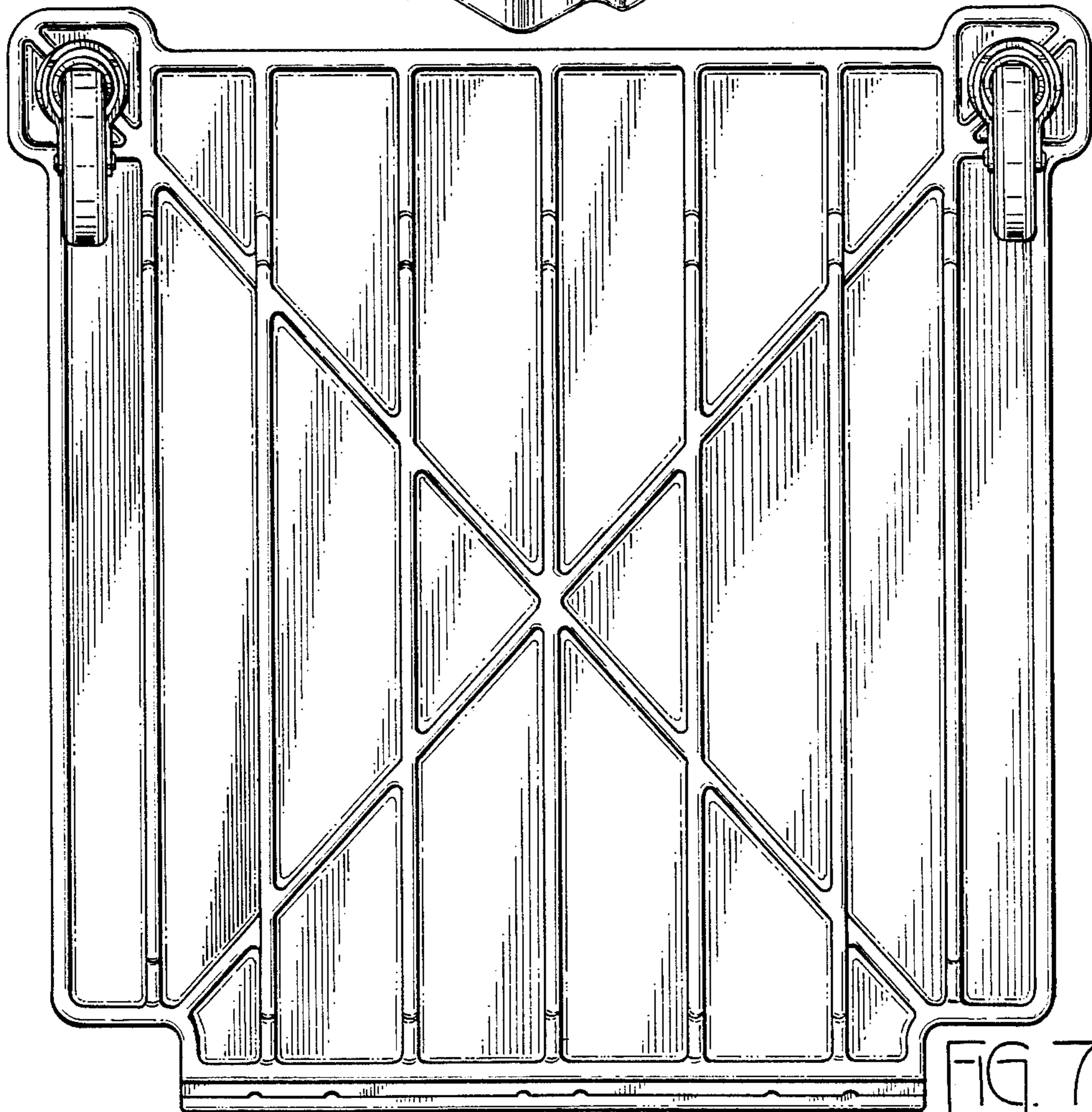


FIG. 7