

[54] BUCKET DOLLY

[76] Inventor: Vincent J. Terrizzi, P.O. Box 100, Nicktown, Pa. 15762

[**] Term: 14 Years

[21] Appl. No.: 113,768

[22] Filed: Oct. 26, 1987

[52] U.S. Cl. D34/23; D34/27

[58] Field of Search D34/23, 27, 12; 280/79.5, 79.2, 79.3, 79.11; 248/129

[56] References Cited

U.S. PATENT DOCUMENTS

D. 269,216	5/1983	Greenheck	D34/23
D. 276,948	12/1984	Wacek et al.	D34/23
1,328,458	1/1920	Schiek	280/79.2
2,707,351	5/1955	Walker	280/79.2
2,920,902	1/1960	Scott	280/79.2
2,947,548	8/1960	Bard	280/79.2

Primary Examiner—Wallace R. Burke
Assistant Examiner—Kay H. Chin
Attorney, Agent, or Firm—Jon M. Lewis

[57] CLAIM

The ornamental design for a bucket dolly, as shown and described.

DESCRIPTION

FIG. 1 is a top perspective view of a bucket dolly showing my new design, the casters being removed for convenience of illustration;

FIG. 2 is a top plan view of FIG. 1;

FIG. 3 is a left side elevational view of FIG. 1;

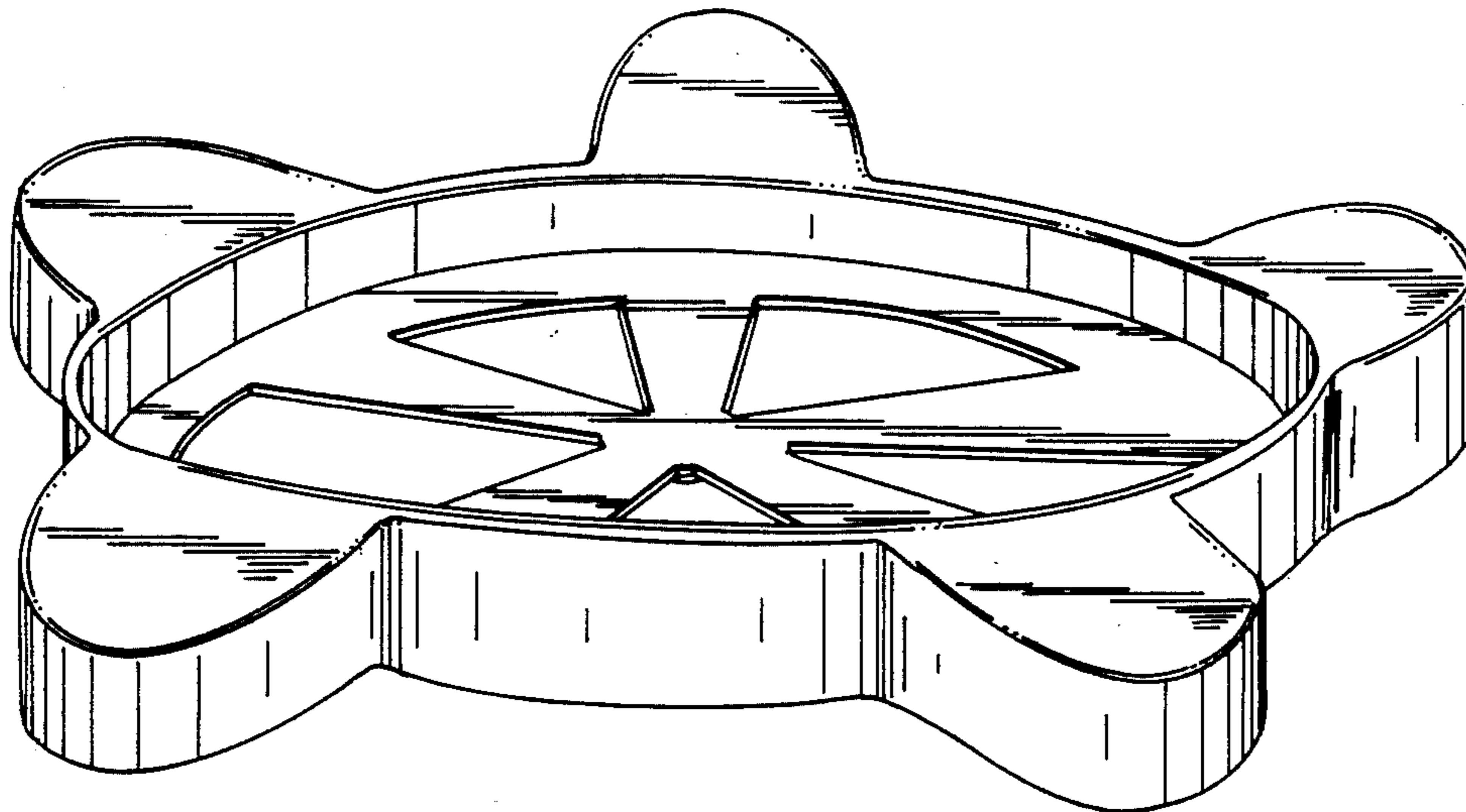
FIG. 4 is a right side elevational view of FIG. 1;

FIG. 5 is a bottom plan view of FIG. 1;

FIG. 6 is a left side elevational view thereof with casters attached;

FIG. 7 is a right side elevational view of FIG. 6; and

FIG. 8 is a bottom plan view of FIG. 6.



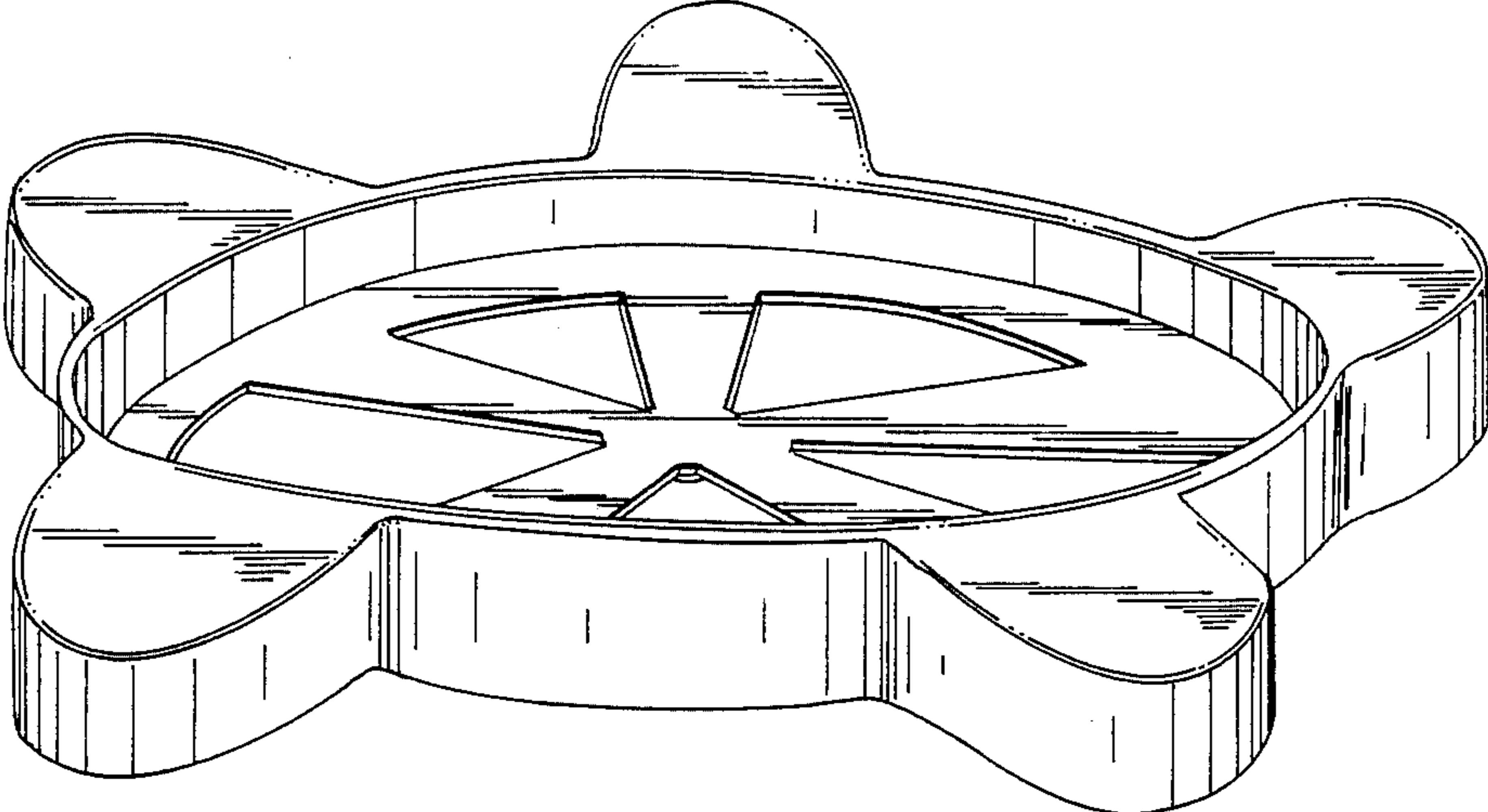


Fig. 1

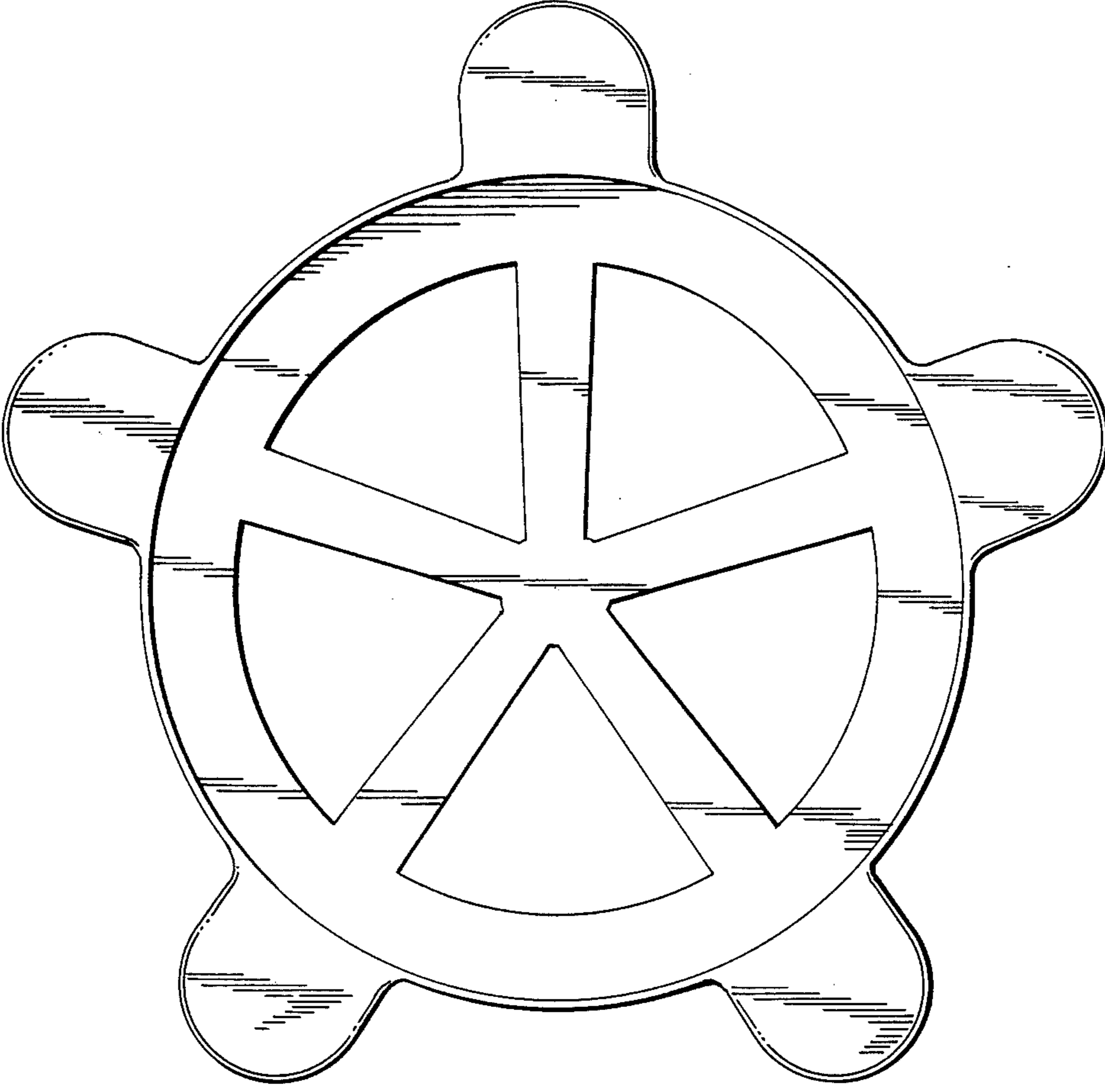


Fig. 2

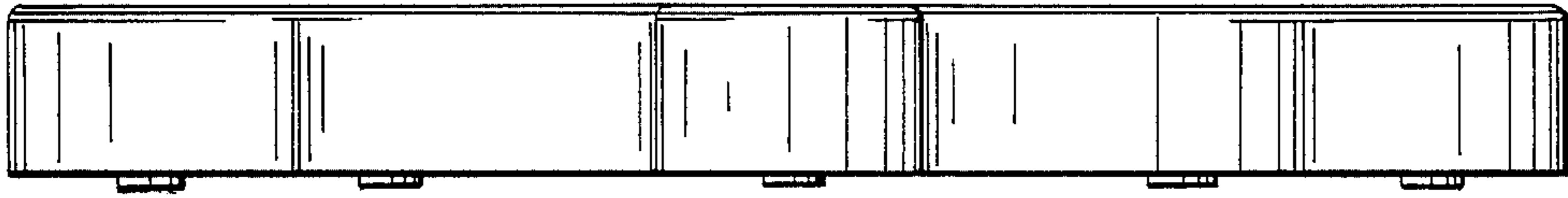


Fig. 3

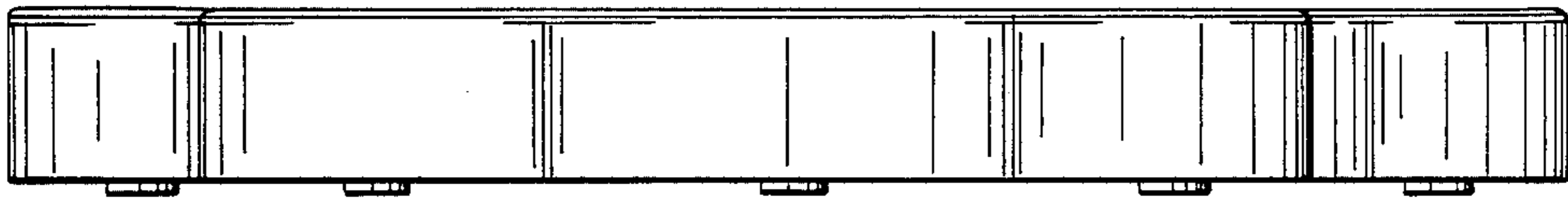


Fig. 4

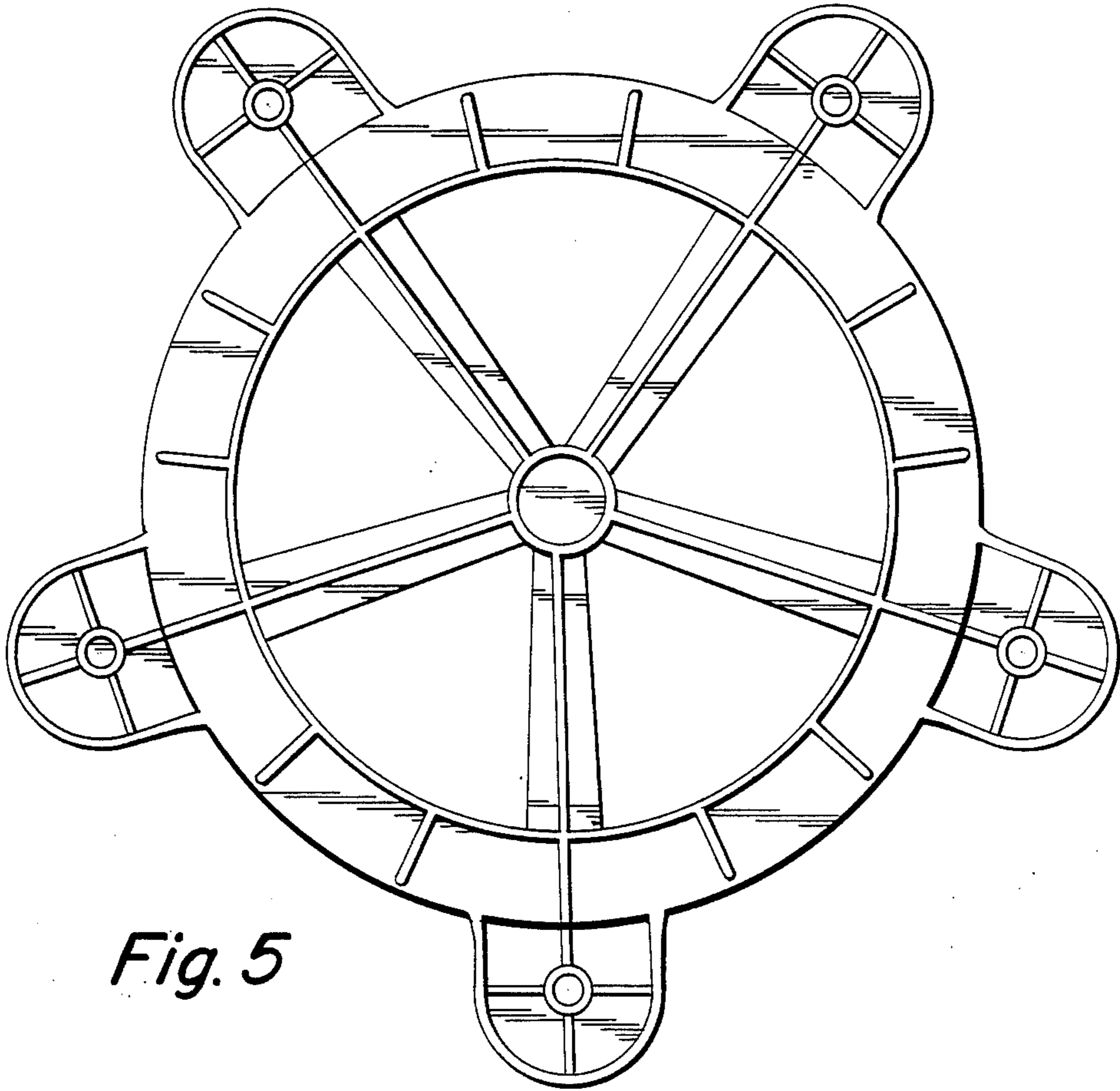


Fig. 5

Fig. 6

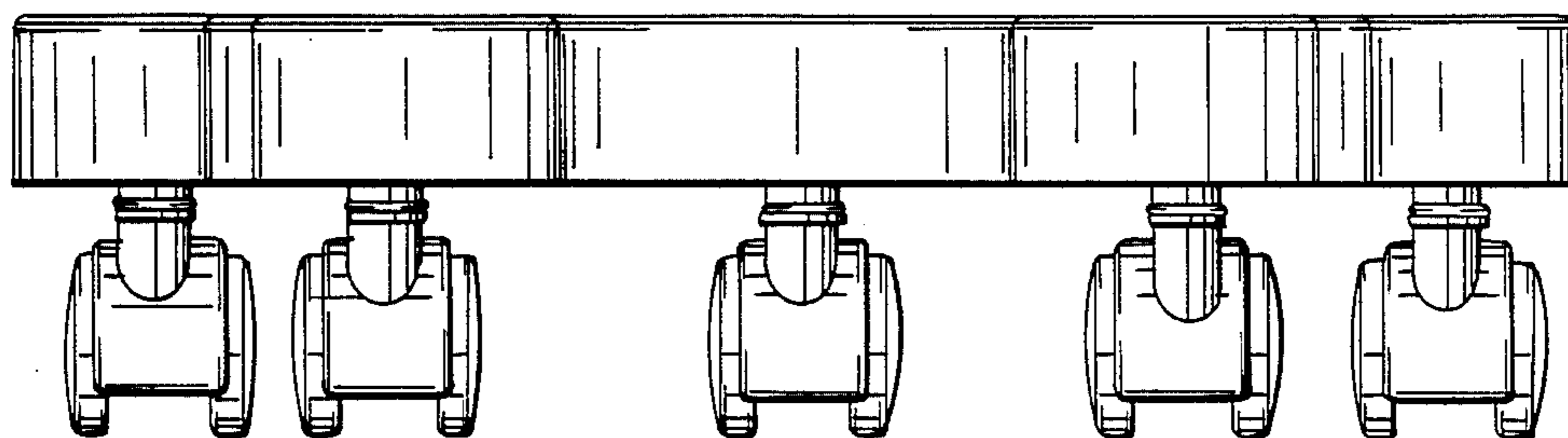
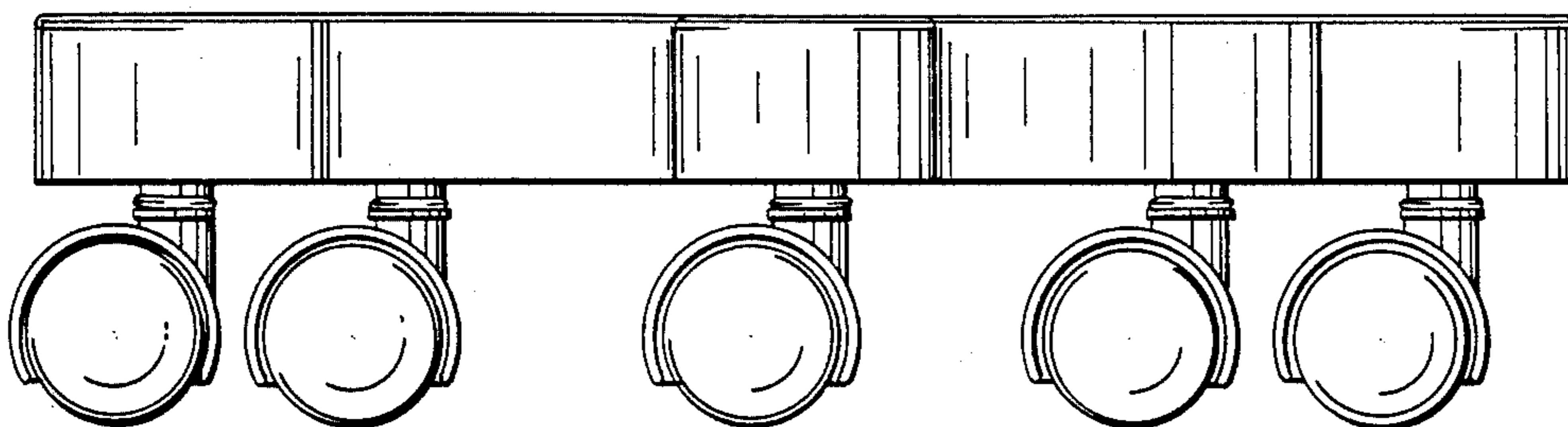


Fig. 7

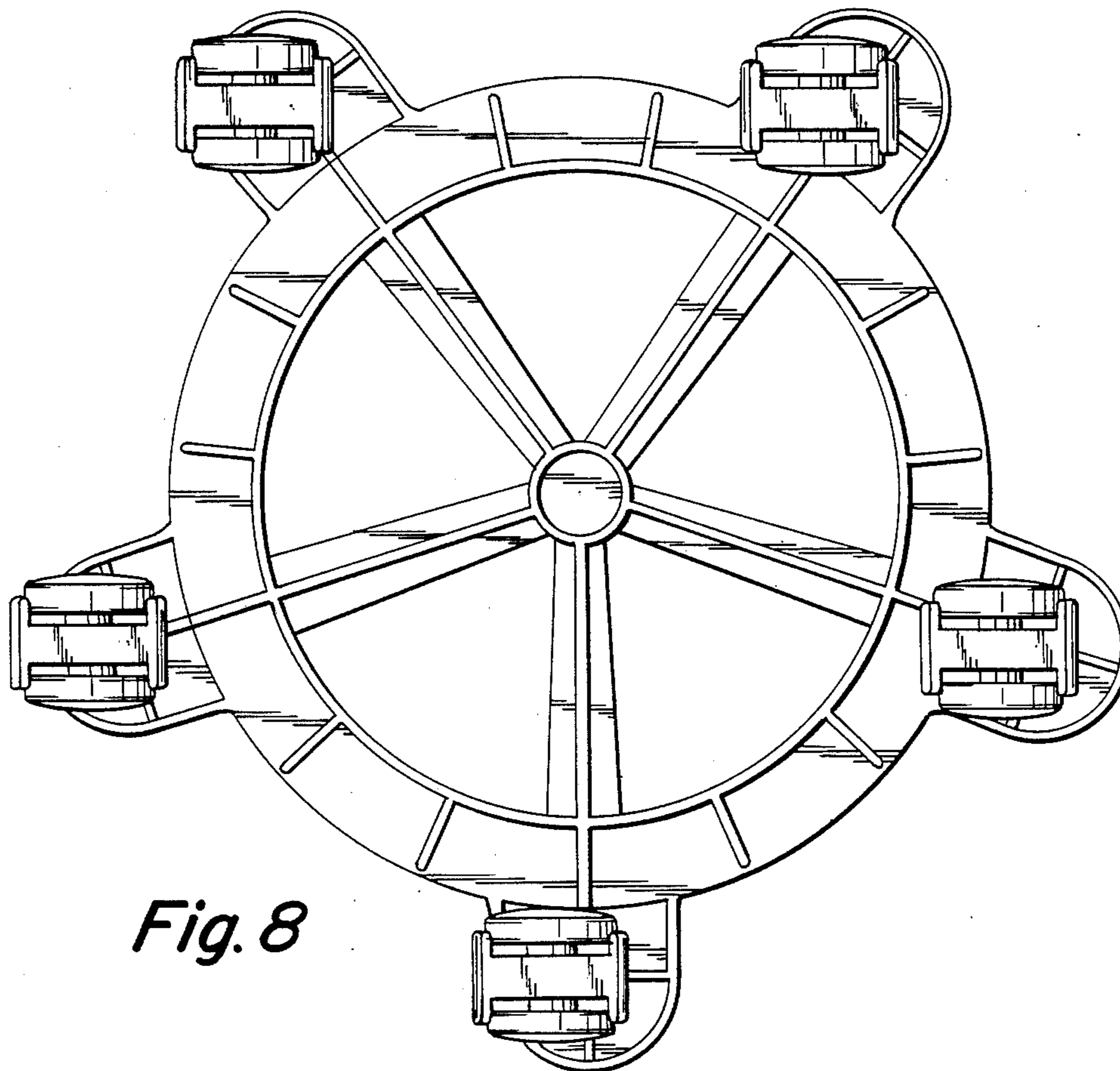


Fig. 8