

[54] VACUUM CLEANER

[75] Inventors: John F. Sovis, Twinsburg; James J. Kopco, Richmond Heights; Jeffrey M. Kalman, Cleveland Heights; Craig M. Saunders, Sagamore Hills, all of Ohio

[73] Assignee: Royal Appliance Manufacturing Co., Cleveland, Ohio

[\*\*] Term: 14 Years

[21] Appl. No.: 99,512

[22] Filed: Sep. 22, 1987

[52] U.S. Cl. .... D32/22

[58] Field of Search ..... D32/18, 21-22, D32/31-34; 15/323-325, 329, 335, 338, 344, 350-351, 361, 415 R, 418-422

[56] References Cited

U.S. PATENT DOCUMENTS

- D. 97,990 12/1935 Dreyfuss ..... D32/22
- D. 111,689 10/1938 Salt ..... D32/22

- D. 120,726 5/1940 Dreyfuss ..... D32/22
- D. 146,124 12/1946 Walker ..... D32/22
- D. 232,616 9/1974 Wareham ..... D32/22

Primary Examiner—A. Hugo Word  
Assistant Examiner—Ruth McInroy  
Attorney, Agent, or Firm—Fay, Sharpe, Beall, Fagan, Minnich & McKee

[57] CLAIM

The ornamental design for a vacuum cleaner, as shown and described.

DESCRIPTION

FIG. 1 is a front elevational view of a vacuum cleaner showing our new design;  
FIG. 2 is a side elevational view thereof;  
FIG. 3 is a rear elevational view thereof;  
FIG. 4 is a side elevational view opposite of the view of FIG. 2;  
FIG. 5 is a top plan view thereof;  
FIG. 6 is a bottom plan view thereof; and  
FIG. 7 is a perspective view as seen from the top, front and one side.

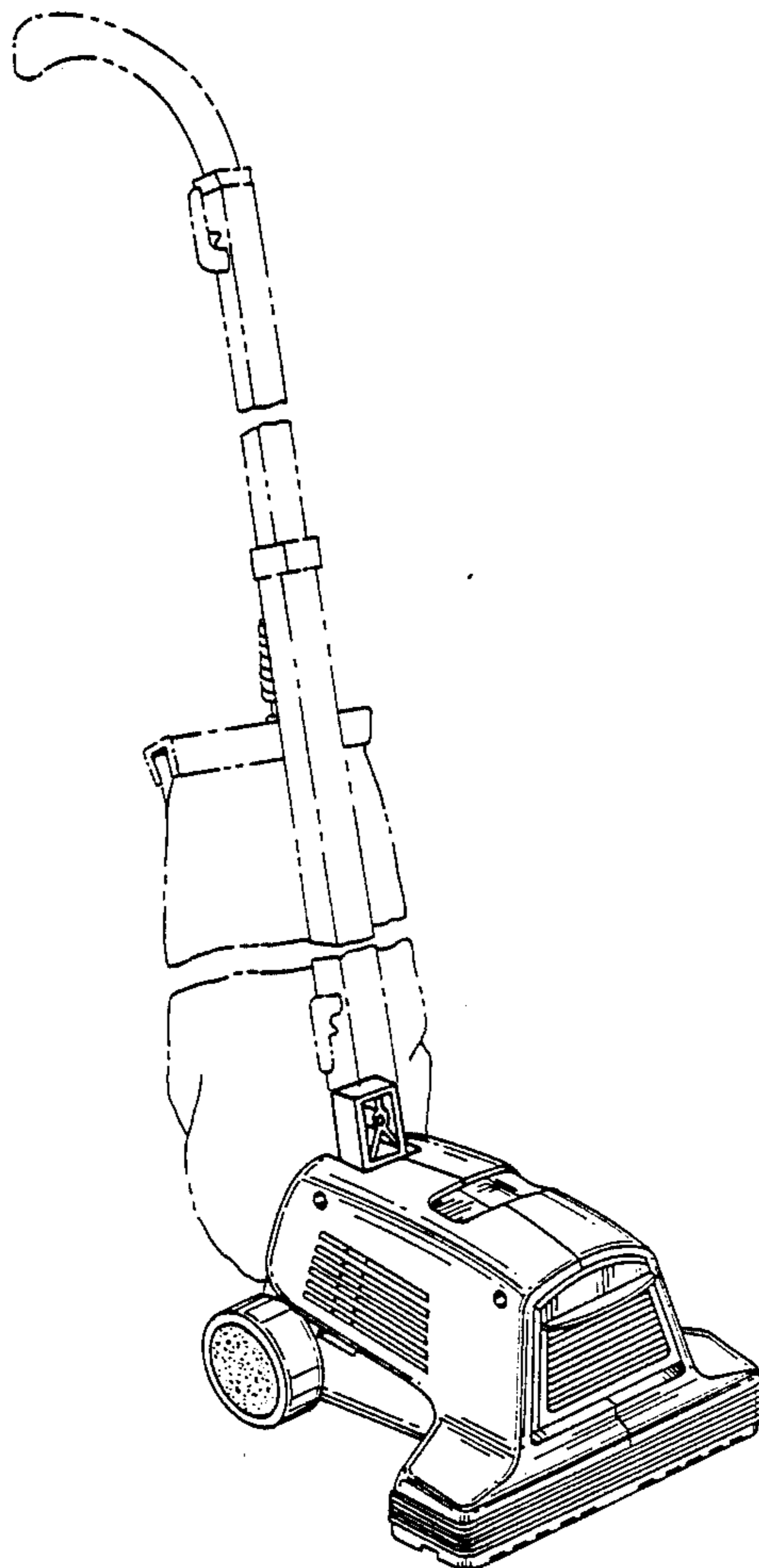


FIG. 1

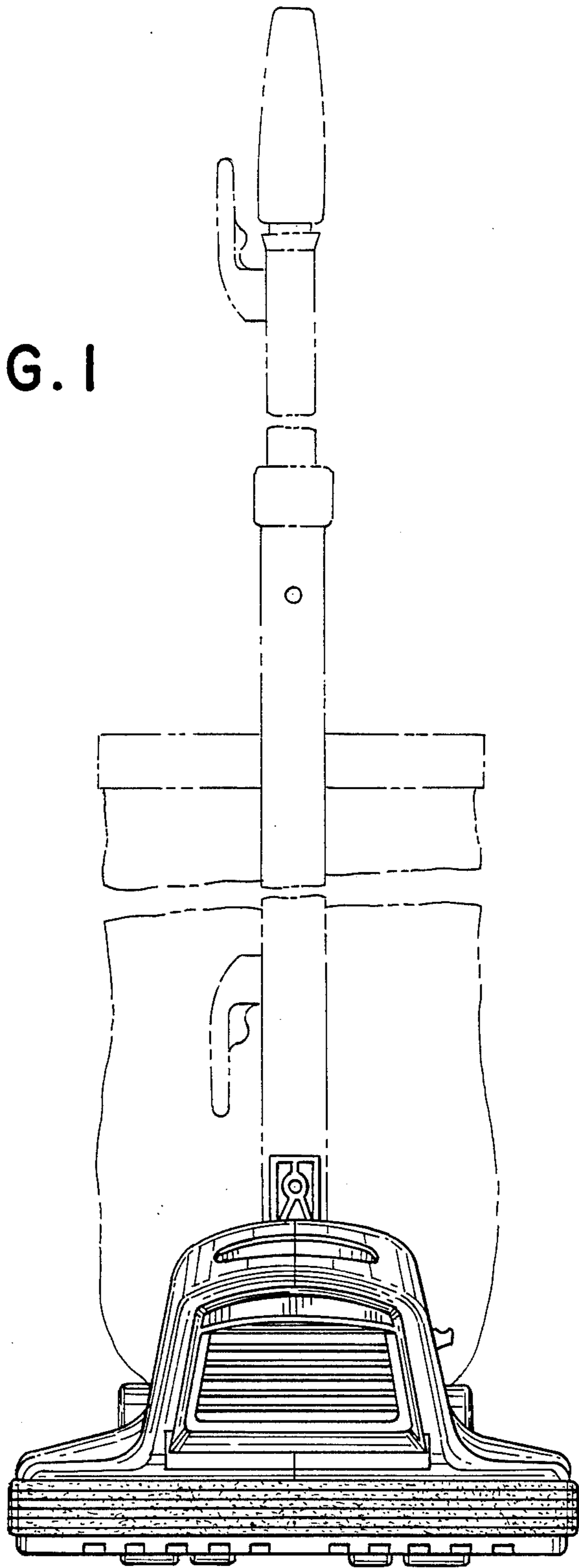


FIG. 2

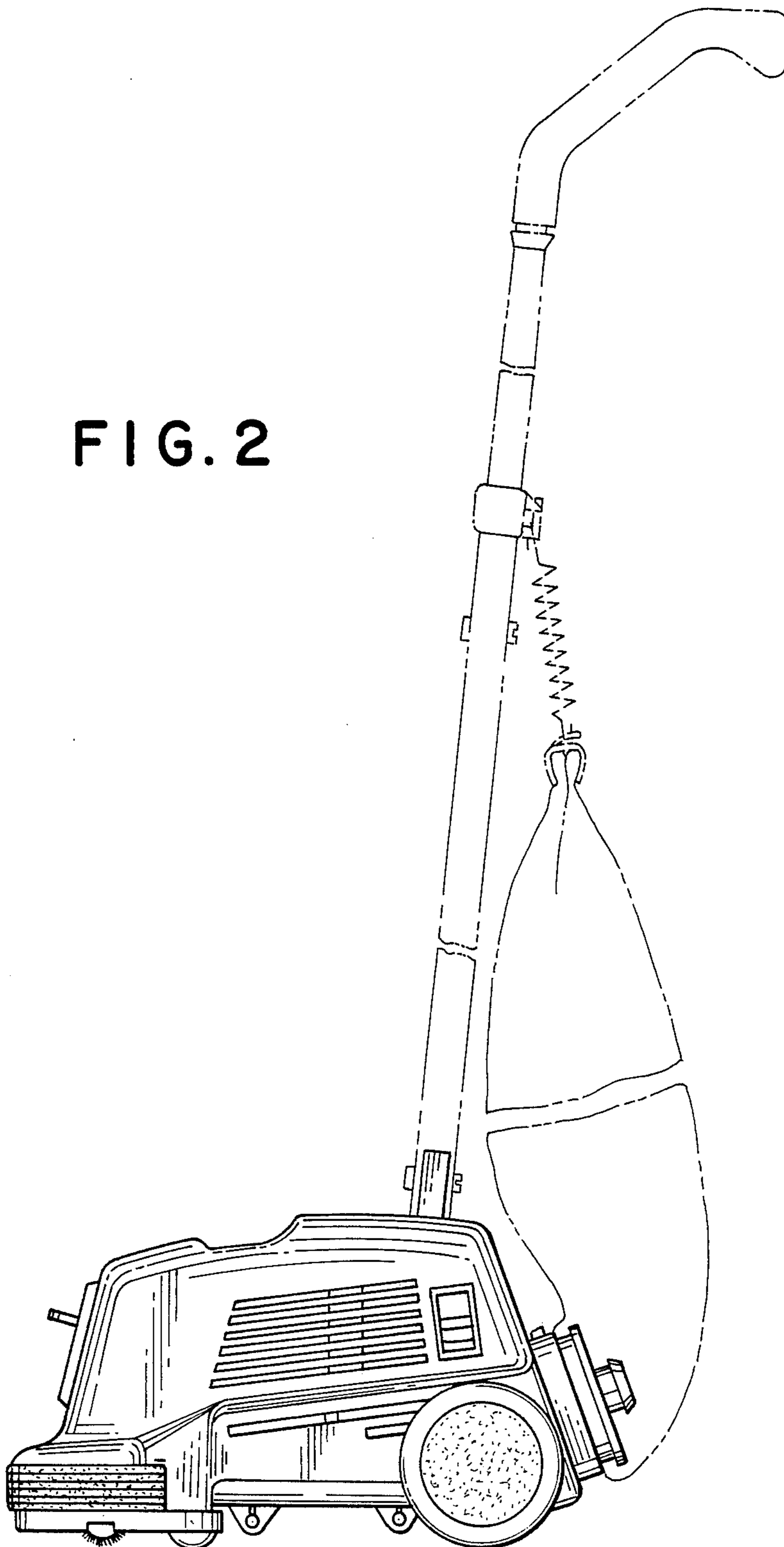
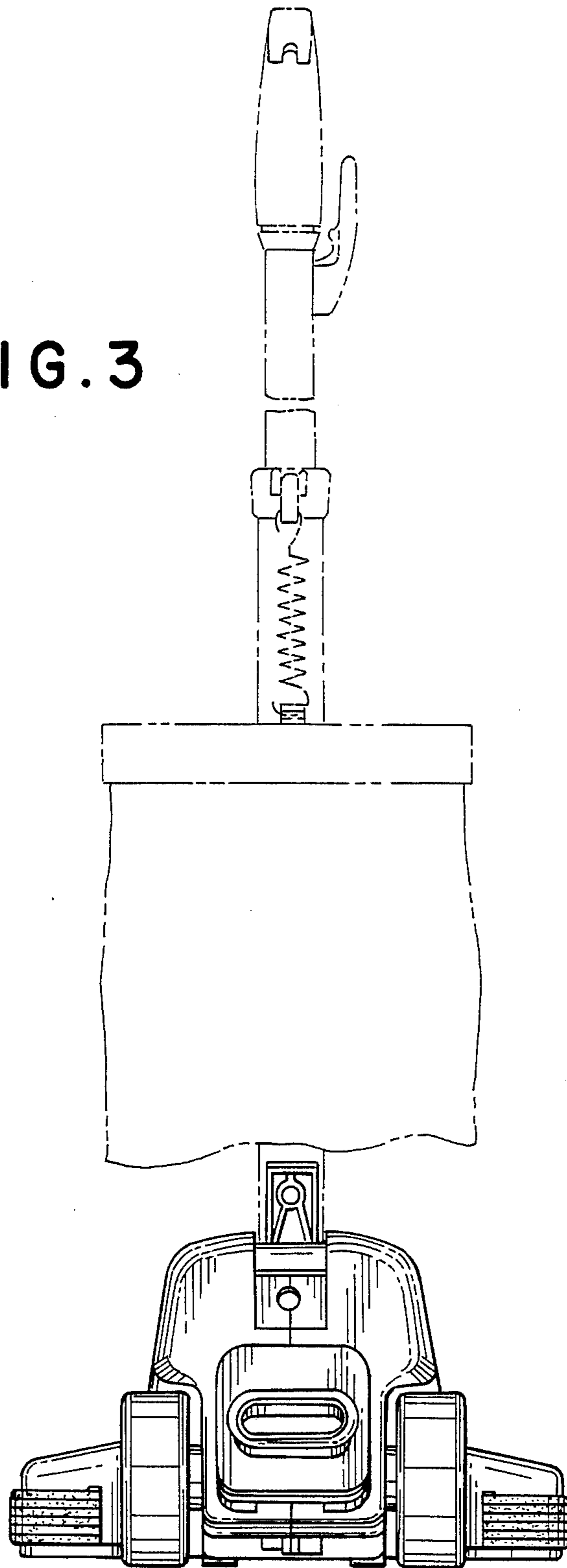


FIG. 3



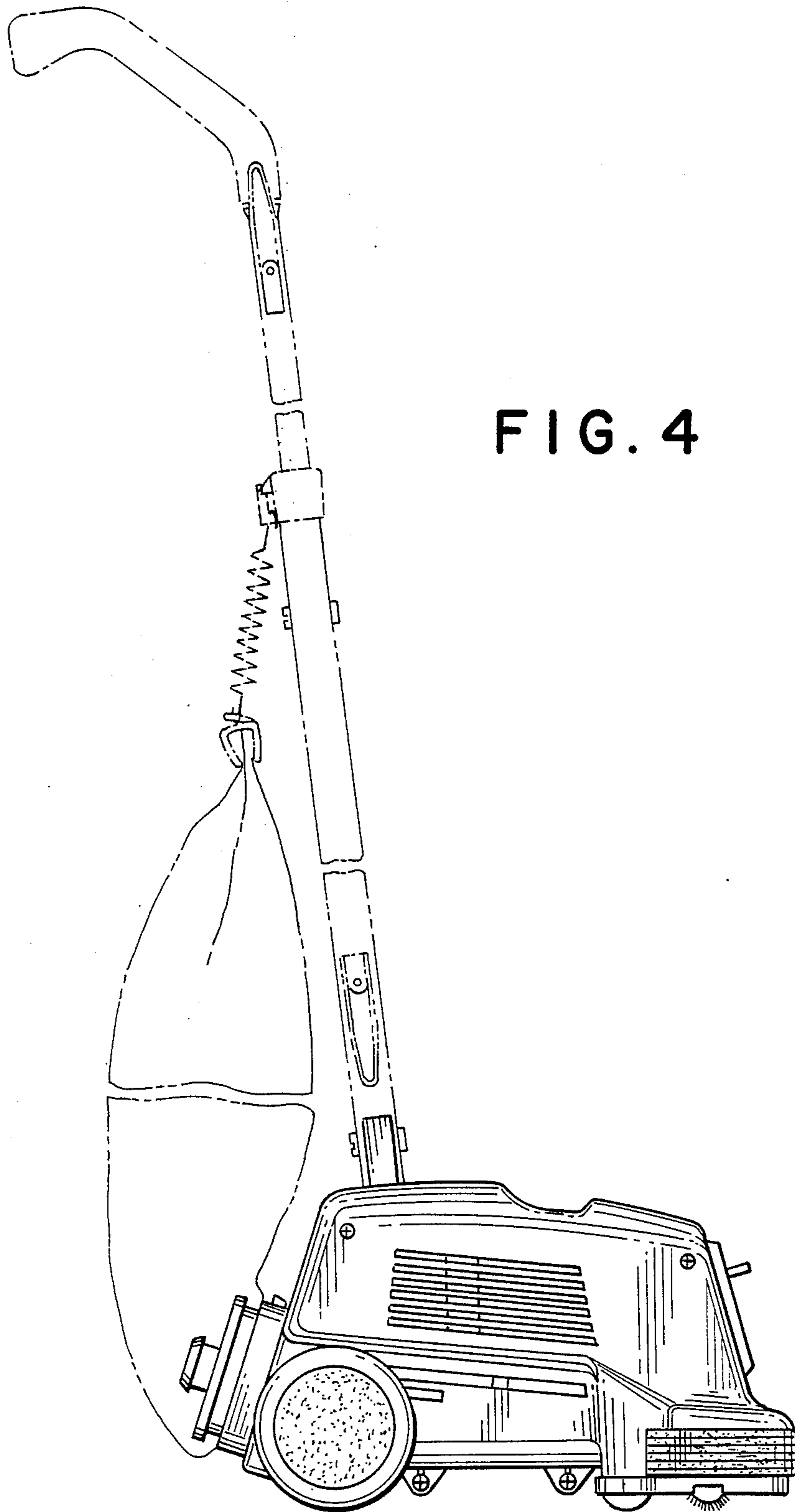


FIG. 4



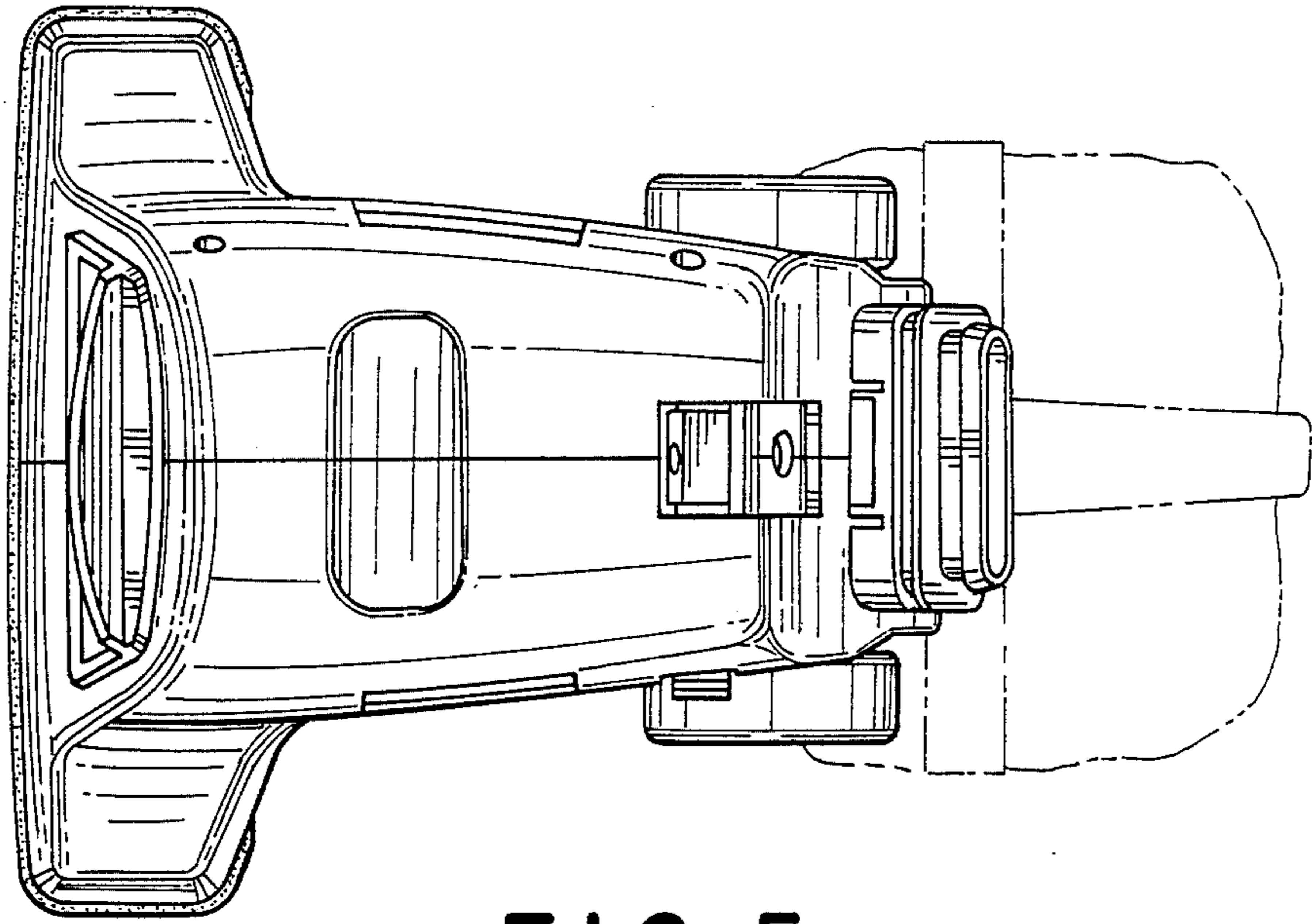


FIG. 5

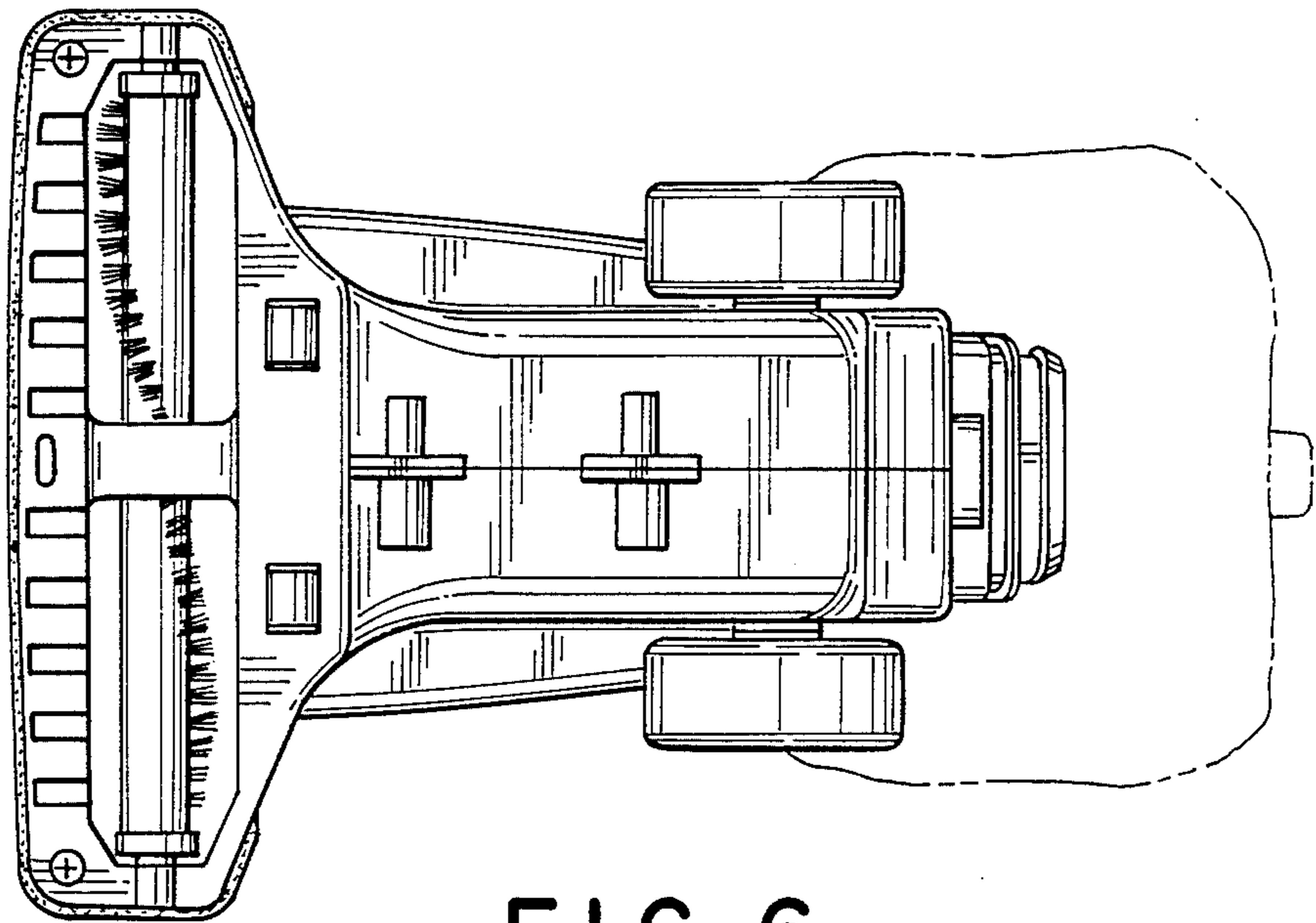


FIG. 6

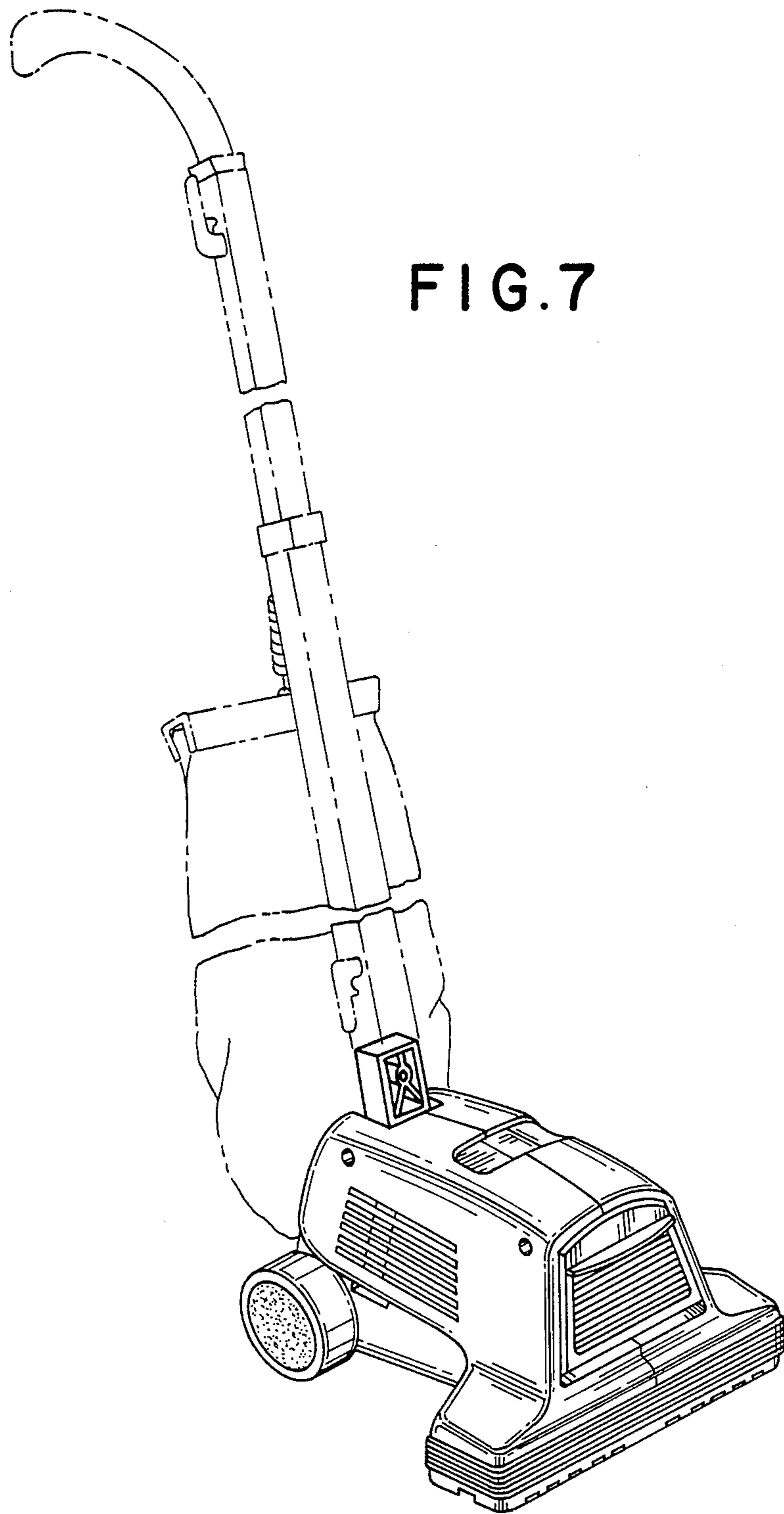


FIG. 7