

[54] VACUUM CLEANER

[75] Inventors: Robert A. Chieda, Westport, Conn.; Robert Romeo, Maplewood, N.J.

[73] Assignee: TRC Acquisition Corporation, Atlanta, Ga.

[\*\*] Term: 14 Years

[21] Appl. No.: 51,113

[22] Filed: May 15, 1987

[52] U.S. Cl. .... D32/22

[58] Field of Search ..... D32/18, 21-22, D32/31-34; 15/323-324, 325, 335, 329, 338, 344, 350-351, 361

[56] References Cited

U.S. PATENT DOCUMENTS

- D. 275,428 9/1984 Wareham ..... D32/22
- D. 293,728 1/1988 Ohhira et al. .... D32/22

- D. 299,176 12/1988 Bowerman et al. .... D32/22
- 4,517,705 5/1985 Hug ..... 15/351

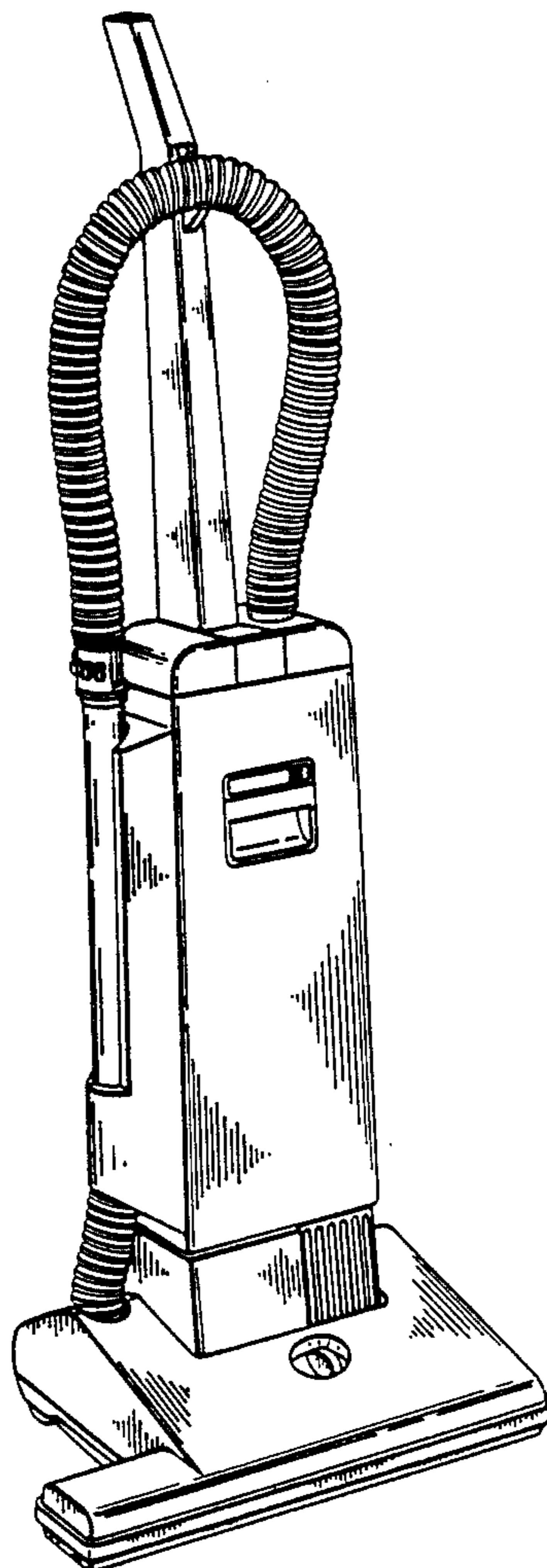
Primary Examiner—A. Hugo Word  
Assistant Examiner—Ruth McInroy  
Attorney, Agent, or Firm—Martin LuKacher

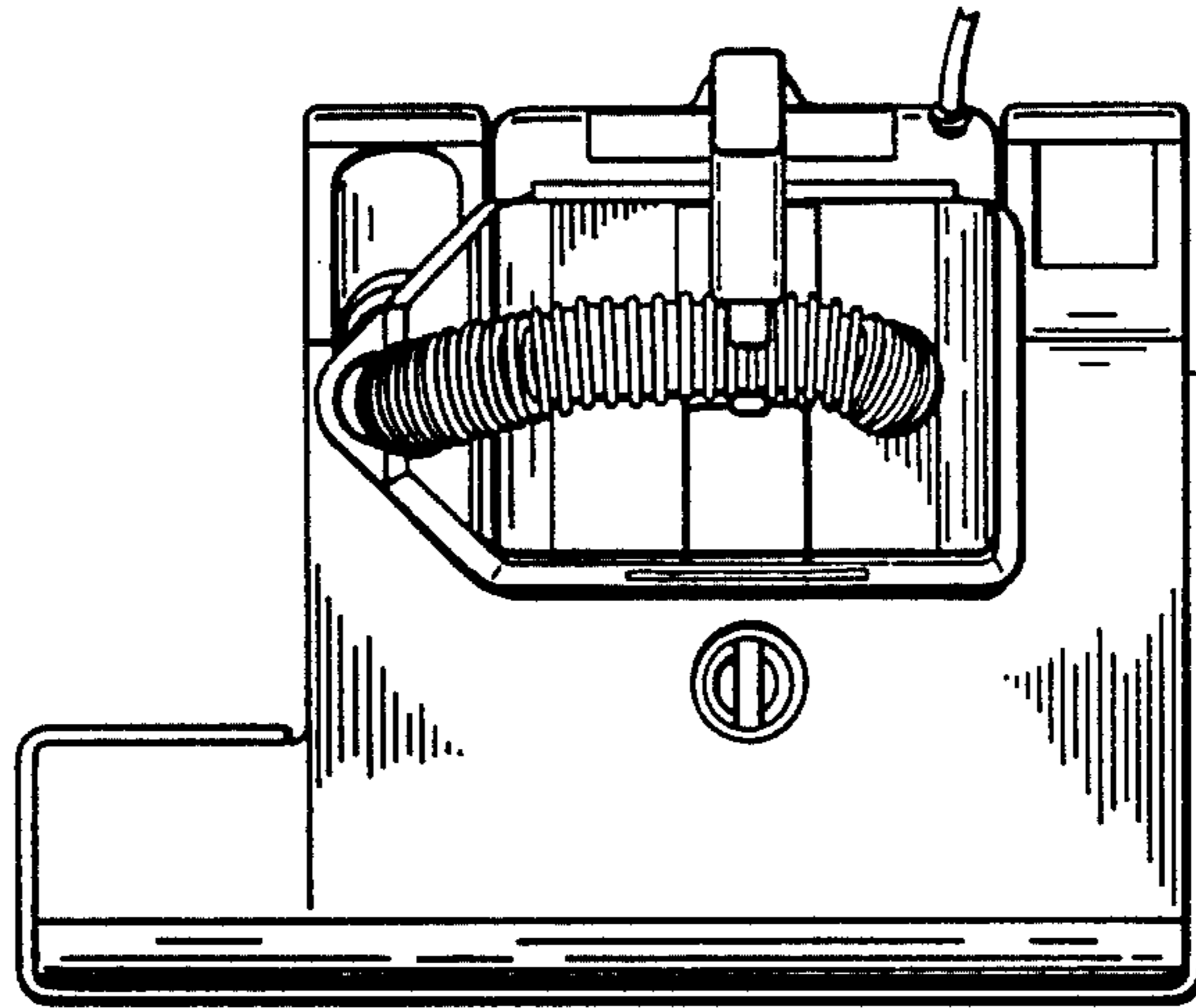
[57] CLAIM

The ornamental design for the vacuum cleaner, as shown and described.

DESCRIPTION

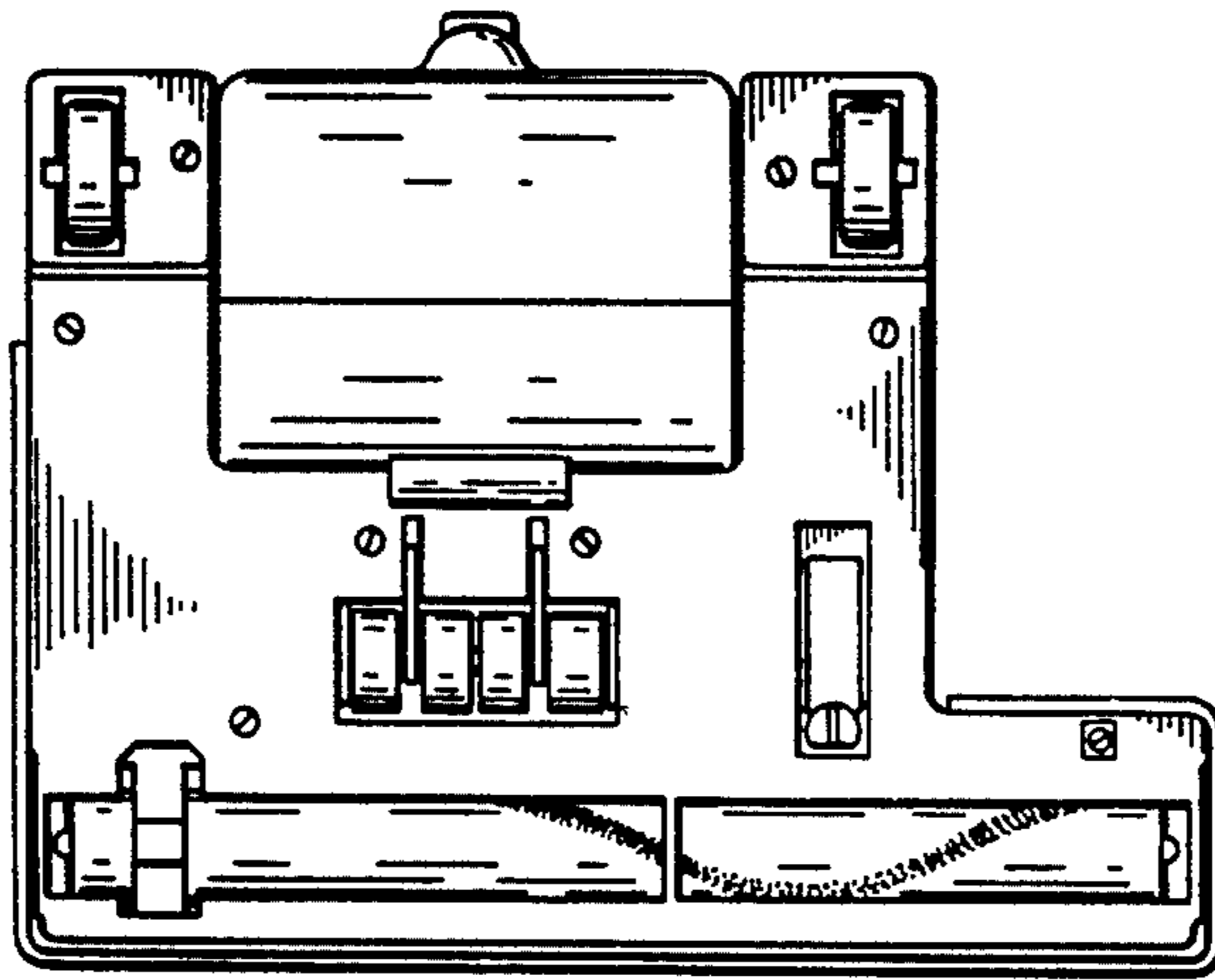
FIG. 1 is a top plan view of a vacuum cleaner showing our new design;  
FIG. 2 is a right side elevational view thereof;  
FIG. 3 is a left side elevational view thereof;  
FIG. 4 is a front elevational view thereof;  
FIG. 5 is a rear elevational view thereof; and  
FIG. 6 is a bottom plan view thereof; and  
FIG. 7 is a front perspective view thereof.  
The electric cord shown broken away in FIGS. 1, 2, 3 and 5 is understood to represent indeterminate length.



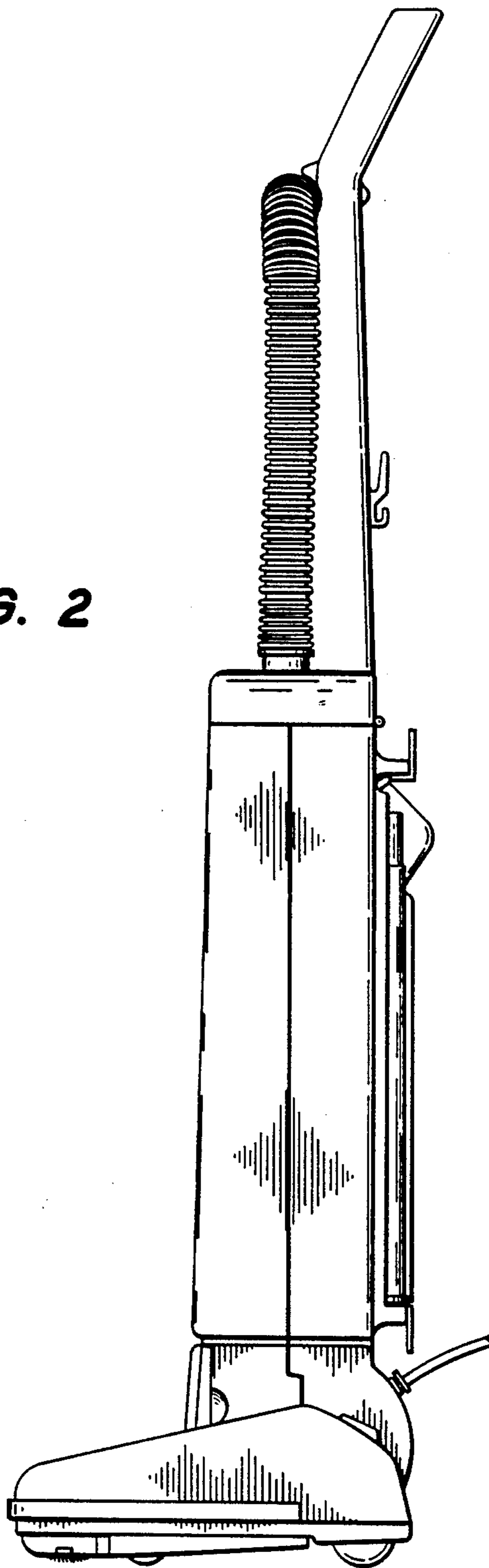


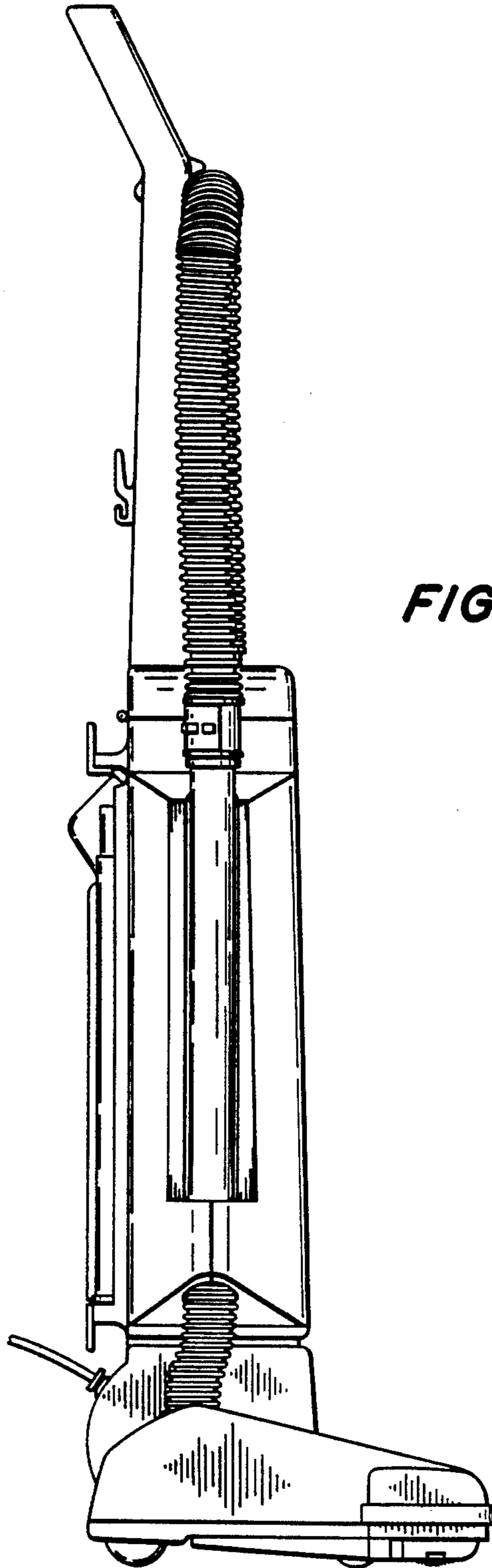
**FIG. 1**

**FIG. 6**



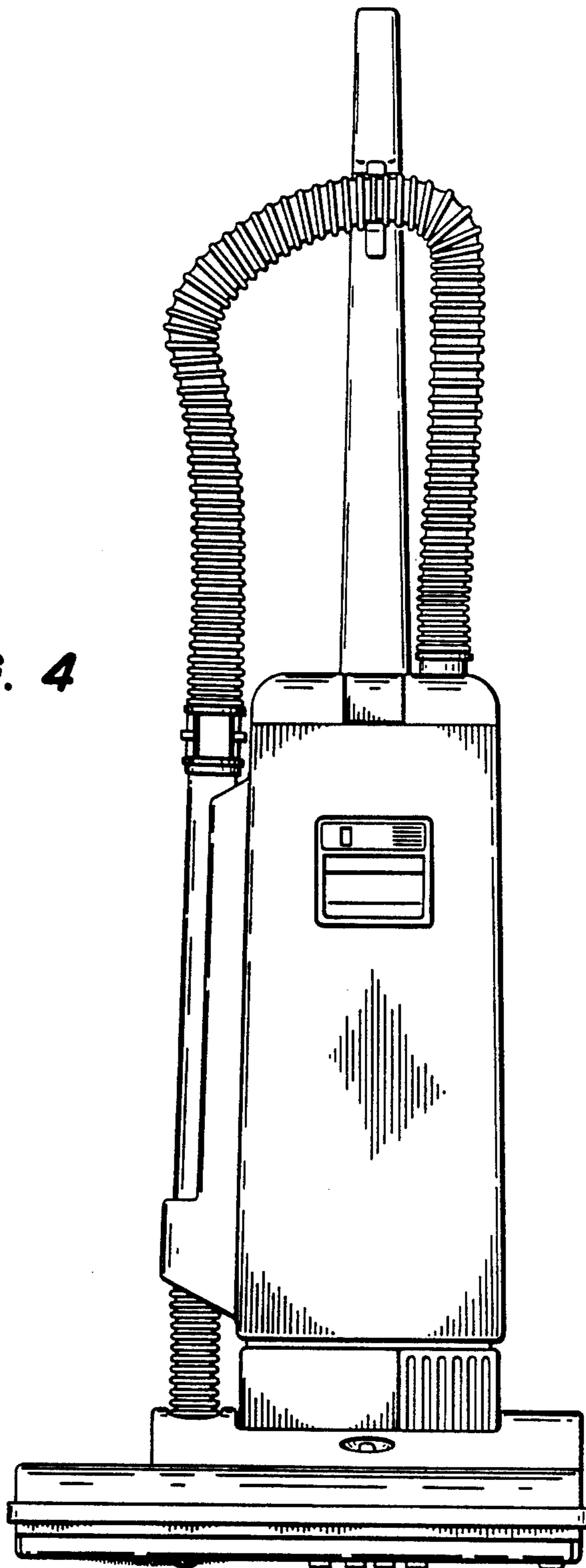
*FIG. 2*



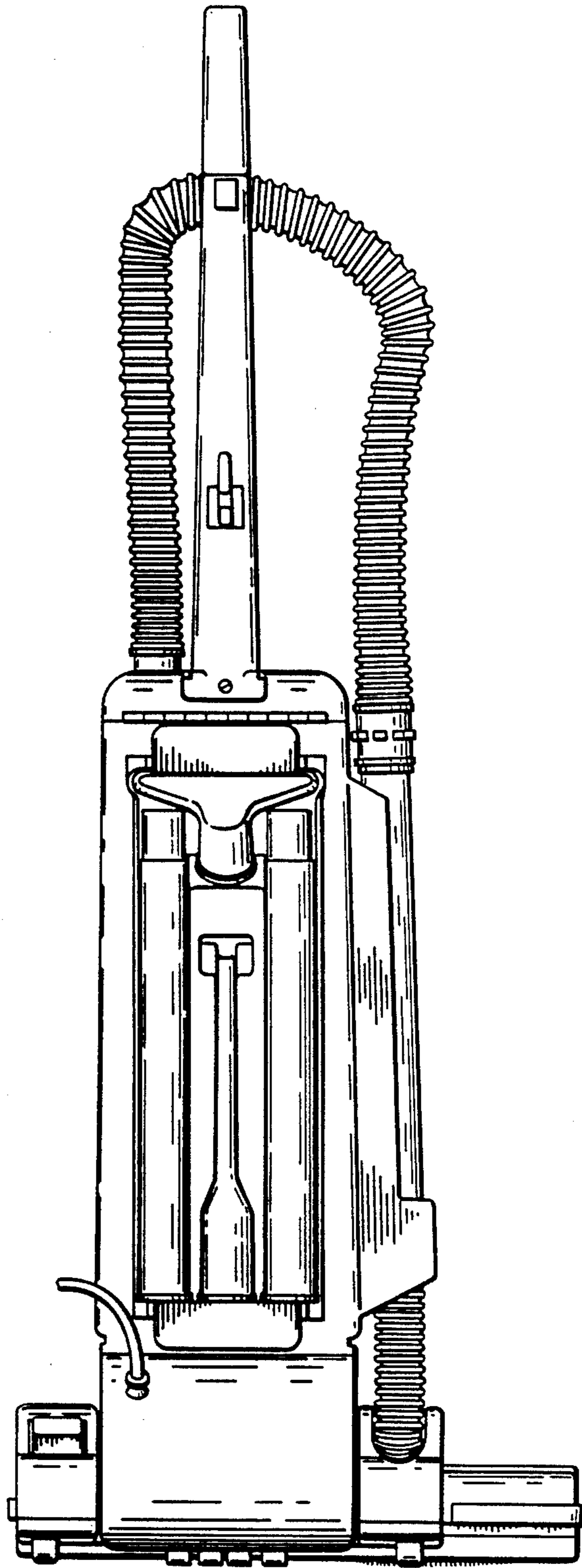


**FIG. 3**

*FIG. 4*



**FIG. 5**





**FIG. 7**

