

United States Patent [19]

Boccatto et al.

[11] Patent Number: **Des. 309,791**

[45] Date of Patent: **** Aug. 7, 1990**

[54] **WALL LAMP**

[75] Inventors: **Marilena Boccatto; Gian N. Gigante,**
both of Treviso; **Antonio Zambusi,**
Padua, all of Italy

[73] Assignee: **ZERBETTO S.p.A.,** Padua, Italy

[**] Term: **14 Years**

[21] Appl. No.: **143,437**

[22] Filed: **Jan. 13, 1988**

[30] **Foreign Application Priority Data**

Jul. 15, 1987 [IT] Italy 30713/87[U]

[52] U.S. Cl. **D26/85**

[58] Field of Search D26/72, 80-92;
362/147, 404-408, 432, 362, 363

[56] **References Cited**

U.S. PATENT DOCUMENTS

D. 114,329 4/1939 Gregg D26/86

D. 285,489 9/1986 Russell D26/86

1,864,145 6/1932 Ohm 362/432

4,352,151 9/1982 Lewis 362/147 X

OTHER PUBLICATIONS

Bega Lighting Catalog ©1987, p. 2, Wall Sconce.

Primary Examiner—Susan J. Lucas

Attorney, Agent, or Firm—Guido Modiano; Albert Josif

[57] **CLAIM**

The ornamental design for wall lamp, as shown.

DESCRIPTION

FIG. 1 is a top, front perspective view of a wall lamp showing our new design;

FIG. 2 is a front elevational view thereof;

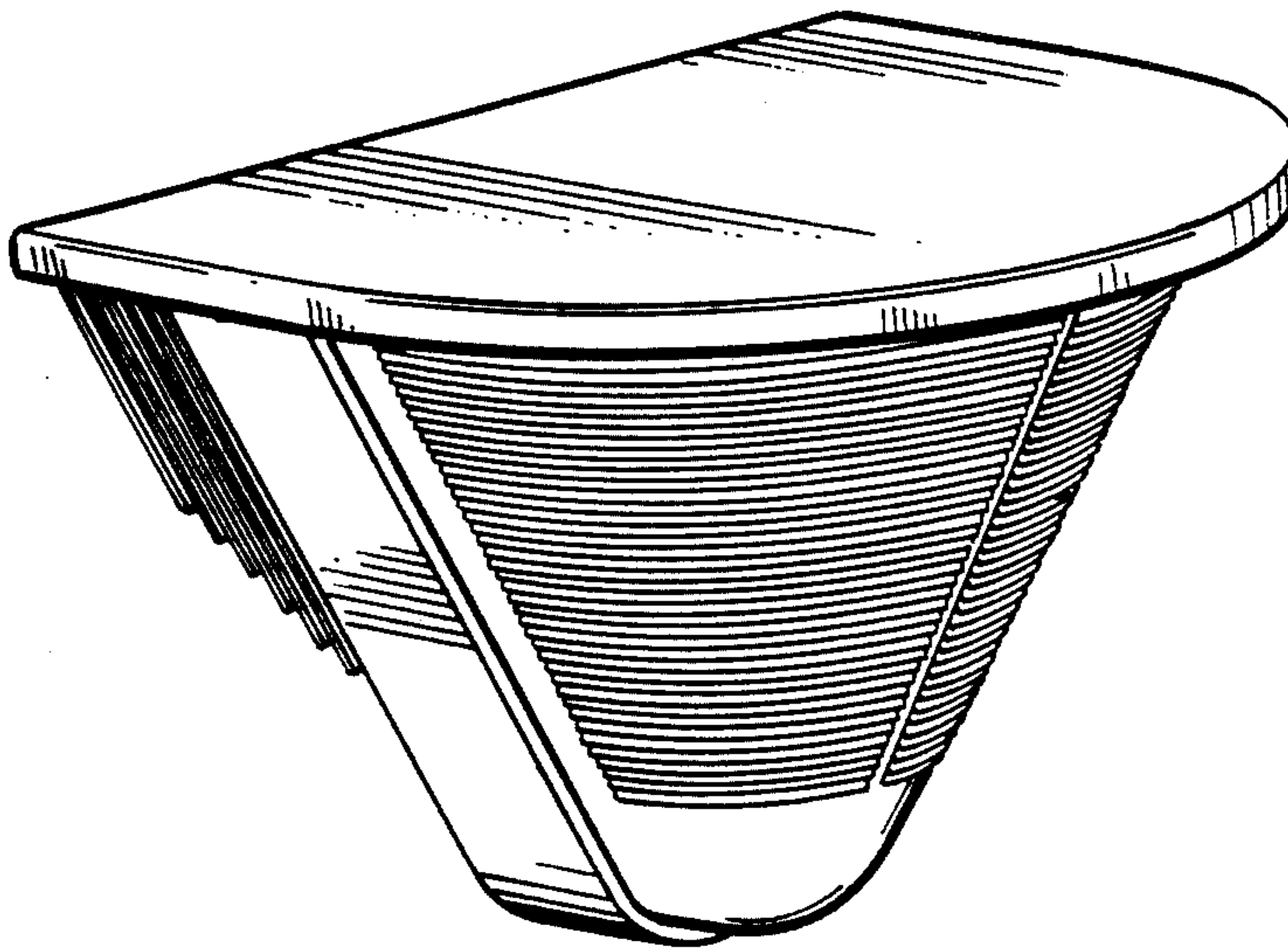
FIG. 3 is a rear elevational view thereof;

FIG. 4 is a left hand side elevational view thereof;

FIG. 5 is a right hand side elevational view thereof;

FIG. 6 is a top plan view thereof;

FIG. 7 is a bottom plan view thereof.



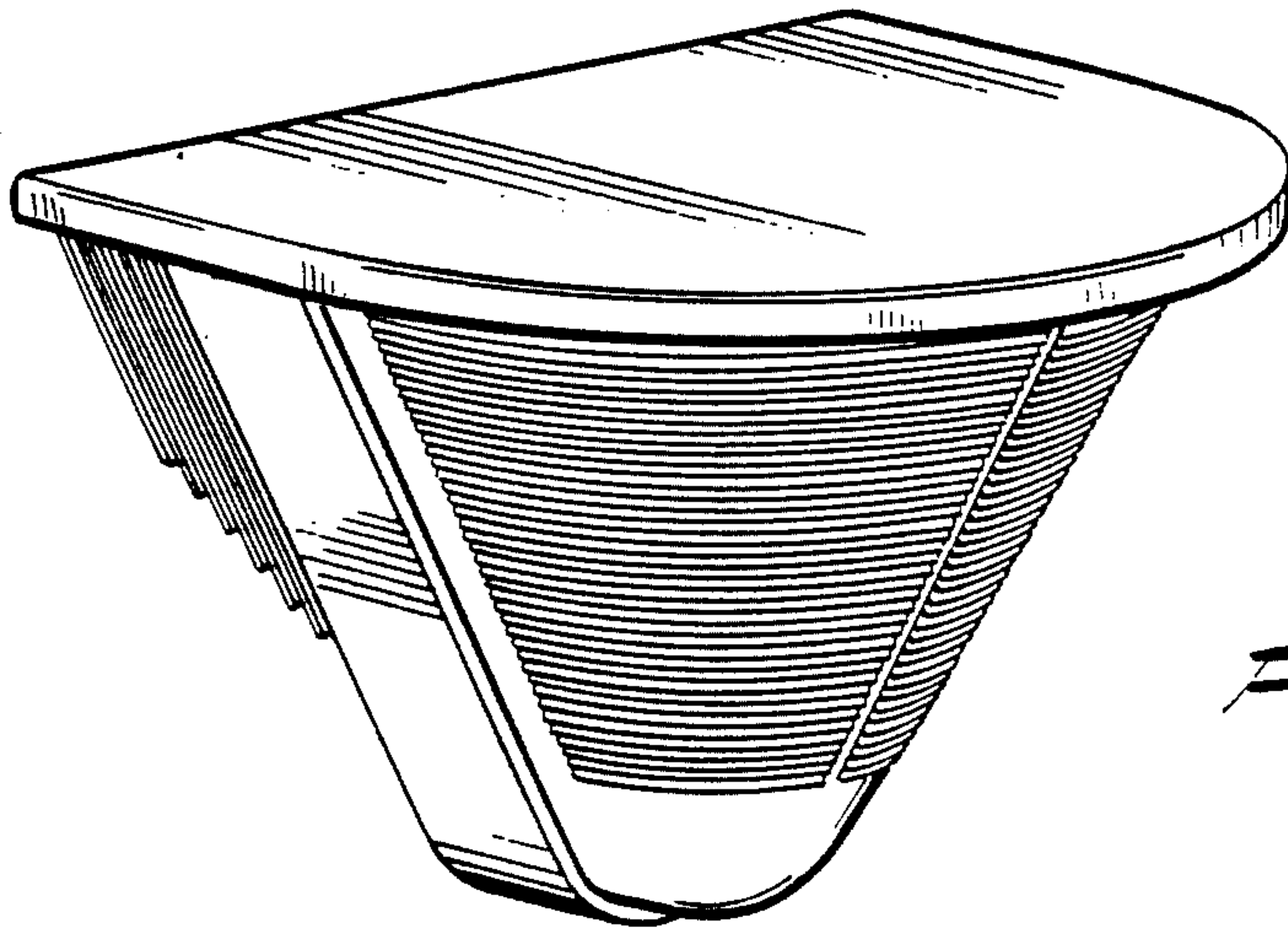


Fig. 1

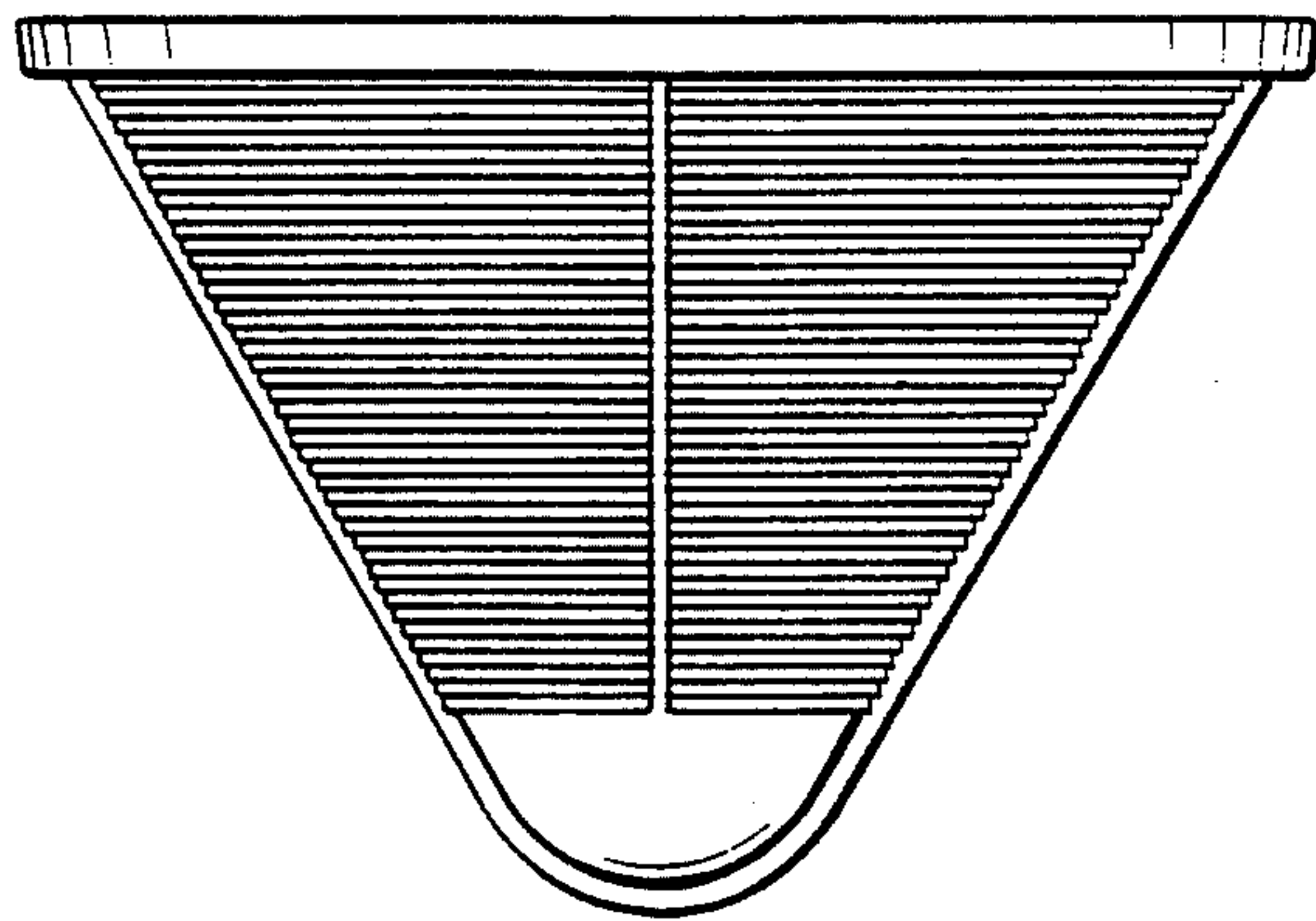


Fig. 2

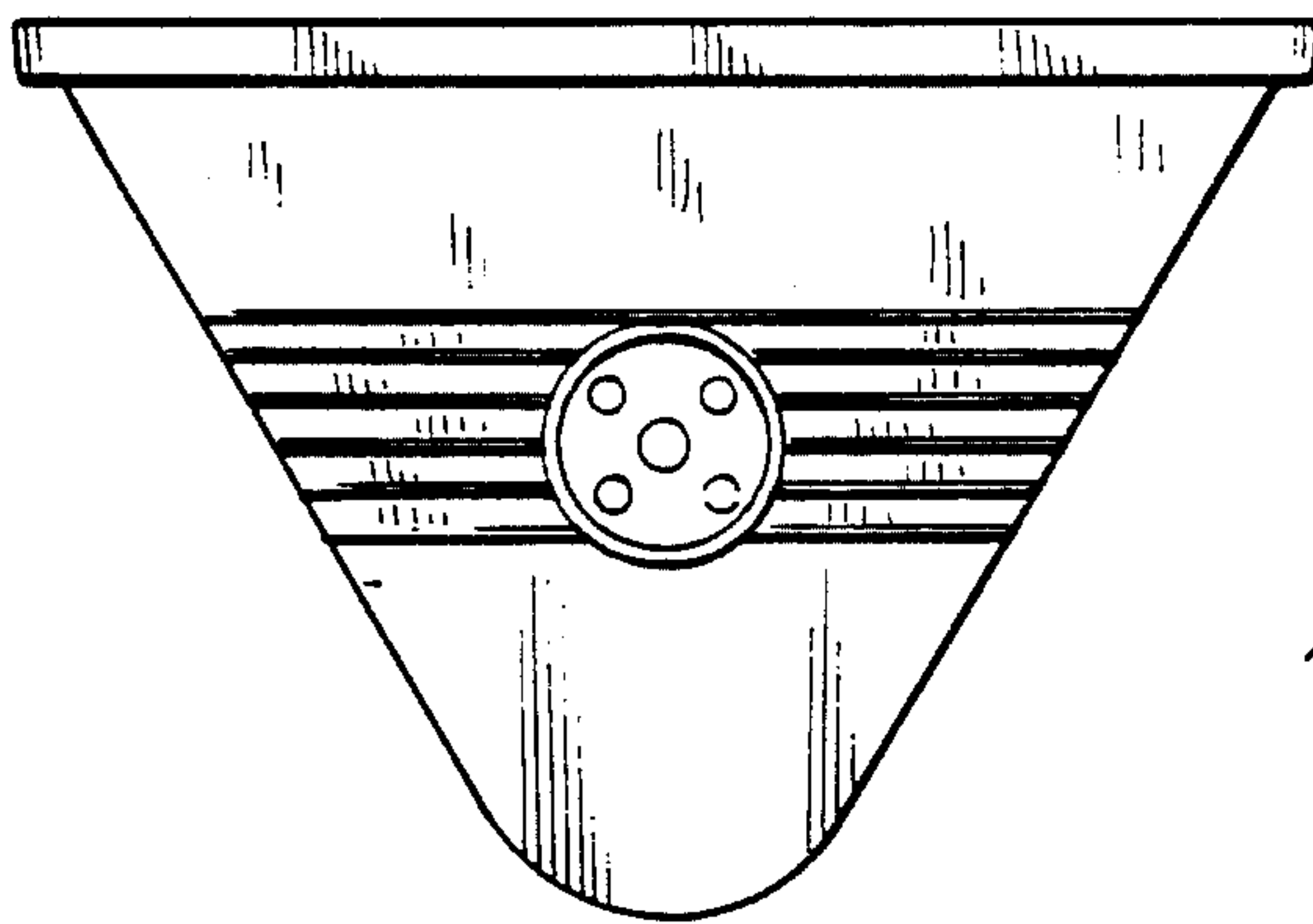


Fig. 3

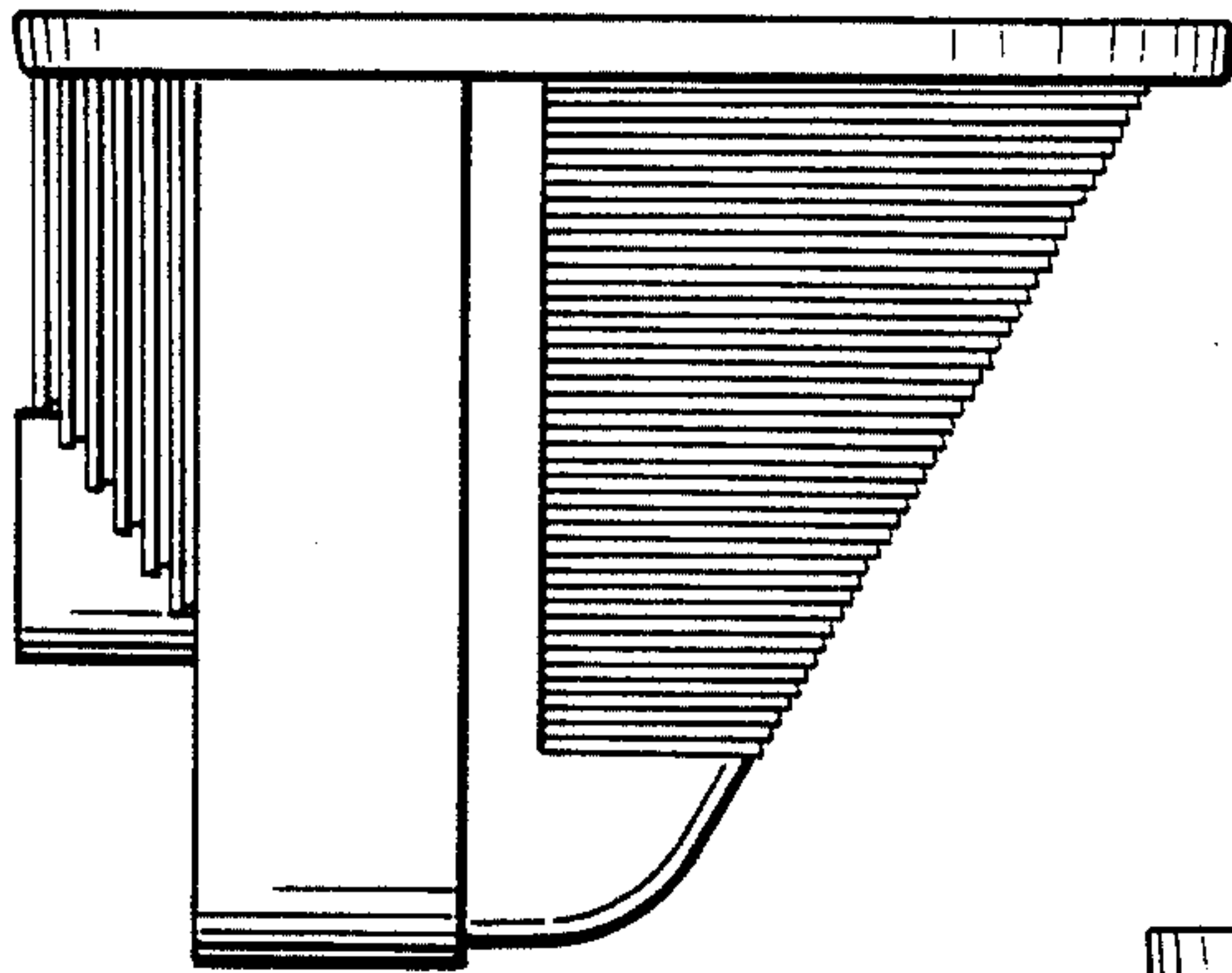


Fig. 4

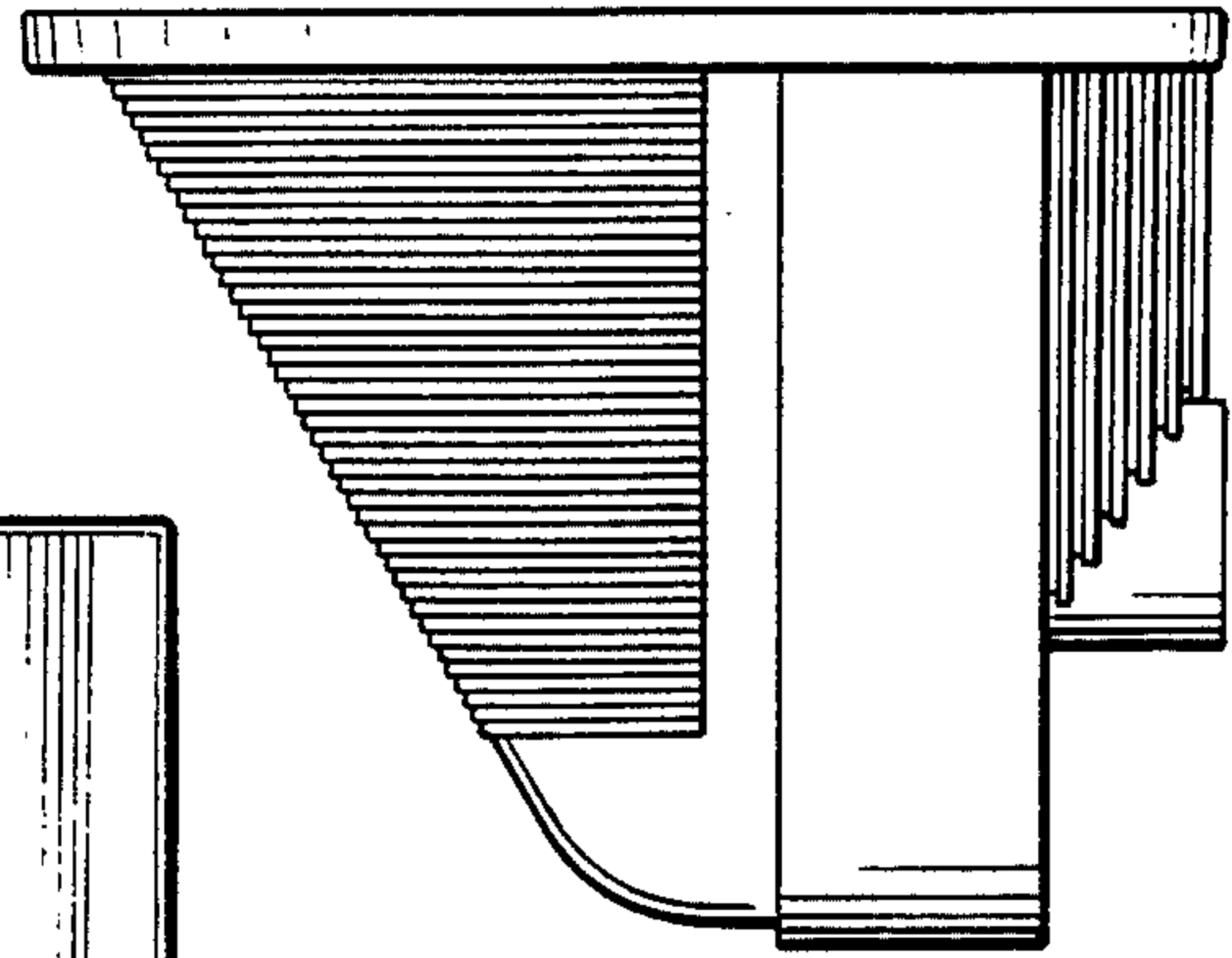


Fig. 5

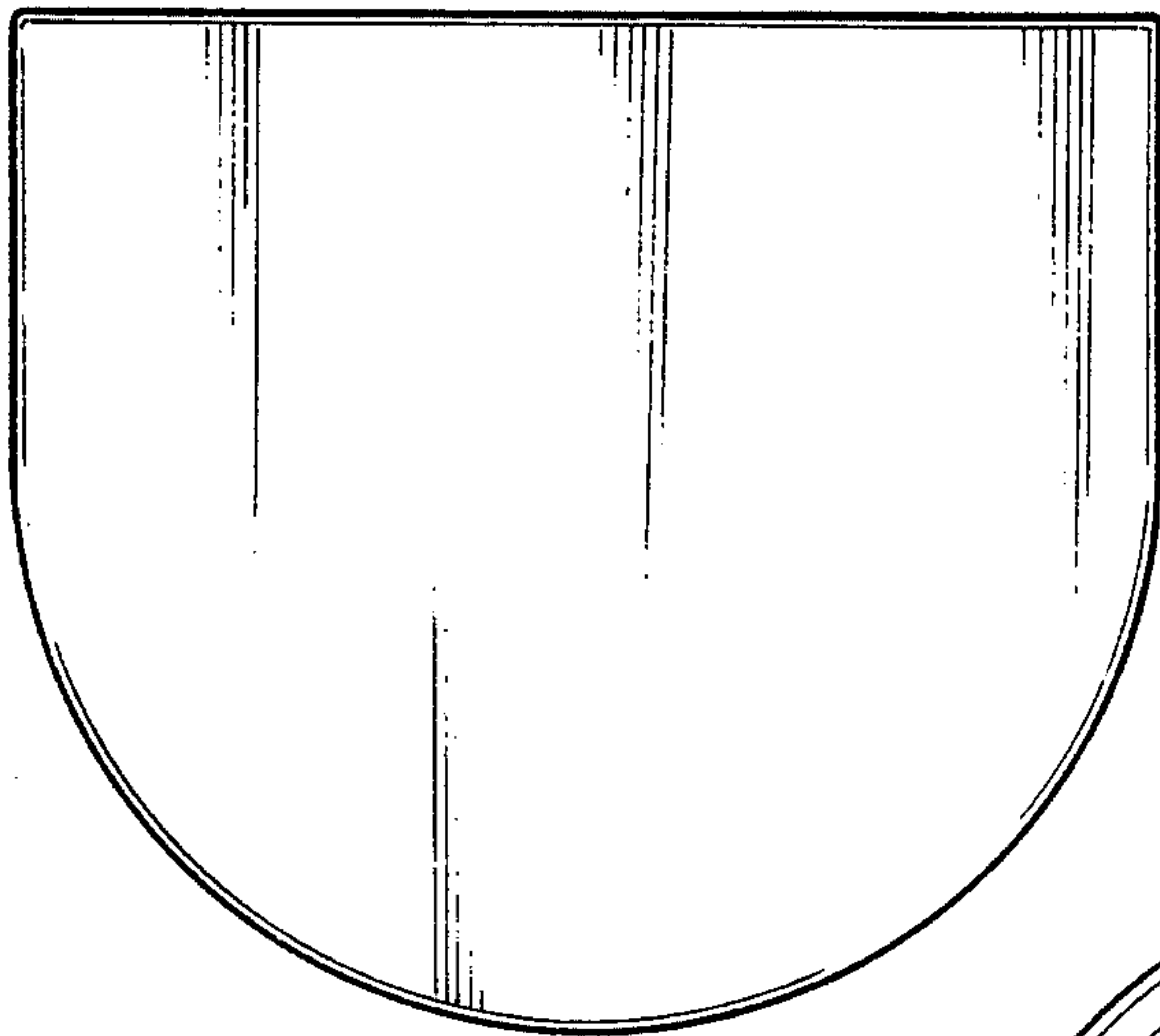


Fig. 6

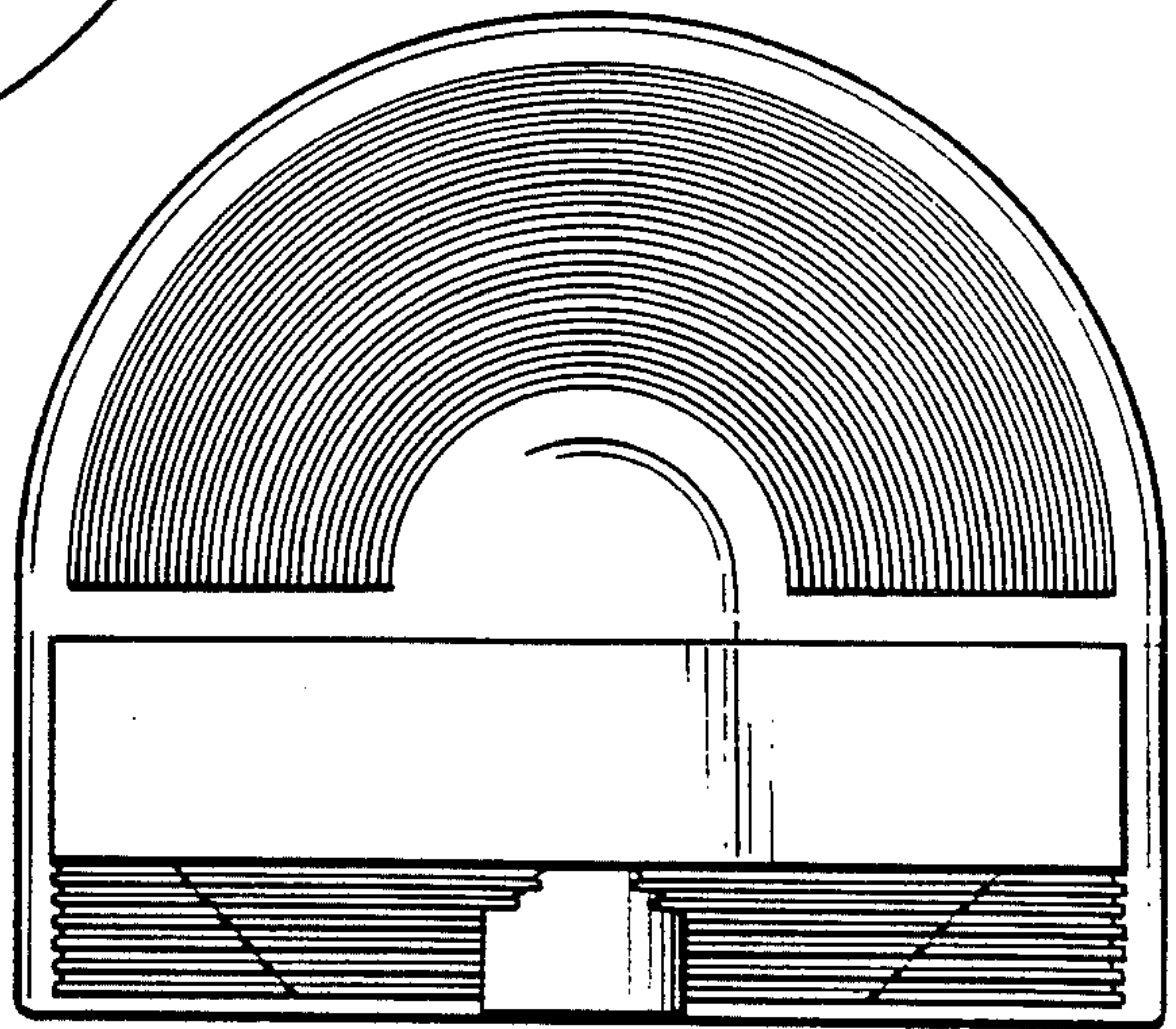


Fig. 7