

[54] **SOLAR POWERED LIGHT**

[76] **Inventor: Tseng L. Chien, Suite 8-6, No. 9, San-Min Rd., Taipei, Taiwan**

[**] **Term: 14 Years**

[21] **Appl. No.: 280,994**

[22] **Filed: Dec. 7, 1988**

[30] **Foreign Application Priority Data**

Sep. 17, 1988 [TW] Taiwan 77305419

[52] **U.S. Cl. D26/67; D26/93**

[58] **Field of Search D26/67-71, D26/93, 102-110; 362/431, 410, 362, 183, 147, 267; 136/291**

[56] **References Cited**

U.S. PATENT DOCUMENTS

D. 227,925 7/1973 Husby et al. D26/67
4,200,904 4/1980 Doan 362/431

4,441,143 4/1984 Richardson, Jr. 362/183
4,816,970 3/1989 Garcia, Jr. 362/183

OTHER PUBLICATIONS

Home Lighting & Accessories, 3-1985, p. 38, Solar Powered Outdoor Light.

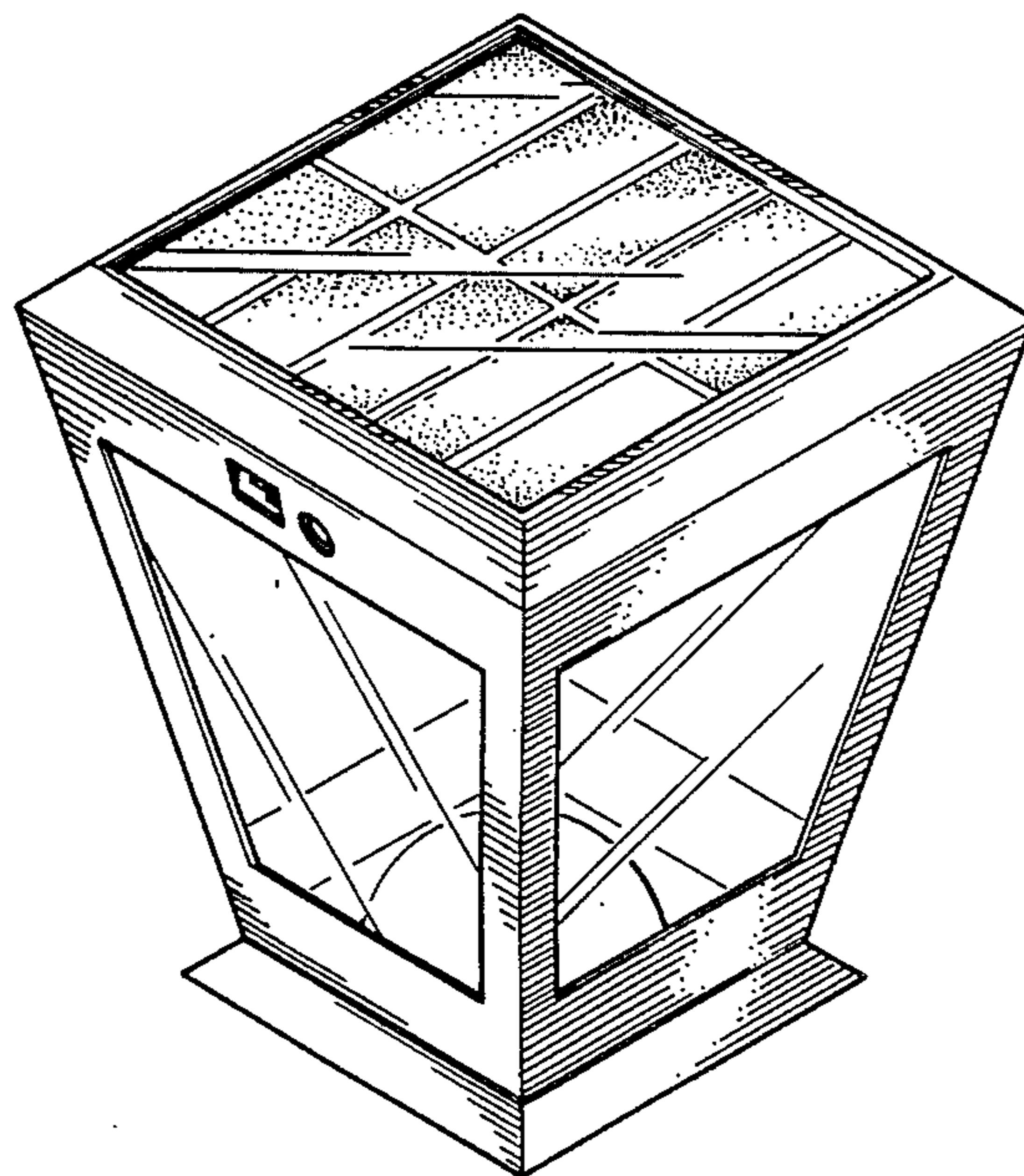
Primary Examiner—Susan J. Lucas
Attorney, Agent, or Firm—Bacon & Thomas

[57] **CLAIM**

The ornamental design for a solar powered light, as shown and described.

DESCRIPTION

FIG. 1 is a top, front perspective view of a solar powered light showing my new design;
FIG. 2 is a front elevation view thereof;
FIG. 3 is a top plan view thereof;
FIG. 4 is a bottom plan thereof; and
FIG. 5 is a left side elevational view thereof, the right side and the rear being mirror images.



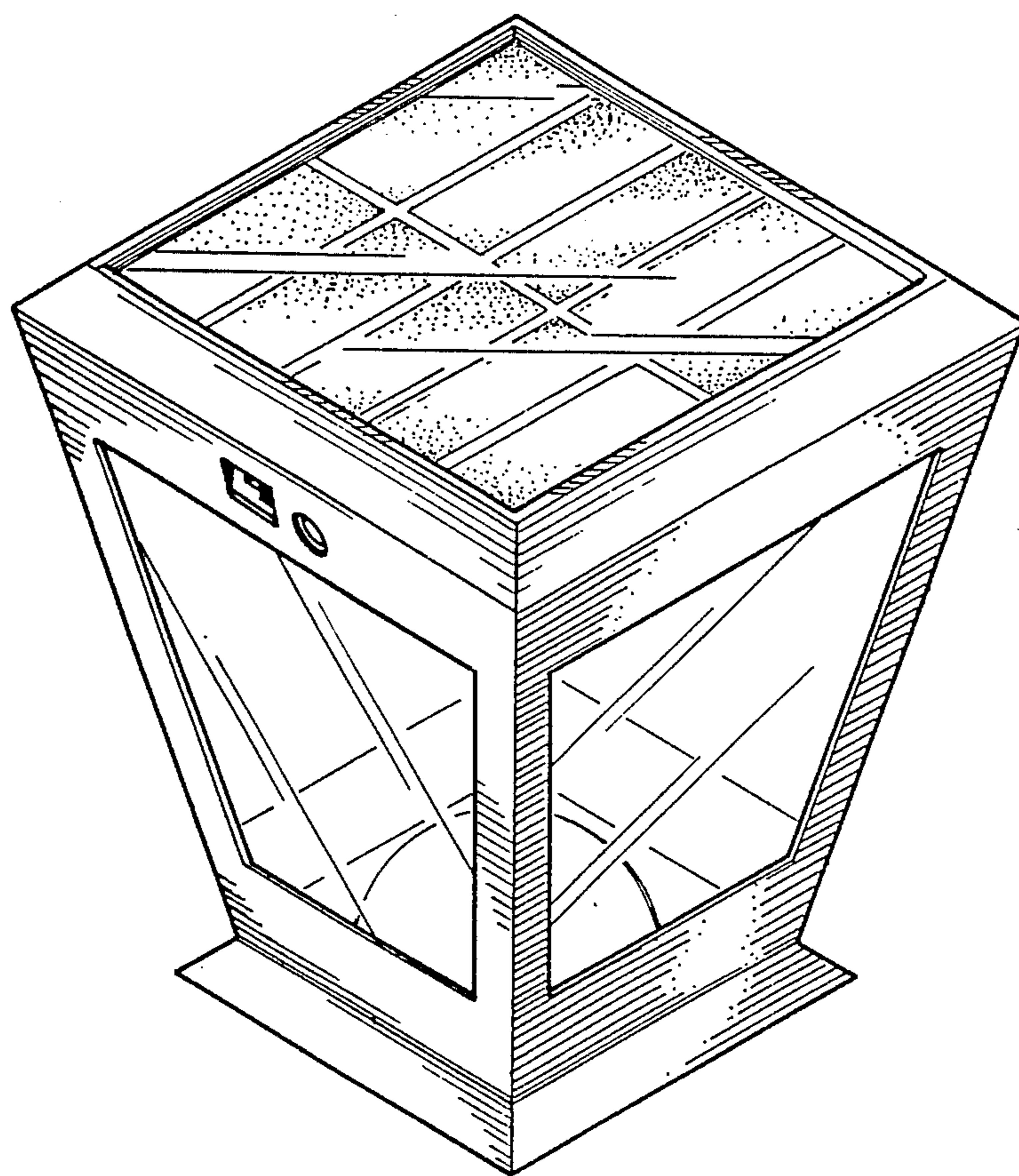


FIG. 1

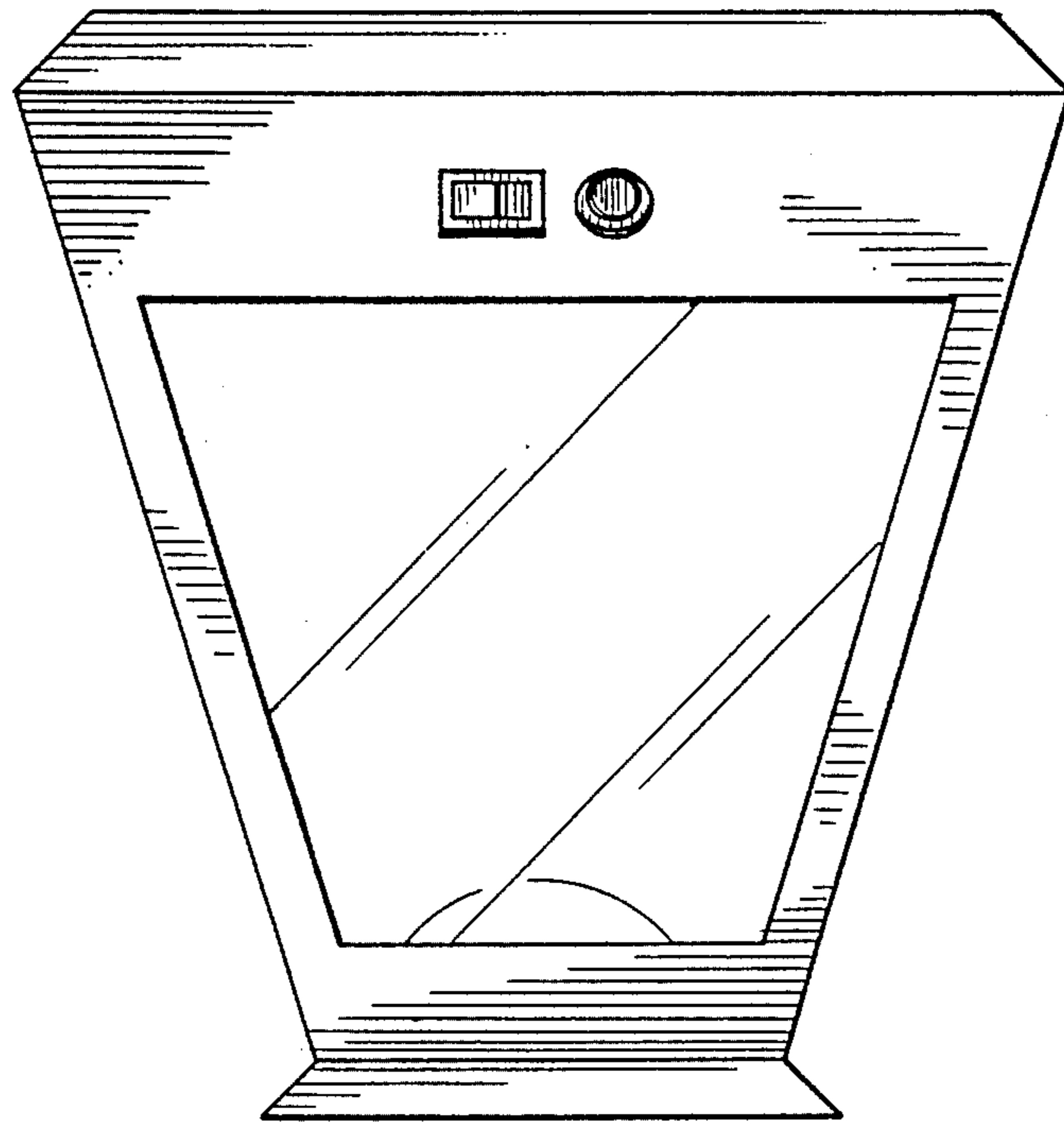


FIG. 2

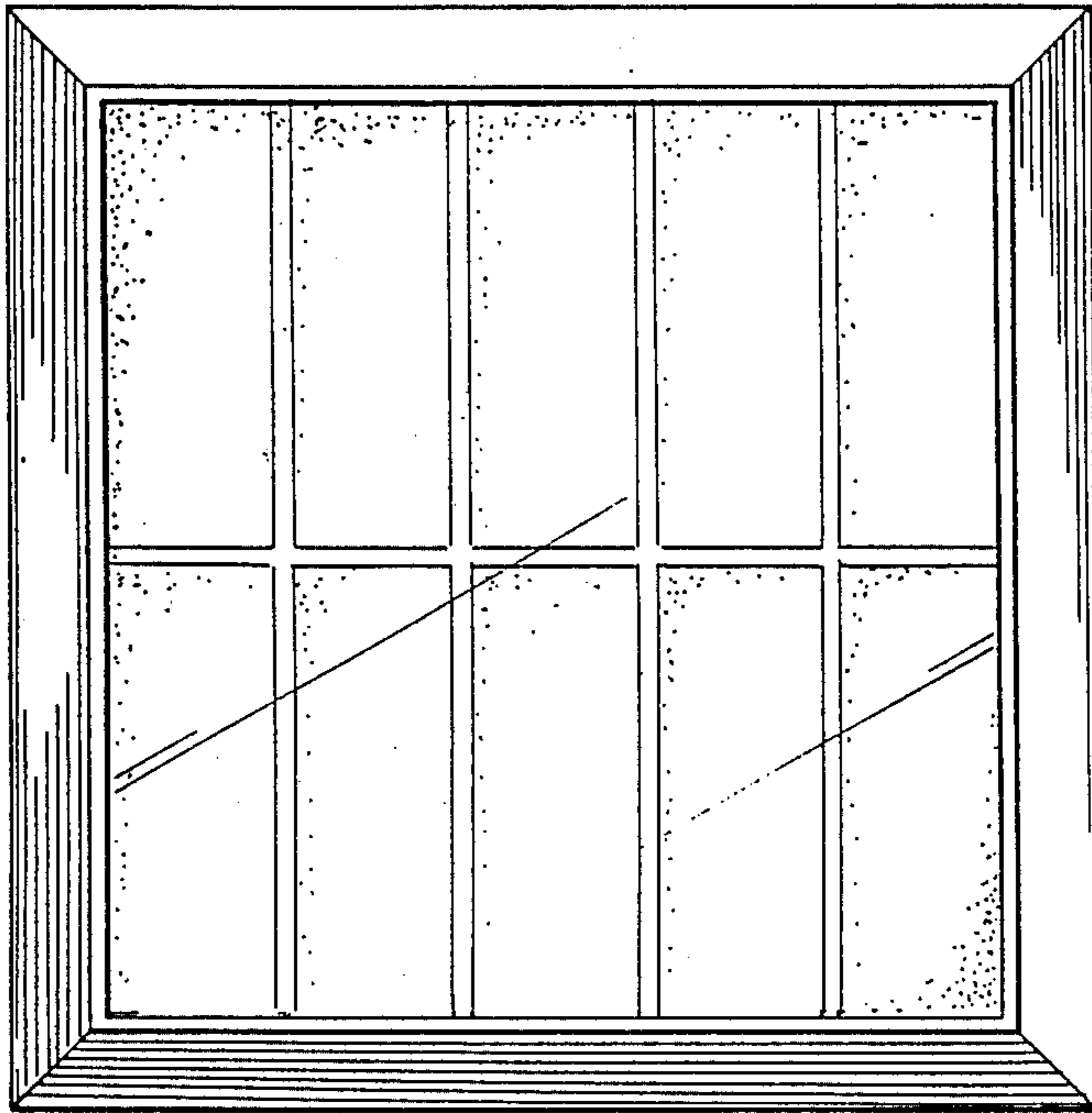


FIG. 3

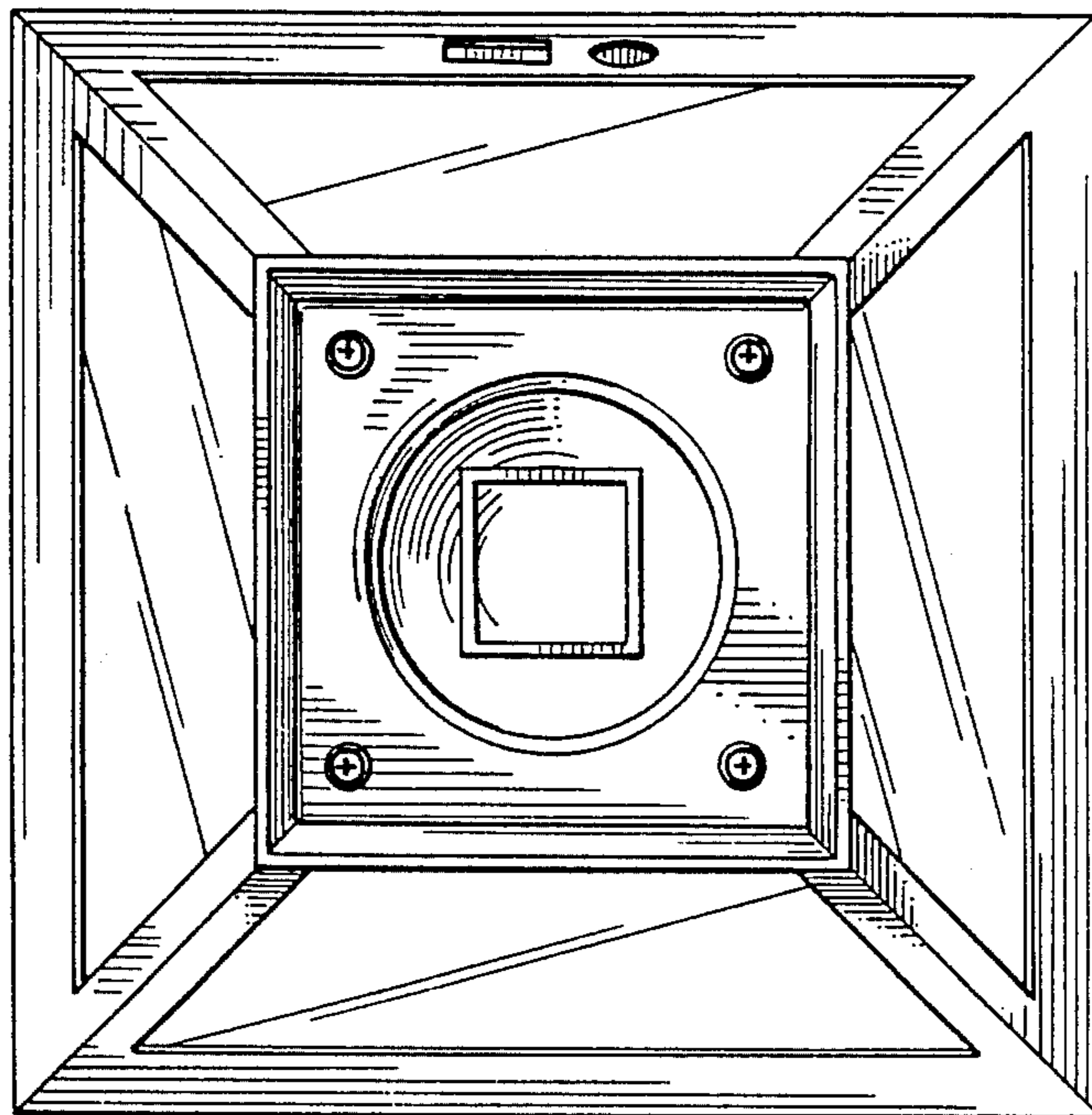


FIG. 4

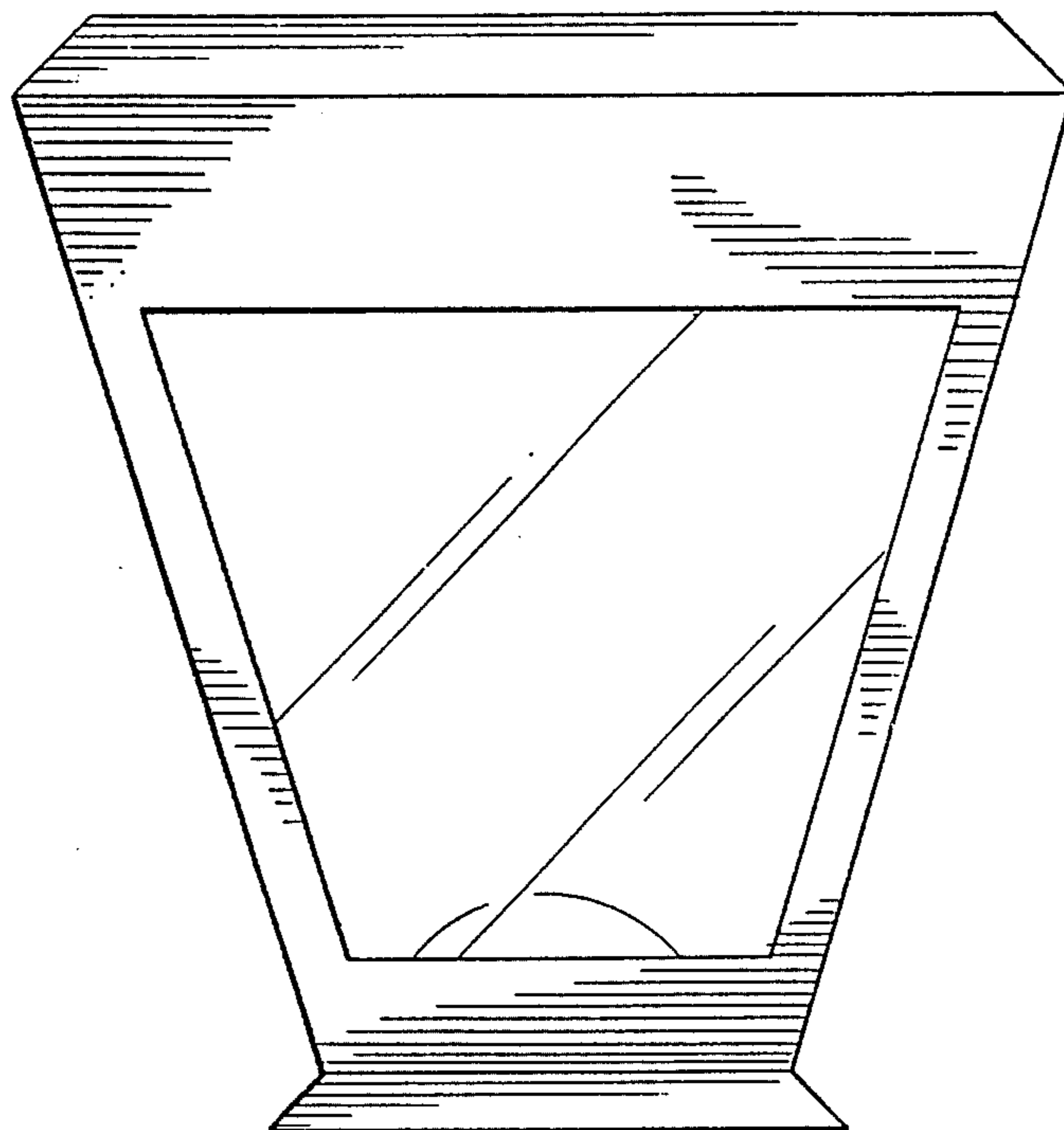


FIG. 5