

[54] **SOLAR POWERED LIGHT**

[76] **Inventor: Tseng L. Chien, Suite 8-6, No. 9,
San-Min Rd., Taipei, Taiwan**

[**] **Term: 14 Years**

[21] **Appl. No.: 280,991**

[22] **Filed: Dec. 7, 1988**

[30] **Foreign Application Priority Data**

Oct. 8, 1988 [TW] Taiwan 77305864

[52] **U.S. Cl.** D26/67; D26/93

[58] **Field of Search** D26/67-71,
D26/93, 102-110; 362/431, 410, 183, 362, 147,
267; 136/291

[56] **References Cited**

U.S. PATENT DOCUMENTS

4,200,904 4/1980 Doan 362/431 X
4,441,143 4/1984 Richardson, Jr. 362/183
4,816,970 3/1989 Garcia, Jr. 362/183

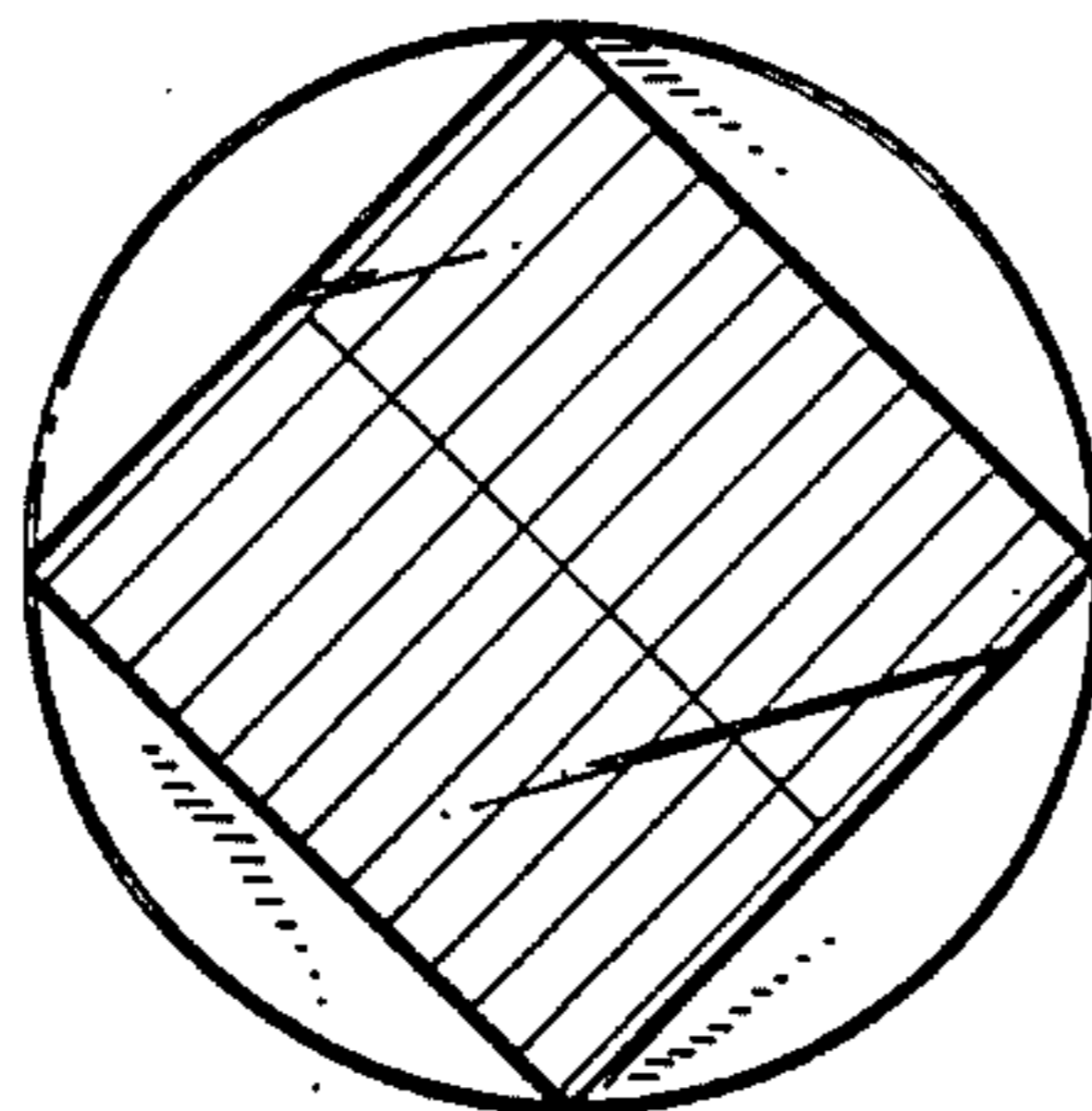
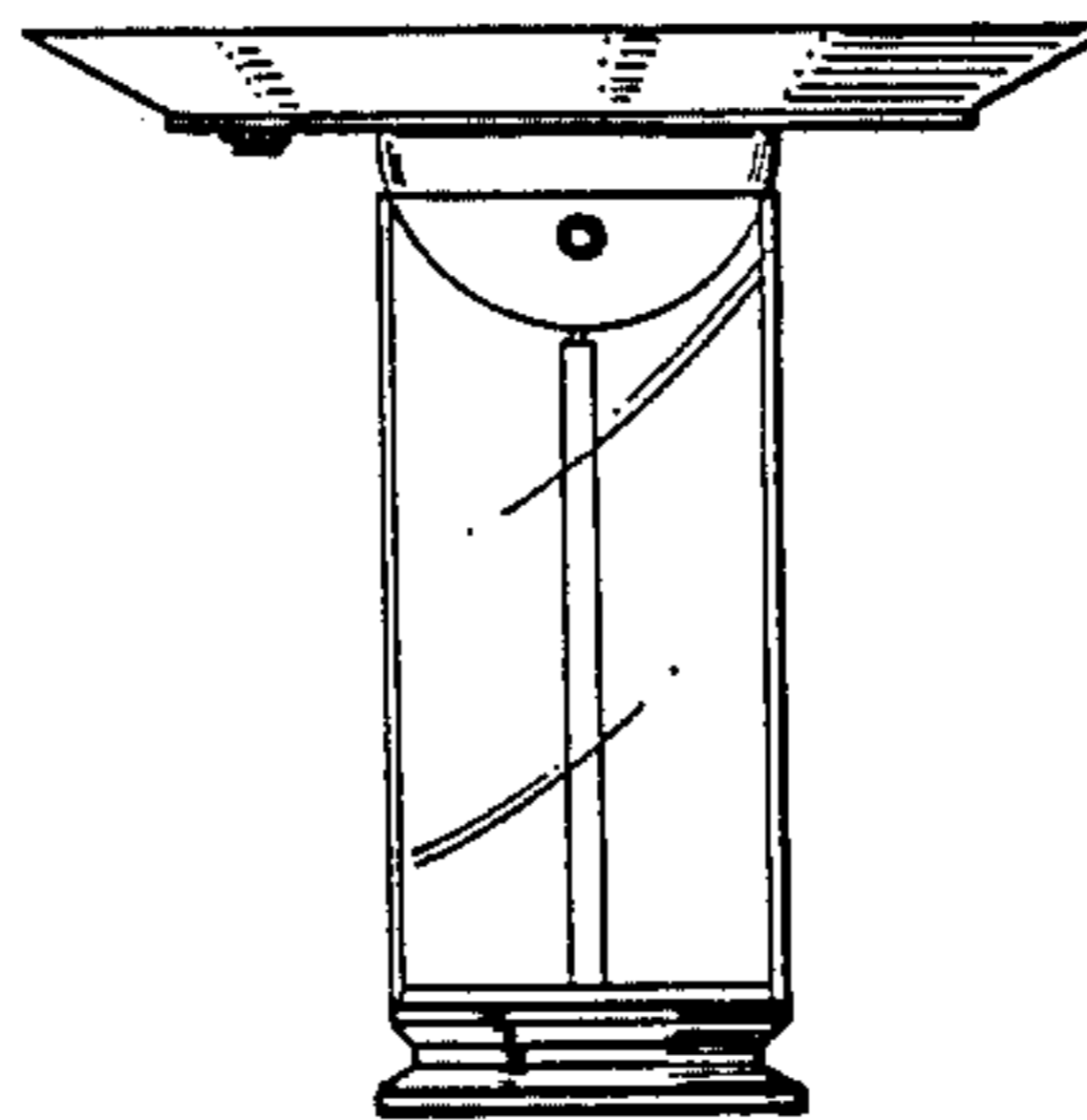
Primary Examiner—Susan J. Lucas
Attorney, Agent, or Firm—Bacon & Thomas

[57] **CLAIM**

The ornamental design for a solar powered light, as shown and described.

DESCRIPTION

FIG. 1 is a bottom, front perspective view of a solar powered light showing my new design;
FIG. 2 is a front elevational view thereof;
FIG. 3 is a rear elevational view thereof;
FIG. 4 is a left side elevational view thereof, the right side being a mirror image;
FIG. 5 is a top plan view thereof; and
FIG. 6 is a bottom plan view thereof.



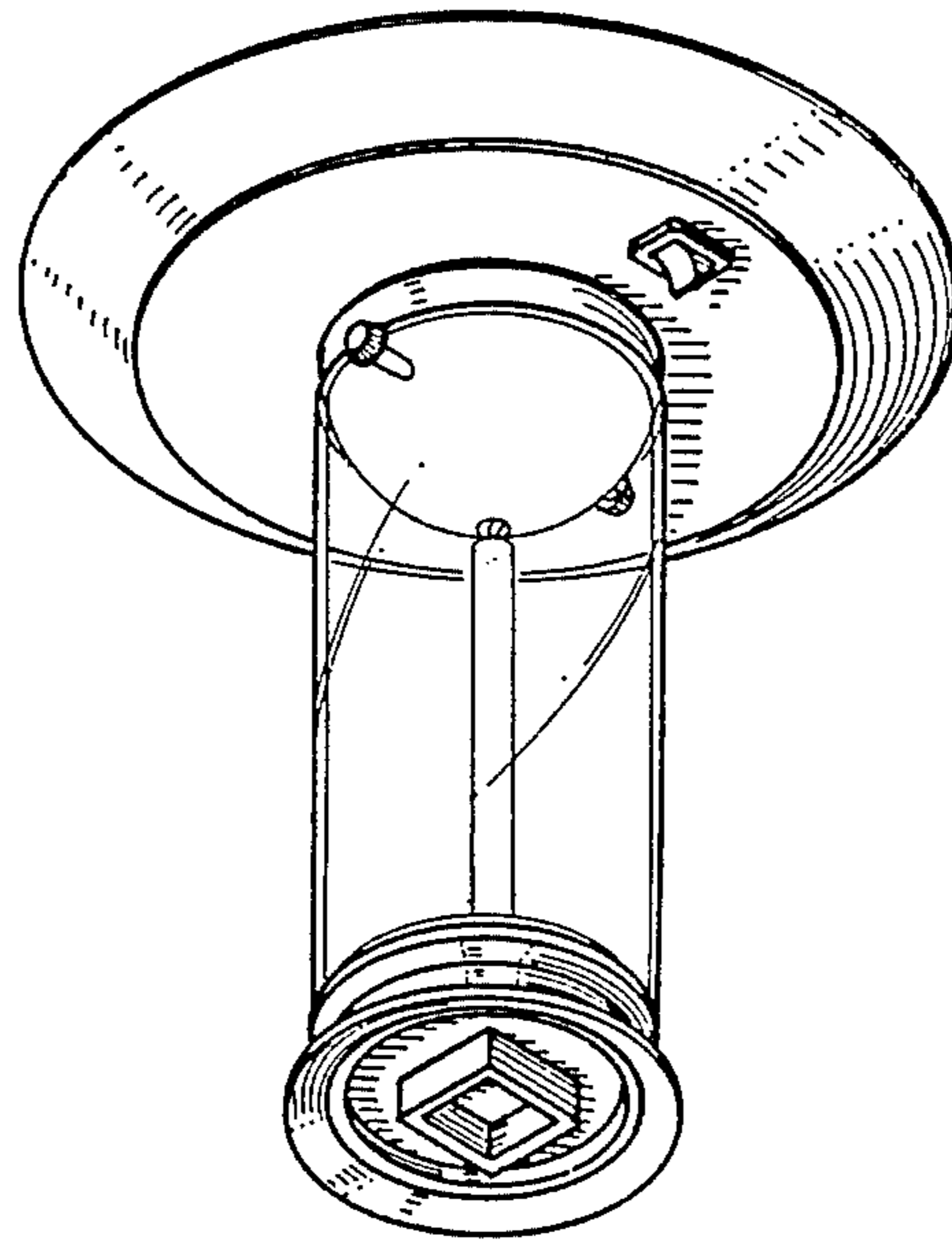


FIG. 1.

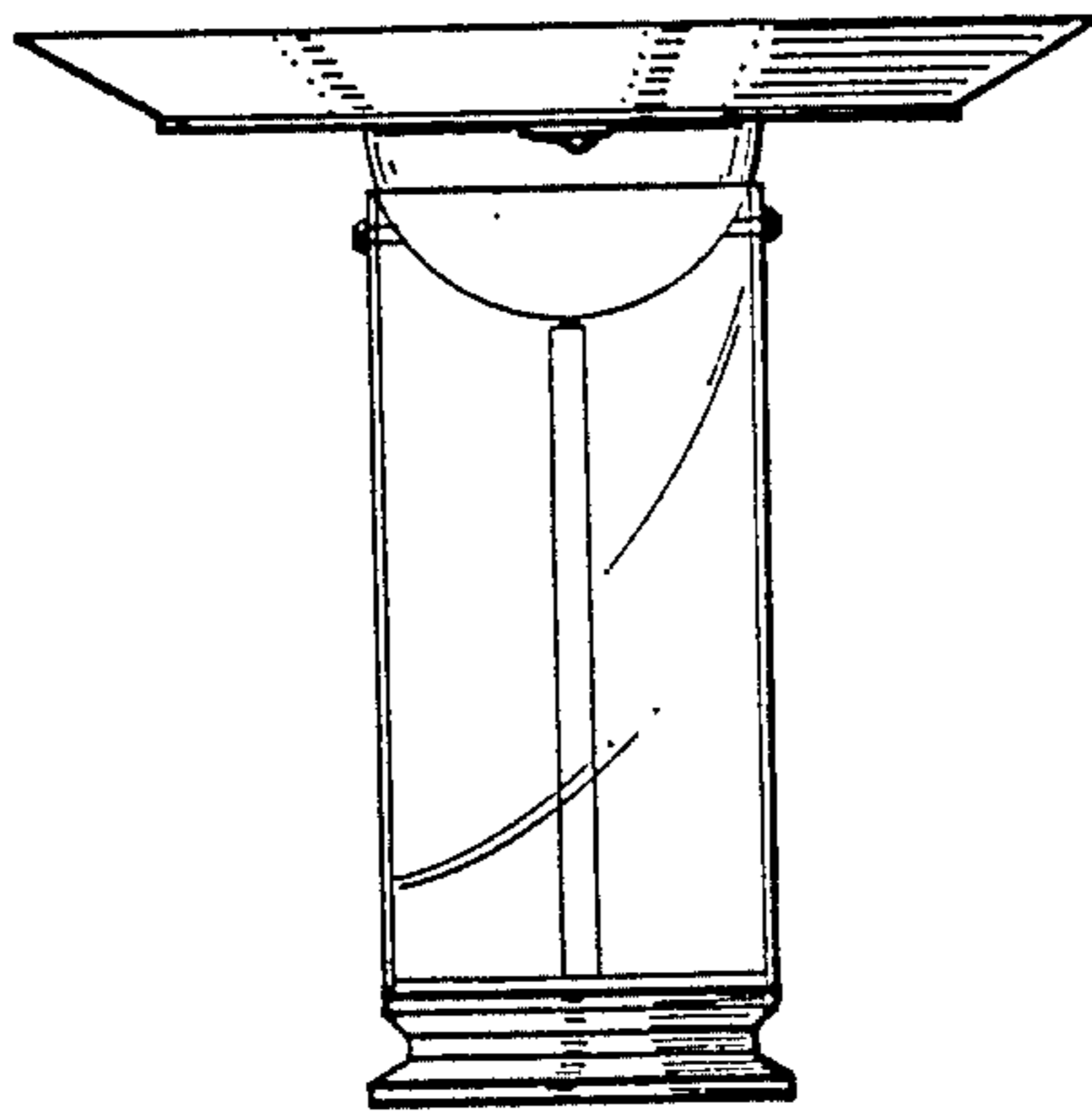


FIG. 2.

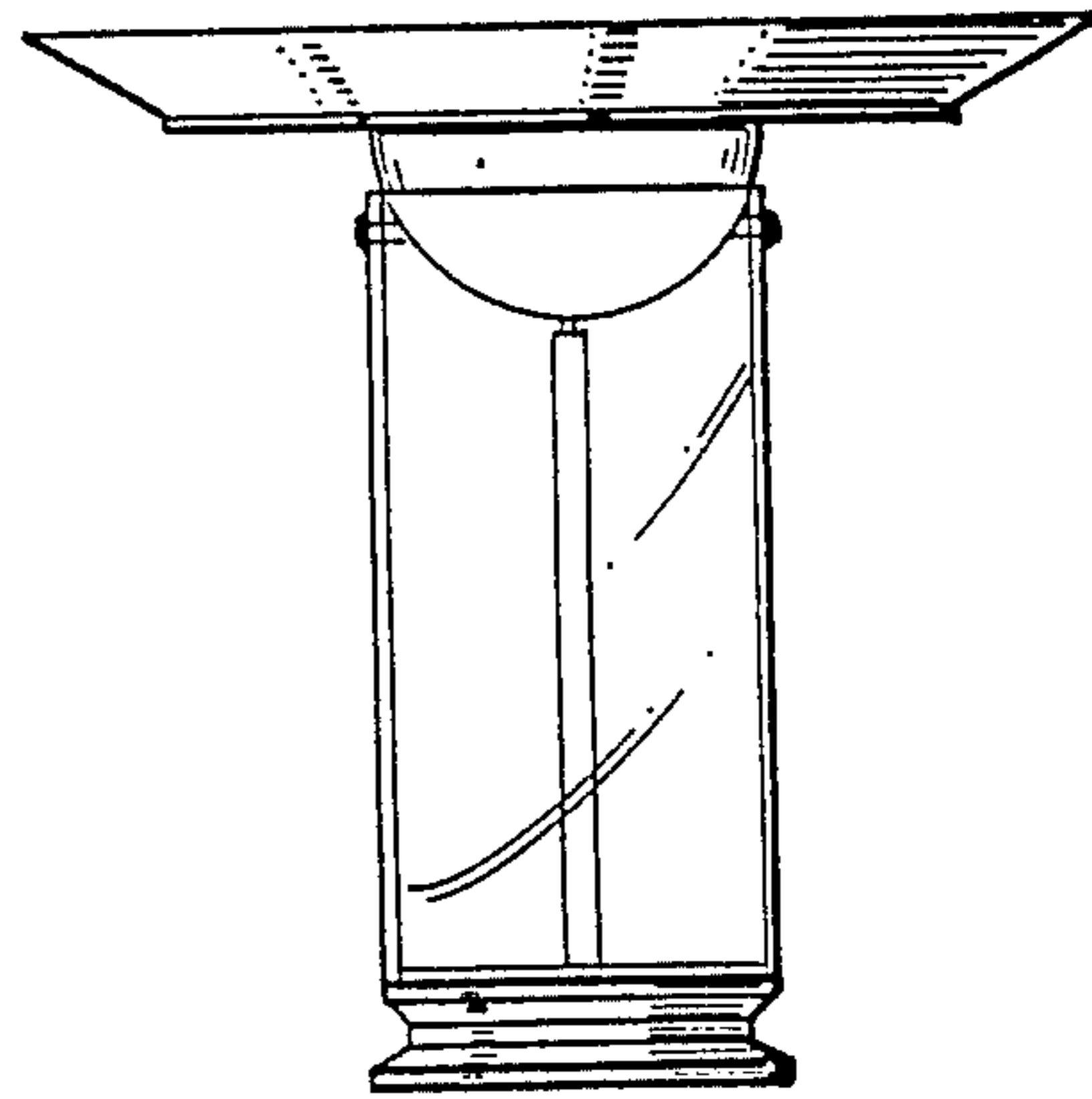


FIG. 3.

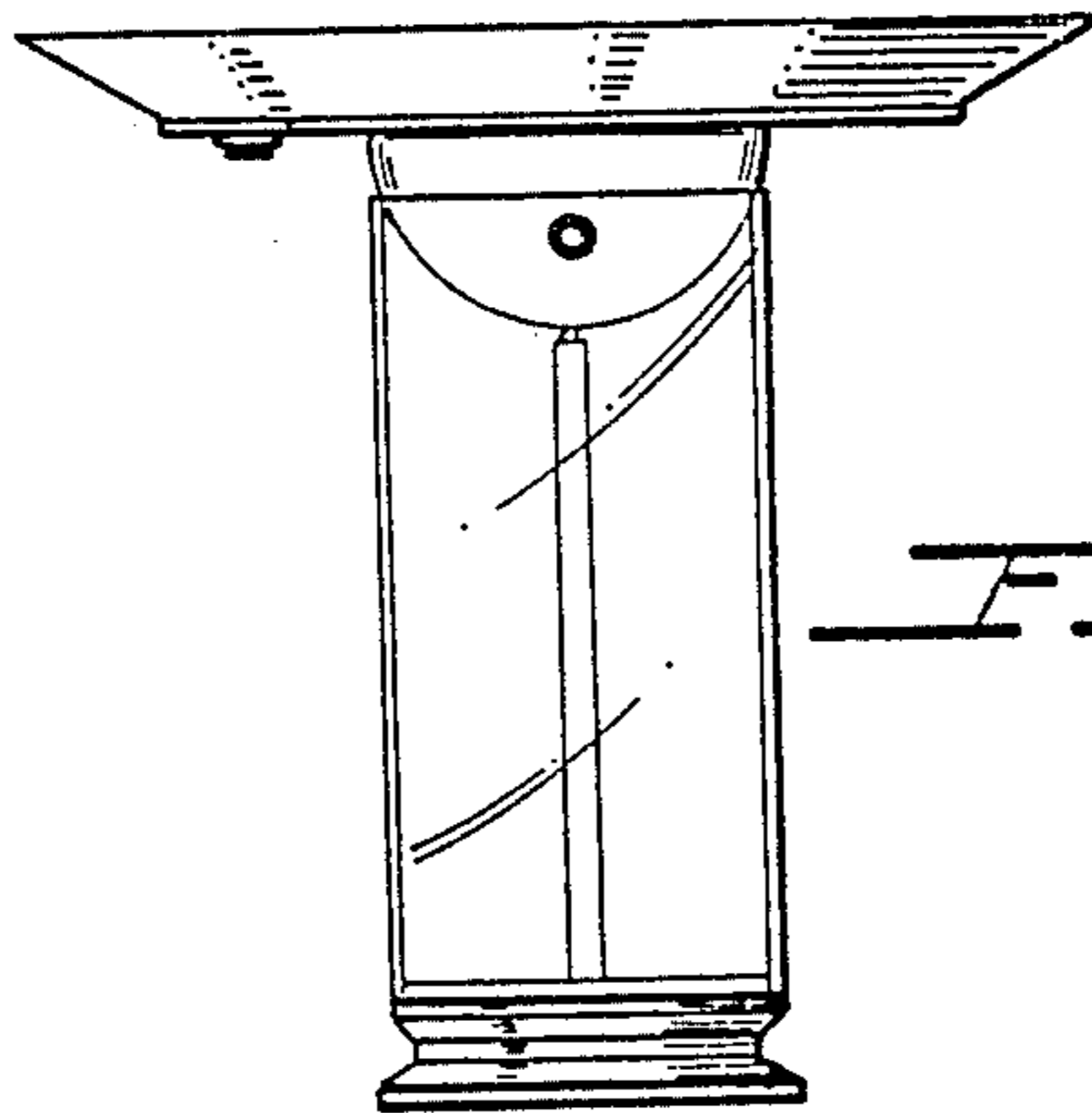


FIG. 4.

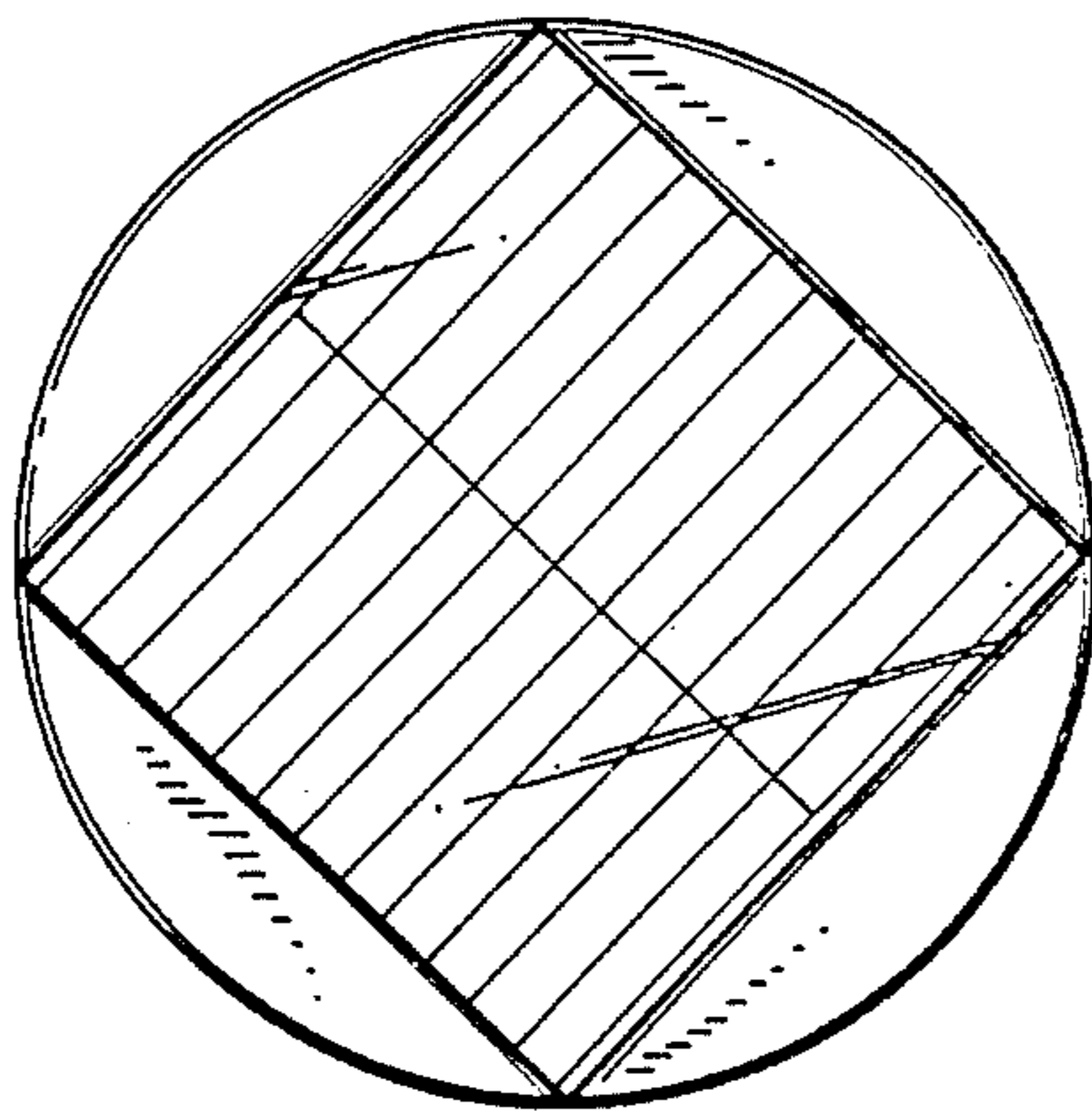


FIG. 5.

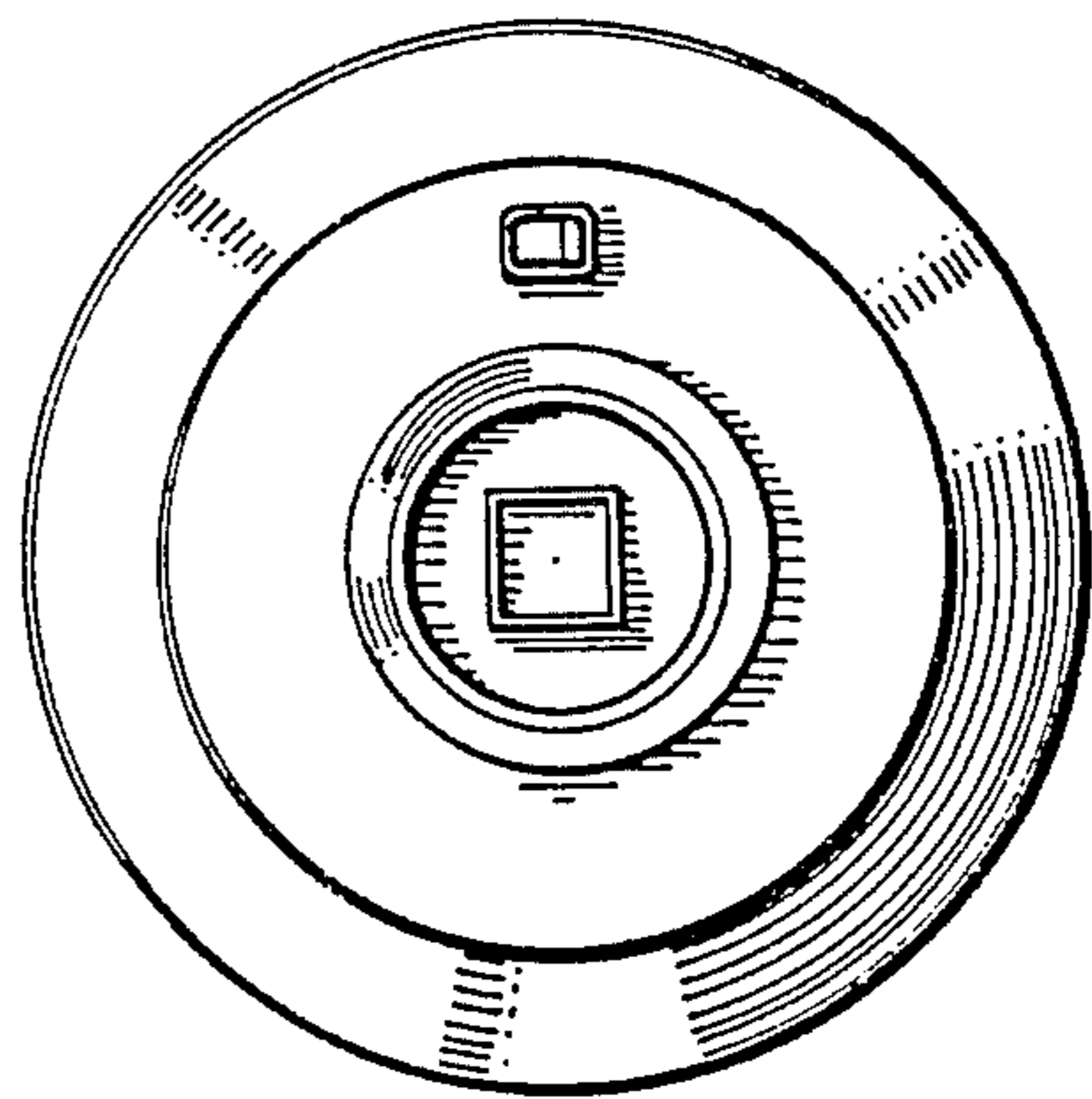


FIG. 6.