

[54] SOLAR POWERED LIGHT

[76] Inventor: Tseng L. Chien, Suite 8-6, No. 9, San-Min Rd., Taipei, Taiwan

[**] Term: 14 Years

[21] Appl. No.: 280,993

[22] Filed: Dec. 7, 1988

[52] U.S. Cl. D26/67

[58] Field of Search D26/67-71; 362/431, 183, 432, 362, 267, 410, 147; 136/291

[56] References Cited

U.S. PATENT DOCUMENTS

D. 263,340	3/1982	Budnovitch et al.	D26/67
3,833,804	9/1974	Vesely	362/431 X
4,200,904	4/1980	Doan	362/431
4,441,143	4/1984	Richardson, Jr.	362/183
4,816,970	3/1989	Garcia, Jr.	362/183

OTHER PUBLICATIONS

Home Lighting & Accessories, 3-1985, p. 38, Solar Powered Outdoor Light.

Primary Examiner—Susan J. Lucas
Attorney, Agent, or Firm—Bacon & Thomas

[57] CLAIM

The ornamental design for a solar powered light, as shown and described.

DESCRIPTION

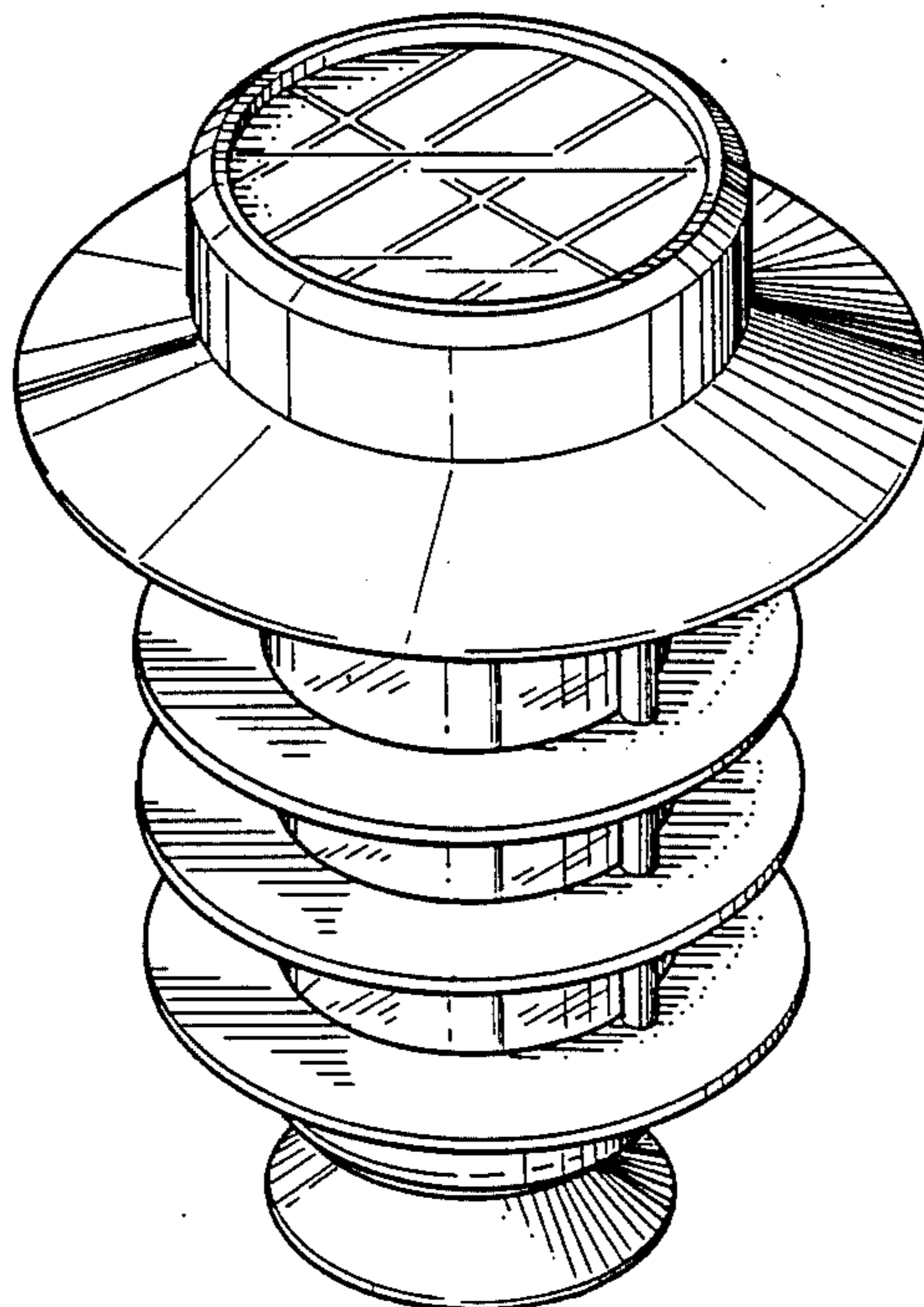
FIG. 1 is a top, front perspective view of a solar powered light showing my new design;

FIG. 2 is a front elevation view thereof, the rear being a mirror image;

FIG. 3 is a left side elevational view thereof, the right side being a mirror image;

FIG. 4 is a top plan thereof; and

FIG. 5 is a bottom plan view thereof.



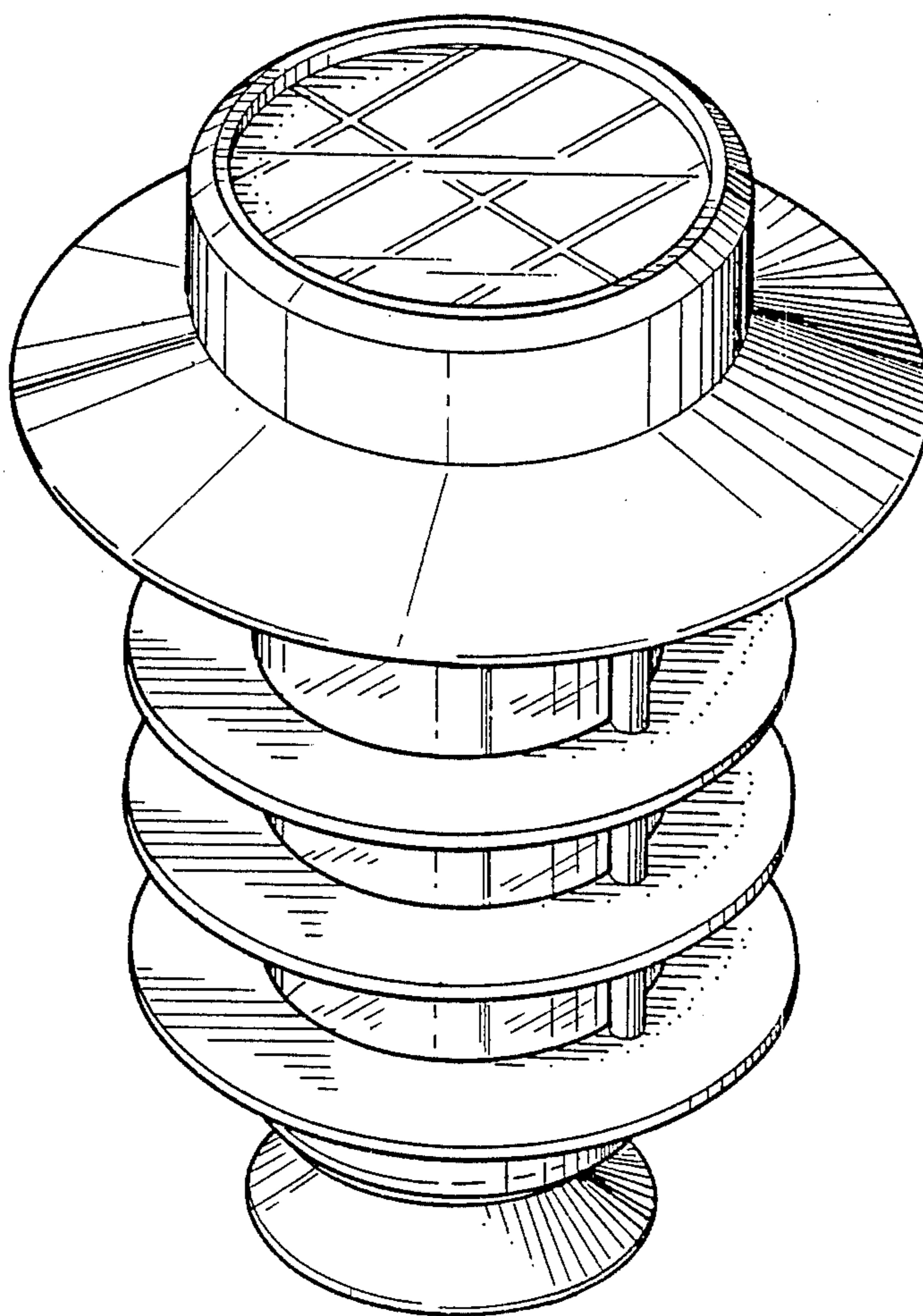


FIG. 1

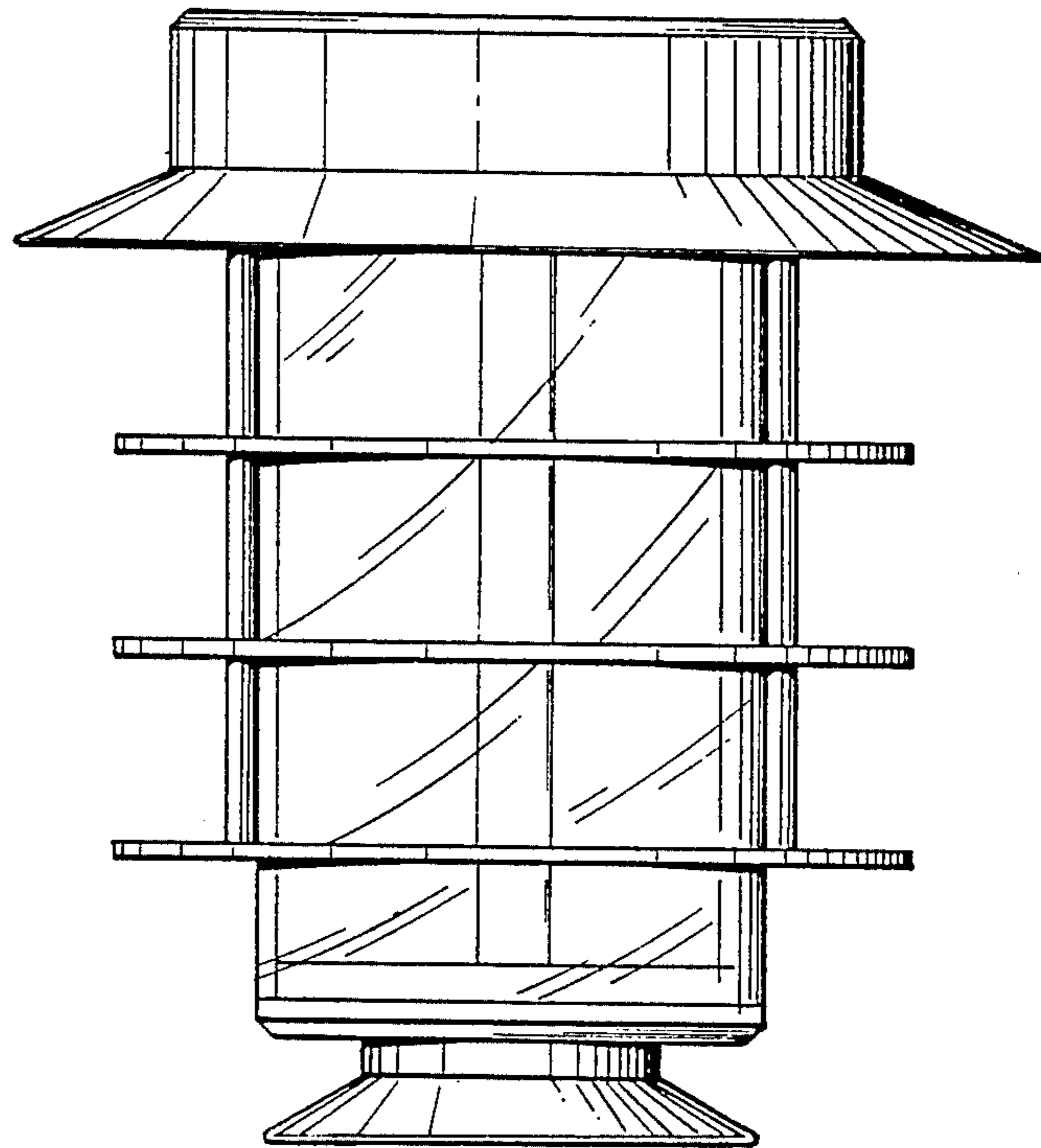


FIG. 2

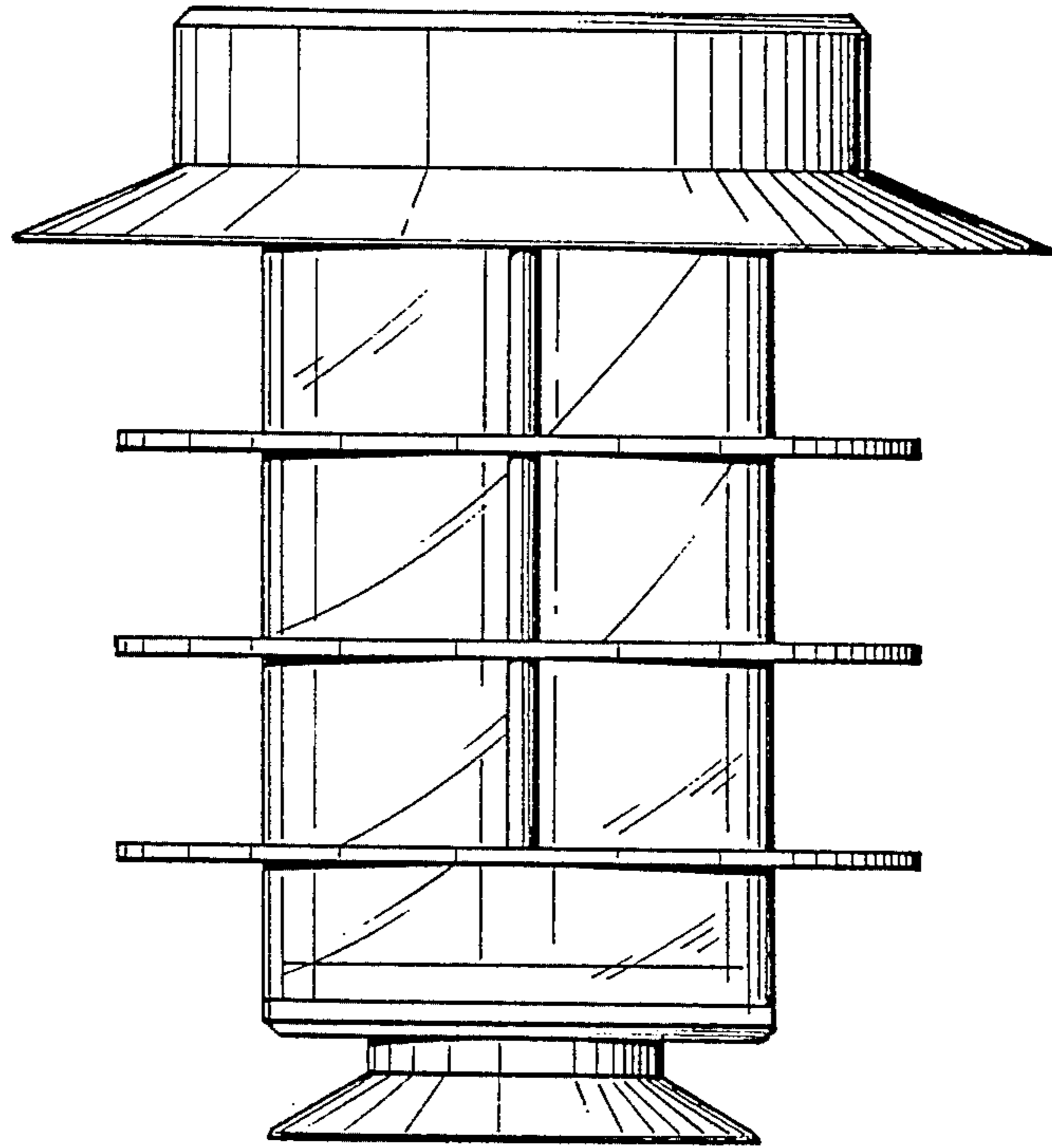


FIG. 3

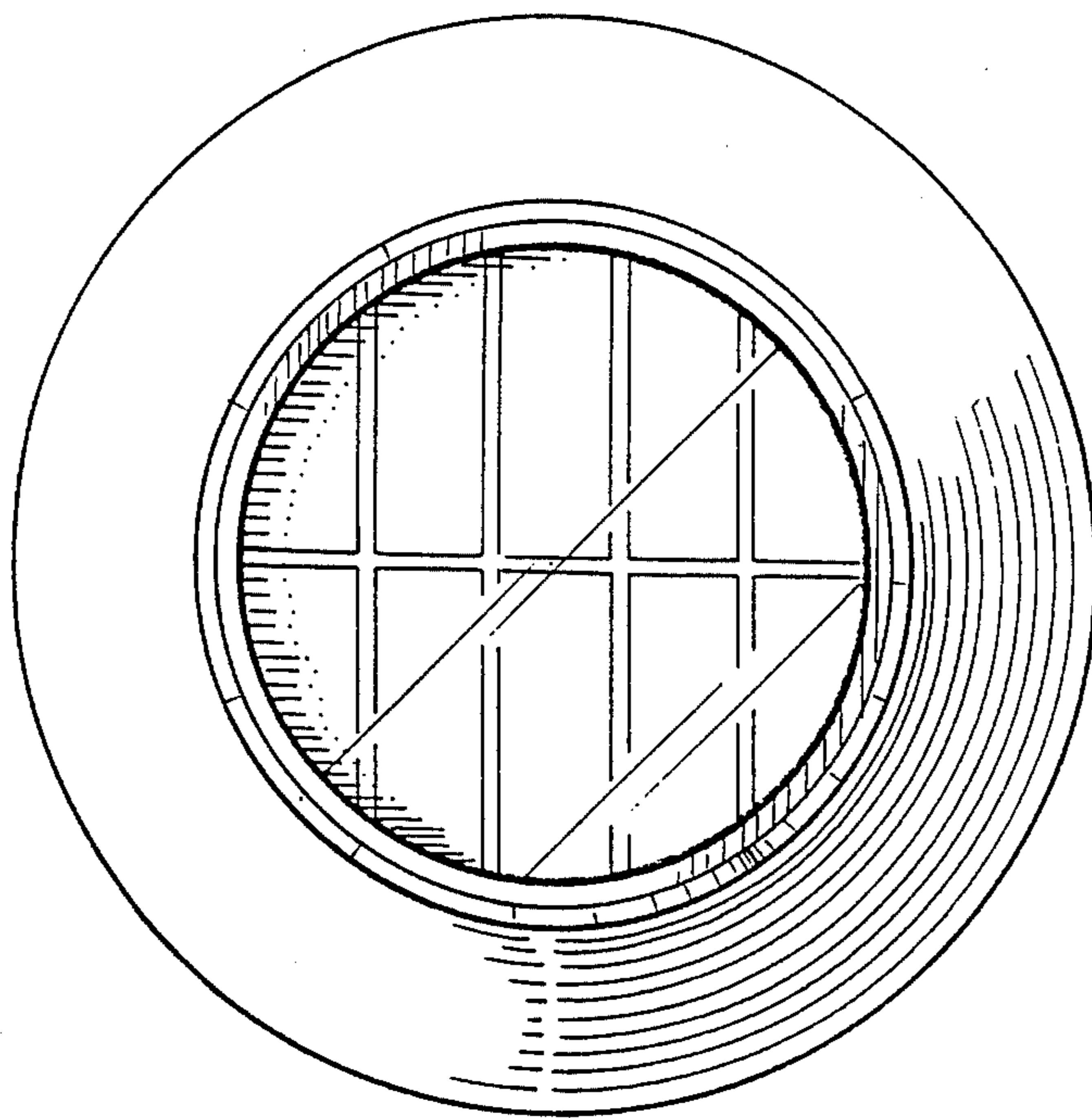


FIG. 4

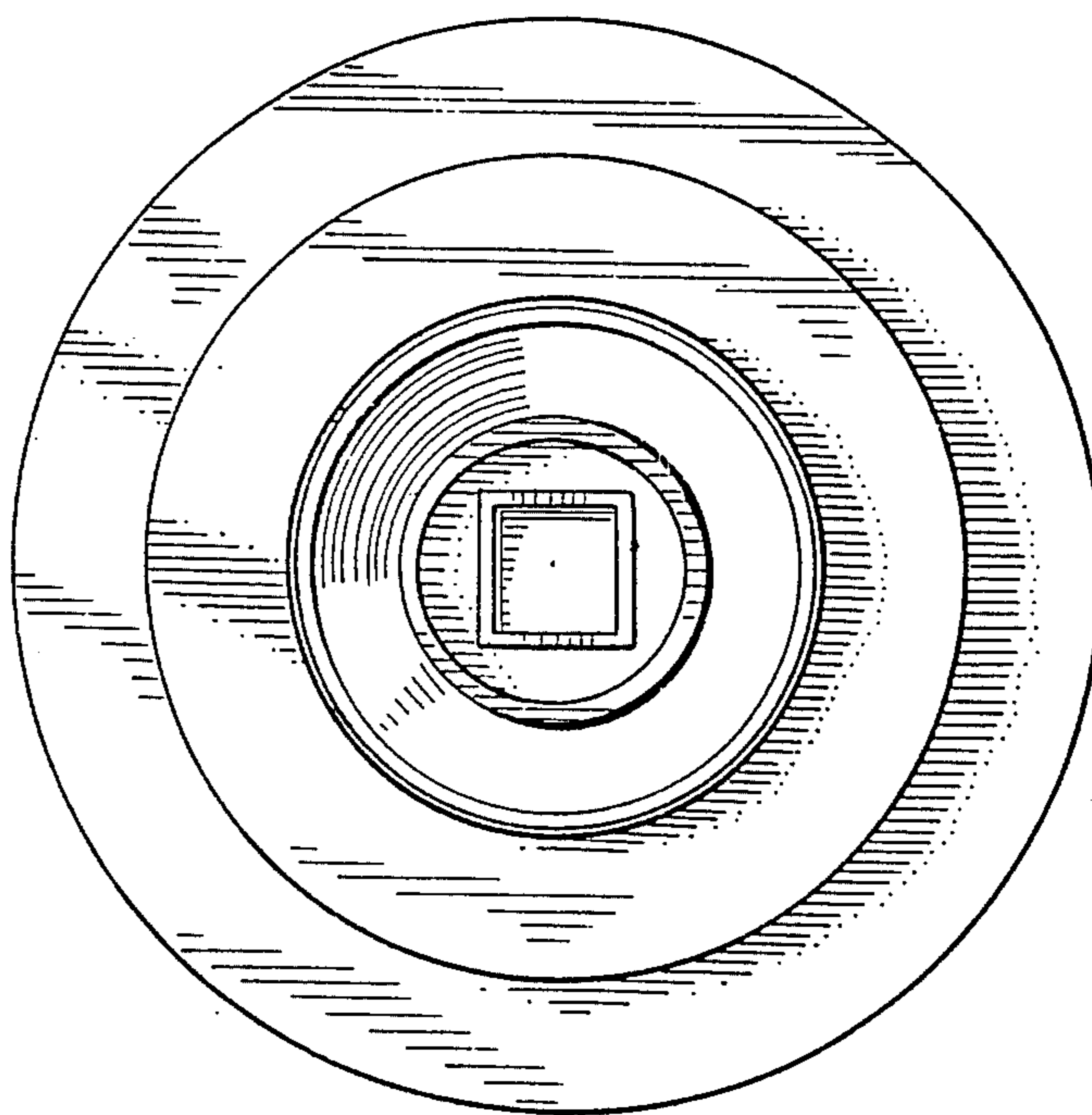


FIG. 5