

[54] **TRANSITION COUPLING**

[76] **Inventor: Will A. Lewis, 408 Locust Ave., SE.,
Huntsville, Ala. 35801**

[**] **Term: 14 Years**

[21] **Appl. No.: 867,741**

[22] **Filed: May 27, 1986**

[52] **U.S. Cl. D23/262**

[58] **Field of Search D23/259-269;
285/256**

[56] **References Cited**

U.S. PATENT DOCUMENTS

3,300,163 1/1967 Randolph 285/243
3,314,696 4/1967 Ferguson et al. 285/256

Primary Examiner—James R. Lagen

Attorney, Agent, or Firm—C. A. Phillips

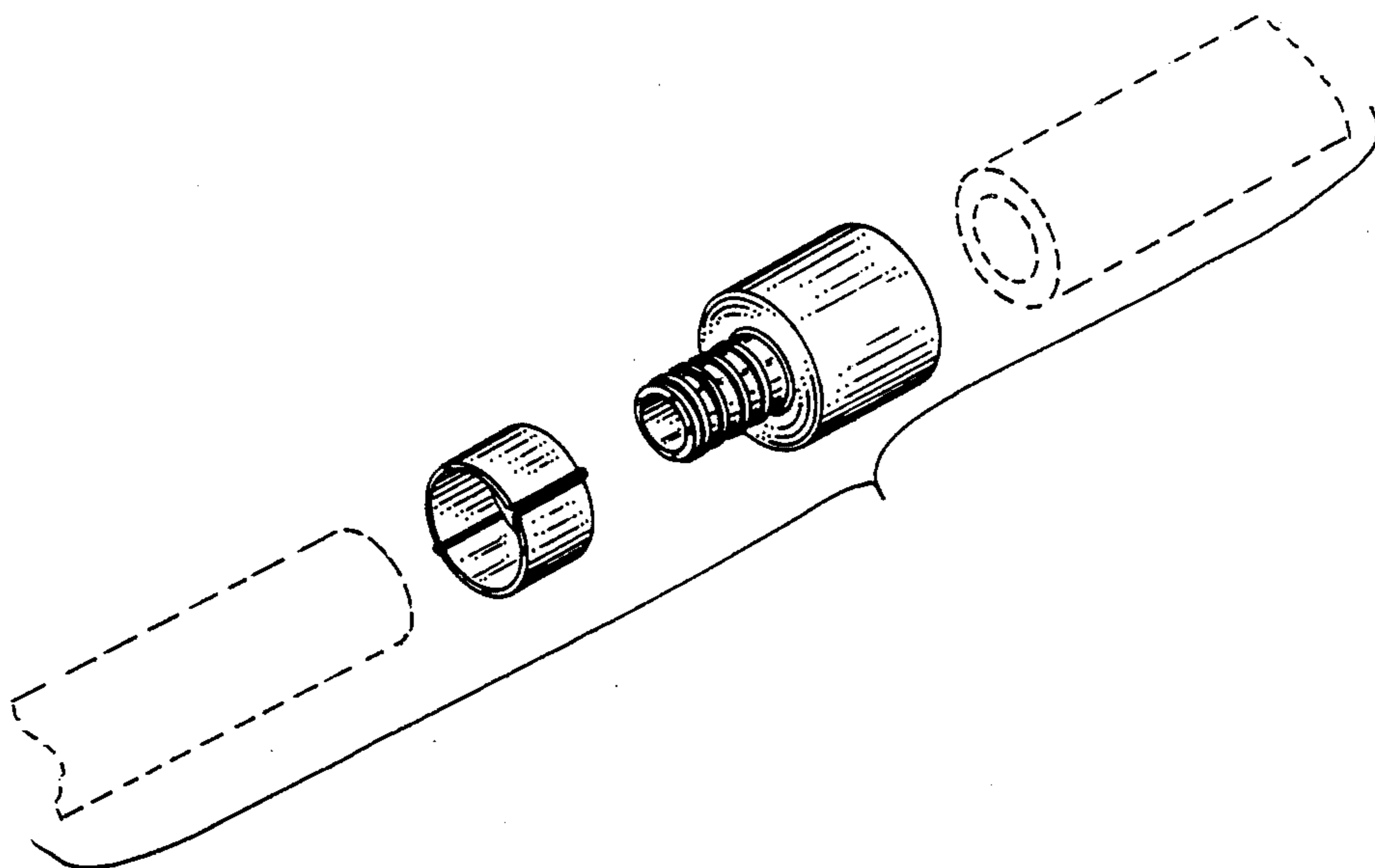
[57] **CLAIM**

The ornamental design for a transition coupling, as shown and described.

DESCRIPTION

FIG. 1 is an exploded perspective view of a transition coupling showing my new design;
FIG. 2 is a side elevational view thereof, the other sides being the same as the side shown;
FIG. 3 is an end elevational view taken from the right of FIG. 1; and
FIG. 4 is an end elevational view taken from the left of FIG. 1.

The fragmentary broken lines representation of pipes in FIGS. 1 and 2 are for purposes of illustration only and form no part of the claimed design.



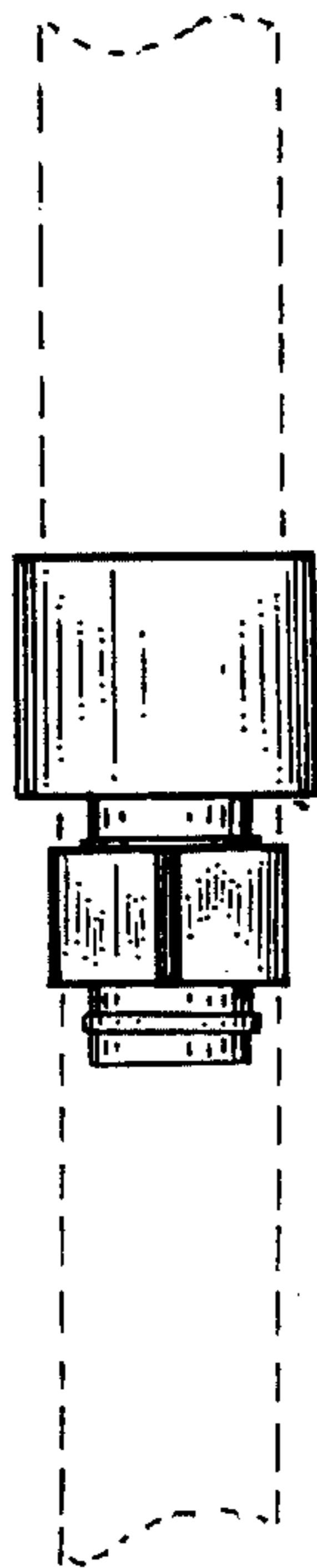


FIG. 2

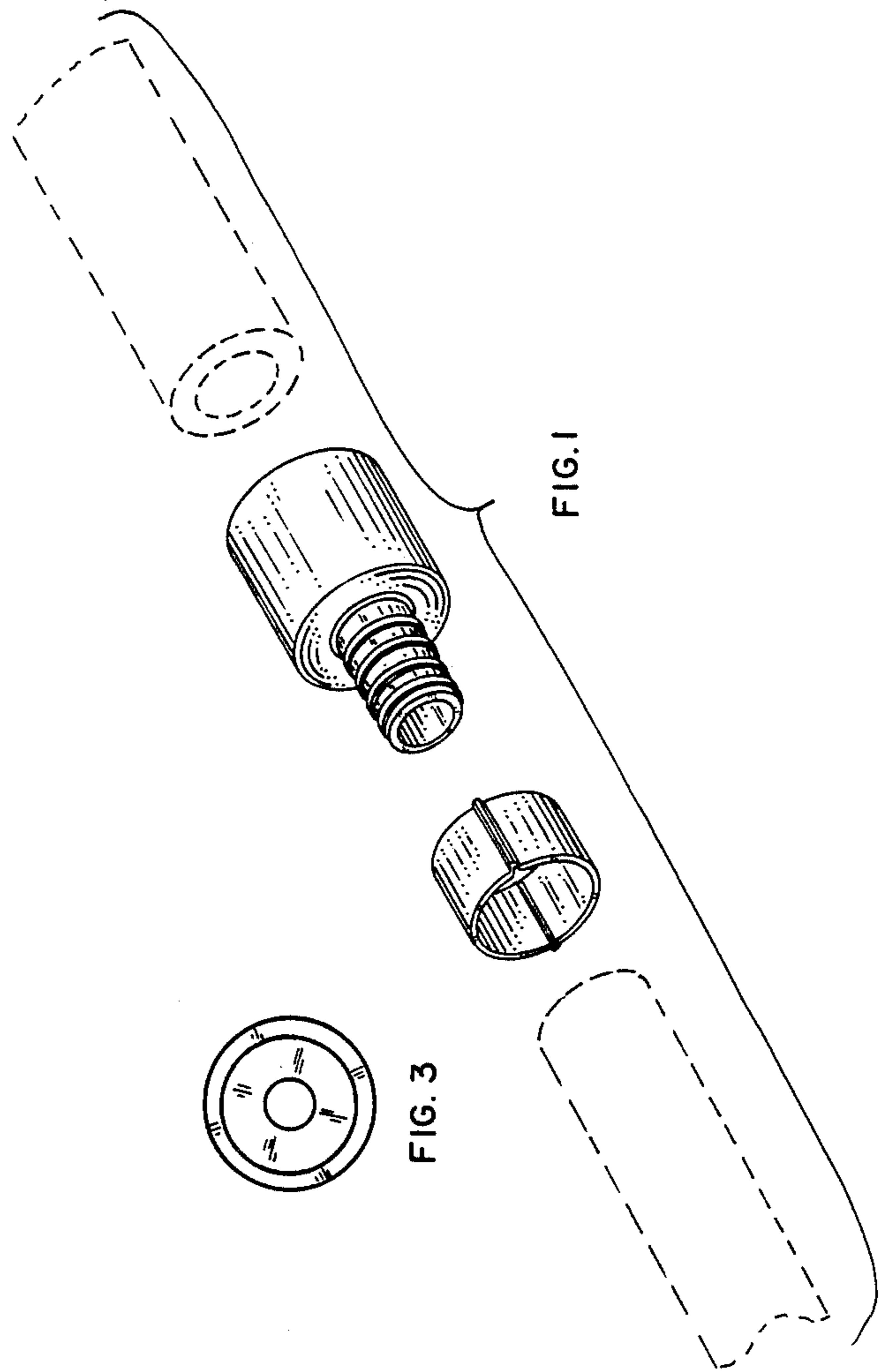


FIG. 1

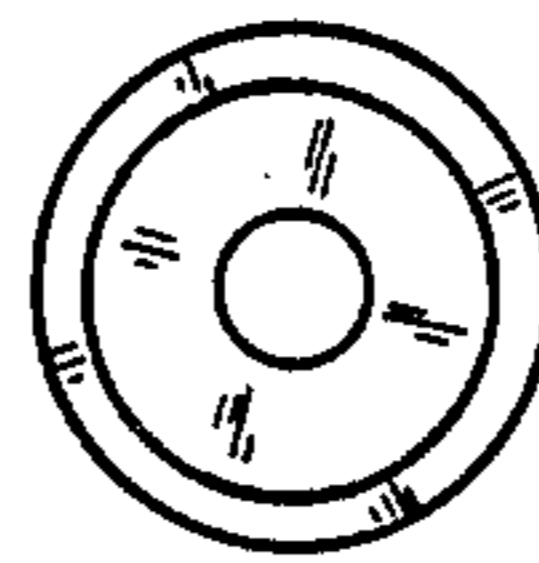


FIG. 3

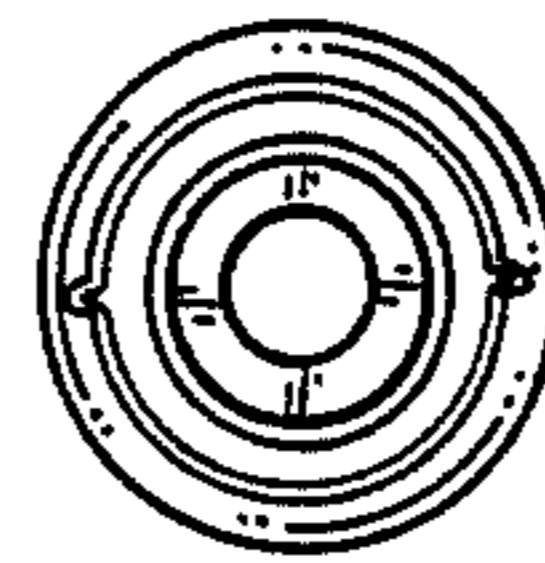


FIG. 4