

[54] **SHOWER HEAD**

[75] **Inventor:** Hing Wah Huen, Kowloon, Hong Kong

[73] **Assignee:** Fairform Mfg. Co., Ltd., Hong Kong, Hong Kong

[**] **Term:** 14 Years

[21] **Appl. No.:** 131,385

[22] **Filed:** Dec. 10, 1987

[30] **Foreign Application Priority Data**

Aug. 7, 1987 [GB] United Kingdom 1044059
[52] **U.S. Cl.** D23/223
[58] **Field of Search** D23/213, 222-230;
4/191-192, 447, 567-570, 599-603, 615, 596;
239/276-281, 282-283, 288.5, 310, 443-449,
456-460, 525, 530-532, 548, 550-552, 556-559,
562-565, 567, 581-583, 586-588

[56] **References Cited**

U.S. PATENT DOCUMENTS

D. 258,677 3/1981 Larsson D23/223
D. 269,540 6/1983 Larsson D23/223
3,865,310 2/1975 Elkins et al. 239/283
4,203,550 5/1980 On 239/449 X

OTHER PUBLICATIONS

"Hardware Age" item shower head, Aug. 1986, p. 216.

Primary Examiner—Susan J. Lucas

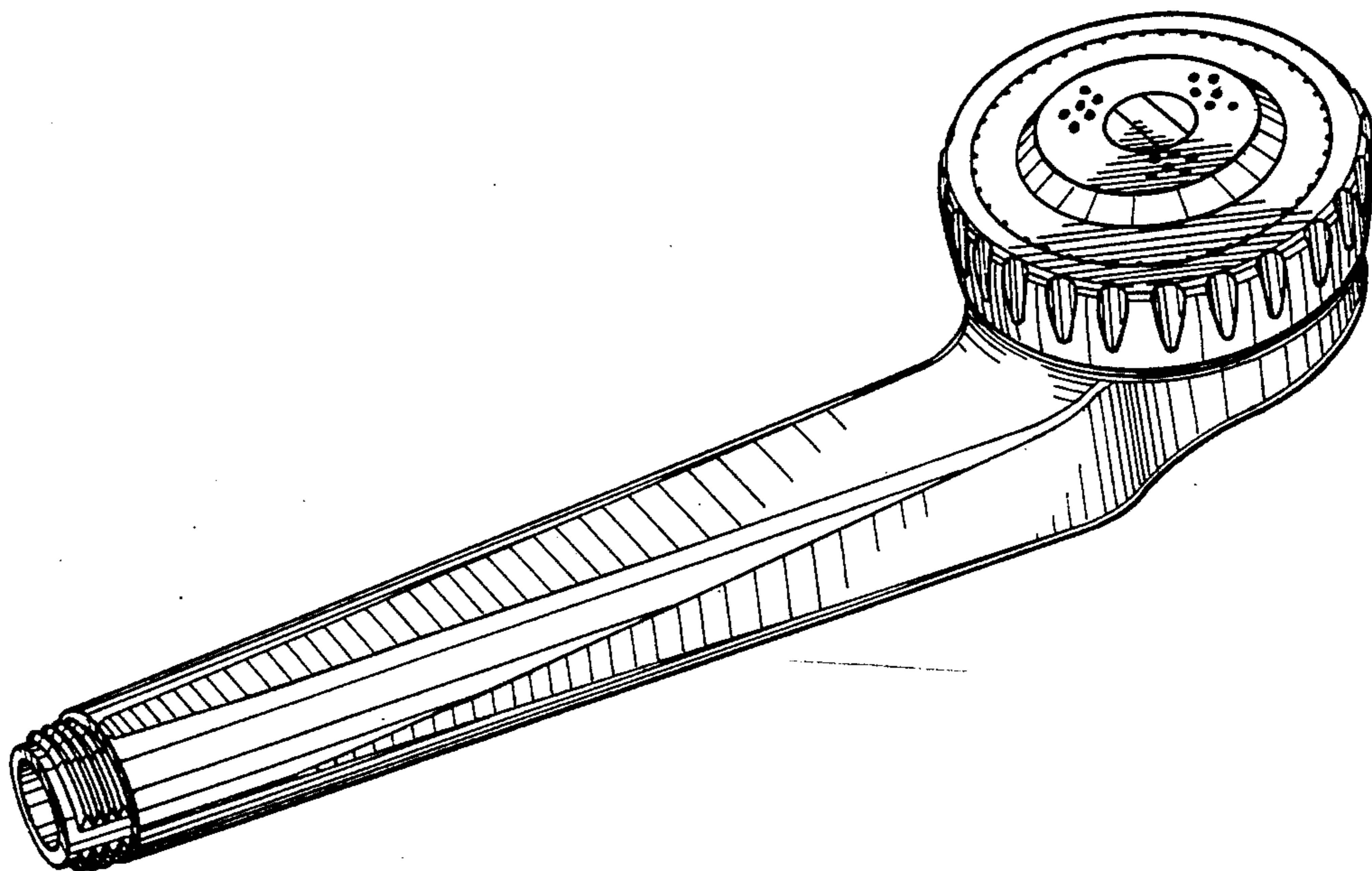
Assistant Examiner—M. H. Tung

[57] **CLAIM**

The ornamental design for a shower head, as shown and described.

DESCRIPTION

FIG. 1 is a front elevational view of a shower head showing my new design;
FIG. 2 is a right side elevational view thereof;
FIG. 3 is a rear elevational view thereof;
FIG. 4 is a left side elevational view thereof;
FIG. 5 is a top plan view thereof;
FIG. 6 is a bottom plan view thereof; and
FIG. 7 is a perspective view thereof.



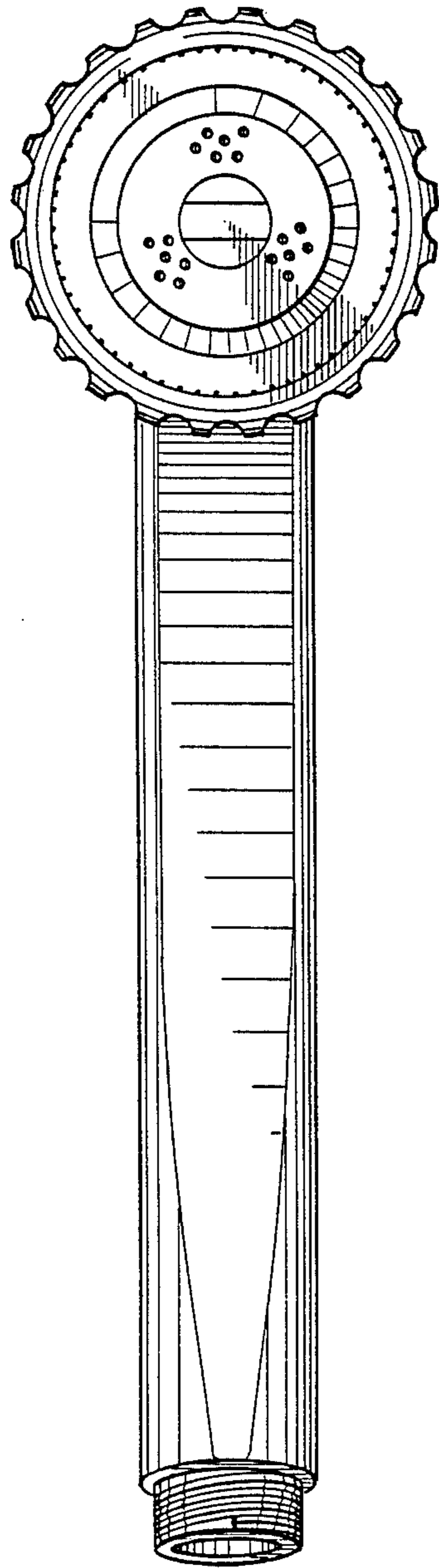


Fig. 1

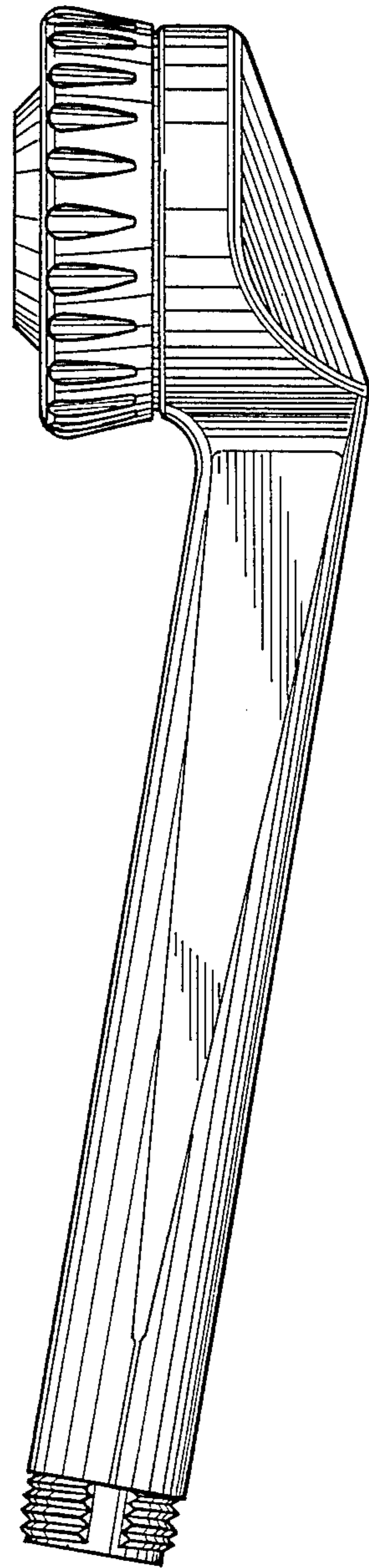


Fig. 2

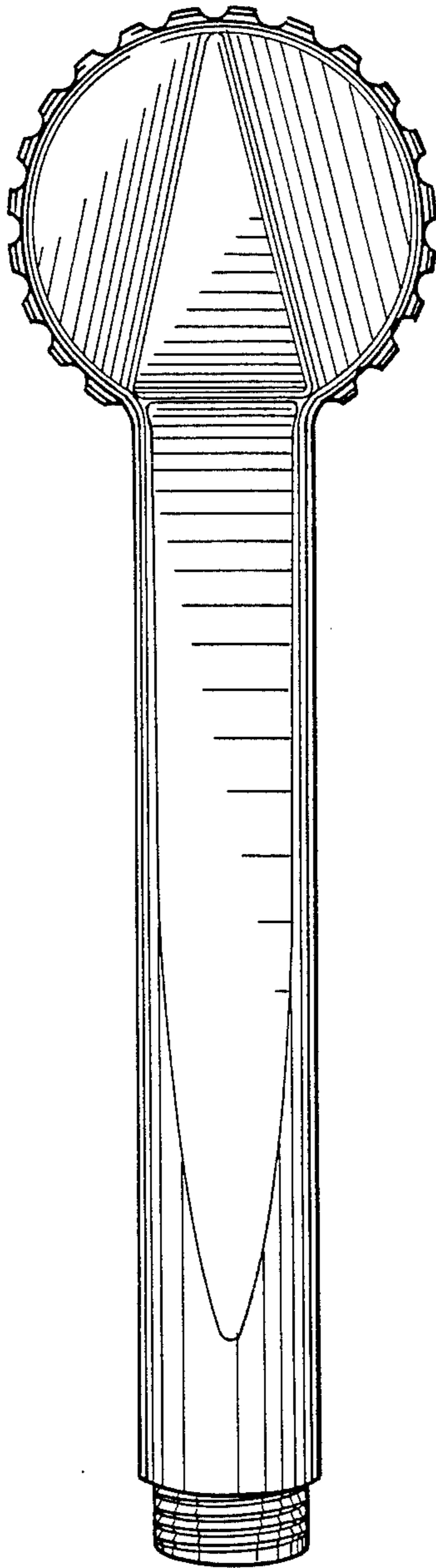


Fig. 3

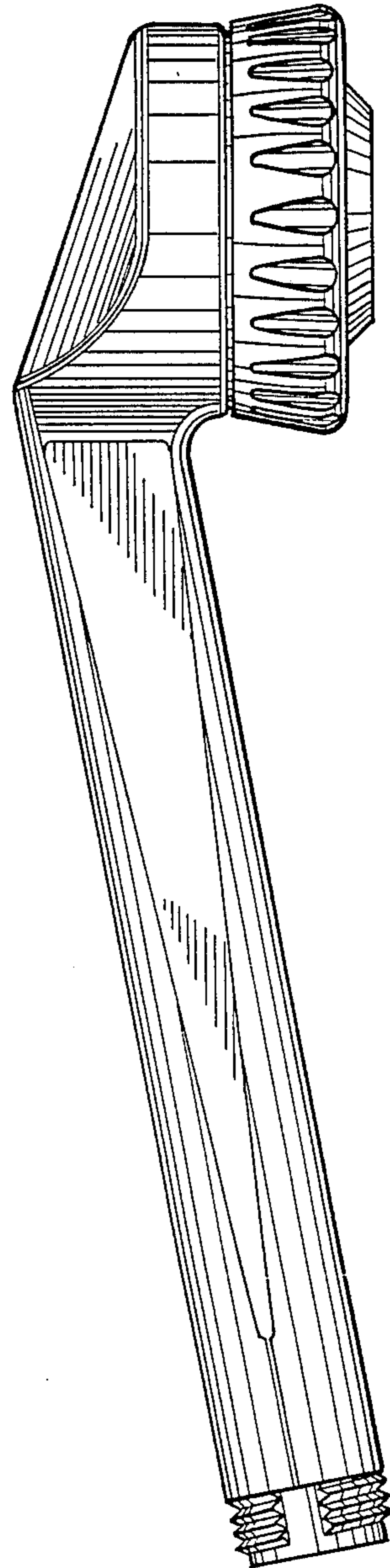


Fig. 4

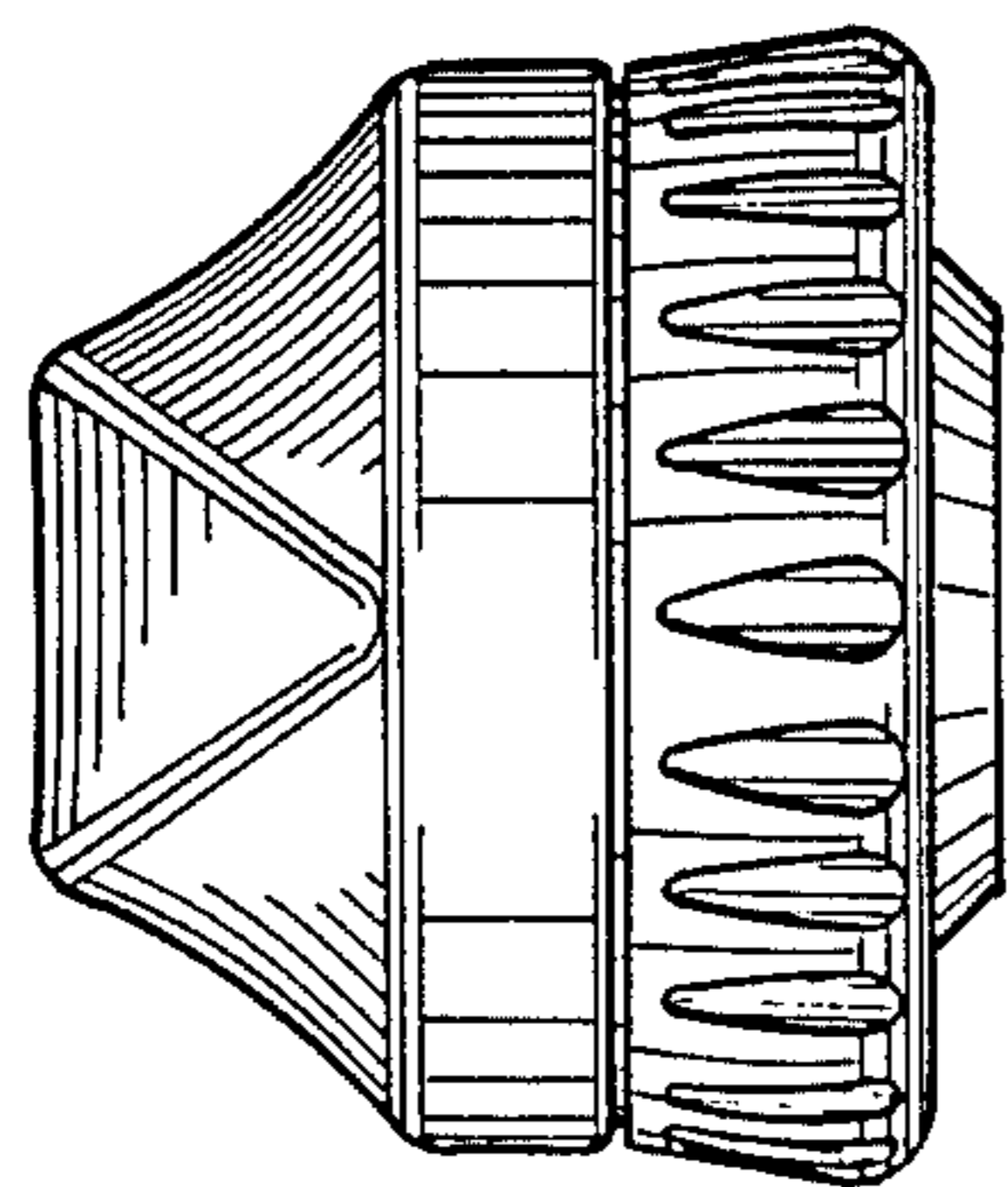


Fig. 5

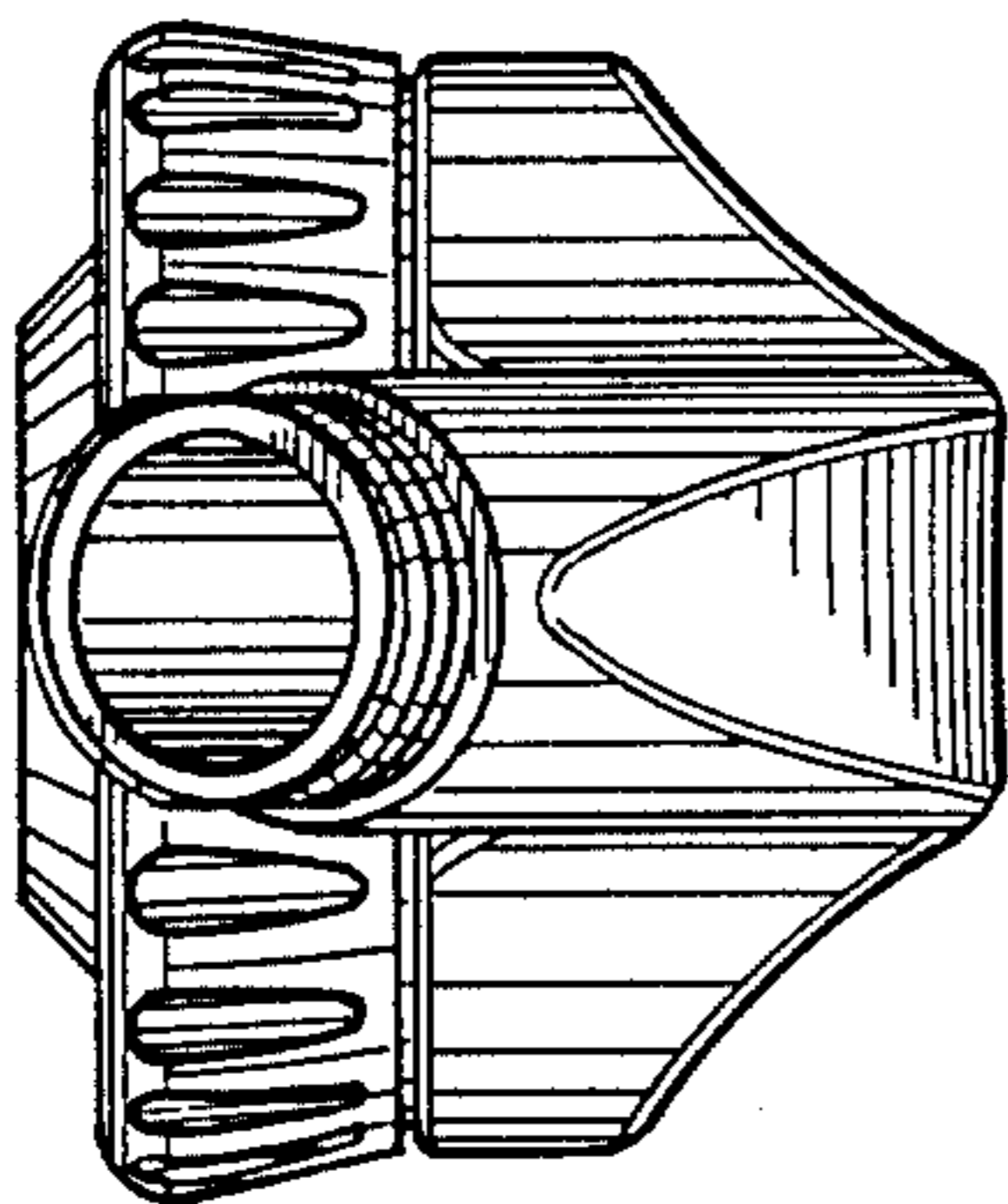


Fig. 6

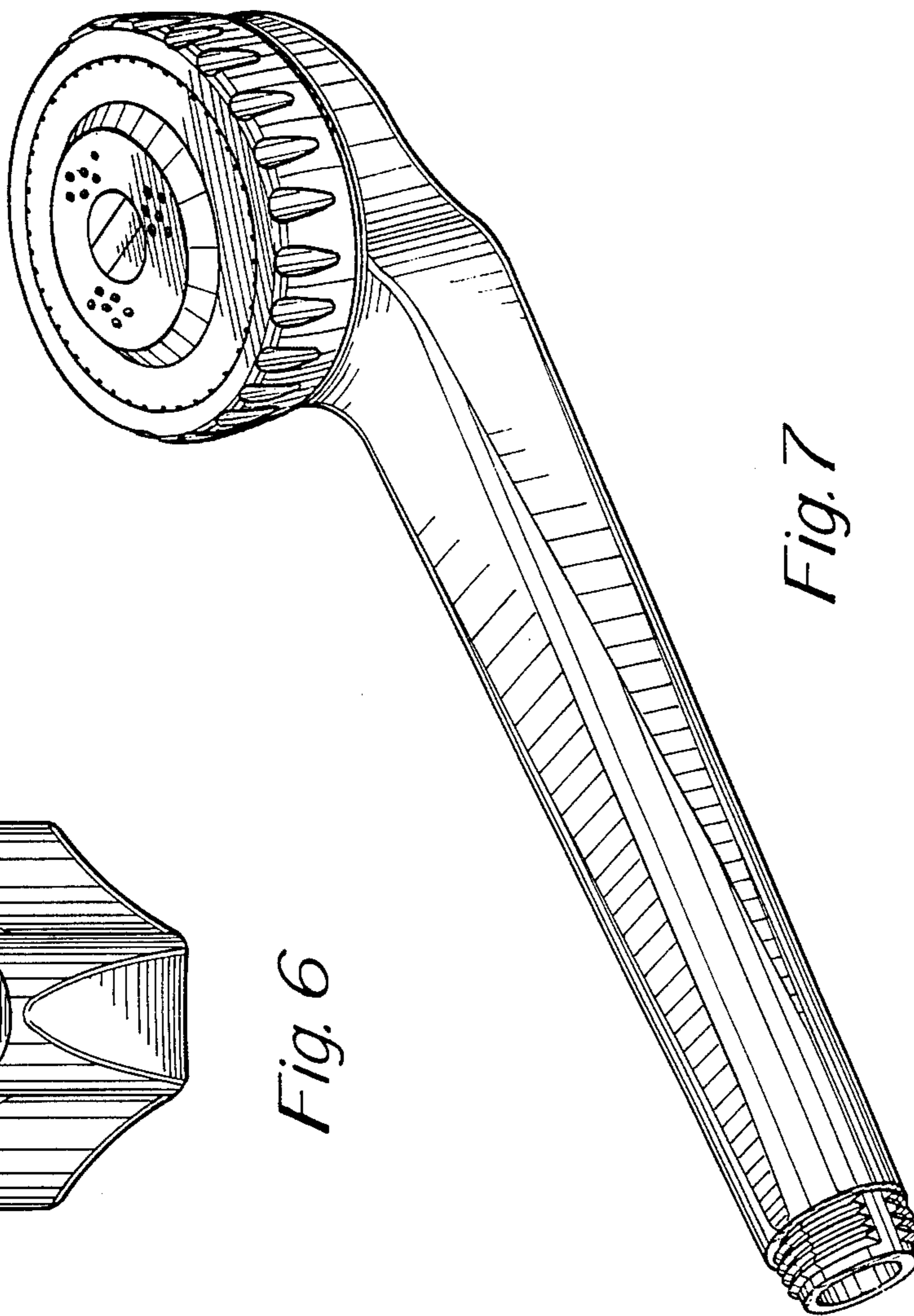


Fig. 7