

[54] **LAWN SPRINKLER**

2,921,474 1/1960 Ballard 239/237

[75] Inventors: **Malcolm Hastings, Coventry; John Lang, Bicester, both of England**

[73] Assignee: **Hozelock-ASL Limited, Aylesbury, England**

[*] Notice: The portion of the term of this patent subsequent to Feb. 6, 2004 has been disclaimed.

[**] Term: **14 Years**

[21] Appl. No.: **67,475**

[22] Filed: **Jun. 29, 1987**

[52] U.S. Cl. **D23/216**

[58] Field of Search **D23/214, 221, 219, 216; 239/239, 237**

[56] **References Cited**

U.S. PATENT DOCUMENTS

- 1,504,152 8/1924 Slack 239/239
- 2,597,366 5/1952 Nordenstam 239/239

OTHER PUBLICATIONS

Nelson Lawn and Garden 1986 Catalogue, pp. 2 and 3, Rainshower Sprinklers 1035, 1050, N-063, N-068A, N-055A, top right & middle of p. 2, top of p. 3.

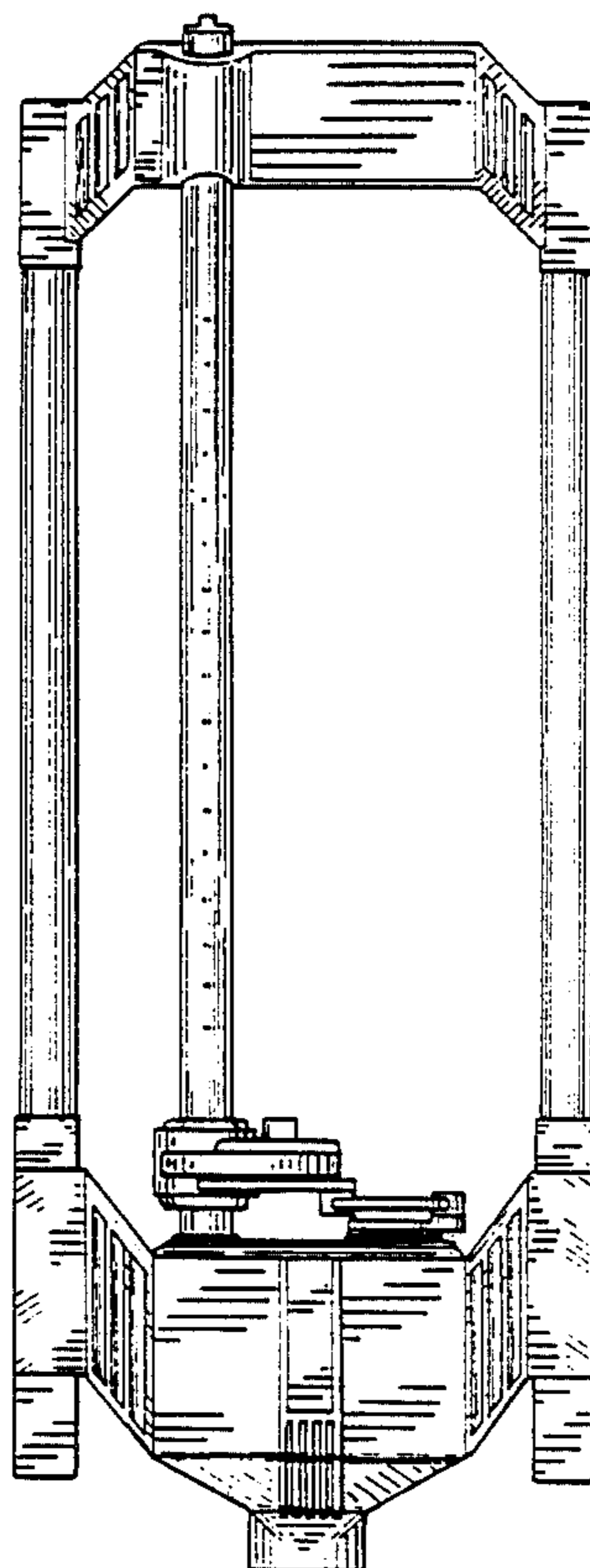
Primary Examiner—James M. Gandy
Assistant Examiner—Lisa Lichtenstein
Attorney, Agent, or Firm—Lee, Mann, Smith, McWilliams & Sweeney

[57] **CLAIM**

The ornamental design for a lawn sprinkler, as shown.

DESCRIPTION

FIG. 1 is a top plan view of a lawn sprinkler, showing my new design;
FIG. 2 is a bottom plan view thereof;
FIG. 3 is a right side elevational view thereof;
FIG. 4 is a left side elevational view thereof;
FIG. 5 is an end elevational view thereof; and
FIG. 6 is an elevational view of the end opposite that shown in FIG. 5 thereof.



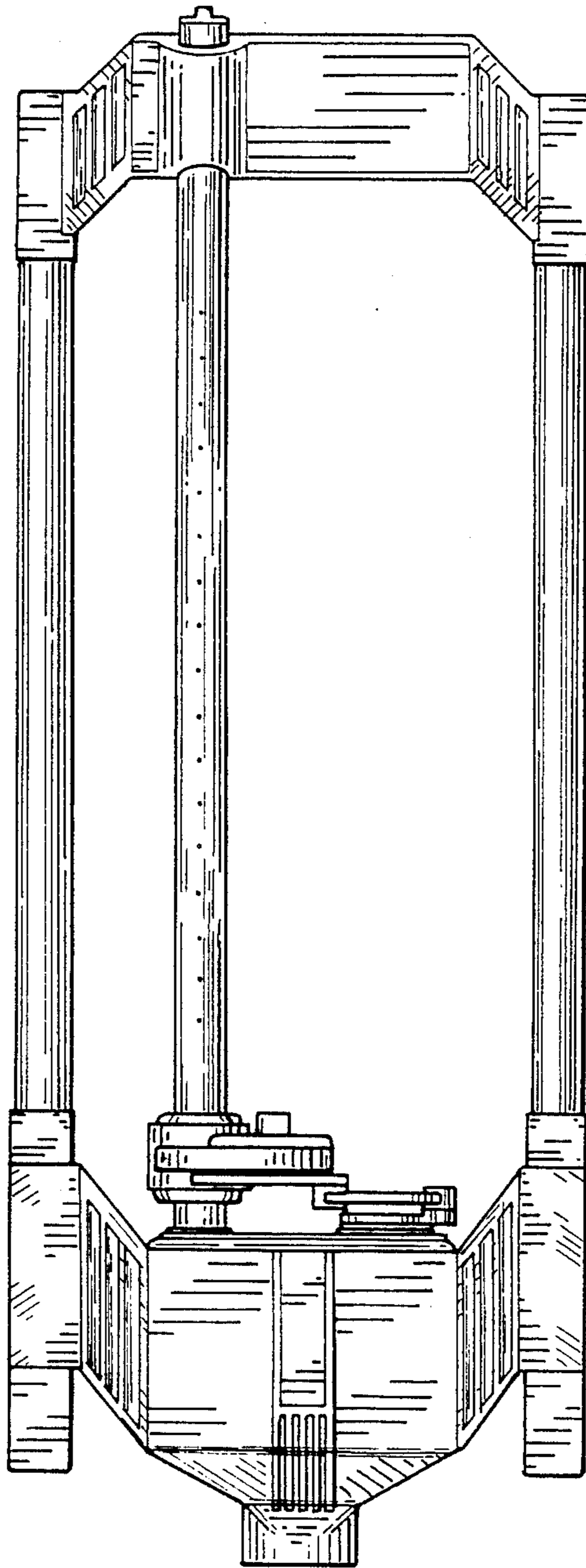


Fig.1

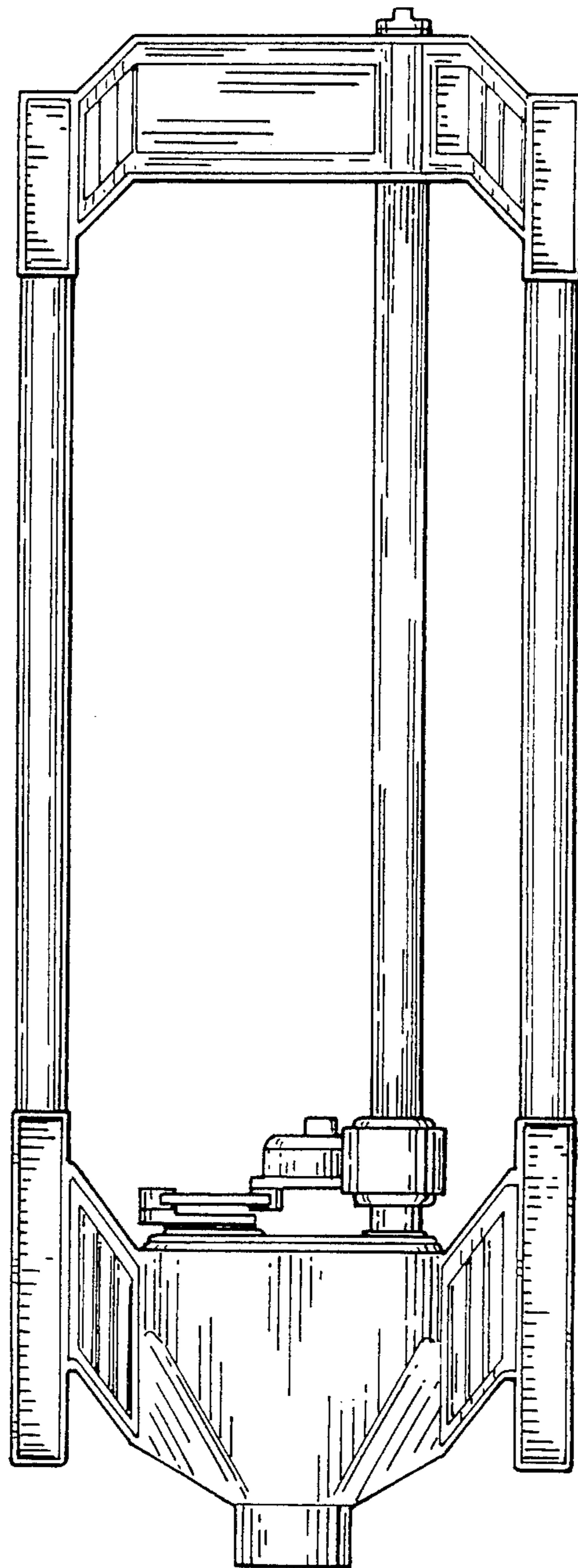


Fig. 2

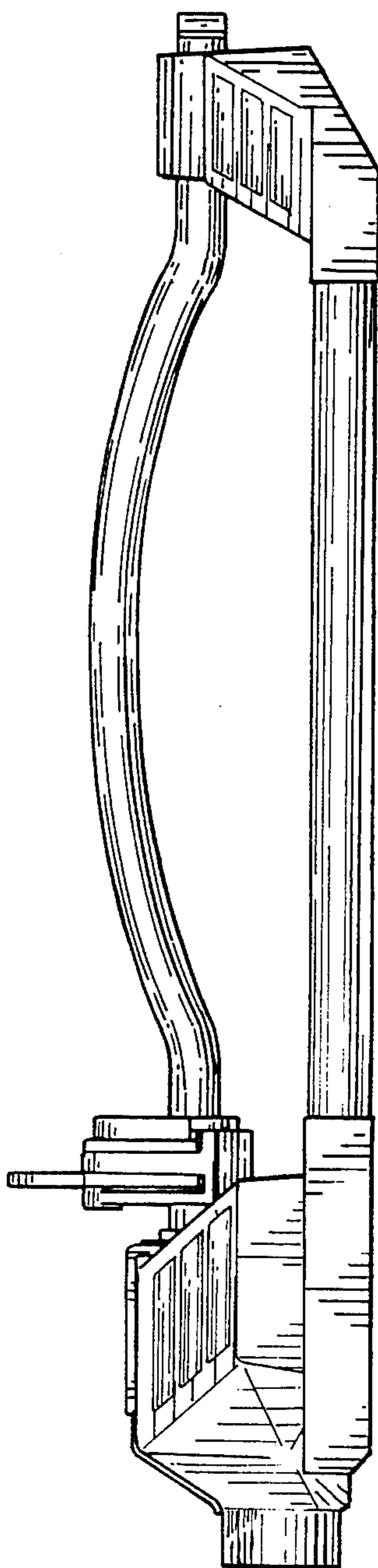


Fig. 3

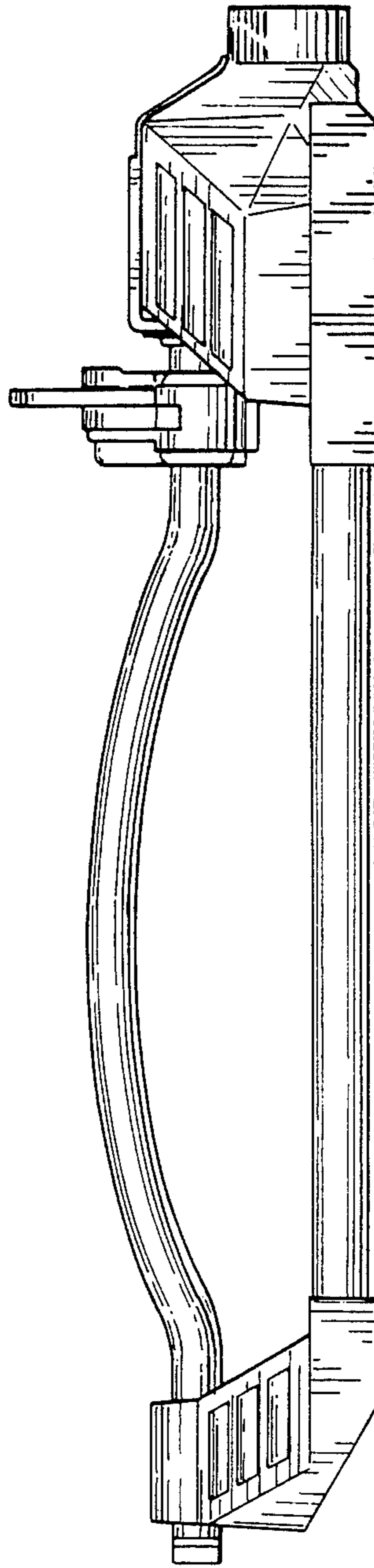


Fig. 4

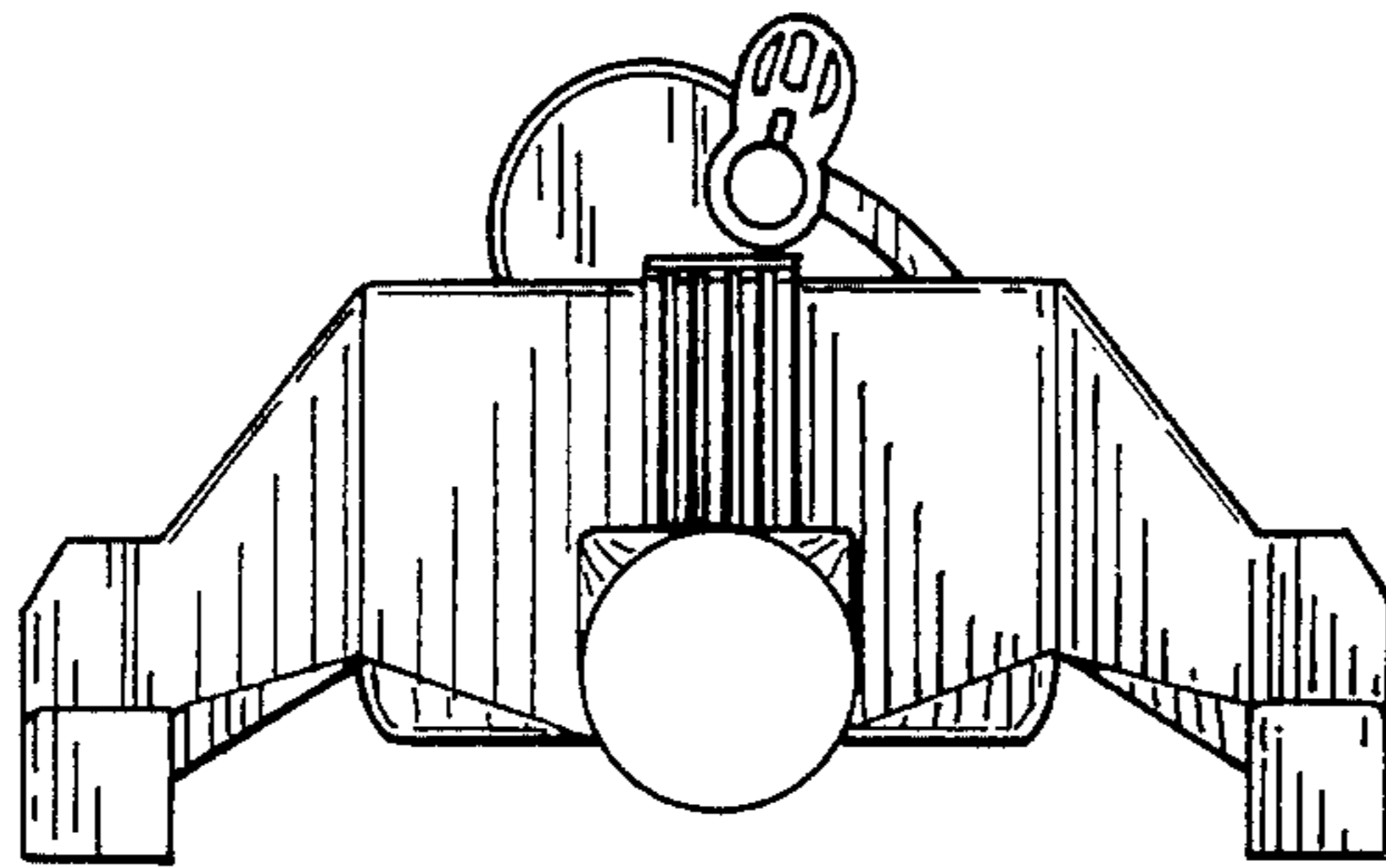


Fig. 5

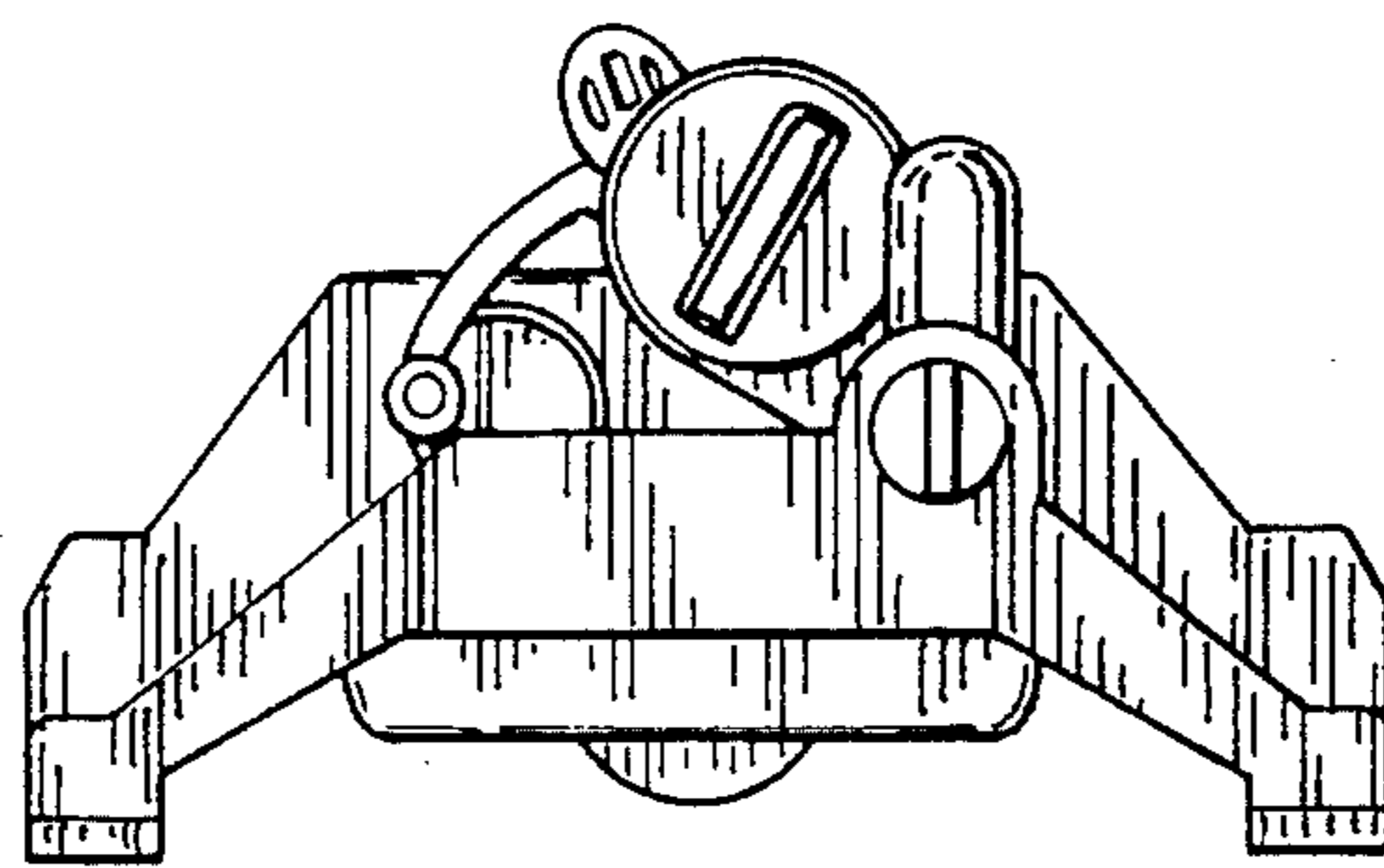


Fig. 6