

[54] **MAGAZINE FOR A FIREARM**

4,472,900 9/1984 Howard 42/50

[76] Inventor: **Anthony C. Blackshaw**, 86
Shaftesbury Road, Carshalton,
Surrey, England

[**] Term: **14 Years**

[21] Appl. No.: **137,014**

[22] Filed: **Dec. 23, 1987**

[30] **Foreign Application Priority Data**

Jun. 25, 1987 [GB] United Kingdom 1043082

[52] U.S. Cl. **D22/108**

[58] Field of Search D22/108, 104; 42/2,
42/7, 18, 50; 89/33.1, 33.01

[56] **References Cited**

U.S. PATENT DOCUMENTS

D. 241,837	10/1976	Sofinowski et al.	D22/108
1,245,499	11/1917	Orme	42/7
3,345,771	10/1967	Silsby	42/18
4,107,863	8/1978	Musgrave	42/50
4,109,401	8/1978	Musgrave	42/50
4,139,959	2/1979	Howard et al.	42/50
4,413,437	11/1983	Anderson	42/50

OTHER PUBLICATIONS

The American Rifleman, vol. 123, #9, ©9-1975, p. 12.

Primary Examiner—A. Hugo Word

Assistant Examiner—Doris Clark

Attorney, Agent, or Firm—Young & Thompson

[57] **CLAIM**

The ornamental design for a magazine for a firearm, as shown.

DESCRIPTION

FIG. 1 is a front perspective view from above and one side of a magazine for a firearm showing my new design;

FIG. 2 is a side elevational view thereof from the side opposite that visible in FIG. 1;

FIG. 3 is a rear elevational view thereof;

FIG. 4 is a bottom plan view thereof;

FIG. 5 is a top plan view thereof;

FIG. 6 is a view thereof similar to FIG. 1 but from the side opposite that shown in FIG. 1; and

FIG. 7 is a view thereof similar to FIG. 3 but from the side opposite that shown in FIG. 3.

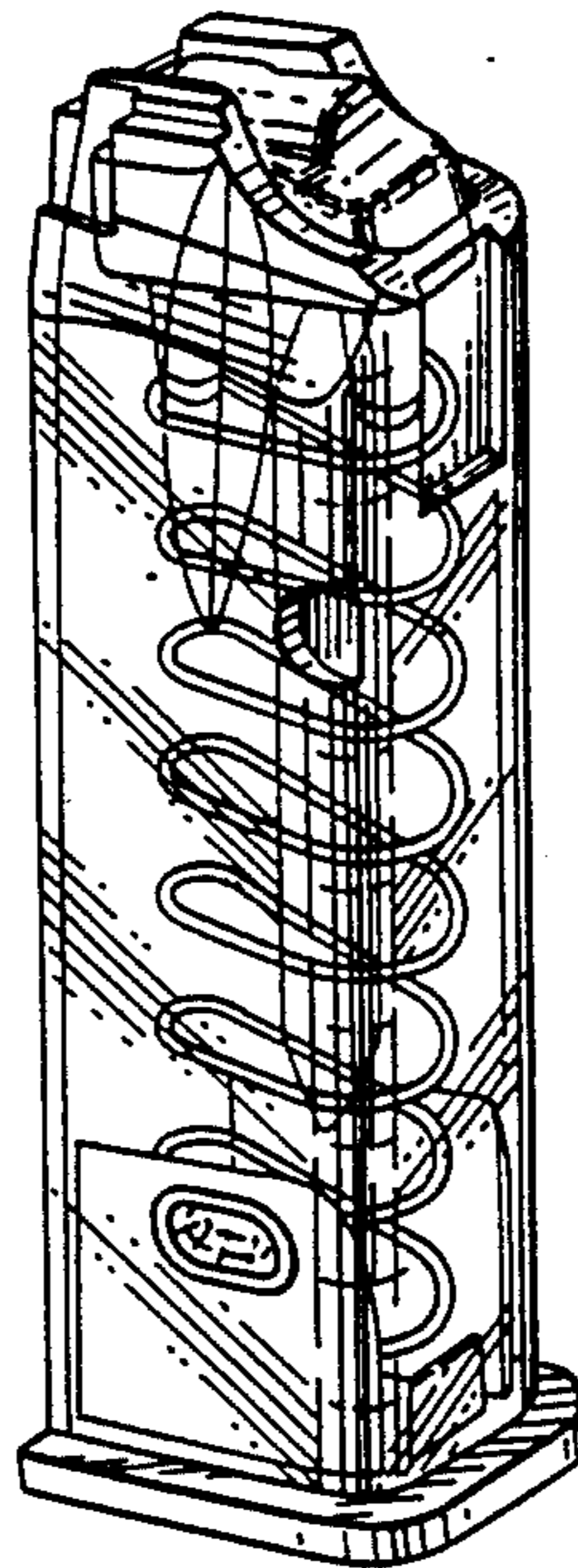


FIG.1.

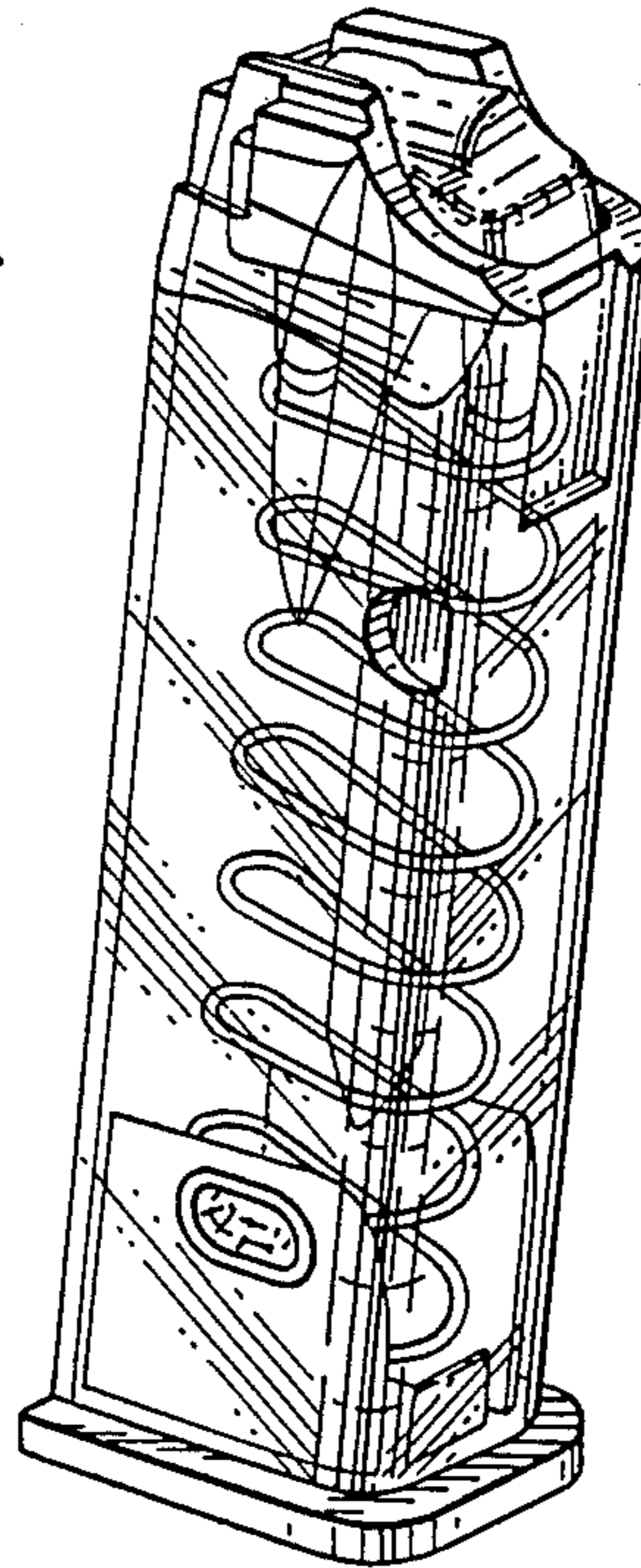


FIG.2.

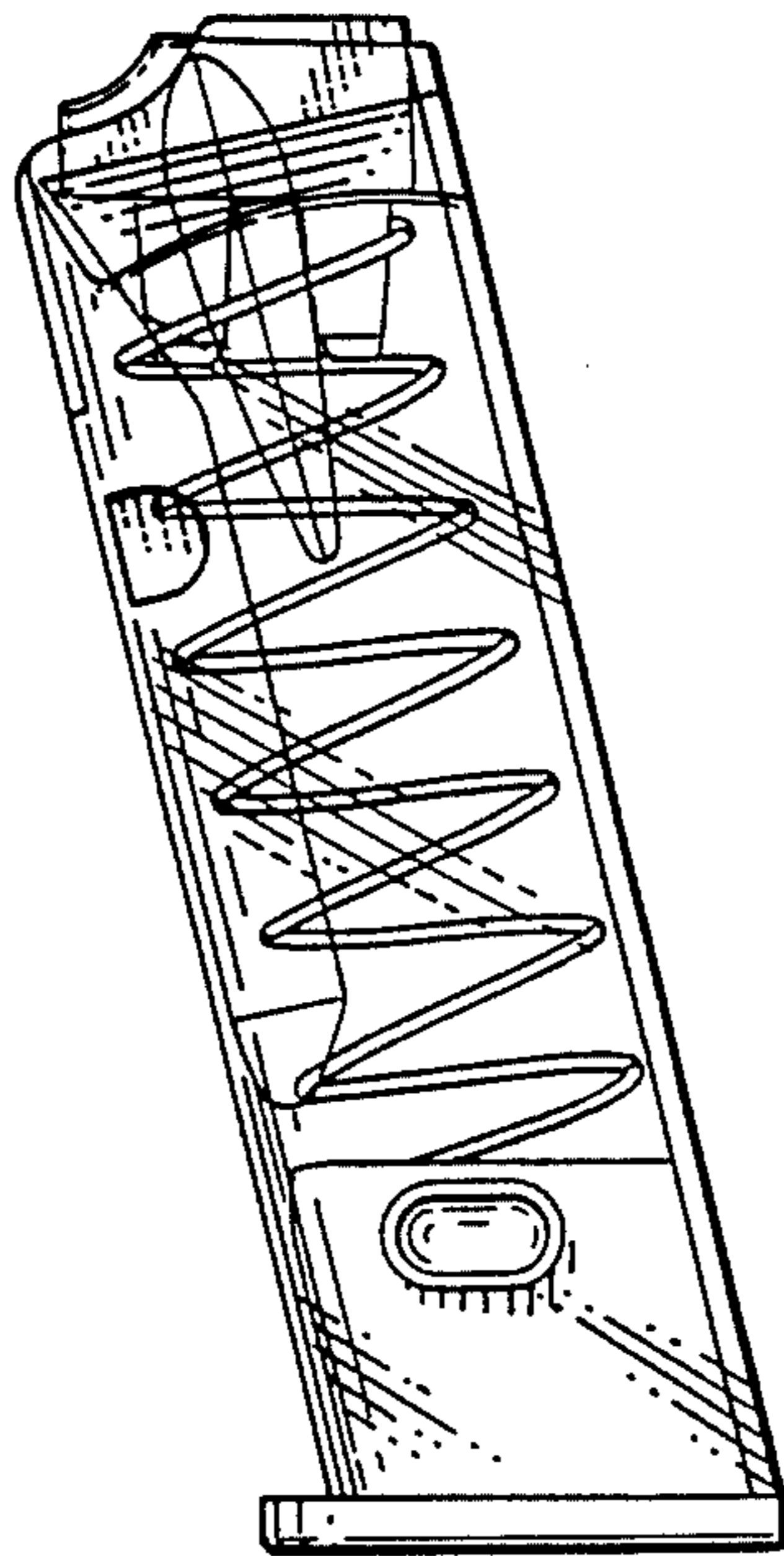


FIG.3.

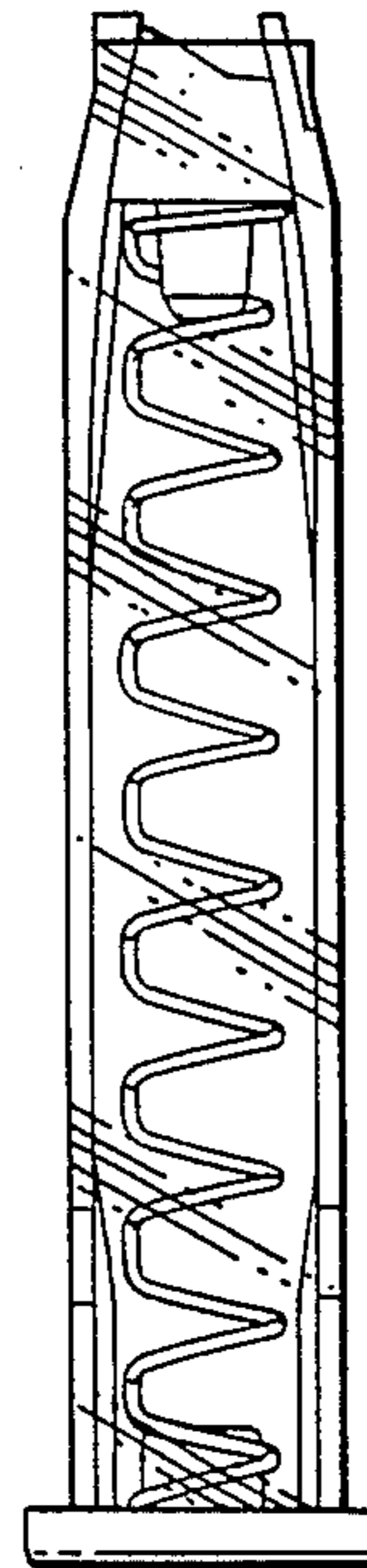


FIG.4.

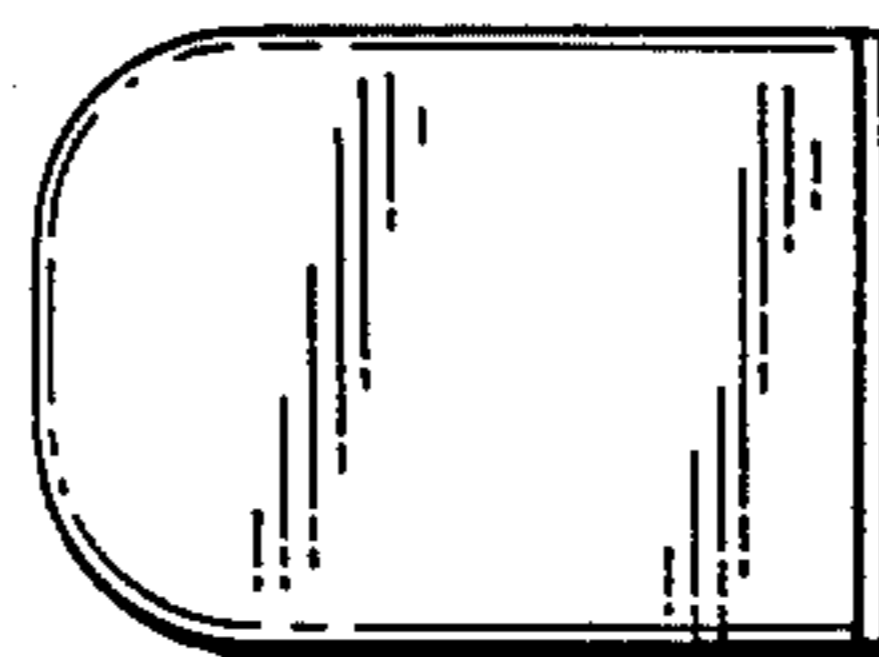


FIG.5.

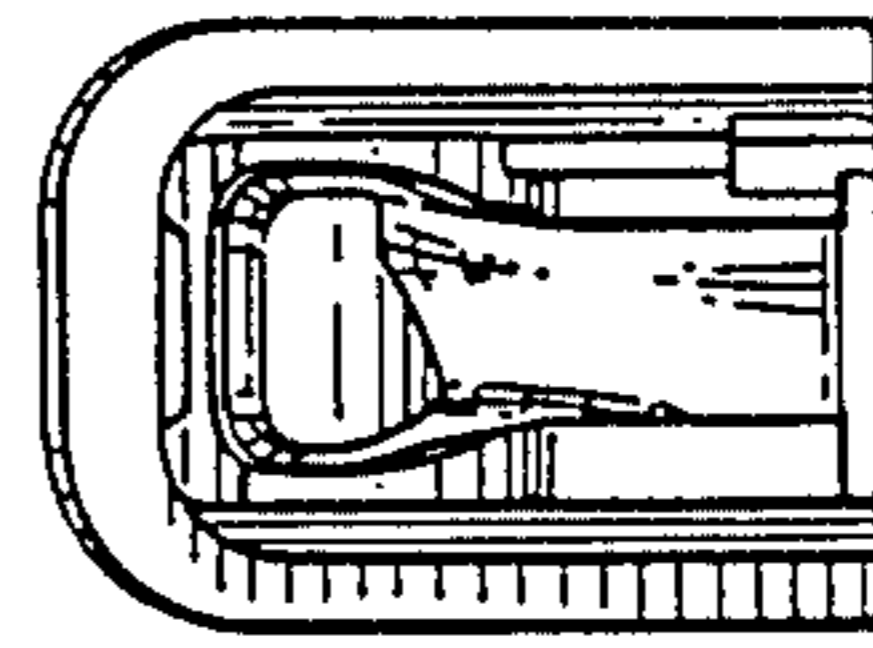


FIG.6.

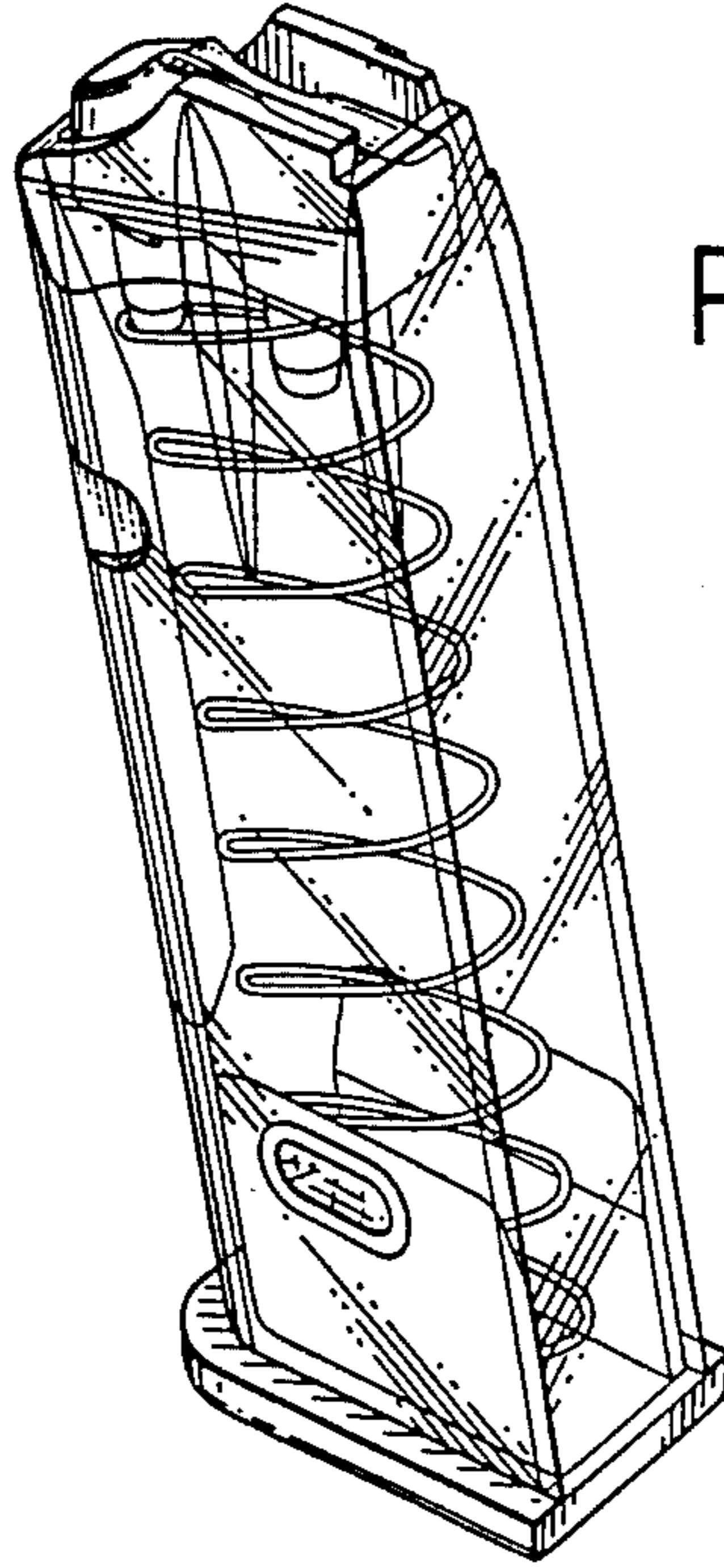


FIG.7.

