

United States Patent [19]

Pugnat et al.

[11] Patent Number: **Des. 309,767**

[45] Date of Patent: **** Aug. 7, 1990**

[54] **END PIECE FOR SKI POLE**

[75] Inventors: **Patricia Pugat, Sallanches; Claude Fougrousse, Annecy, both of France**

[73] Assignee: **Sports Booster, Le Fayet, France**

[**] Term: **14 Years**

[21] Appl. No.: **170,292**

[22] Filed: **Mar. 18, 1988**

[30] **Foreign Application Priority Data**

Sep. 28, 1987 [FR]	France	87 5629
[52] U.S. Cl.		D21/230
[58] Field of Search	D21/229, 230; 280/824,	280/819

[56] **References Cited**

U.S. PATENT DOCUMENTS

D. 193,149	7/1962	Bond et al.	280/824
D. 279,024	5/1985	Nordgren et al.	D21/230
3,199,886	8/1965	Dover	D21/230

3,858,900	1/1975	Quinn	280/824
4,700,975	10/1987	Ehemann et al.	280/824

FOREIGN PATENT DOCUMENTS

2249686	4/1975	France	280/824
---------	--------	--------	---------

Primary Examiner—Charles A. Rademaker
Attorney, Agent, or Firm—Roland Plottel

[57] **CLAIM**

The ornamental design for an end piece for a ski pole, as shown and described.

DESCRIPTION

FIG. 1 is a front elevational view of an end piece for ski pole showing our new design;
 FIG. 2 is a right side elevational view thereof;
 FIG. 3 is a left side elevational view thereof;
 FIG. 4 is a rear elevational view thereof;
 FIG. 5 is a top plan view thereof
 FIG. 6 is a bottom plan view thereof
 FIG. 7 is another front elevational view thereof with a ski pole and handle shown in fragment and broken lines for purposes of illustration only.

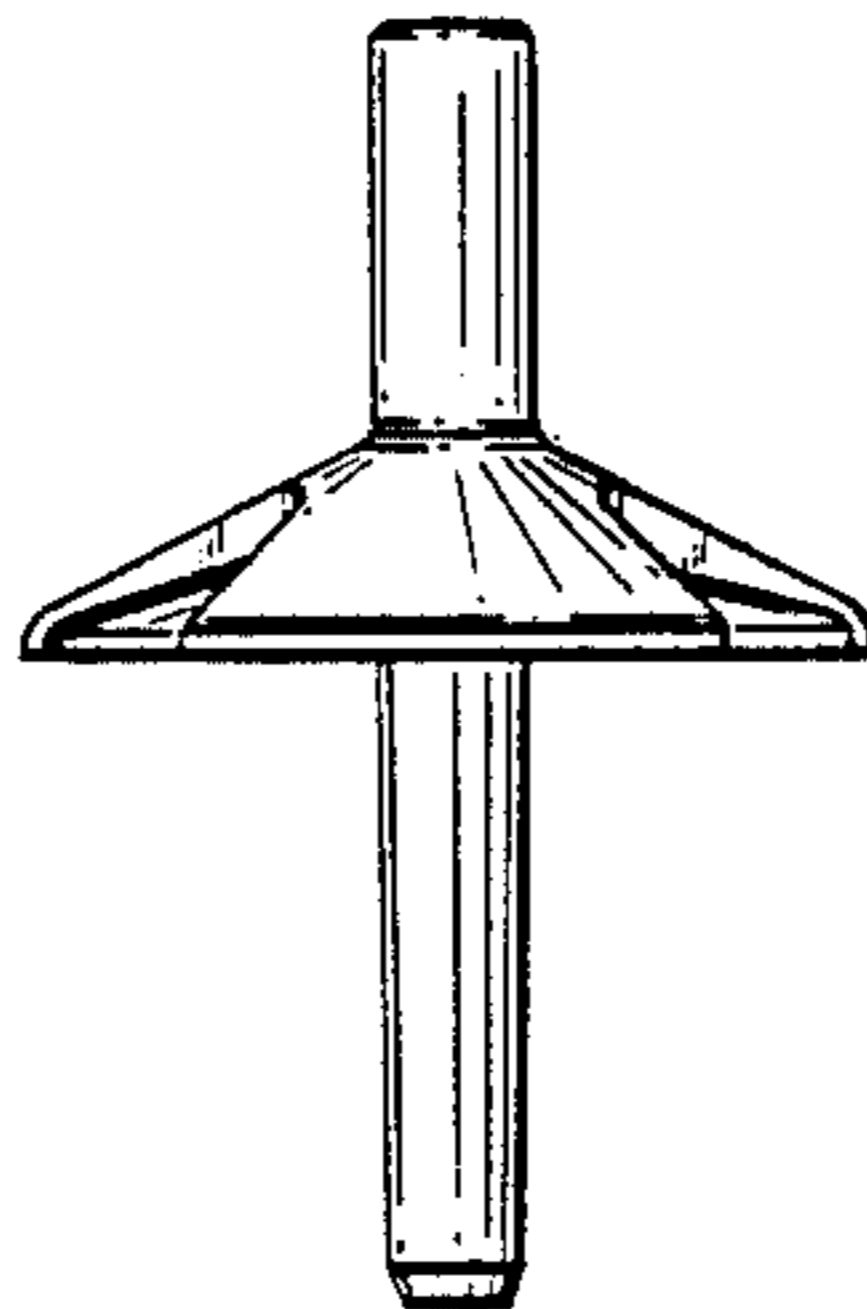


FIG. 1

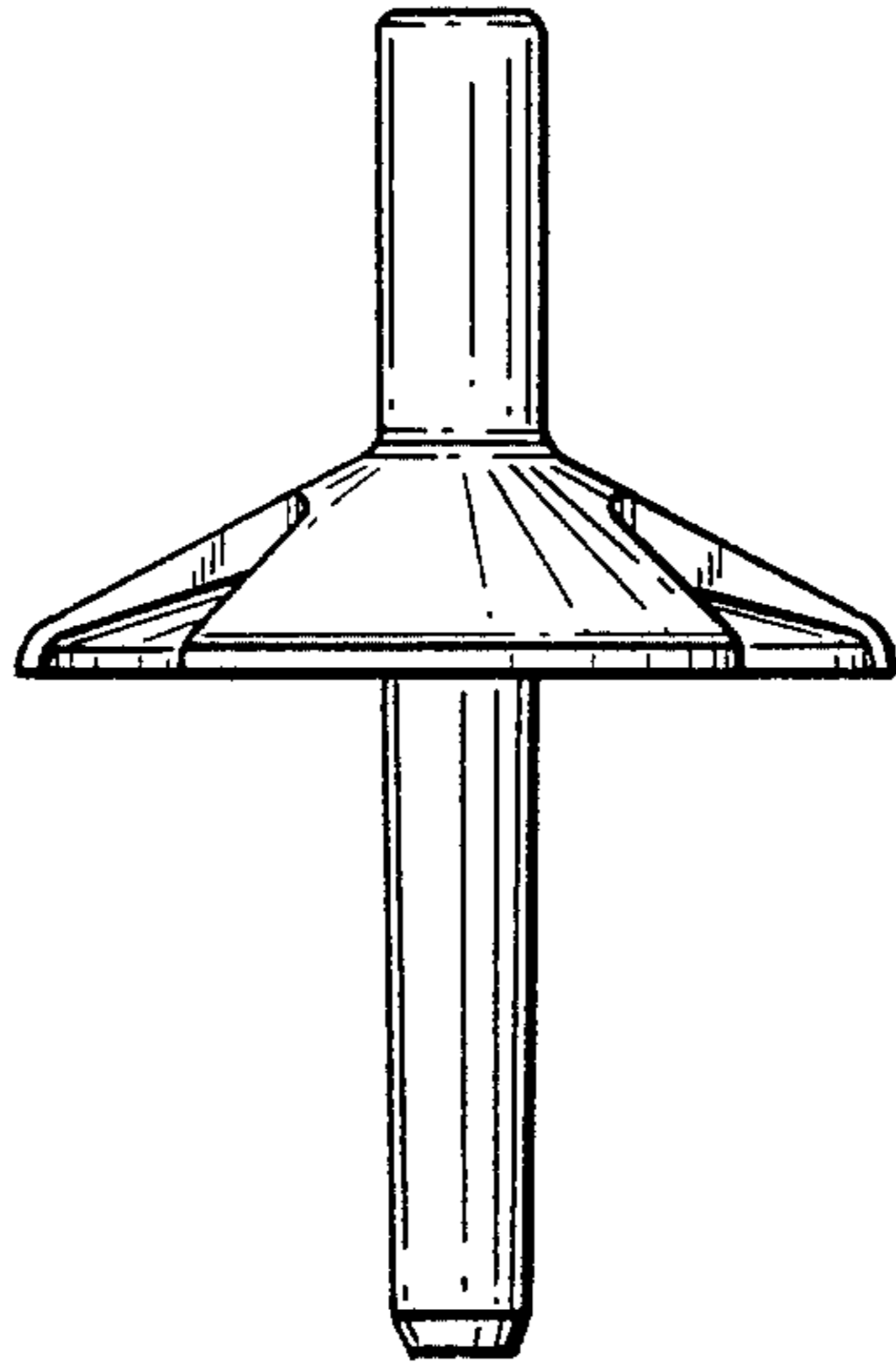


FIG. 2

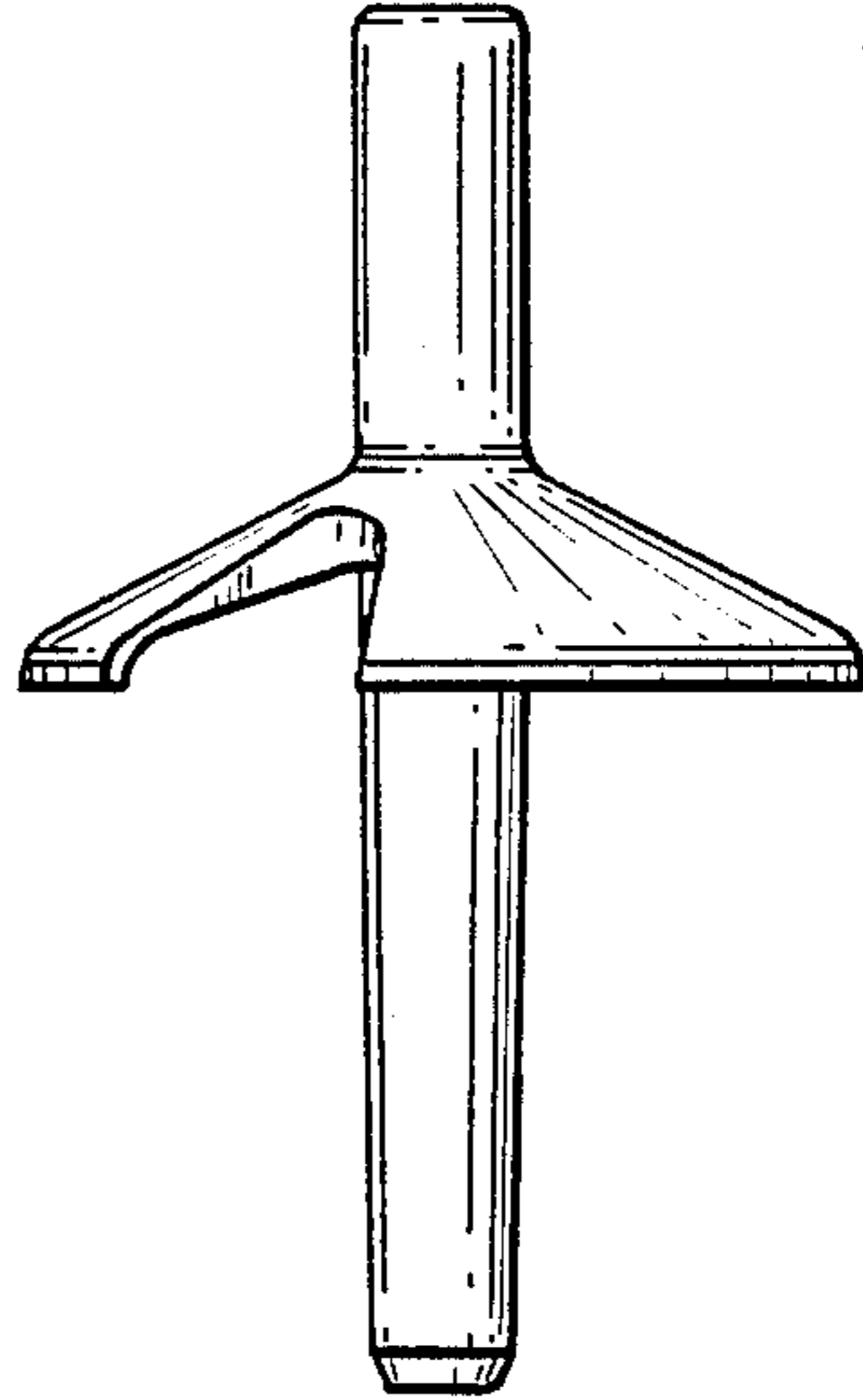


FIG. 3

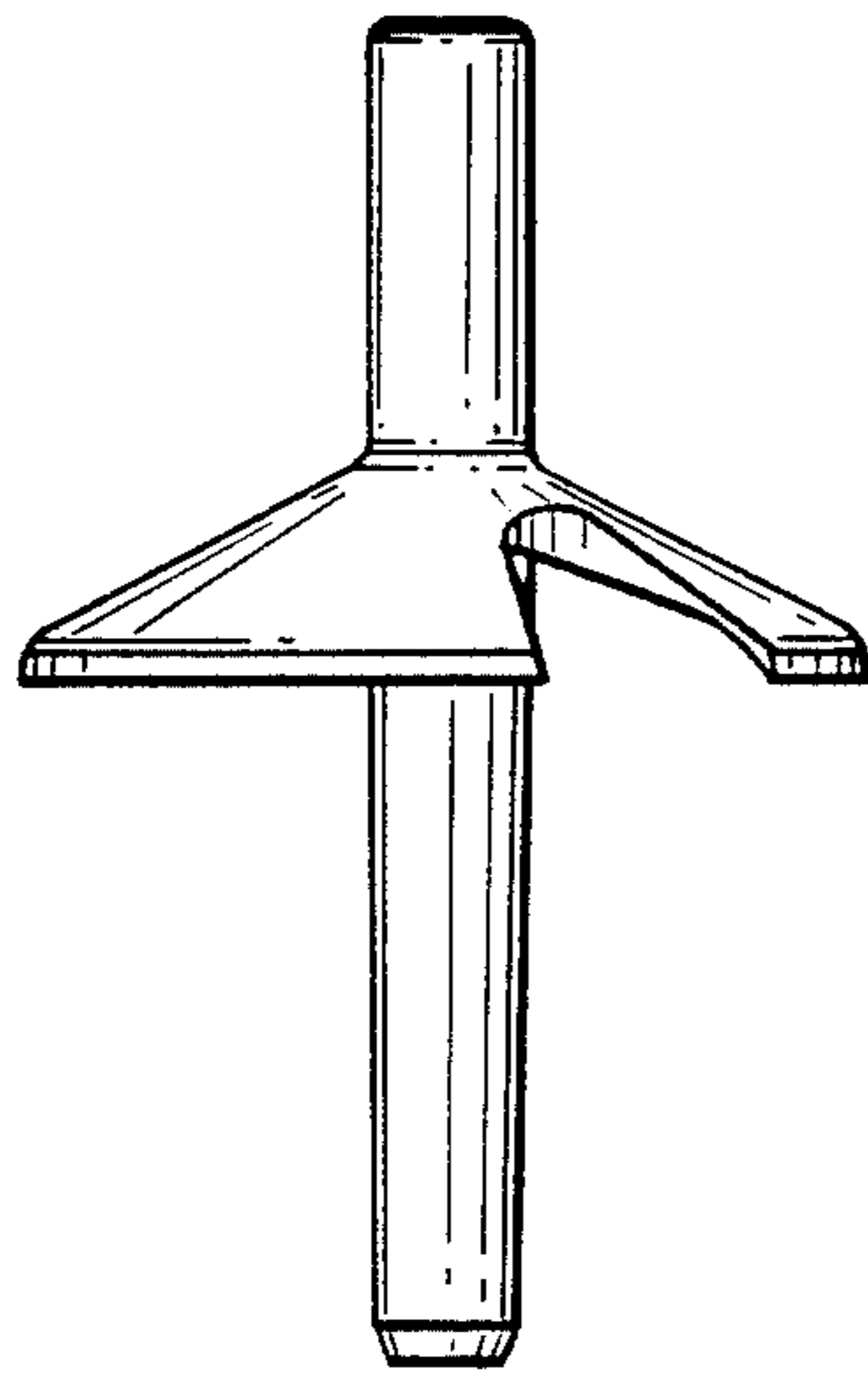
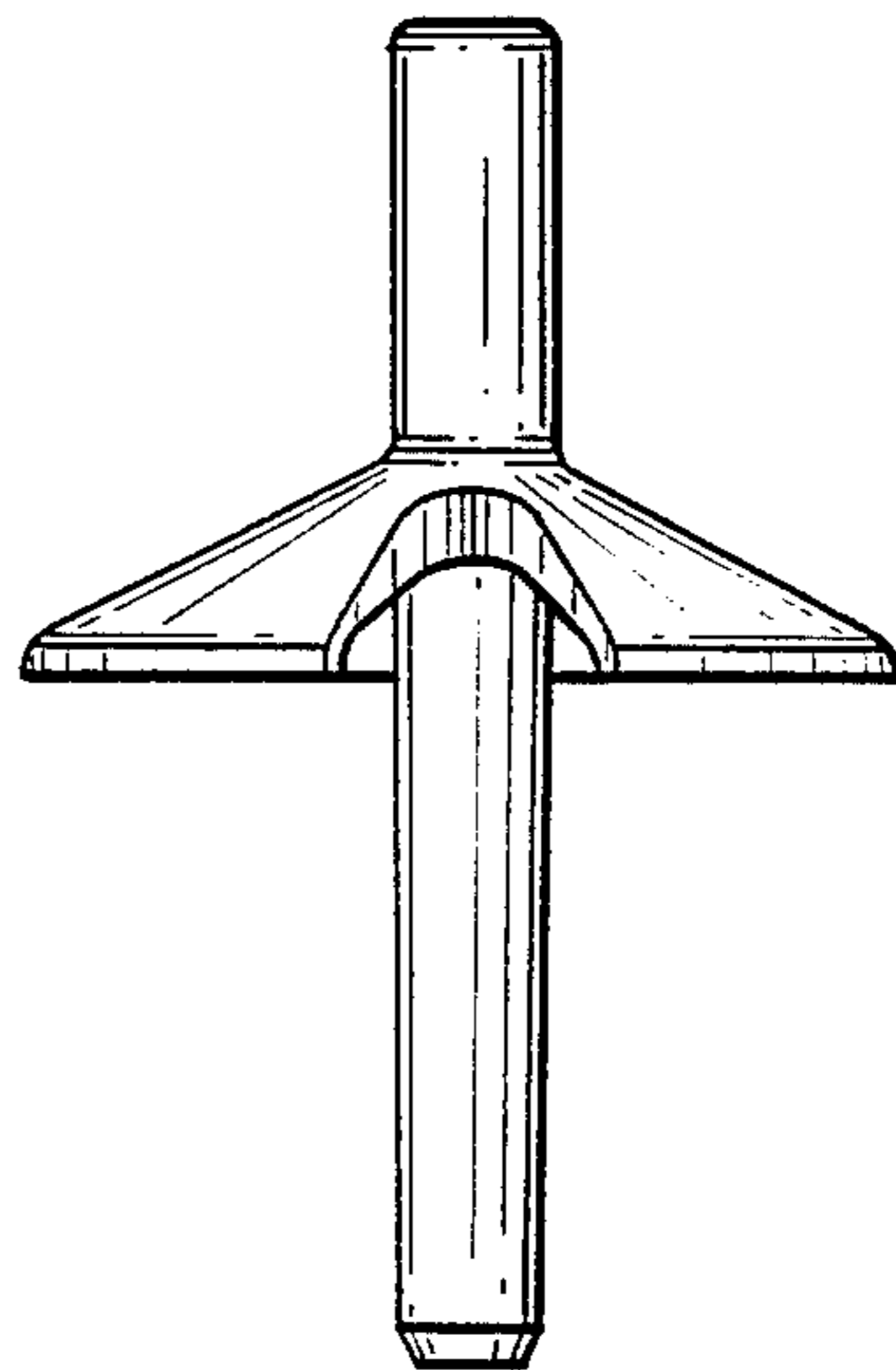


FIG. 4



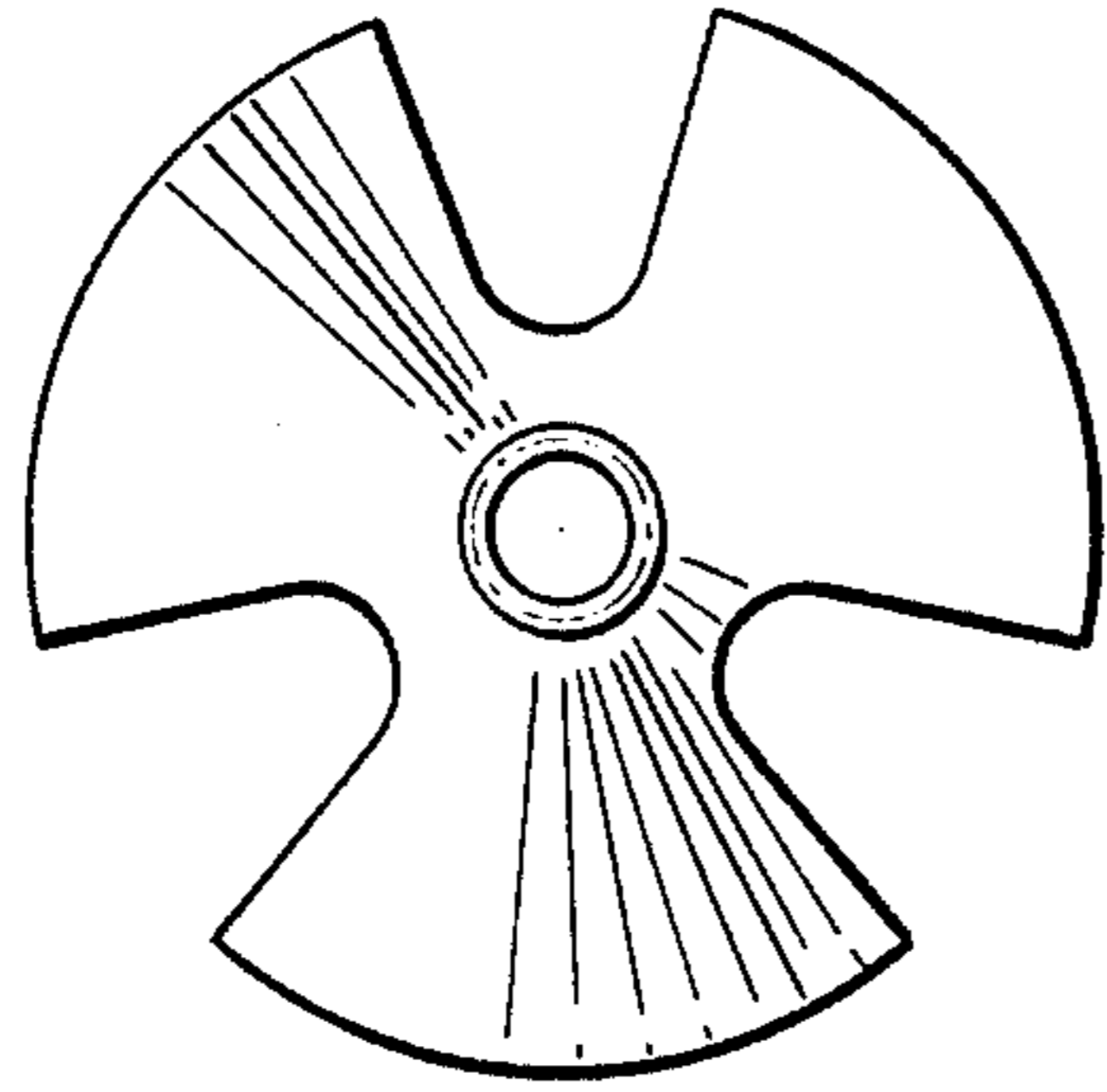


FIG. 5

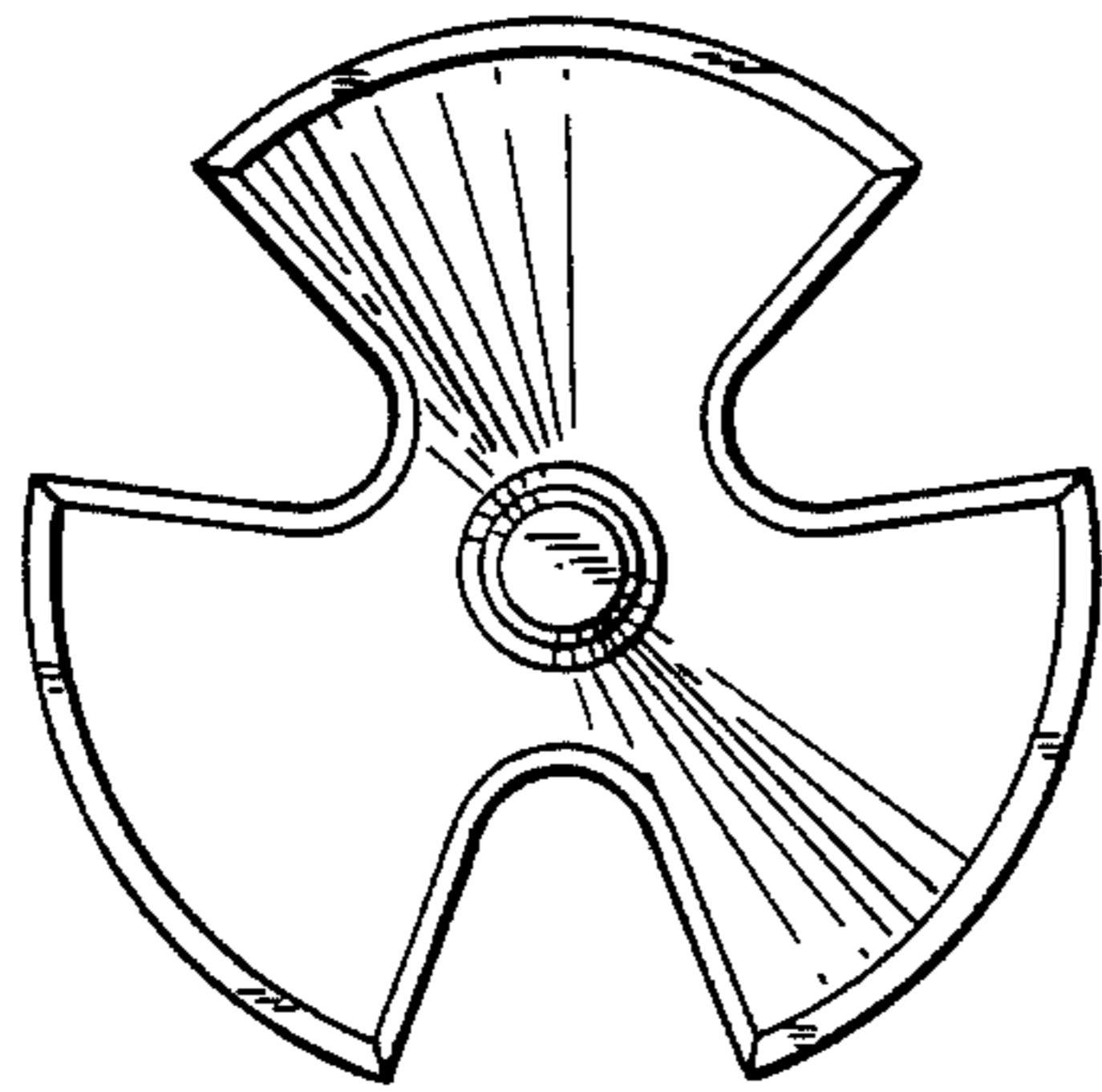


FIG. 6

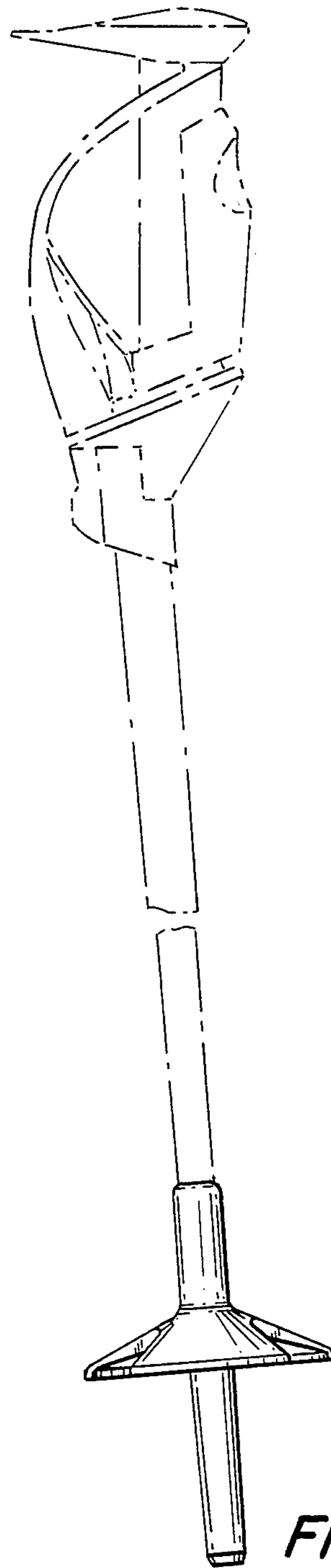


FIG. 7