

[54] TOY BUBBLE GUN

[75] Inventor: Kai S. Mak, New Territories, Hong Kong

[73] Assignee: Hop Lee Cheong Ind. Co., Ltd., Hong Kong

[**] Term: 14 Years

[21] Appl. No.: 313,147

[22] Filed: Feb. 21, 1989

[30] Foreign Application Priority Data

Aug. 30, 1988 [GB] United Kingdom 1053294

[52] U.S. Cl. D21/61; D21/147

[58] Field of Search D21/145, 146, 147, 61; D22/103, 104, 105; 446/15, 18, 20, 398, 401, 405

[56] References Cited

U.S. PATENT DOCUMENTS

- D. 99,818 5/1936 Marx D21/146
- D. 100,683 8/1936 Bonnett D21/147
- D. 138,667 8/1944 Annable D21/146

- D. 156,438 12/1949 Langos 446/405
- D. 192,474 3/1962 Benkoe D21/147
- D. 206,670 1/1967 Hirsch D21/146
- D. 273,880 5/1984 Bart D21/61
- D. 277,879 3/1985 Brown D21/61
- 2,379,143 6/1945 Gile 446/405
- 2,736,988 3/1956 Fisher D21/61

Primary Examiner—Charles A. Rademaker

Assistant Examiner—Alicia A. Farrell

Attorney, Agent, or Firm—Wolf, Greenfield & Sacks

[57] CLAIM

The ornamental design for a toy bubble gun, as shown and described.

DESCRIPTION

FIG. 1 is a front elevational view of a toy bubble gun showing my new design;

FIG. 2 is a rear elevational view thereof;

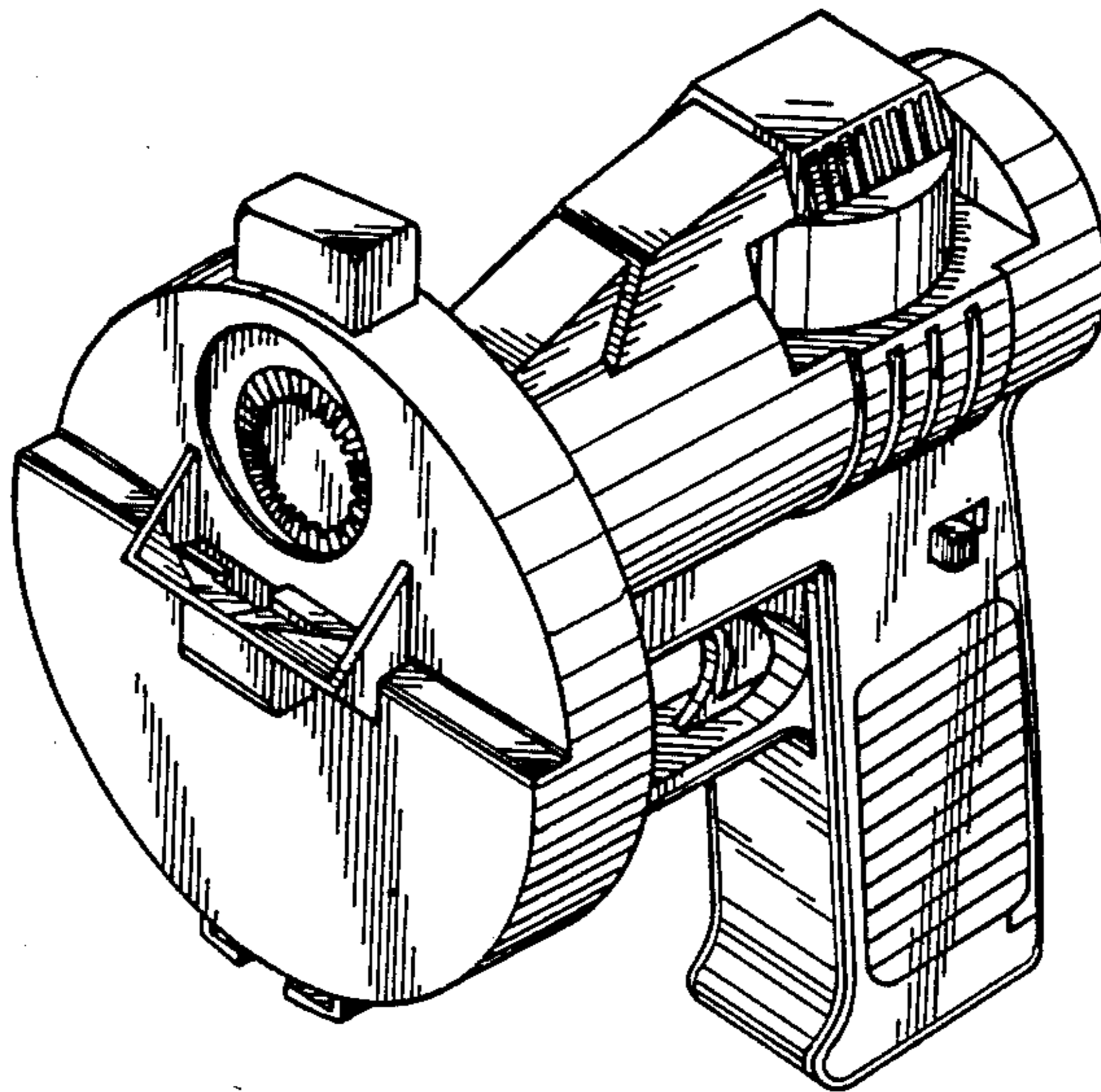
FIG. 3 is a left side elevational view thereof;

FIG. 4 is a right side elevational view thereof;

FIG. 5 is a top plan view thereof;

FIG. 6 is a bottom plan view thereof; and

FIG. 7 is a perspective view thereof.



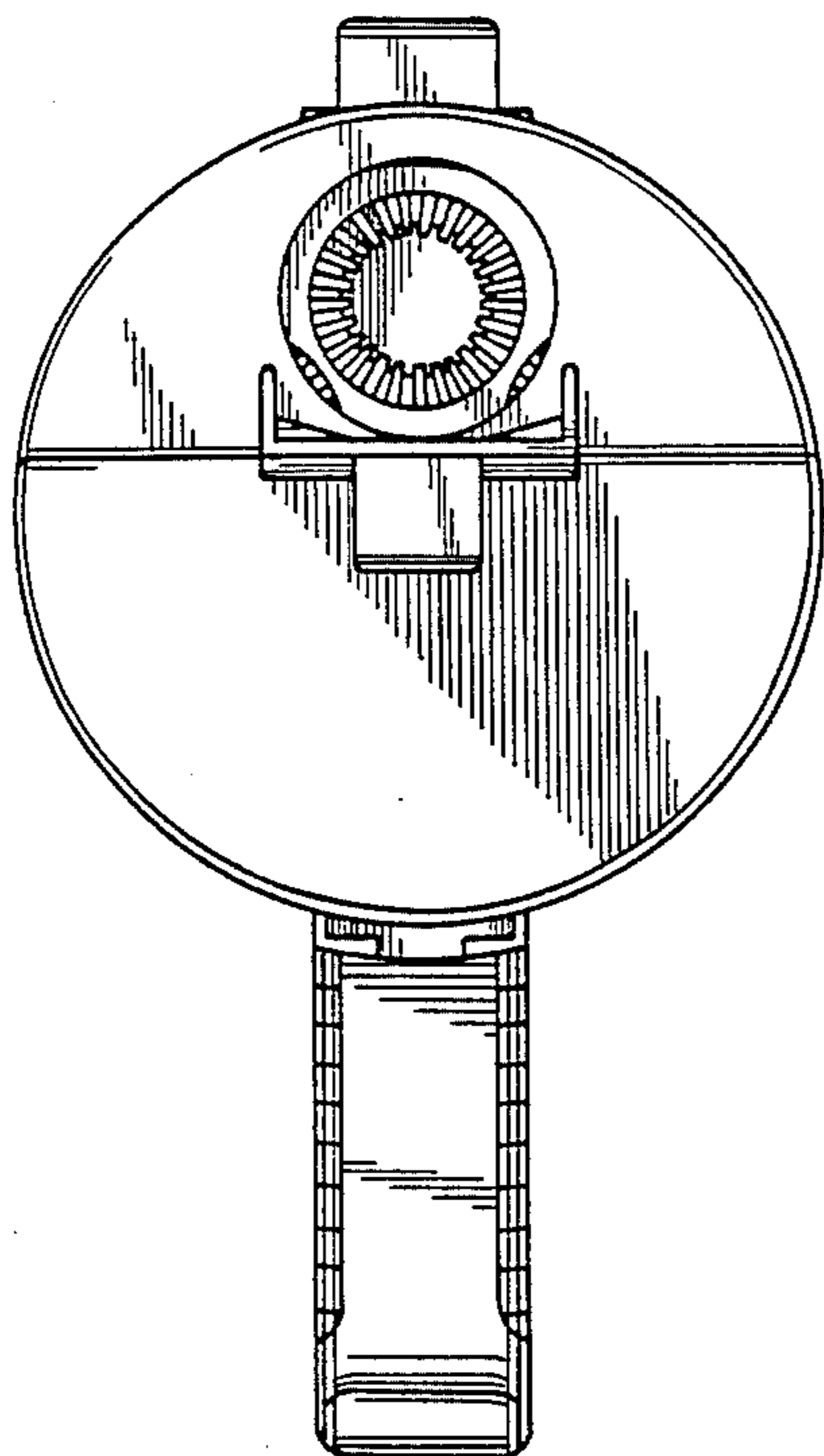


FIG. 1

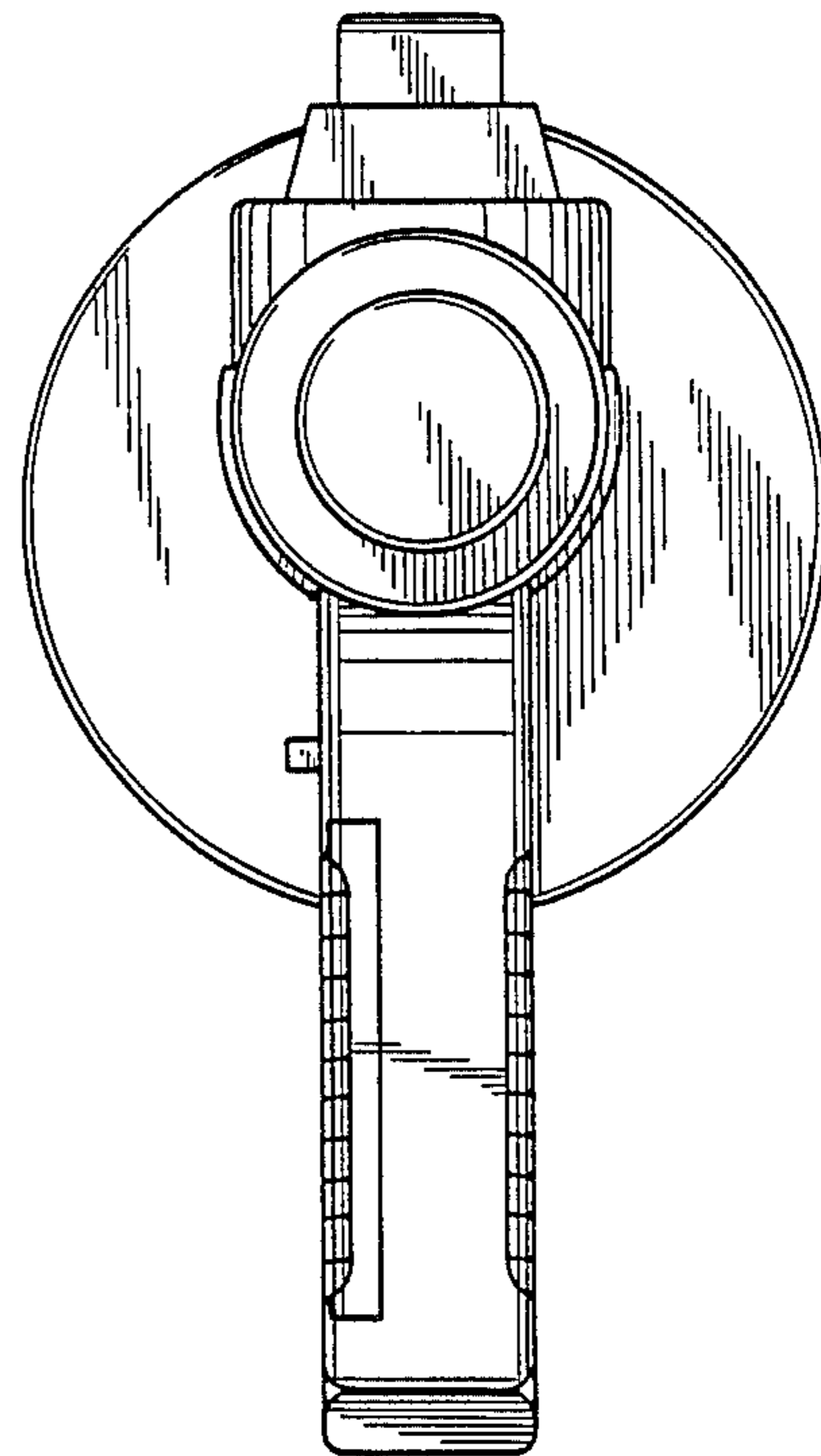


FIG. 2

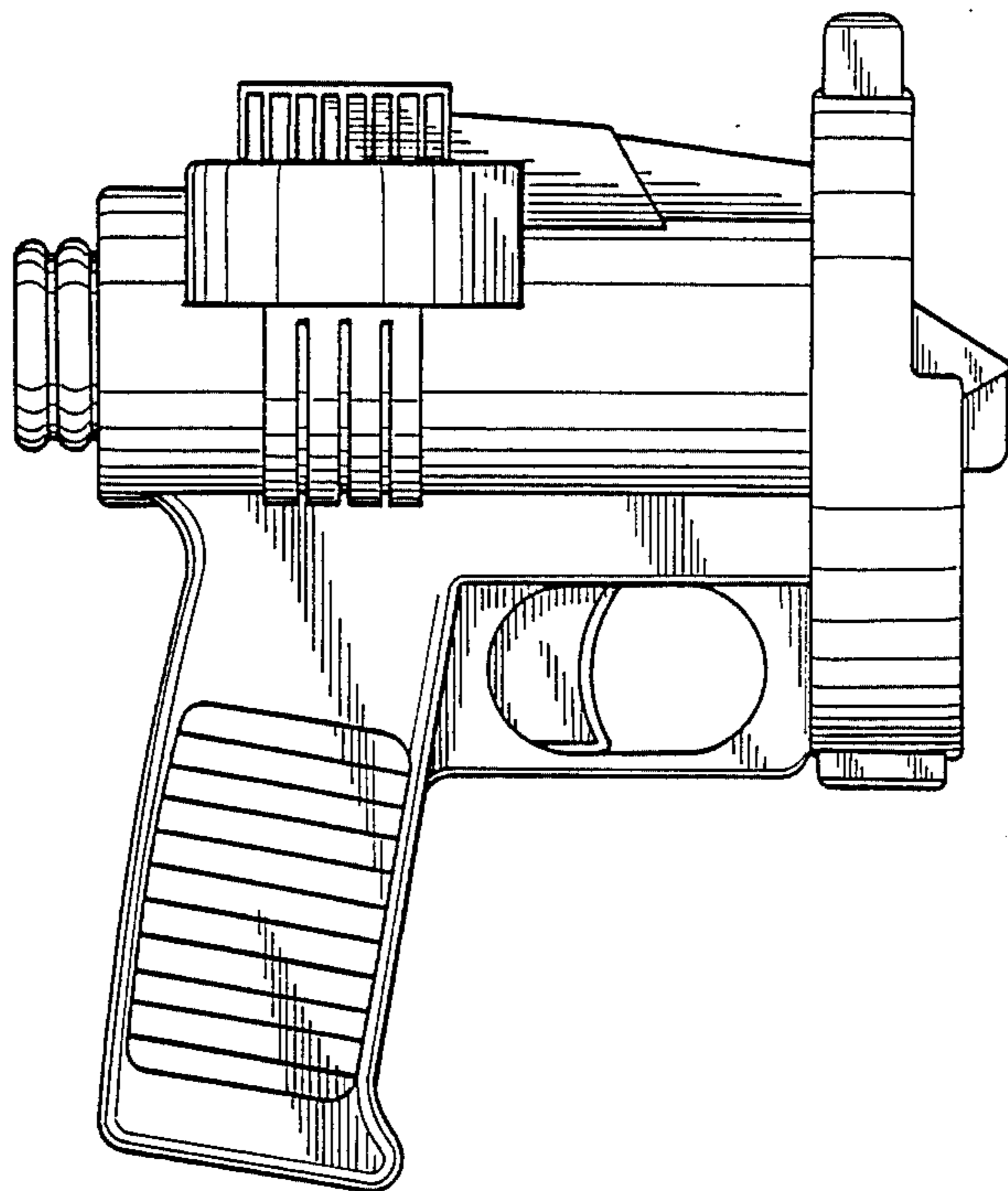


FIG. 3

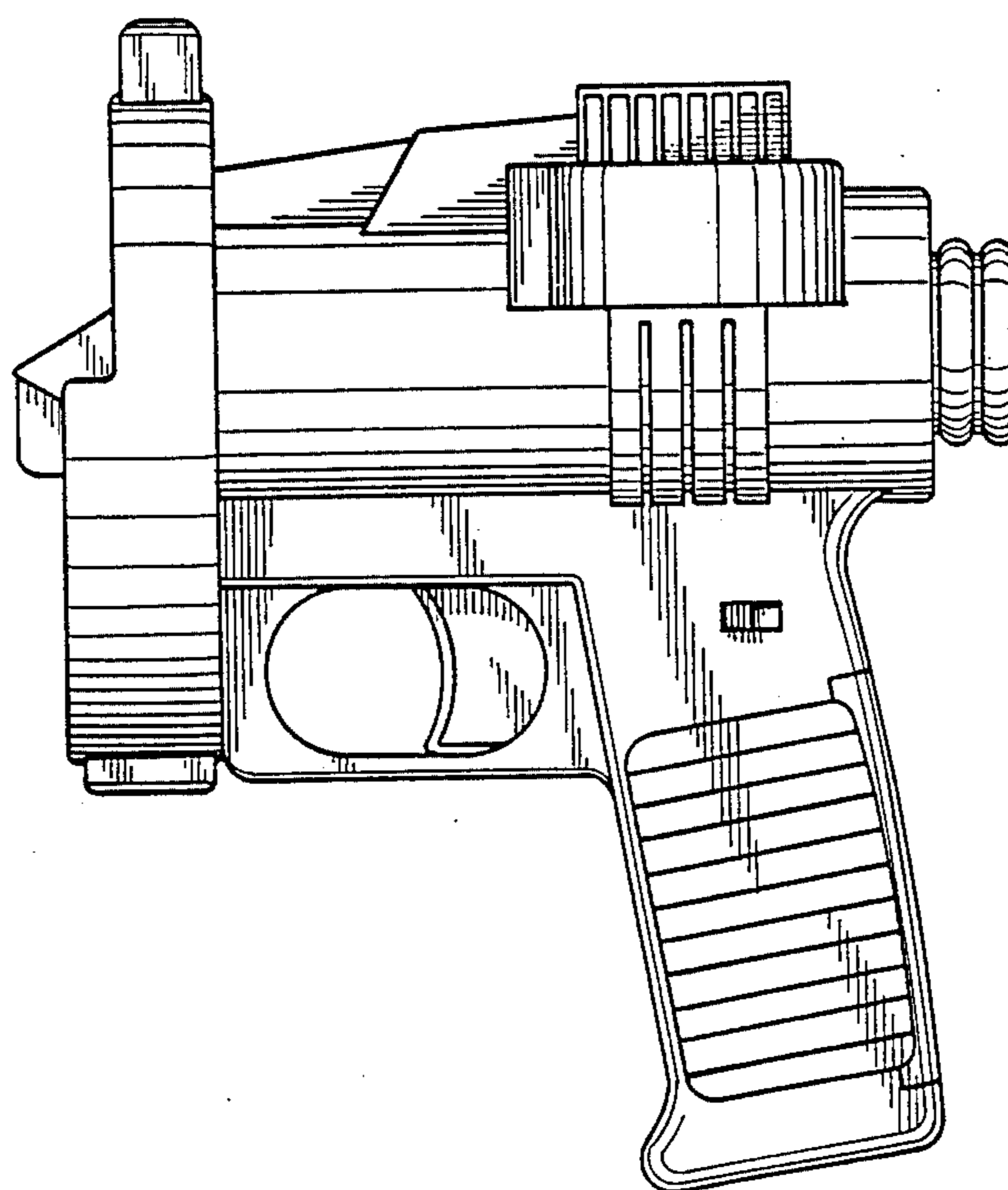


FIG. 4

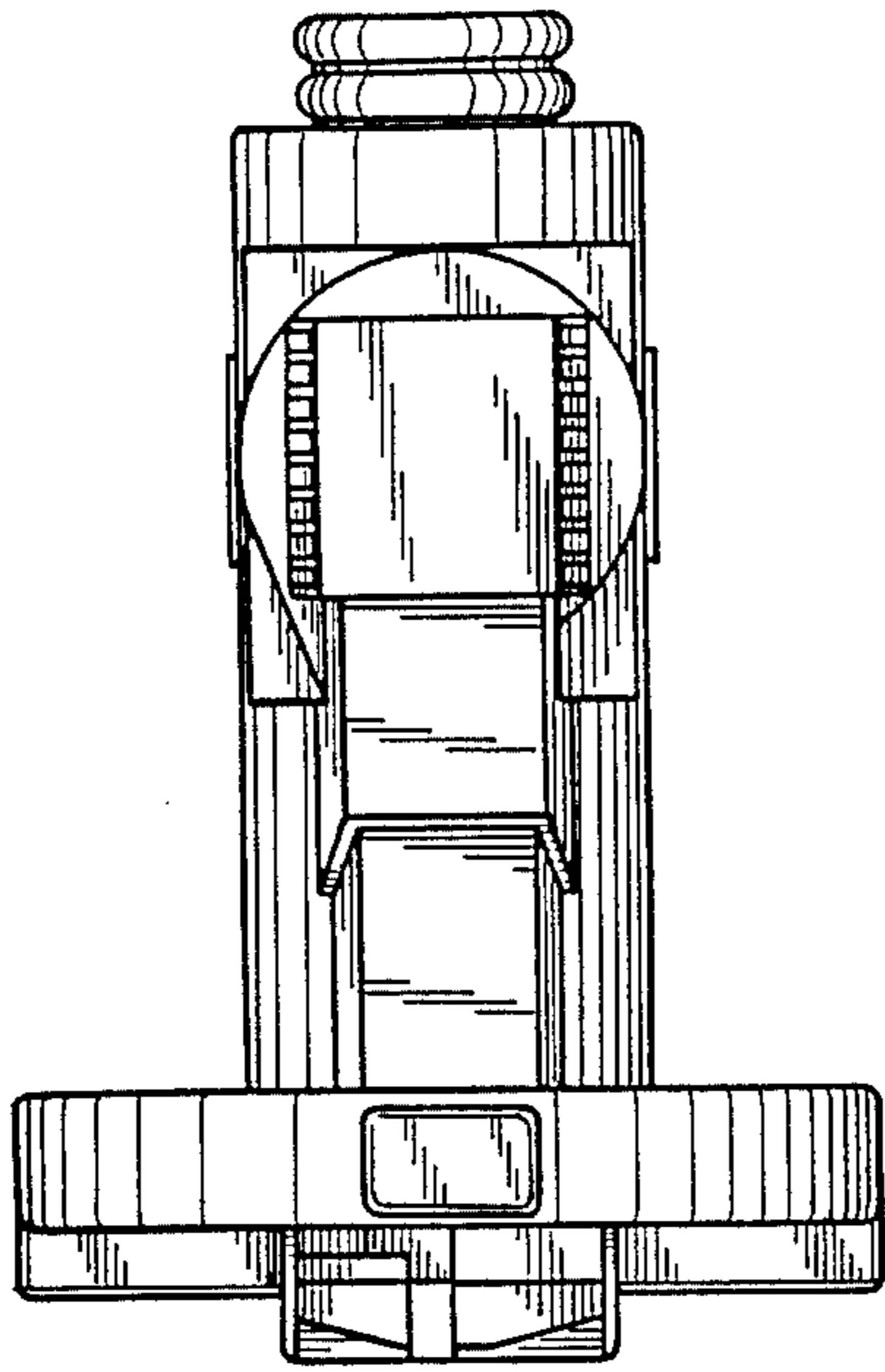


FIG. 5

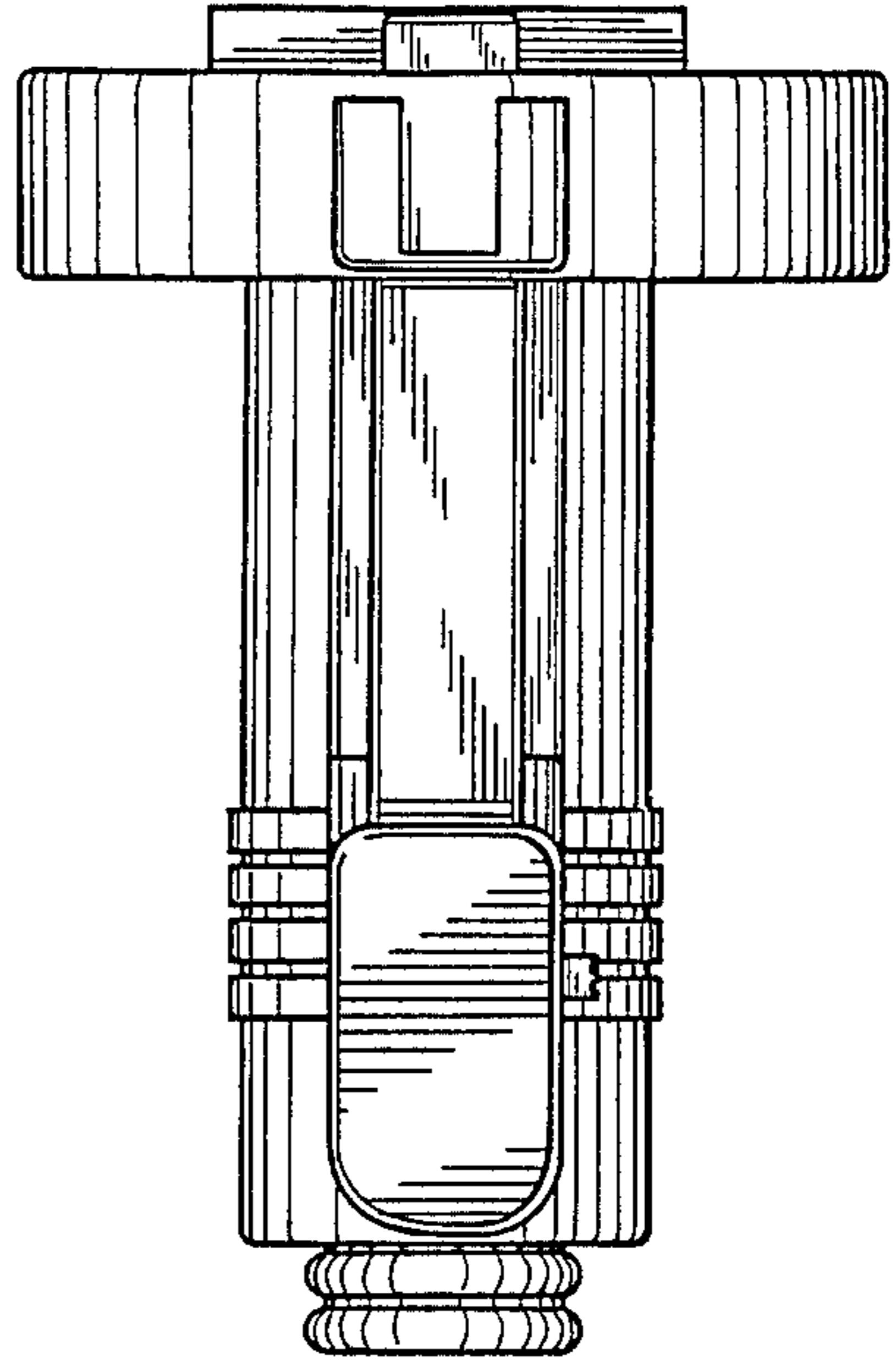


FIG. 6

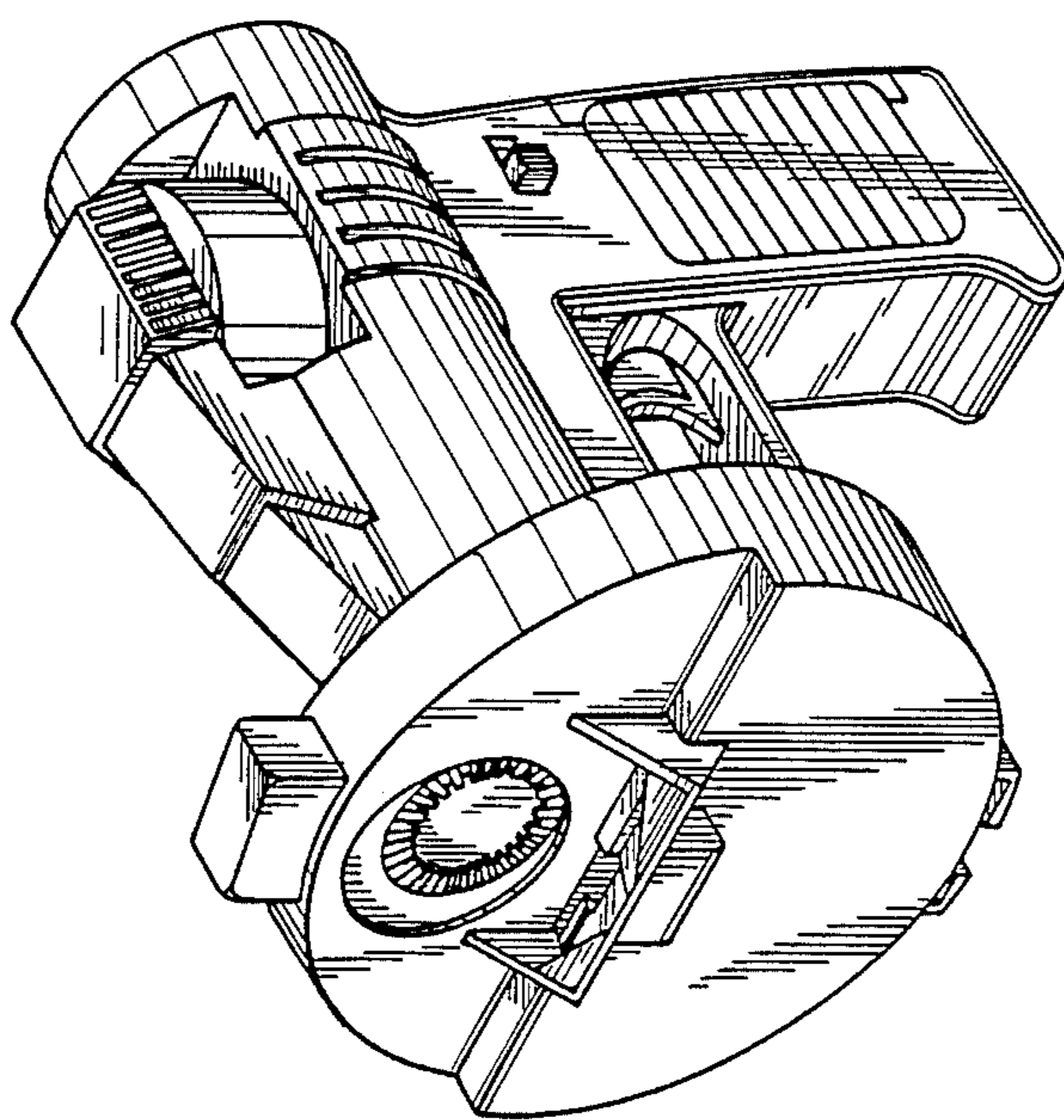


FIG. 7