

# United States Patent [19]

Sakaguchi et al.

[11] Patent Number: **Des. 309,747**

[45] Date of Patent: **\*\* Aug. 7, 1990**

[54] **ELECTRONIC CALCULATOR WITH SOLAR CELL**

[75] Inventors: **Hiroshi Sakaguchi; Tadahiko Saimen,**  
both of Osaka, Japan

[73] Assignee: **Sharp Corporation, Osaka, Japan**

[\*\*] Term: **14 Years**

[21] Appl. No.: **44,451**

[22] Filed: **Apr. 30, 1987**

[30] **Foreign Application Priority Data**

Nov. 5, 1986 [JP] Japan ..... 61-43765

[52] U.S. Cl. .... **D18/7**

[58] Field of Search ..... D18/1, 2, 6, 7, 11,  
D18/12; 240/5 A; 364/706-710

[56] **References Cited**

**U.S. PATENT DOCUMENTS**

D. 263,602 3/1982 Yoshioka et al. .... D18/7

D. 273,393 4/1984 Sakamoto ..... D18/7  
D. 275,770 10/1984 Yamada ..... D18/7  
D. 284,200 6/1986 Hayashi ..... D18/7  
D. 285,934 9/1986 Yoshioka et al. .... D18/7

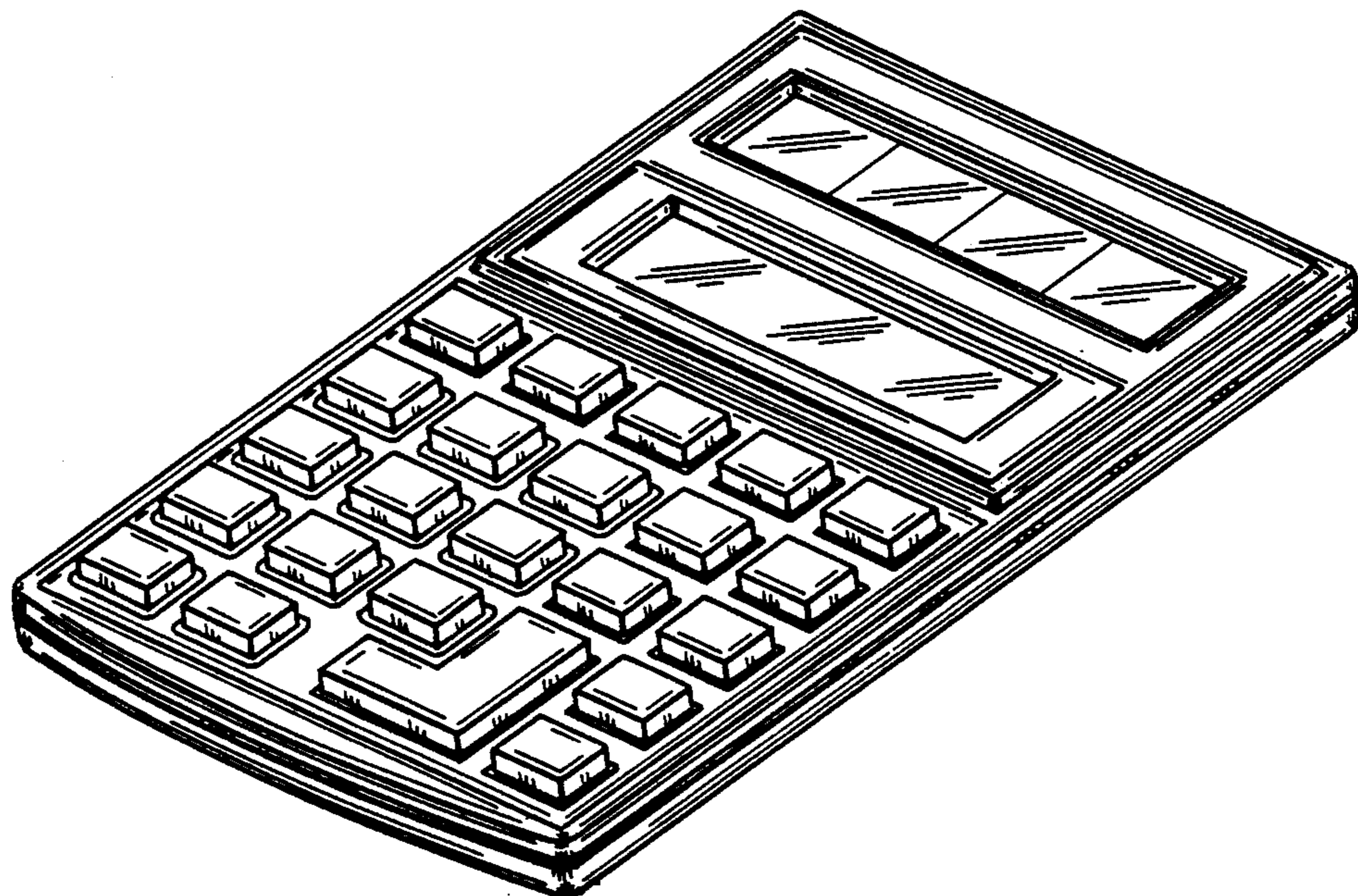
*Primary Examiner*—Nelson C. Holtje  
*Assistant Examiner*—Caron D. Veynar  
*Attorney, Agent, or Firm*—Flehr, Hohbach, Test,  
Albritton & Herbert

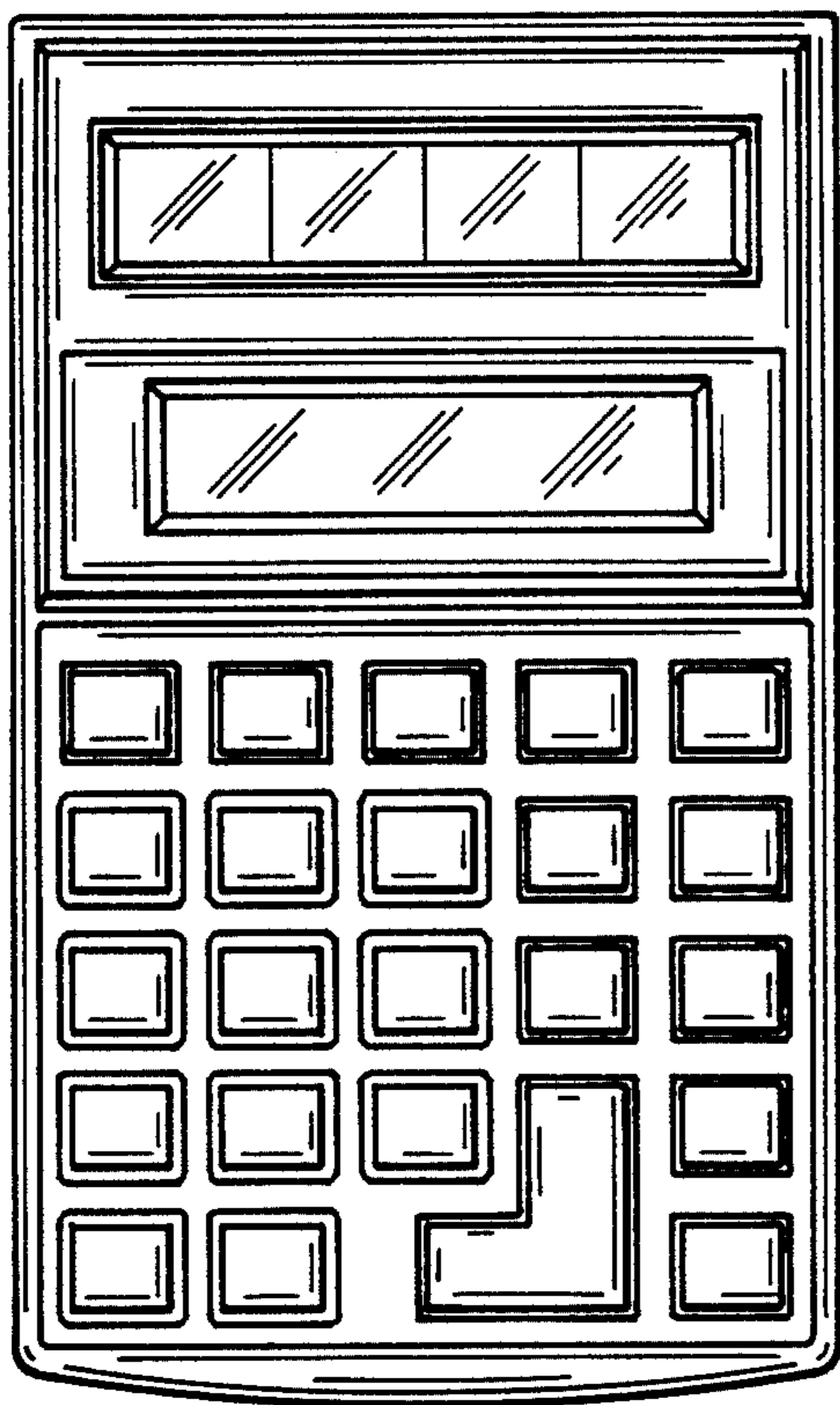
[57] **CLAIM**

The ornamental design for an electronic calculator with solar cell, as shown and described.

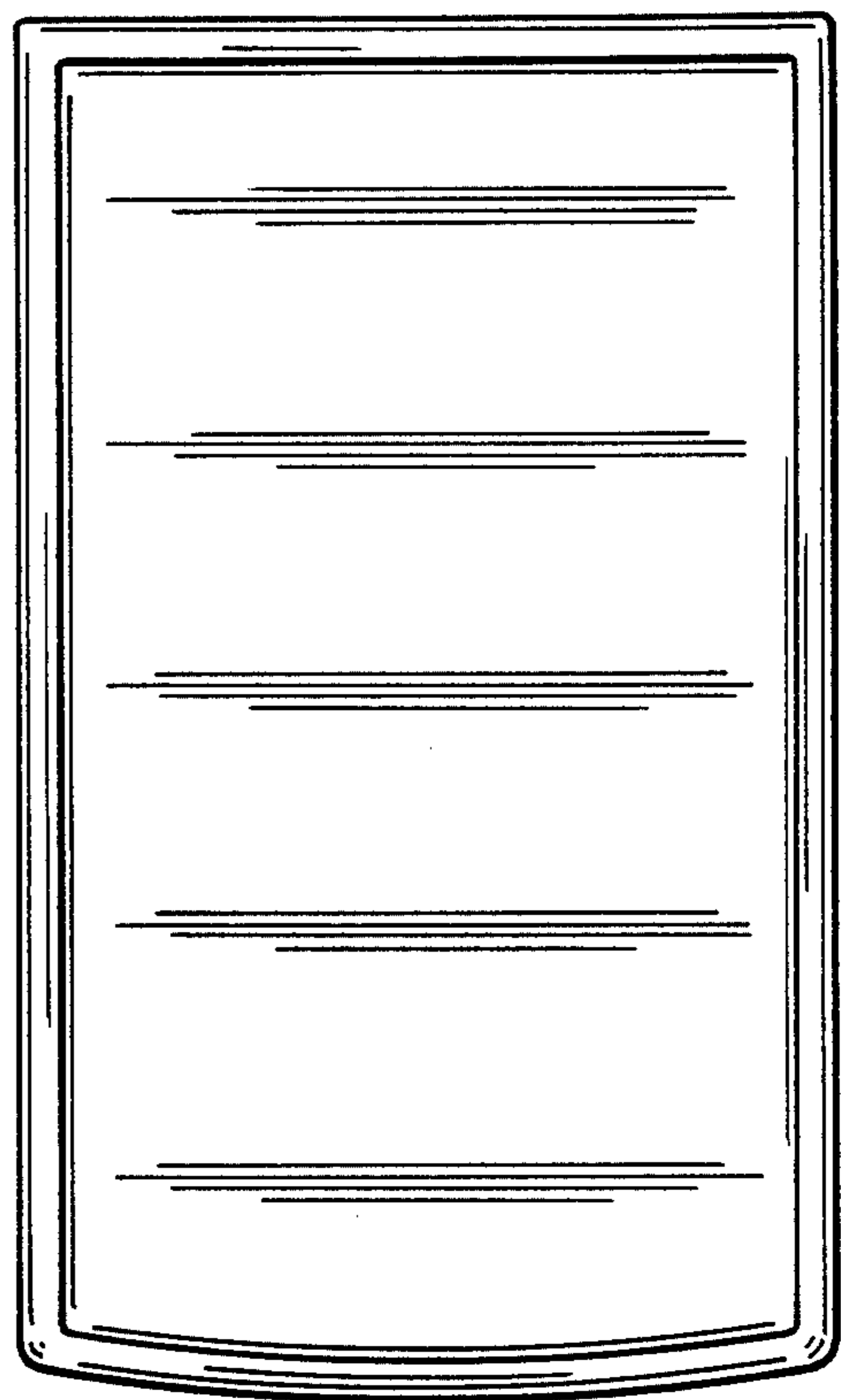
## DESCRIPTION

FIG. 1 is a top plan view of the electronic calculator with solar cell showing our new design; FIG. 2 is a bottom plan view thereof; FIG. 3 is a front elevational view thereof; FIG. 4 is a rear elevational view thereof; FIG. 5 is a right side elevational view thereof; FIG. 6 is a left side elevational view thereof; and FIG. 7 is a right front perspective view thereof.





FIG\_1



FIG\_2



FIG\_3



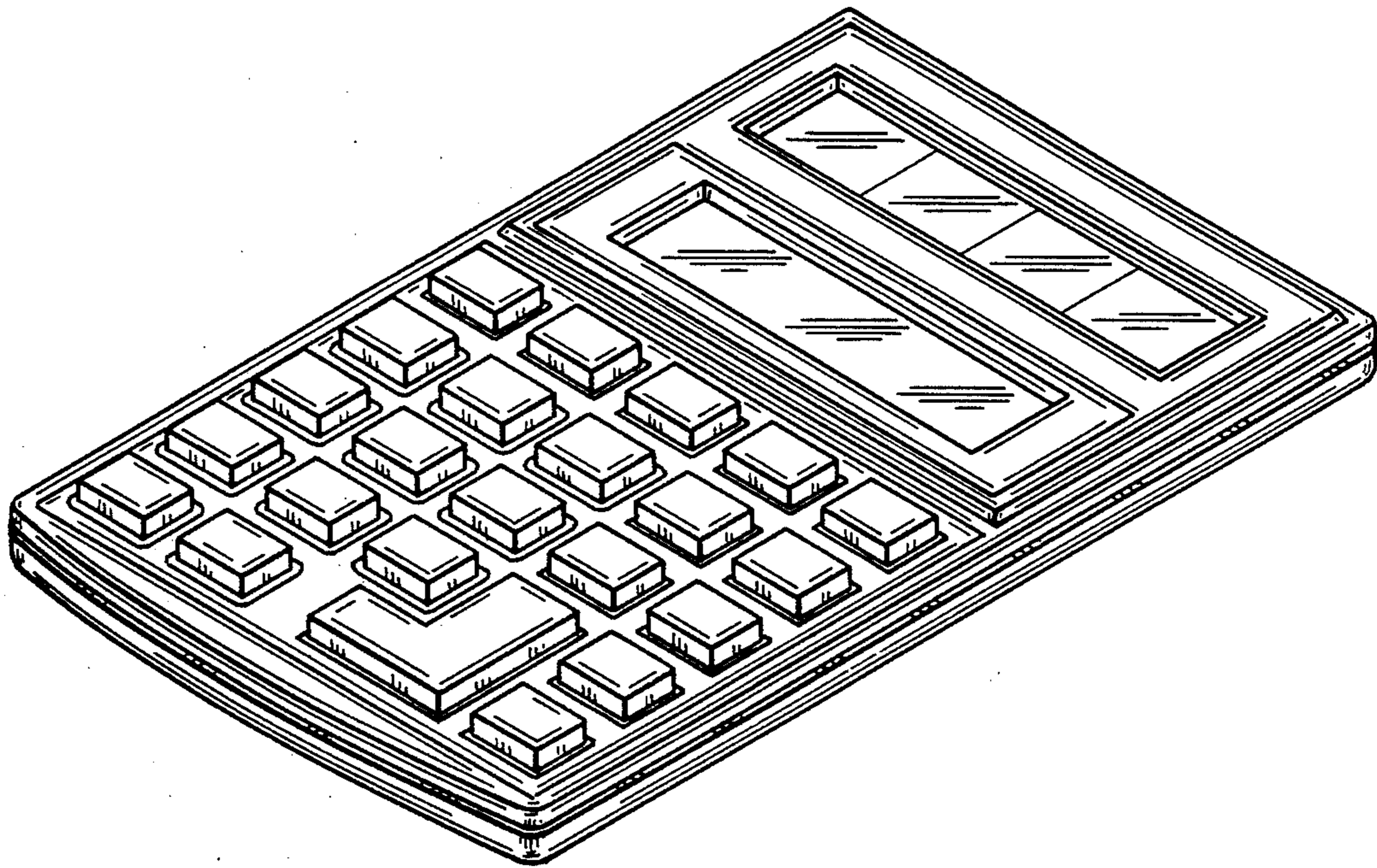
FIG\_4



FIG\_5



FIG\_6



*FIG\_7*