

[54] **ELECTRIC GUITAR BODY**

[76] **Inventor: Michael M. Matheny, 4531 Heyer Ave., Castro Valley, Calif. 94546**

[\*\*] **Term: 14 Years**

[21] **Appl. No.: 118,633**

[22] **Filed: Nov. 9, 1987**

[52] **U.S. Cl. .... D17/20**

[58] **Field of Search .... D17/14, 18, 19, 20; 84/267, 291, 293, 723, 726, 731, 733, 734**

[56] **References Cited**

**U.S. PATENT DOCUMENTS**

D. 281,981	12/1985	Peavey	.....	D17/20
D. 282,064	1/1986	Peavey	.....	D17/20
D. 293,118	12/1987	Rose	.....	D17/19
D. 293,252	12/1987	Powers	.....	D17/20
D. 296,704	7/1988	Goins	.....	D17/18

**OTHER PUBLICATIONS**

Guitar Player, July 1986 p. 138 (Guitar in the center of the page.

*Primary Examiner*—Bernard Ansher  
*Assistant Examiner*—Adir Aronovich  
*Attorney, Agent, or Firm*—Linval B. Castle

[57] **CLAIM**

The ornamental design for an electric guitar body, as shown.

**DESCRIPTION**

FIG. 1 is a top plan view of an electric guitar body showing my new design;  
FIG. 2 is a front elevational view thereof;  
FIG. 3 is a bottom plan view thereof;  
FIG. 4 is a rear elevational view thereof;  
FIG. 5 is a right side elevational view thereof;  
FIG. 6 is a left side elevational view thereof;  
FIG. 7 is a sectional view taken along the lines 7—7 of FIG. 1;  
FIG. 8 is a sectional view taken along the lines 8—8 of FIG. 1; and  
FIG. 9 is a sectional view taken along the lines 9—9 of FIG. 1.

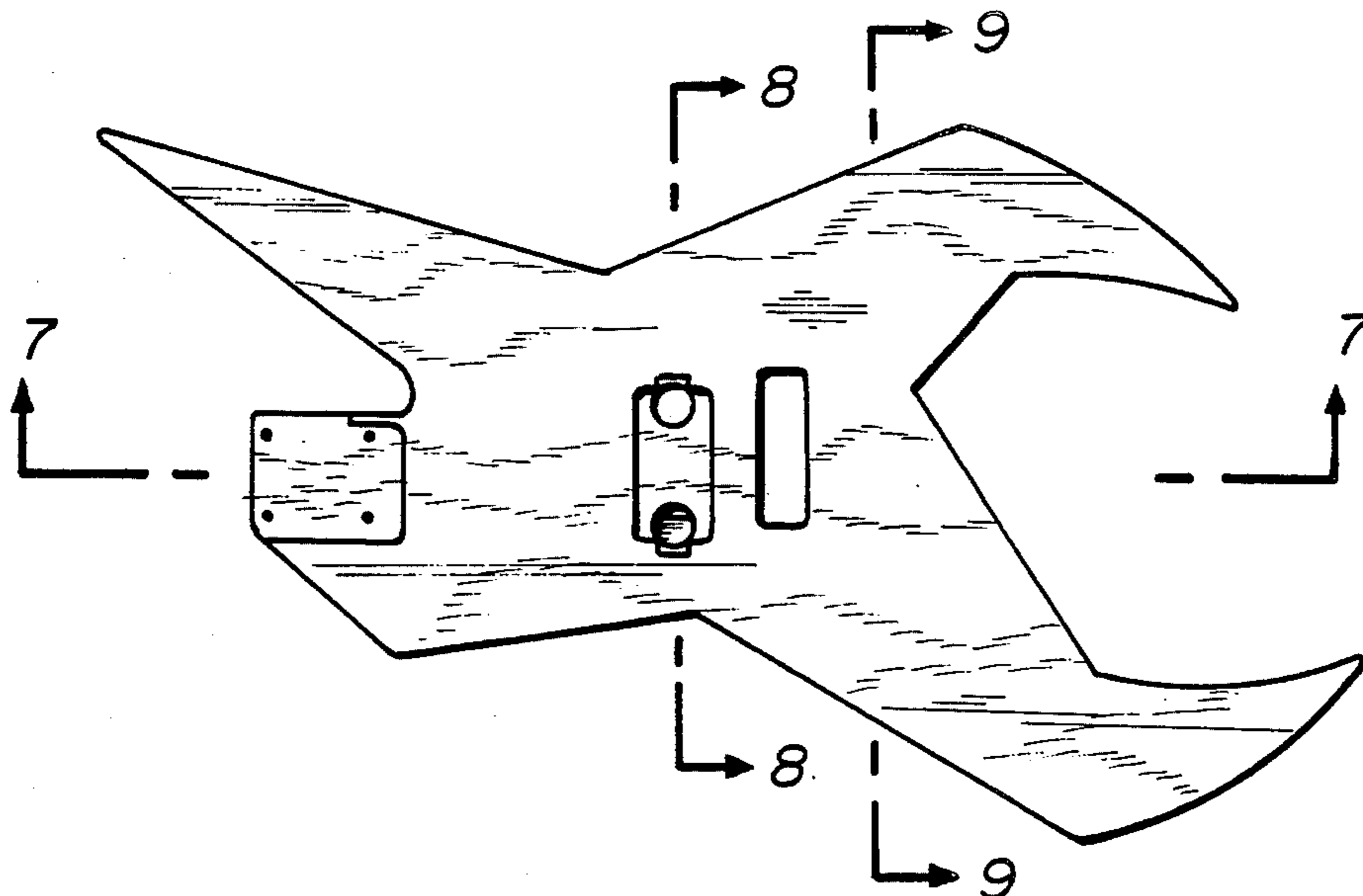


FIG. 1

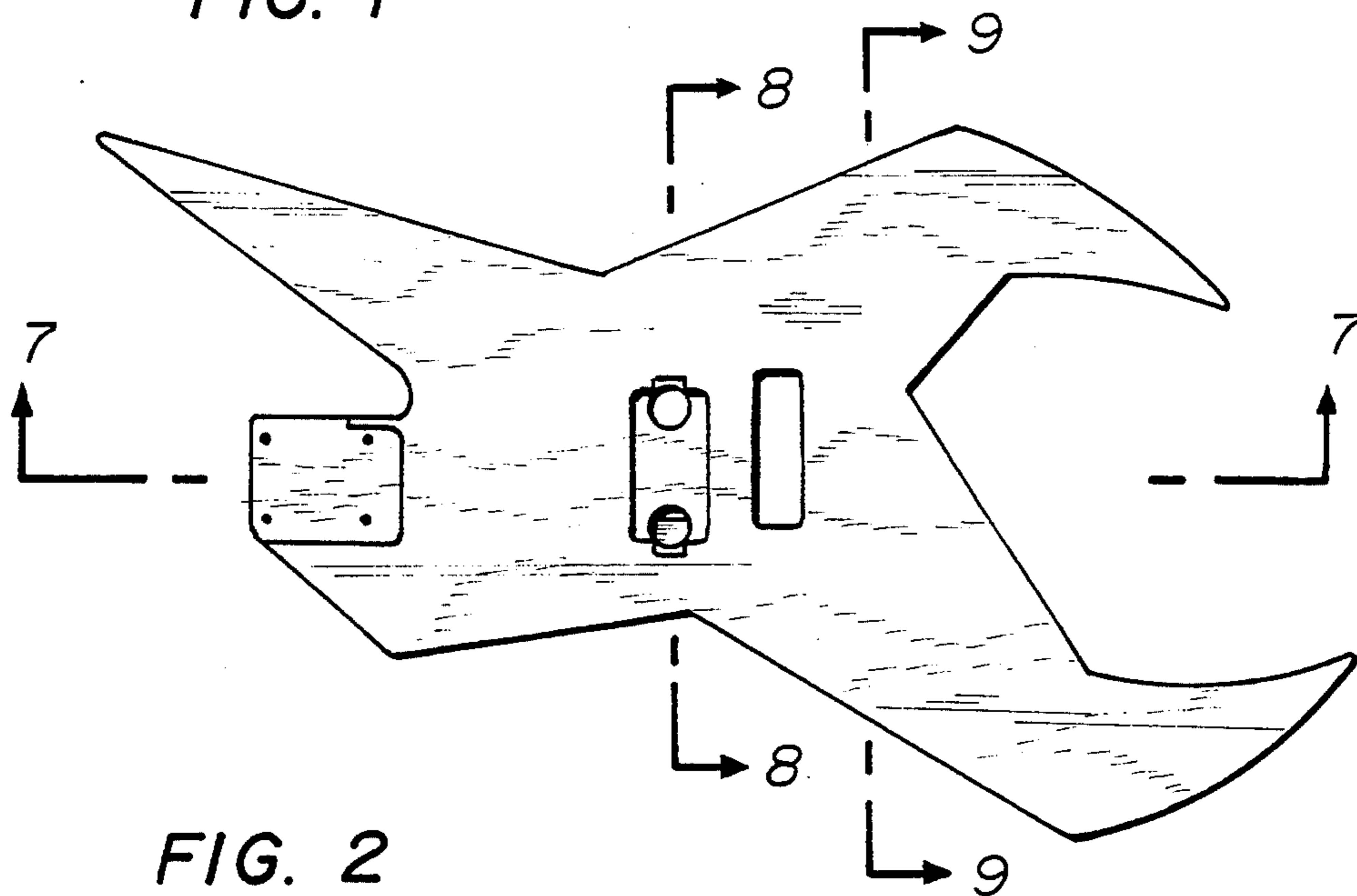


FIG. 2

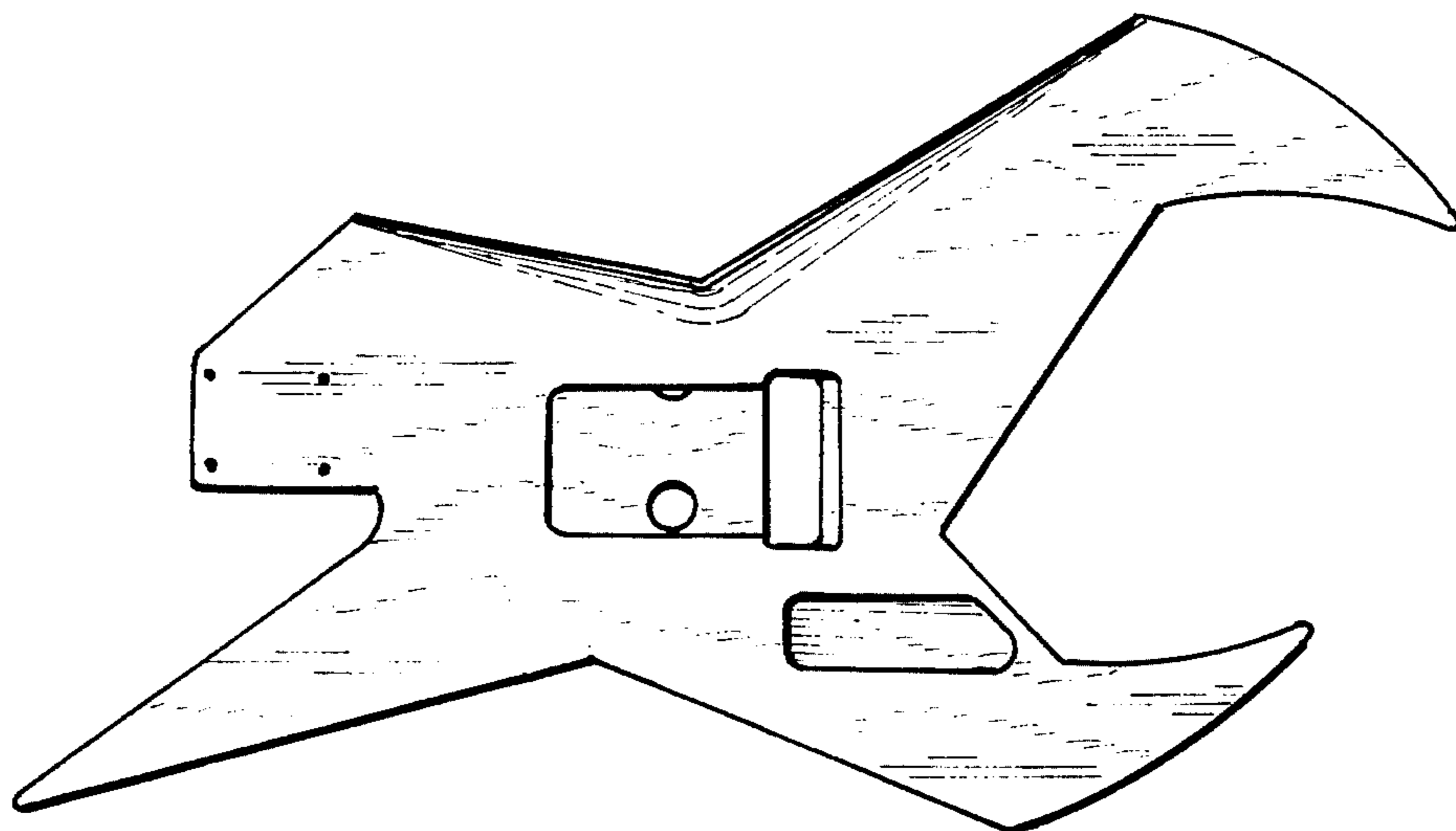
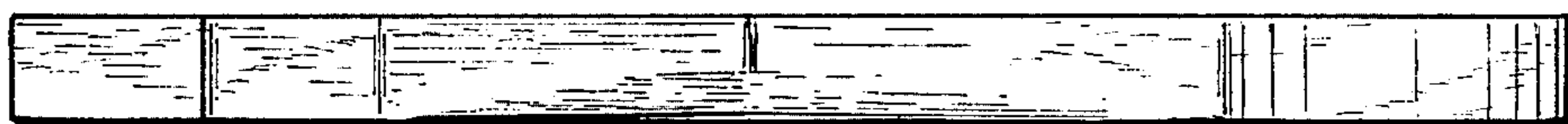


FIG. 3

FIG. 4

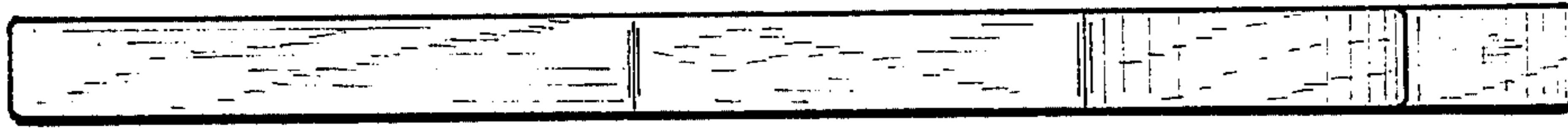


FIG. 5

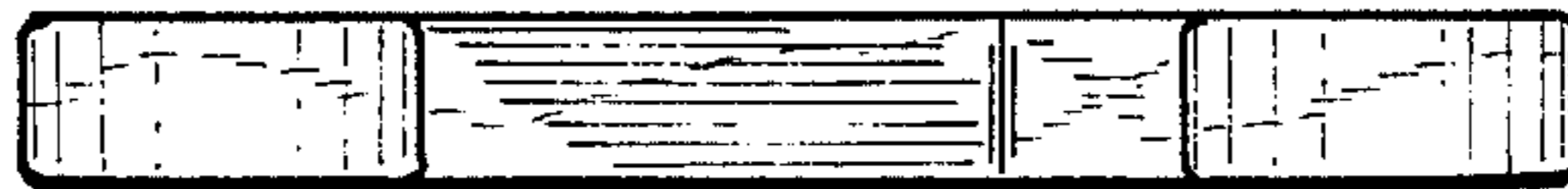


FIG. 6



FIG. 7



FIG. 8

FIG. 9

