

[54] MINIATURE CAMERA

[75] Inventor: Kwok Y. Chan, North Point, Hong Kong

[73] Assignee: W. Haking Enterprises Limited, North Point, Hong Kong

[\*\*] Term: 14 Years

[21] Appl. No.: 895,742

[22] Filed: Aug. 12, 1986

[52] U.S. Cl. .... D16/200

[58] Field of Search ..... D16/200, 208, 209, 218, D16/219, 220; 354/83, 84, 85, 86, 149.11, 152, 173.1, 173.11, 288, 187

[56] References Cited

U.S. PATENT DOCUMENTS

D. 217,304	4/1970	Doblin .....	D16/218
D. 233,550	5/1972	Camuso .....	D16/218
D. 287,976	1/1987	Nakazawa et al. ....	D16/211
D. 295,526	5/1988	Baba .....	D16/218
3,605,591	9/1971	Rigolini et al. ....	D16/209
3,938,170	2/1976	Winkler et al. ....	354/187

Primary Examiner—Bernard Ansher  
Assistant Examiner—Adir Aronovich  
Attorney, Agent, or Firm—Wallenstein, Wagner & Hattis, Ltd.

[57] CLAIM

The ornamental design for miniature camera, as shown and described.

DESCRIPTION

FIG. 1 is a front perspective view of a miniature camera, showing my new design;  
FIG. 2 is a front elevational view;  
FIG. 3 is a top plan view;  
FIG. 4 is a bottom plan view;  
FIG. 5 is a rear elevational view;  
FIG. 6 is a right side elevational view thereof;  
FIG. 7 is an opposite side elevational view;  
FIG. 8 is a perspective view of a second modified embodiment illustrated in FIG. 1; and  
FIG. 9 is a perspective view similar to FIG. 8 illustrating the view finder in a horizontal position.  
The broken lines representing the film cartridge are shown for illustrative purposes only.

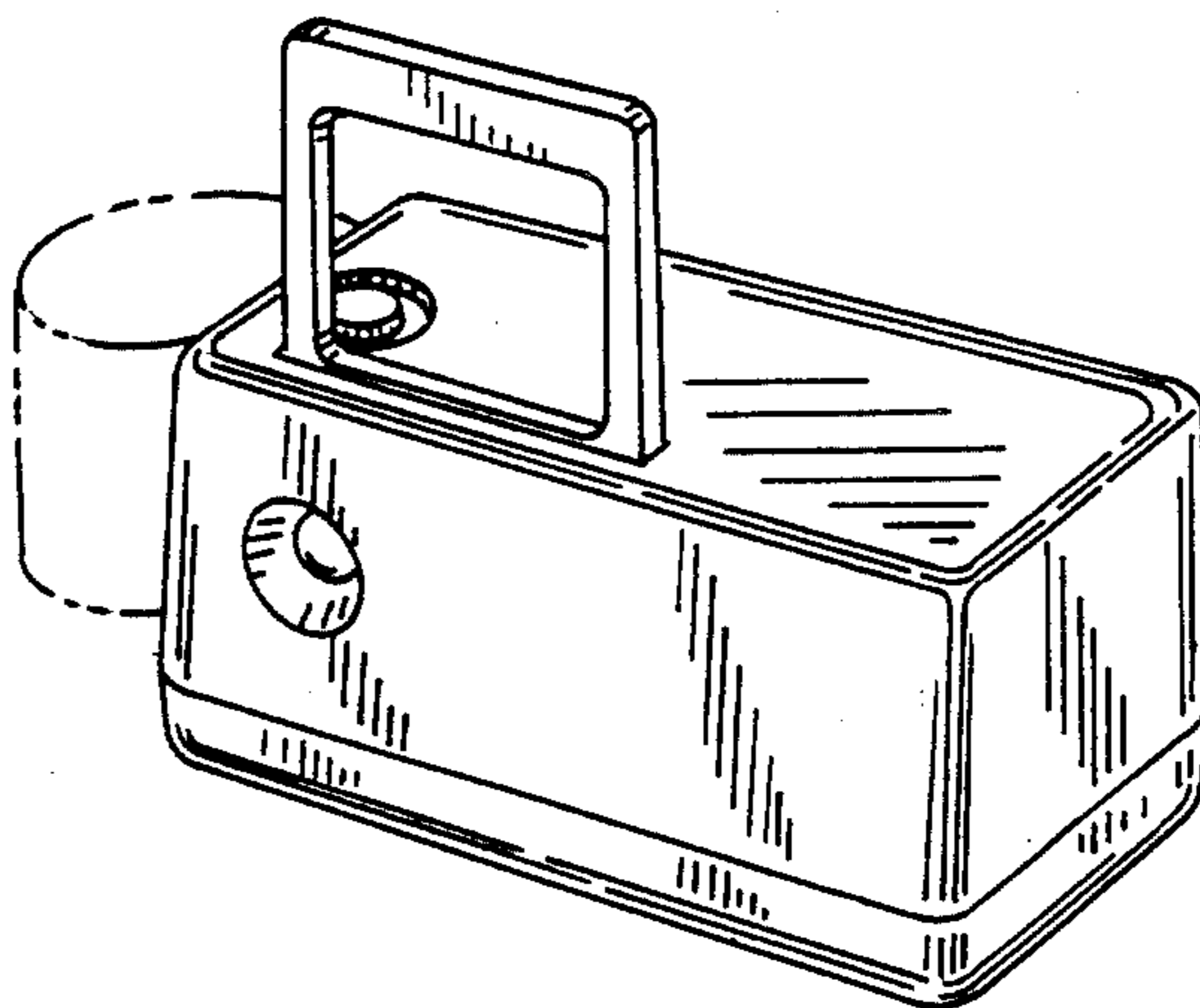


FIG-1-

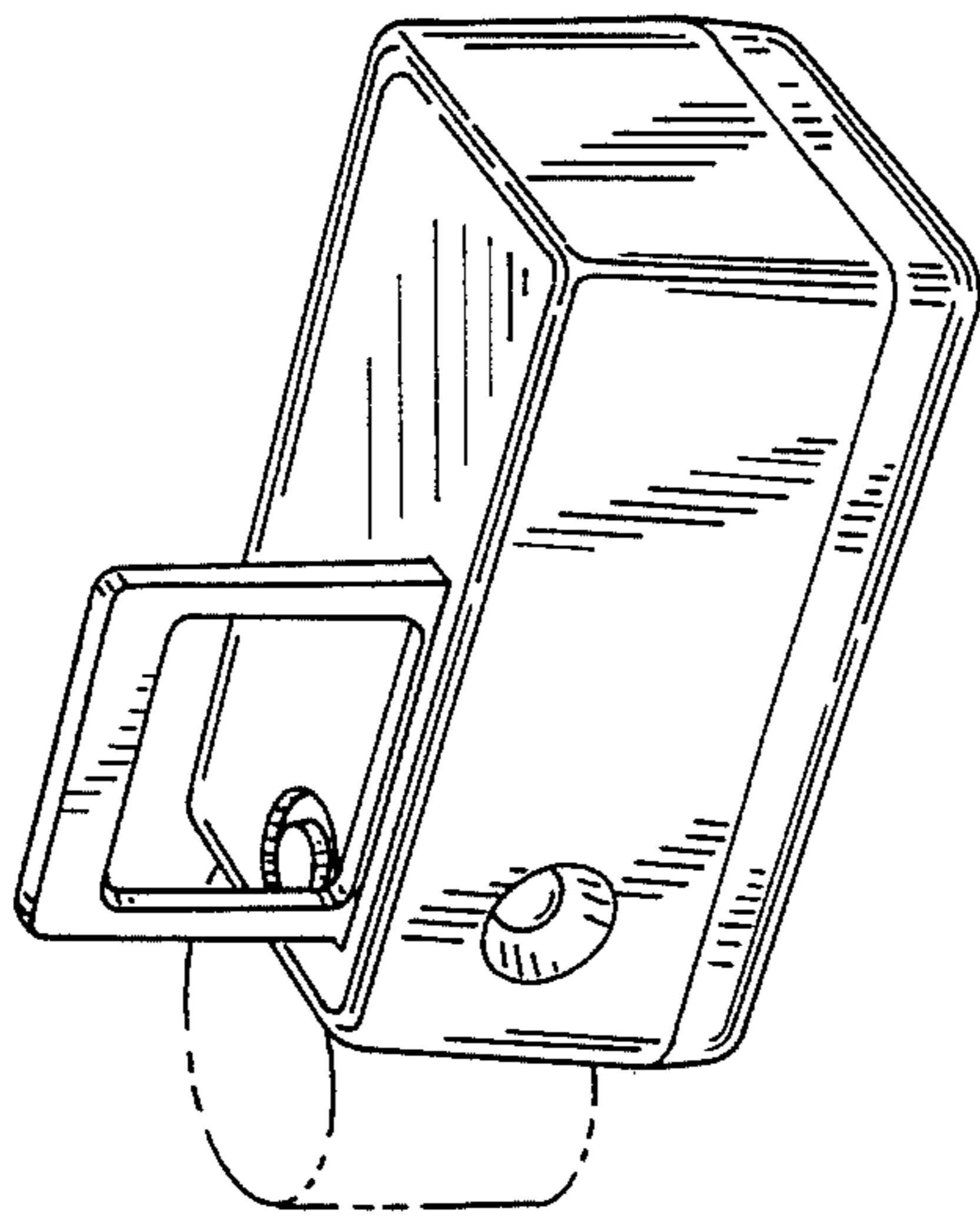


FIG-2-

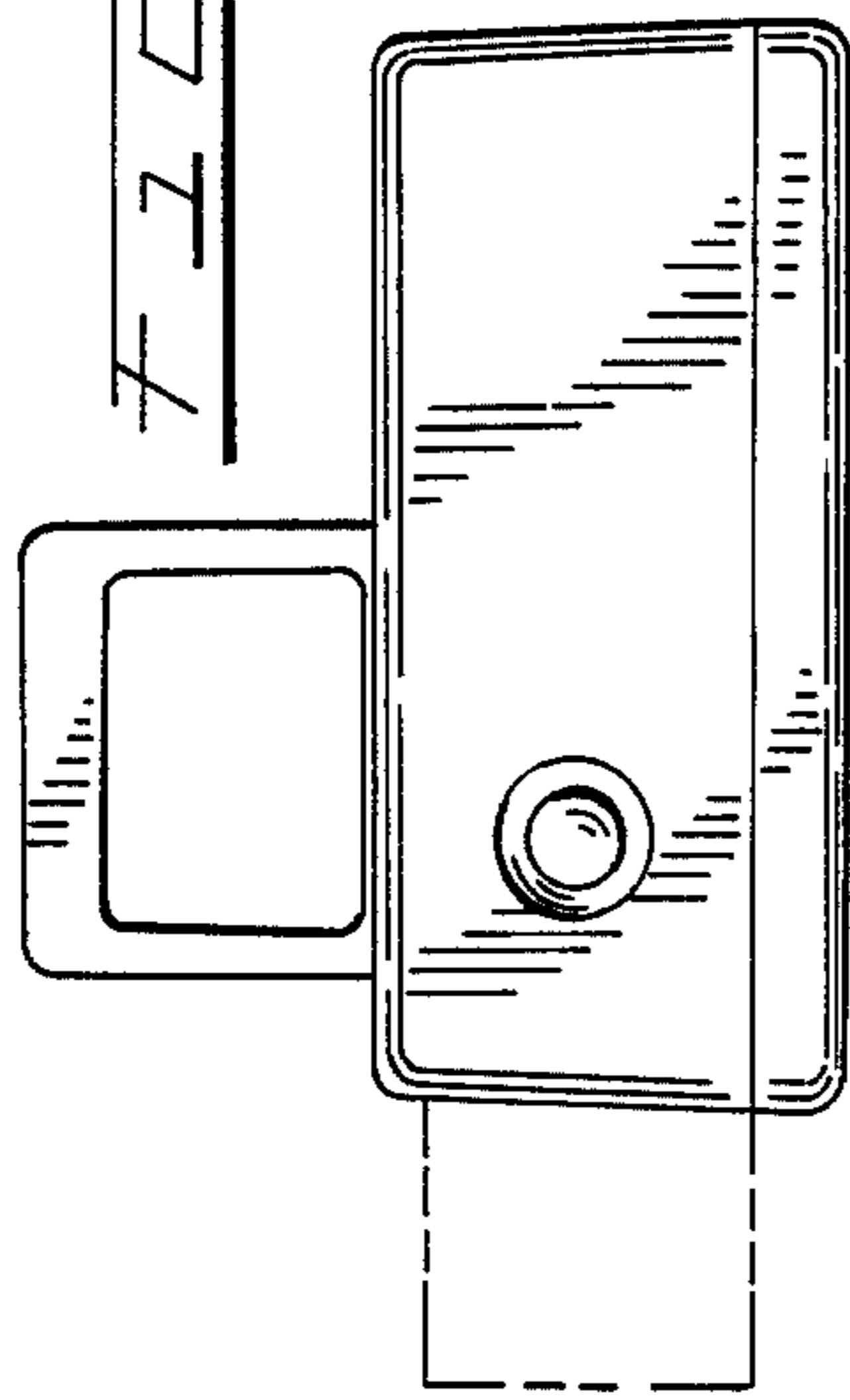


FIG-6-

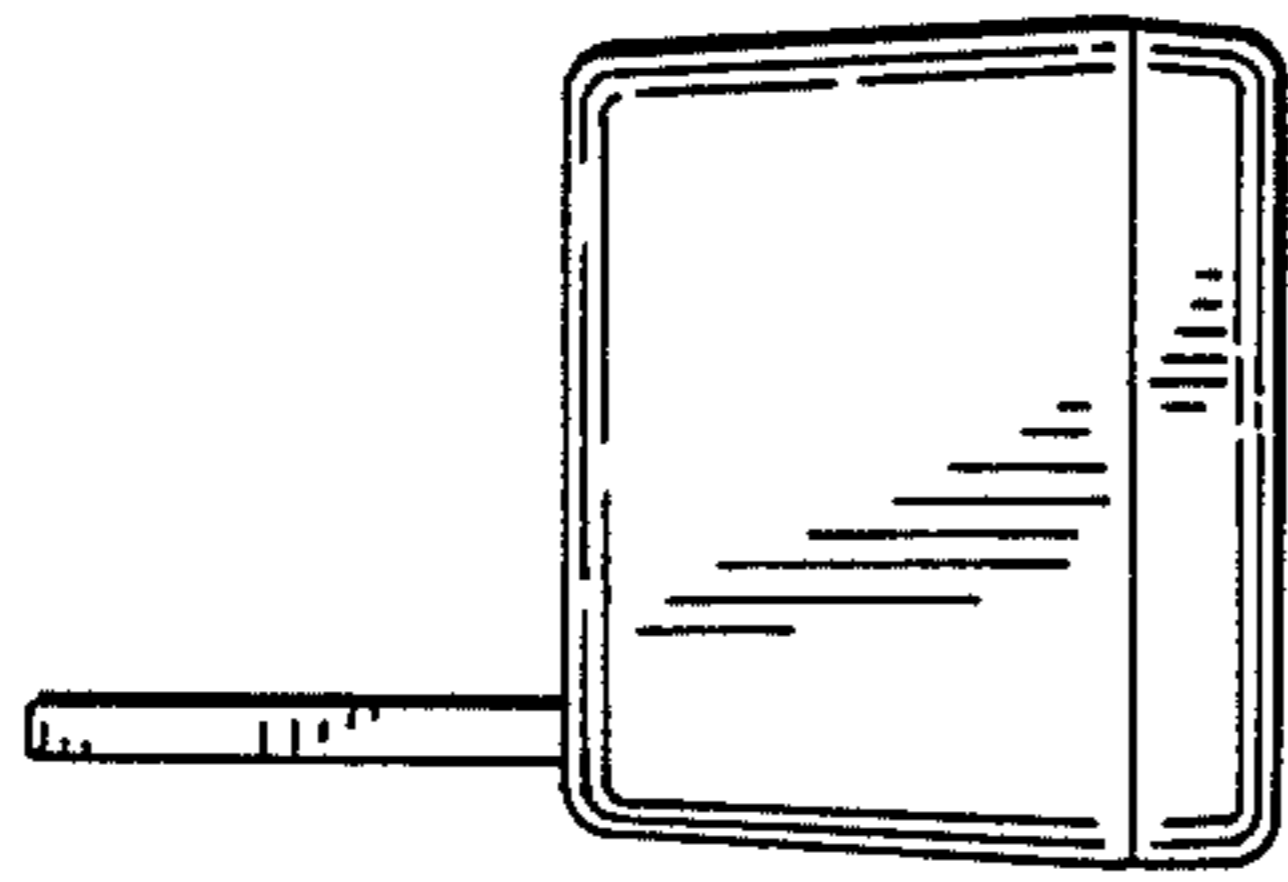


FIG-4-

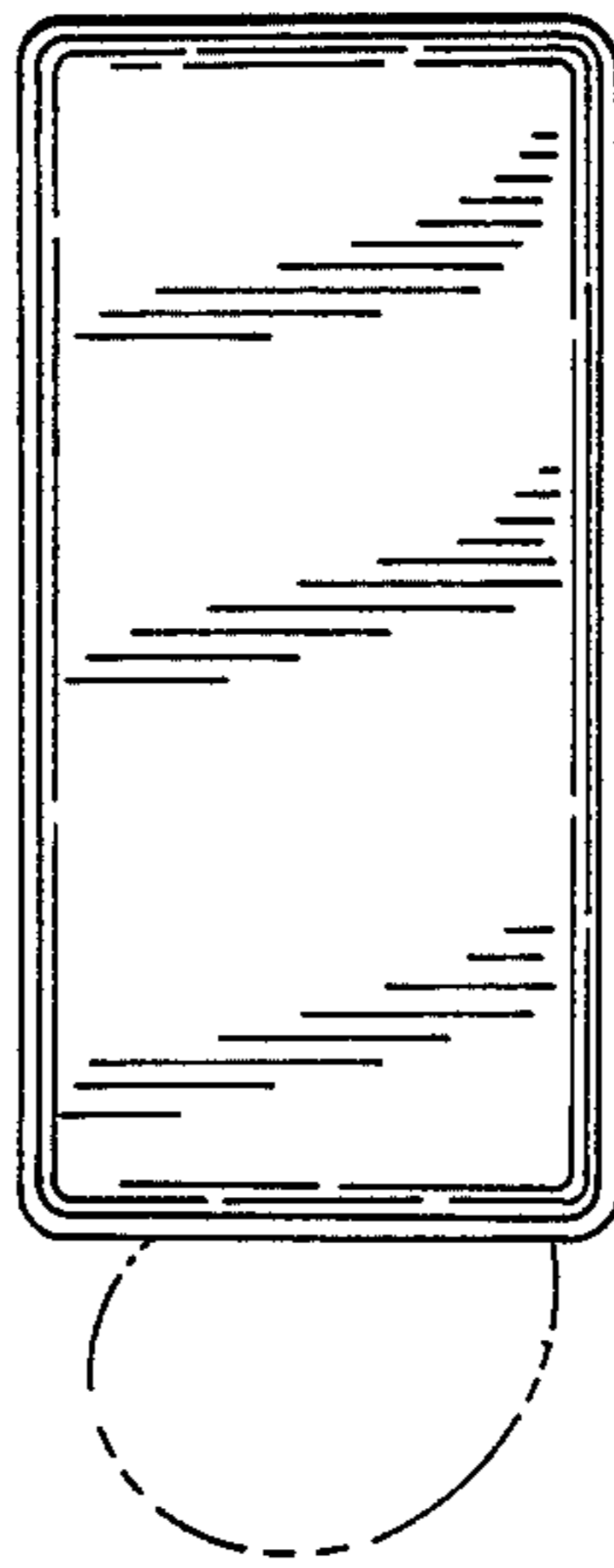


FIG-3-

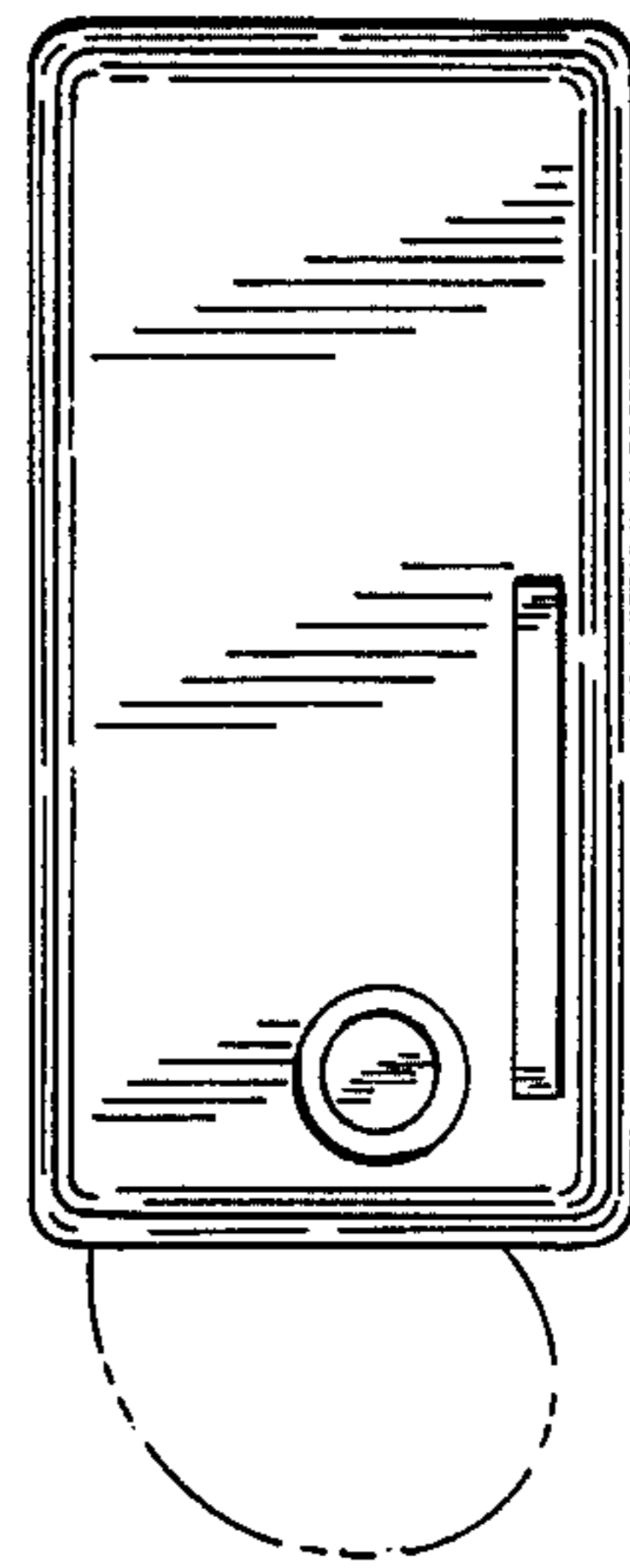


FIG-5-

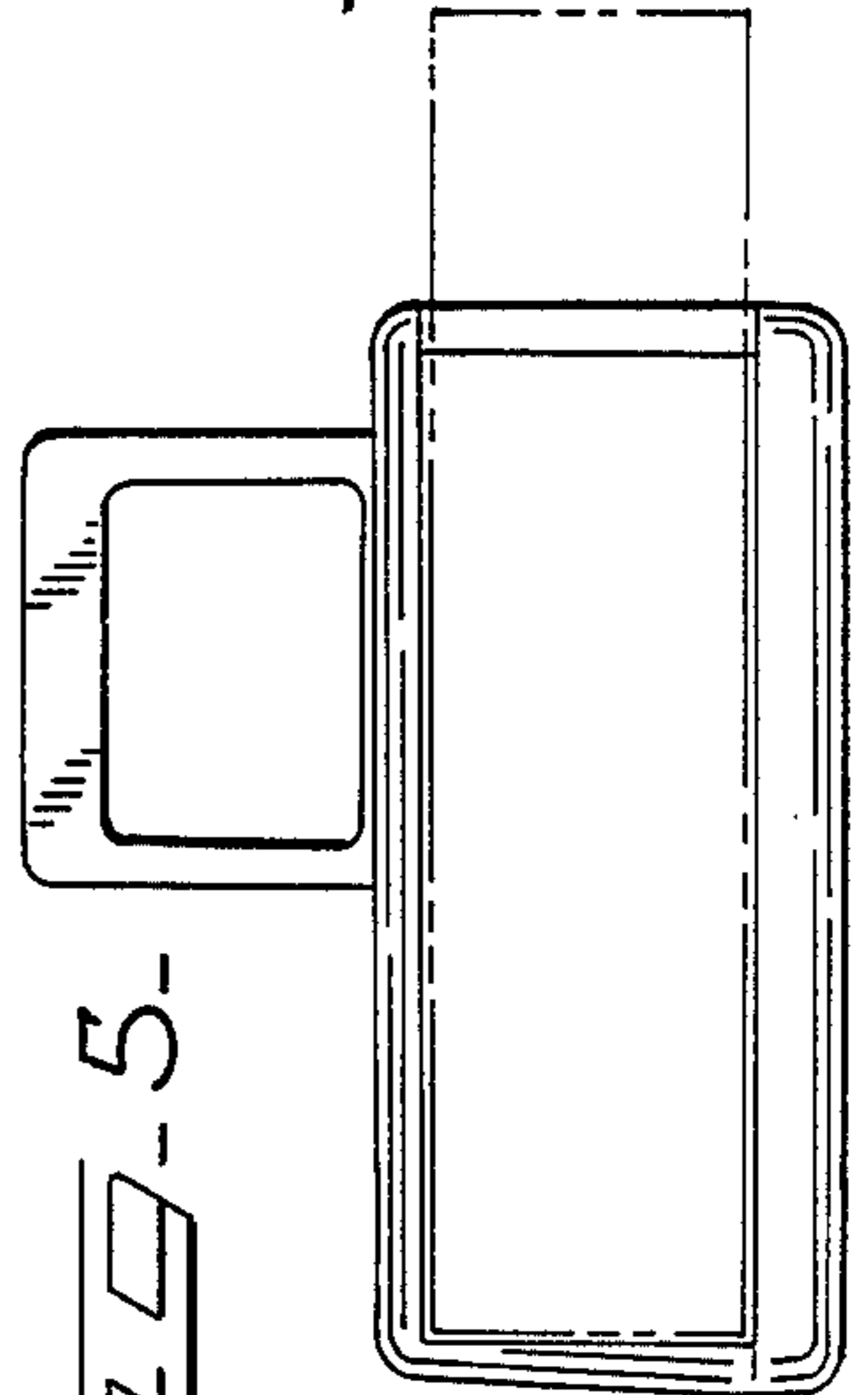
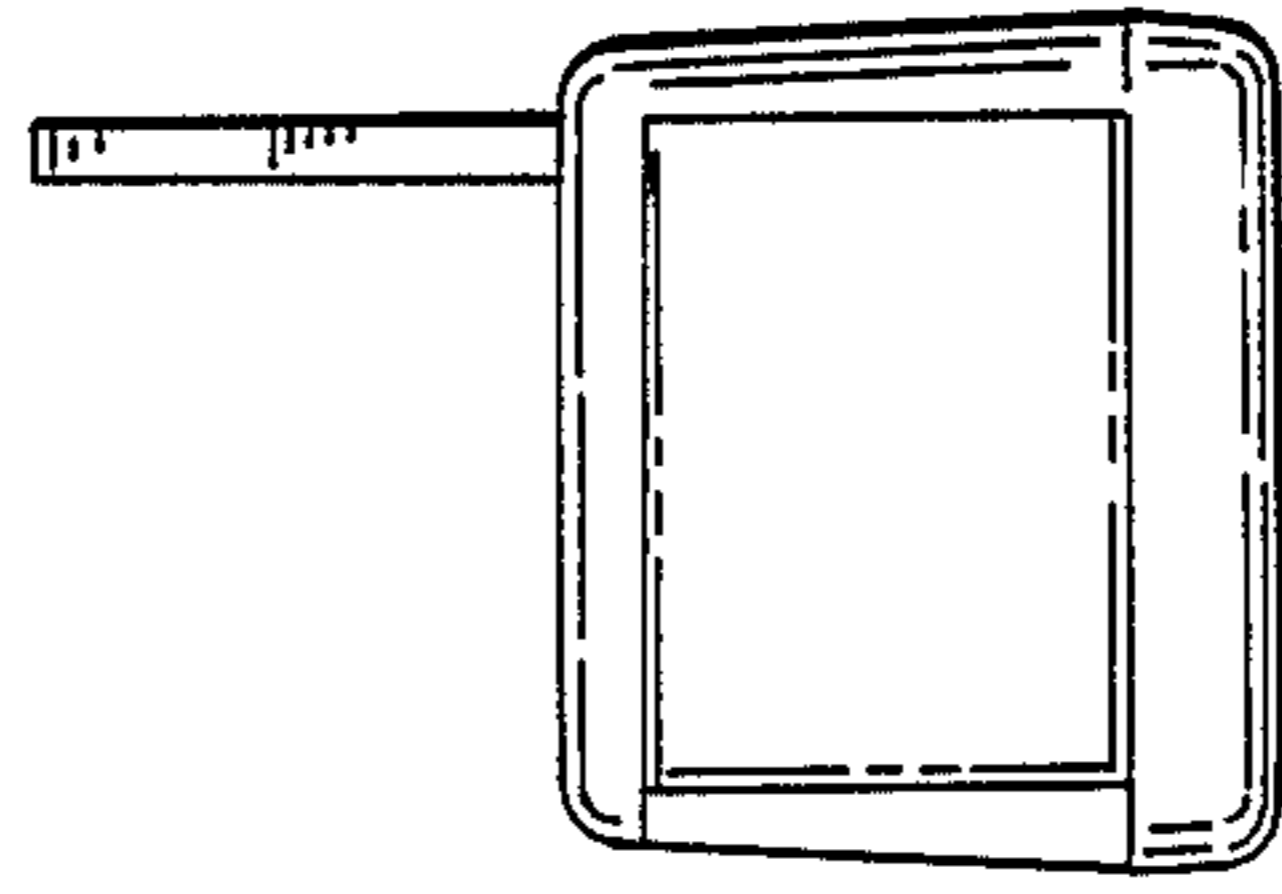


FIG-7-



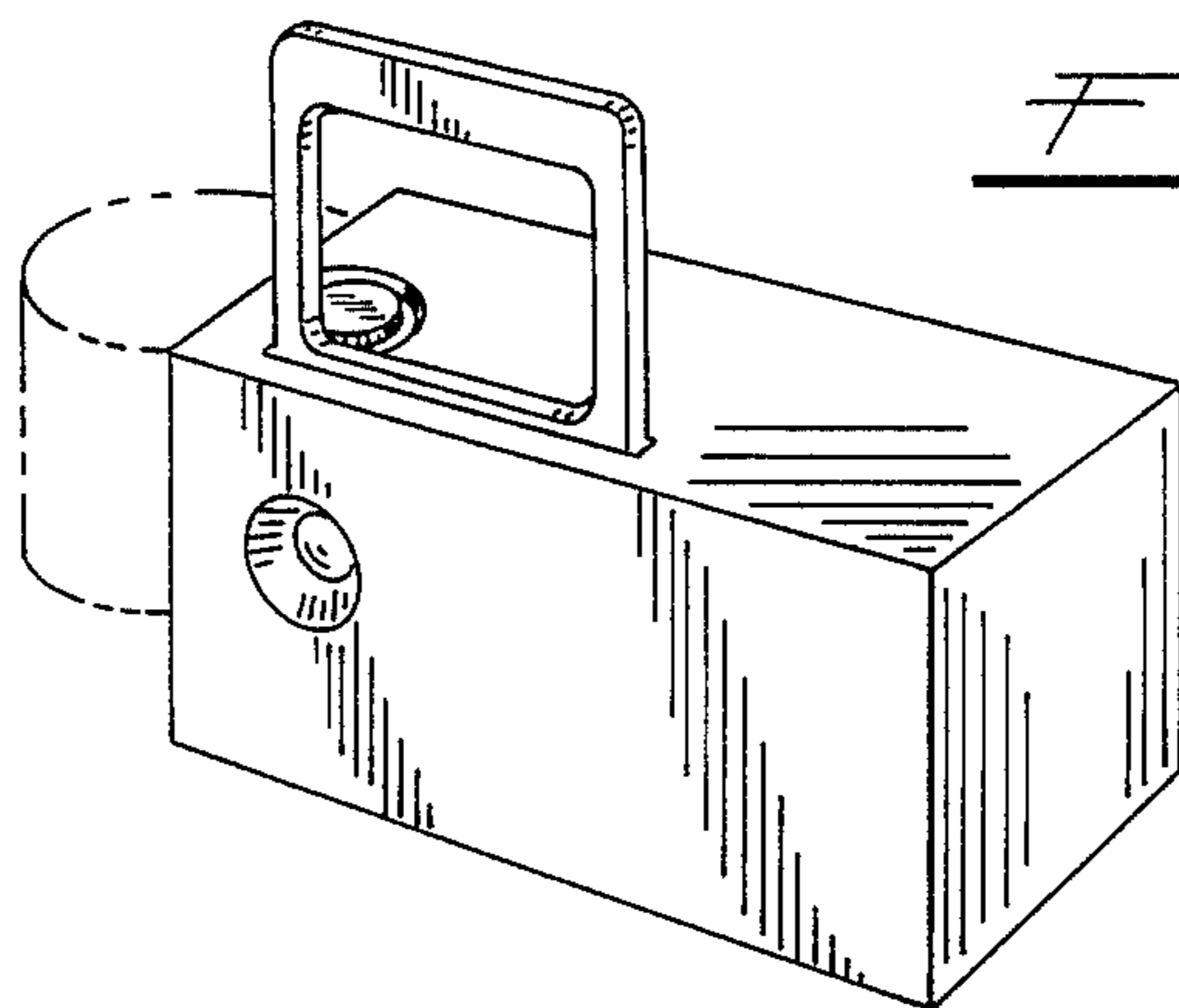


FIG. 8.

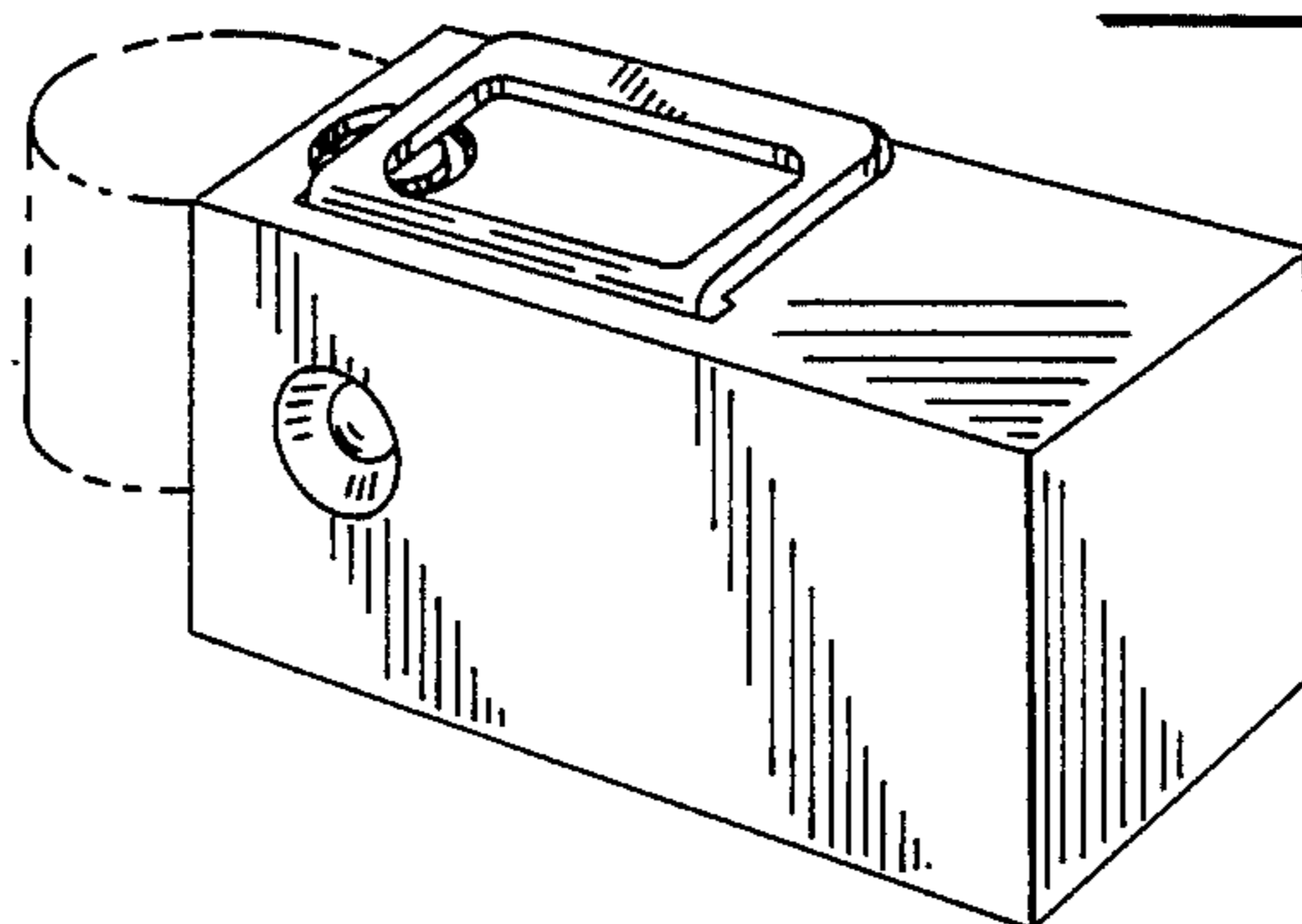


FIG. 9.